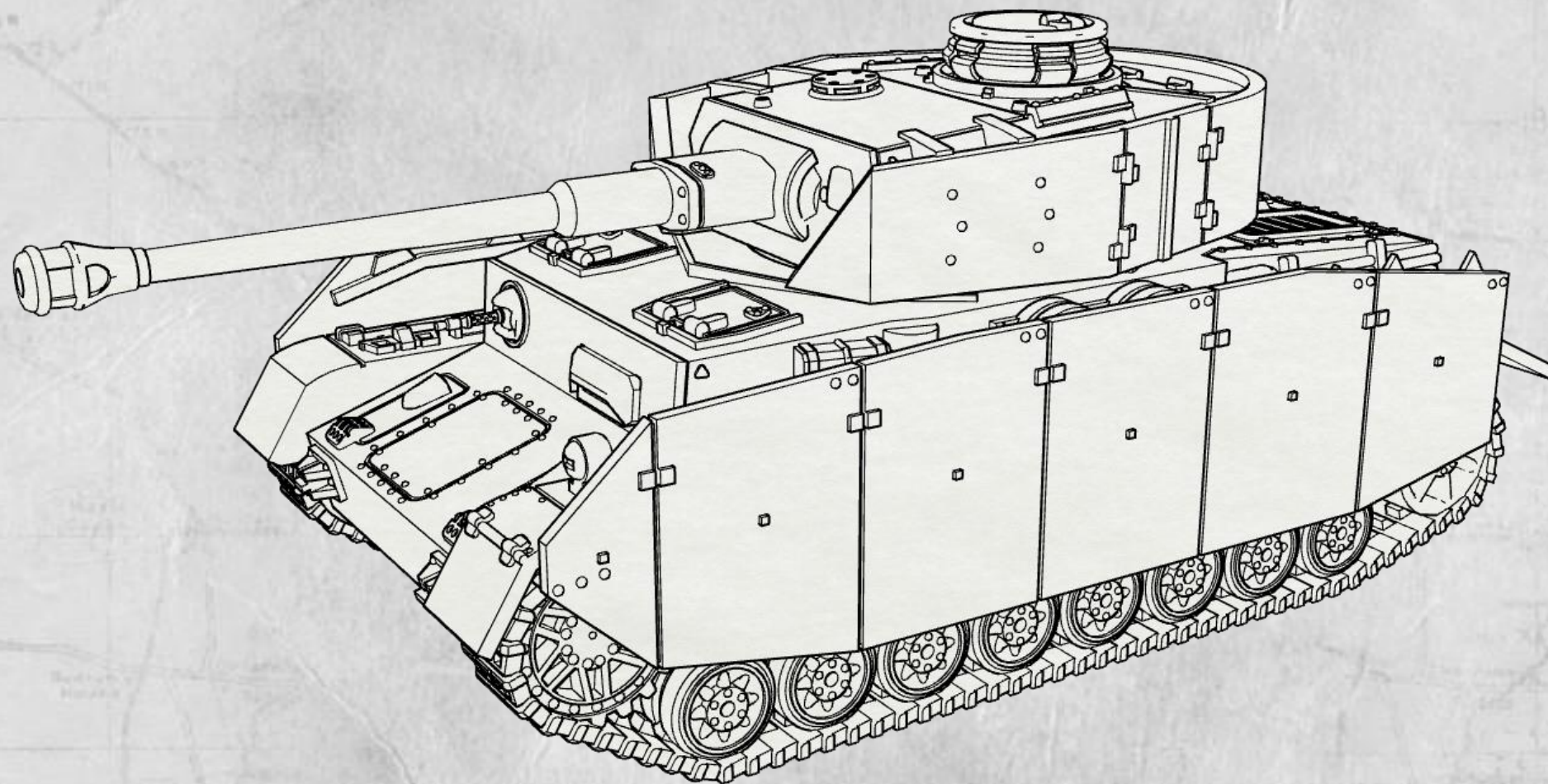
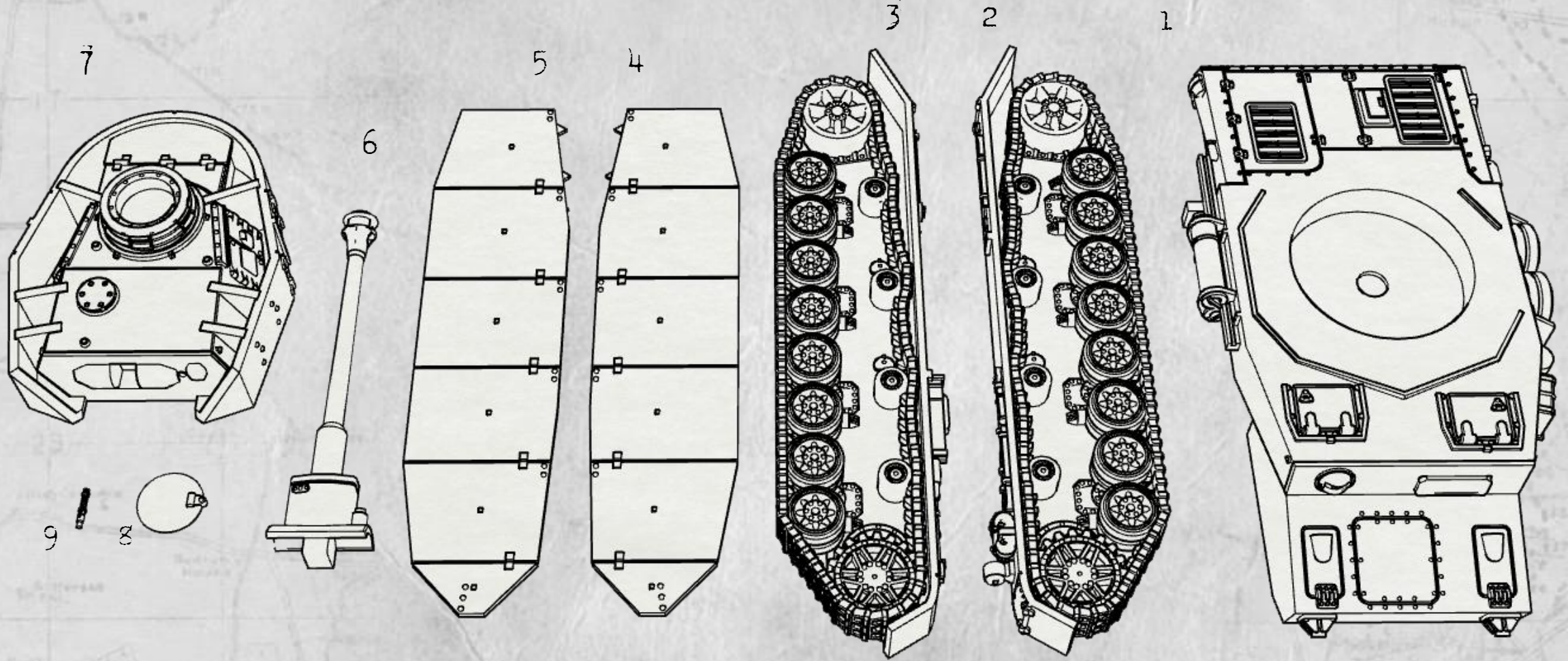


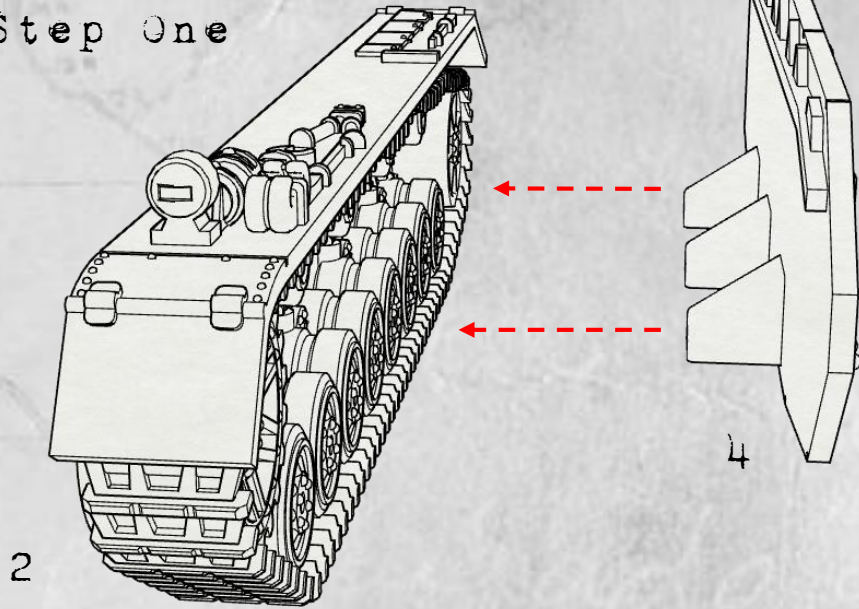
Panzer IV H Assembly Instructions





Trench Worx

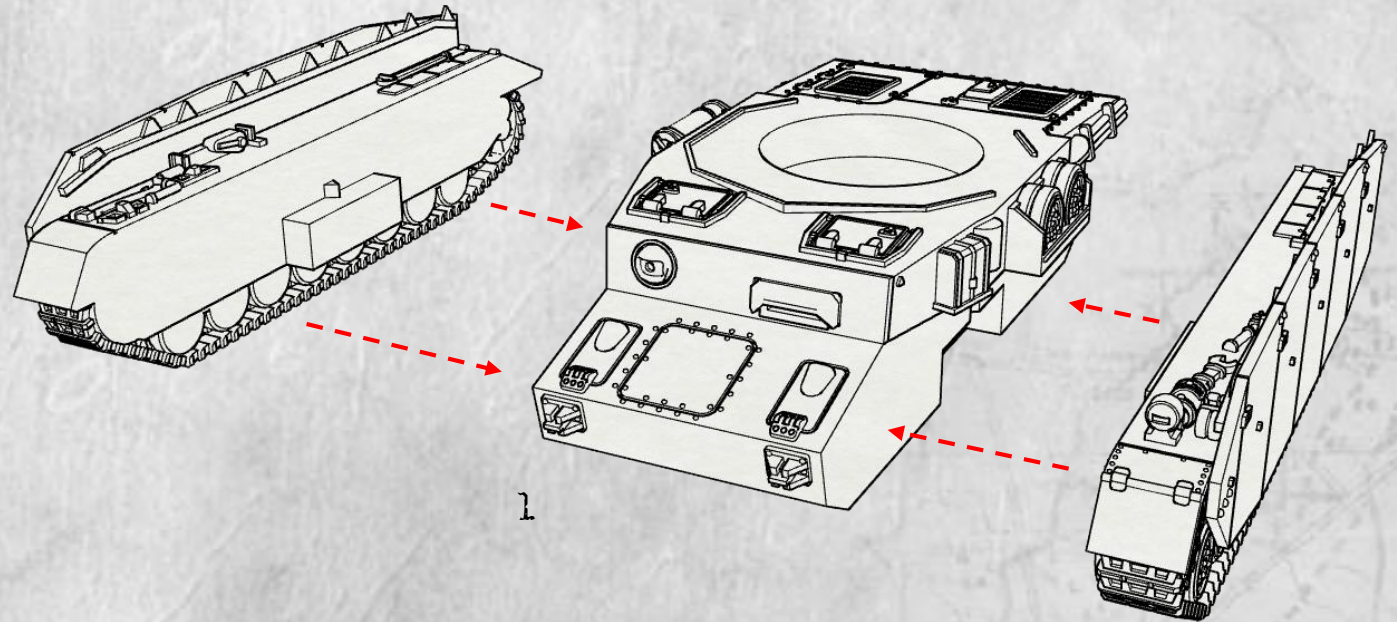
Step One



We recommend you sand the connecting points before gluing the parts in place. This will make for a stronger bond.

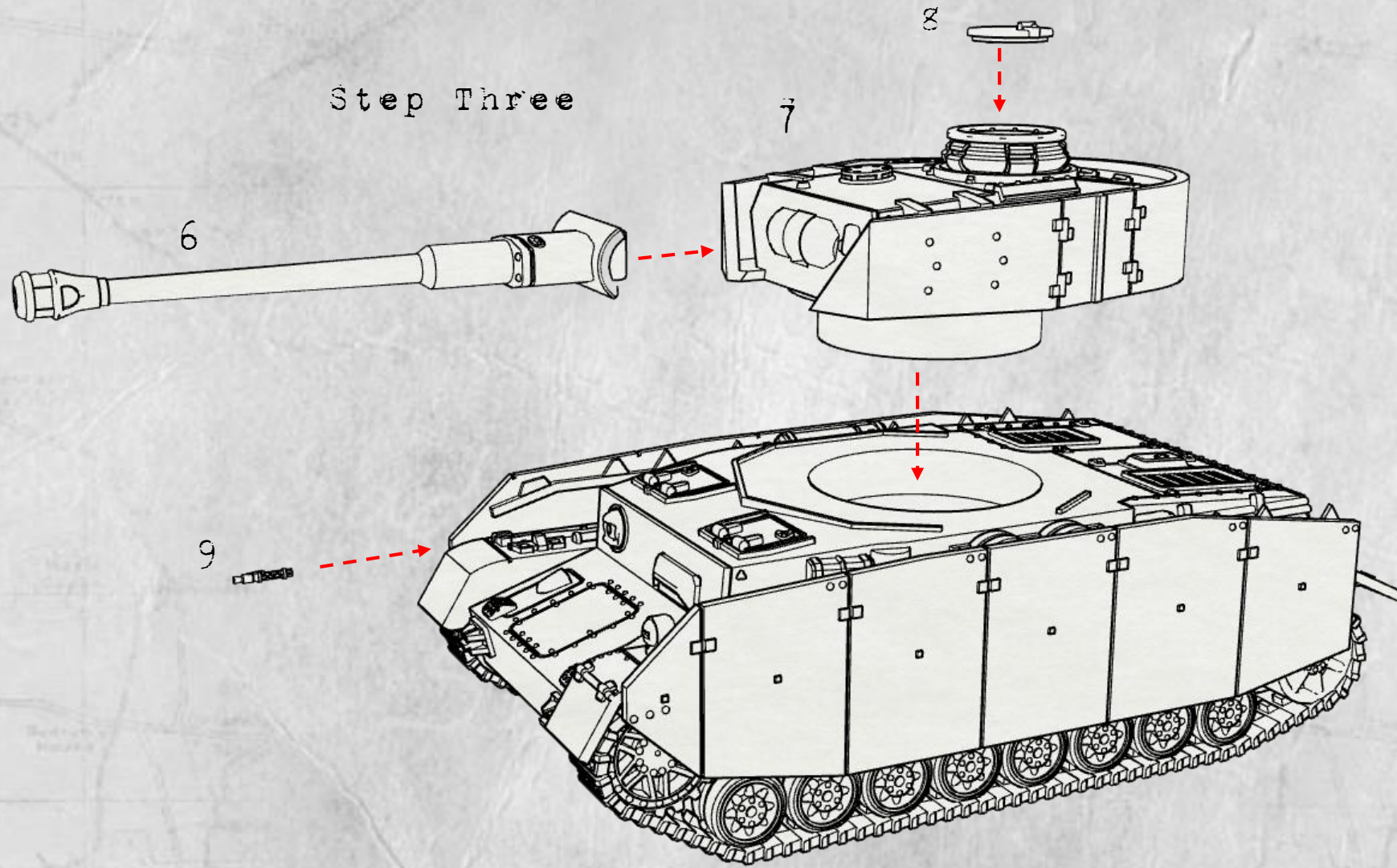
Repeat step one with the right track and shurzen. (parts 3 & 5)

Step Two



Trench Work

Step Three



Trench Worx