

UNVEWK42D4WN-2TBLWHT

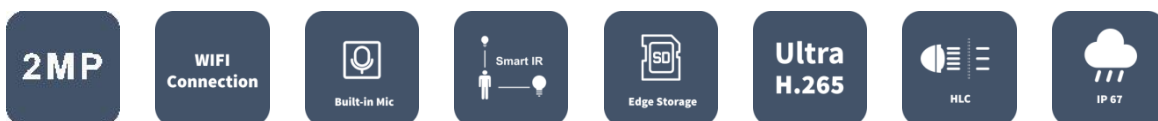


Key Features

NVR301-04LS3-W

- Embedded WiFi Module with high-performance and high stability
- Support CCMP encryption and WPA2-PSK authentication, Support IP cameras with WiFi in access
- Support Ultra 265/H.265/H.264 video formats
- 4-channel input
- Support mainstream cameras of ONVIF conformance(Profile S, Profile G, Profile T) and RTSP protocols
- Support 1-ch HDMI, 1-ch VGA
- HDMI and VGA synchronous outputs provided
- Up to 1080P resolution recording
- 1 SATA HDD, Up to 6TB for each HDD
- Support cloud upgrade

IPC322LB-AF28WK-G



- High quality image with 2MP, 1/2.9"CMOS sensor

- 2MP (1920*1080)@30/25fps; 720P (1280*720)@30/25fps
- Ultra 265, H.265, H.264, MJPEG
- Built-in Mic
- Smart IR, up to 30m (98ft) IR distance
- Supports 128 G Micro SD card
- IK10 vandal resistant
- IP67 protection
- 3-Axis

Specifications

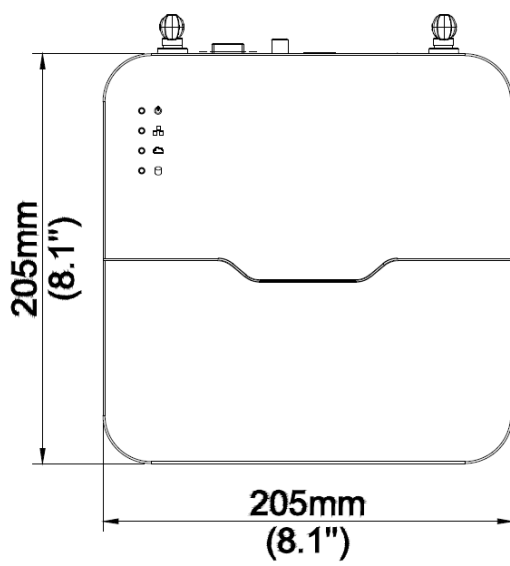
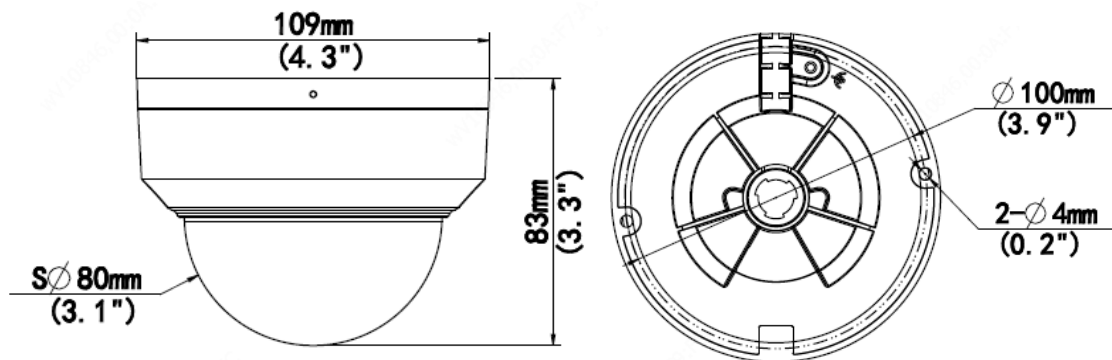
Model	NVR301-04LS3-W
Video/Audio Input	
IP Video Input	4-ch
Network	
Incoming Bandwidth	40Mbps
Outgoing Bandwidth	40Mbps
Remote Users	128
Protocols	TCP/IP, P2P, UPnP, NTP, DHCP, PPPoE, HTTP, HTTPS, DNS, DDNS
Video/Audio Output	
HDMI/VGA Output	HDMI: 1920x1080p /60Hz, 1920x1080p /50Hz, 1600x1200 /60Hz, 1280x1024 /60Hz, 1280x720 /60Hz, 1024x768 /60Hz VGA: 1920x1080p /60Hz, 1920x1080p /50Hz, 1600x1200 /60Hz, 1280x1024 /60Hz, 1280x720 /60Hz, 1024x768 /60Hz
Recording Resolution	1080P/960P/720P/D1/2CIF/CIF
Audio Output	1-ch, RCA
Audio Compression	G.711A, G.711U
Synchronous Playback	4-ch
Live View Display	1/4
Corridor Mode Screen	3/4
Snapshot	
Event Snapshot	1-ch snapshot, up to D1 resolution
Decoding	
Decoding format	Ultra 265/H.265/H.264
Live view/ Playback	1080p/960p/720p/D1/2CIF/CIF
Capability	4 x 1080P@30
Hard Disk	
SATA	1 SATA interface
Capacity	Up to 6TB for each HDD
General Alarm	

General Alarm	Motion, Tampering, Human Body Detection, Video Loss, Alarm Input
Alert Alarm	IP Conflict, Network Disconnected, Disk Offline , Disk Abnormal, Illegal Access, Hard Disk Space Low, Hard Disk Full, Recording/Snapshot Abnormal
External Interface	
Network Interface	1 RJ45 10M/100M self-adaptive Ethernet Interface
USB Interface	Rear panel: 2 x USB2.0
RS232	NA
RS485	NA
Alarm In	NA
Alarm Out	NA
Wi-Fi	
Frequency	2.4GHz
Transmission Rate	150Mbps
Wireless Standards	IEEE 802.11b/g/n
General	
Power Supply	12V DC Power Consumption: ≤ 9 W(without HDD)
Working Environment	-10°C ~ + 55°C (+14°F ~ +131°F), Humidity ≤ 90% RH(non-condensing)
Dimensions(W×D×H)	205mm × 205mm × 47mm (8.1" ×8.1"×1.9")
Weight (without HDD)	≤0.58Kg(1.28lb)
Certification	
Certification	UL CE FCC RoHS WEEE
Model	IPC322LB-AF28WK-G
Camera	
Sensor	1/2.9", progressive scan , 2.0 megapixel, CMOS
Min. Illumination	Colour: 0.01Lux (F2.0, AGC ON) 0 Lux with IR
Day/Night	IR-cut filter with auto switch (ICR)
Shutter	Auto/Manual, 1~1/100000 s
Adjustment angle	Pan: 0°~352°, Tilt: 0°~70° , Rotate: 0°~350°
S/N	>52dB
WDR	DWDR
Lens	
Lens Type	2.8mm @2.0, Fixed-focal
Lens Mount	M12
Angle of view(H)	101.1°
Angle of View (V)	55.0°
Angle of View (O)	111.0°
DORI	

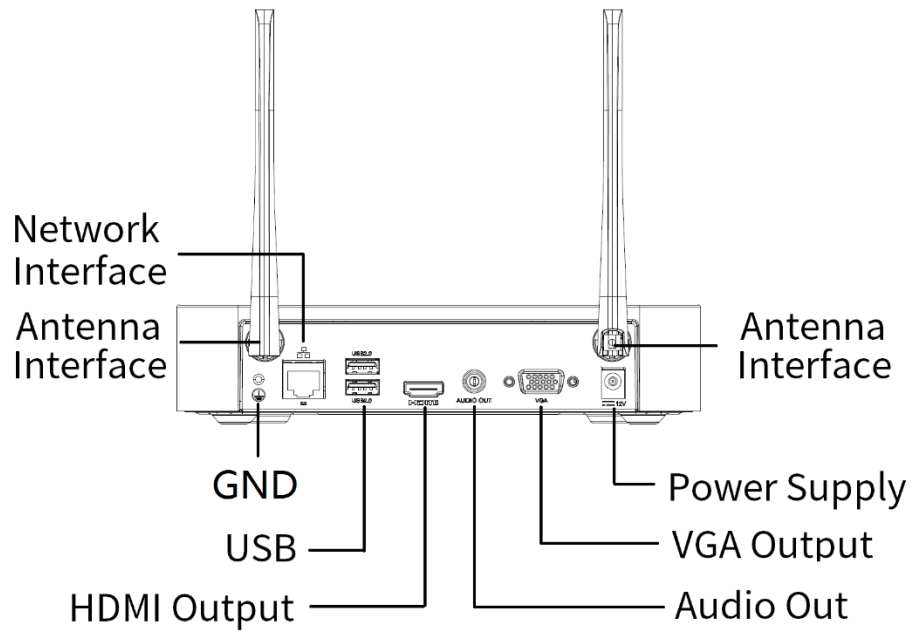
DORI Distance	Lens	Detect(m)	Observe(m)	Recognize(m)	Identify(m)
	2.8mm	45.0	18.0	9.0	4.5
Illuminator					
IR Range	Up to 30m (98 ft) IR range				
Wavelength	850nm				
IR On/Off Control	Auto/Manual				
Video					
Video Compression	Ultra 265, H.265, H.264, MJPEG				
H.264 code profile	Baseline profile, Main profile, High profile				
Frame Rate	Main Stream: 1080P (1920*1080), Max 30fps; 720P (1280*720), Max 30fps; Sub Stream: 720P (1280*720), Max 30fps; D1 (720*576), Max 30fps; 640*360,Max 30fps; 2CIF(704*288), Max 30fps; CIF(352*288), Max 30fps;				
Video Bit Rate	128 Kbps~6 Mbps				
OSD	Up to 4 OSDs				
Privacy Mask	Up to 4 areas				
ROI	Up to 8 areas				
Motion Detection	Up to 4 areas				
Image					
White Balance	Auto/Outdoor/Fine Tune/Sodium Lamp/Locked/Auto2				
Image Setting	Image rotation, brightness, saturation, contrast, sharpness, gain adjustable by web browser				
Digital noise reduction	2D/3D DNR				
Smart IR	Supported				
Flip	Normal/Vertical/Horizontal/180°				
Dewarping	N/A				
HLC	Supported				
BLC	Supported				
Defog	Digital Defog				
Events					
Basic Detection	Human body detection, Motion detection, tampering alarm, audio detection				
General Function	Watermark, IP address filtering, access policy, ARP protection, RTSP authentication, user authentication				
Audio					
Audio Compression	G.711				
Suppression	Supported				
Sampling Rate	8KHZ				
Storage					
Edge Storage	Micro SD, up to 128GB				
Network Storage	ANR,NAS(NFS)				
Network					
Protocols	IPv4, IGMP, ICMP, ARP, TCP, UDP, DHCP, RTP, RTSP, RTCP, RTMP, DNS, DDNS, NTP, FTP, UPnP, HTTP, HTTPS, SMTP, SSL/TLS, SNMP				
Compatible Integration	ONVIF (Profile S, Profile G, Profile T), API , SDK				
Security	Password protection, Strong password, HTTPS encryption, Export operation logs, Basic and digest authentication for RTSP, Digest authentication for HTTP, TLS 1.2, WSSE and digest authentication for ONVIF				

Client	EZStation EZView EZLive
Web Browser	Plug-in required live view: IE9+, Chrome 41 and below, Firefox 52 and below
	Plug-in free live view: Chrome 57.0+, Firefox 58.0+, Edge 16+
Wi-Fi	
Wireless Standards	IEEE802.11b/g/n
Frequency Range	2.4 GHz ~ 2.4835 GHz
Channel Bandwidth	20 MHz Support
Modulation Mode	802.11b: CCK, QPSK, BPSK 802.11g/n: OFDM/HT
Security	64/128-bit WEP, WPA-PSK/WPA2-PSK
Transmit Power	802.11b: 17±1.5dBm @11Mbps 802.11g: 14±1.5dBm @54Mbps 802.11n: 12.5±1.5dBm @150Mbps
Receive Sensitivity	802.11b: -90dBm @11Mbps (Typical) 802.11g: -75dBm @54Mbps (Typical) 802.11n: -74dBm @150Mbps(Typical)
Transmission Rate	802.11b: 11Mbps 802.11g: 54Mbps 802.11n: up to 150Mbps
Interface	
Network	1 * RJ45 10M/100M Base-TX Ethernet
Built-in Mic	Supported
Certification	
EMC	FCC: FCC Part 15
Safety	CE: EN 60950-1 UL: UL60950-1 IEC 60950-1
General	
Power	DC 12V±25%
	Power consumption: Max 4.0W
Power Interface	∅ 5.5mm coaxial power plug
Dimensions (∅ x H)	∅109 x 83 mm (∅4.29" x 3.3")
Weight	0.32 kg (0.71 lb)
Material	Metal + Plastic
Working Environment	-30°C ~ +60°C (-22°F ~ 140°F), Humidity:≤95% RH(non-condensing)
Storage Environment	-30°C ~ +60°C (-22°F ~ 140°F), Humidity:≤95% RH(non-condensing)
Surge Protection	4KV
Reset Button	Supported
Ingress Protection	Ingression protection: IP67 Vandal resistant: IK10

Dimensions



Rear Panel



Zhejiang Uniview Technologies Co., Ltd.

Building No.10, Wanlun Science Park, Jiangling Road 88, Binjiang District, Hangzhou, Zhejiang, China

Email: overseasbusiness@uniview.com; globalsupport@uniview.com

<http://www.uniview.com>

©2022 Zhejiang Uniview Technologies Co., Ltd. All rights reserved.

* Product specifications and availability are subject to change without notice.