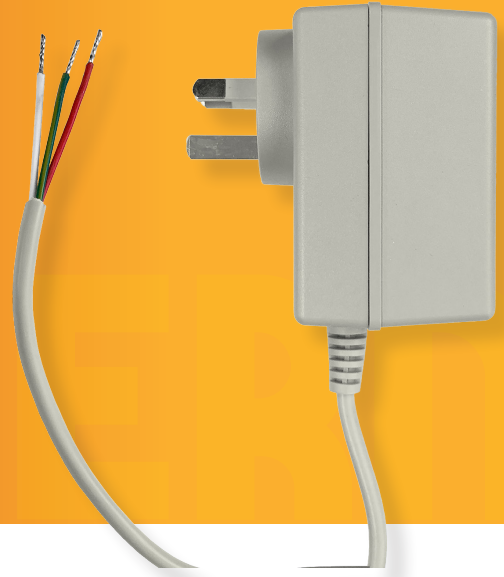


## 48C Plug-in Power Supply Unit

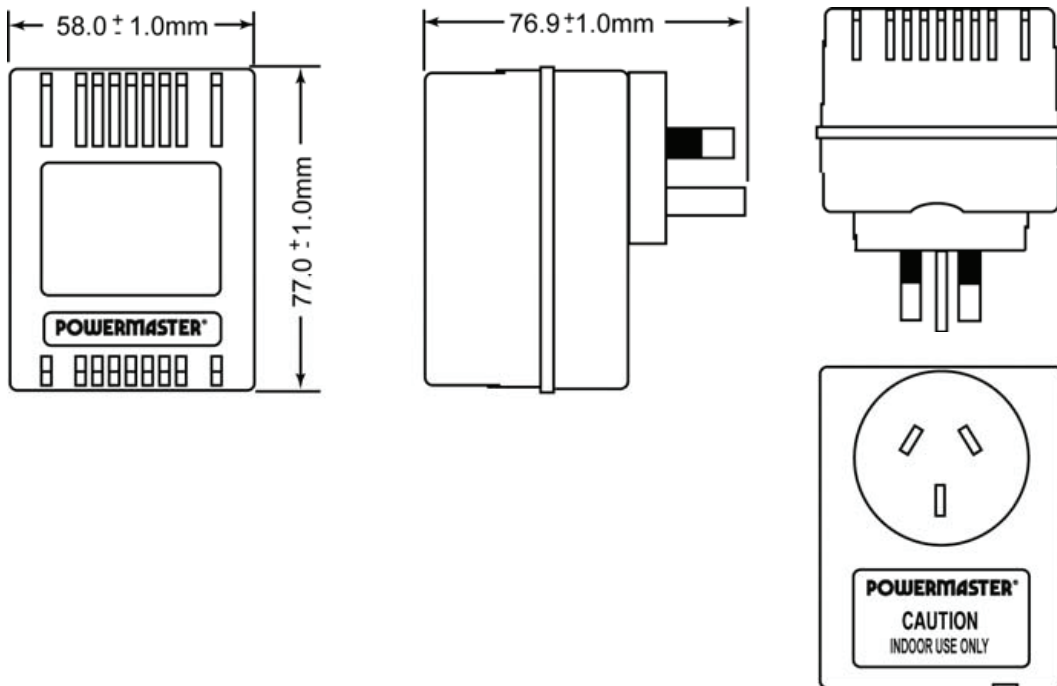
T1615MEP



### FEATURES

- 48C Series AC Adaptor (Alarm Panel PSUU).
- Large ventilated case with 24 Watt maximum capacity designed for applications such as security systems.
- Specialised 16V AC 1.5 Amp Class 1 (earthed) version available with ash coloured case for security system manufacturers and installers.
- A selection of models are stocked.
- Custom models can be made from 3V to 30V with 300mA to 4 Amp current range.
- Insulated active and neutral pins meet AS/NZS3112 for improved electrical safety.
- Dimensions 58(W) × 77(H) × 57(D) mm.
- Electrical Safety Authority Approved.

### DESIGN & CONSTRUCTION



To view Access' extensive ranges go to: [www.accesscomms.com.au](http://www.accesscomms.com.au)

Sydney (Head Office)  
Brisbane Office  
Melbourne Office  
Adelaide Office

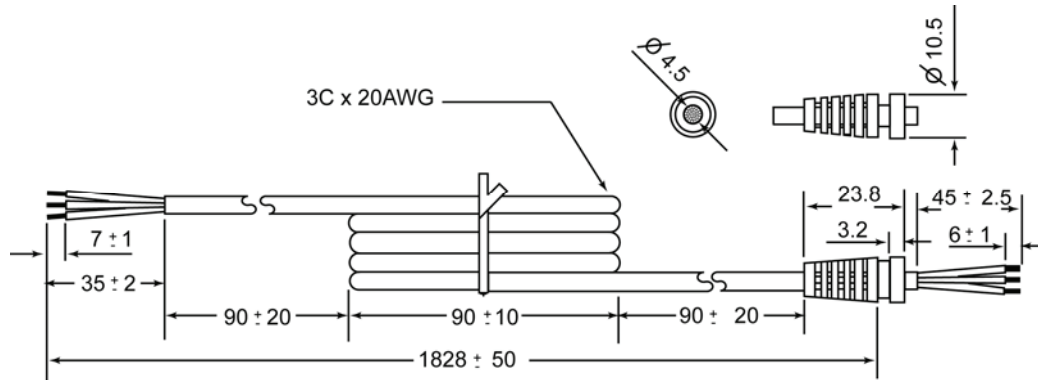
Unit 1, 29 Prince William Drive, Seven Hills NSW 2147  
28 The Gateway, Broadmeadows VIC 3047  
71 Anzac Highway, Ashford SA 5035

Phone: (02) 9414 8888  
Phone: (07) 3308 5555  
Phone: (03) 9330 8333  
Phone: (08) 8338 5540

[sales@accesscomms.com.au](mailto:sales@accesscomms.com.au)  
[brisbane@accesscomms.com.au](mailto:brisbane@accesscomms.com.au)  
[melbourne@accesscomms.com.au](mailto:melbourne@accesscomms.com.au)  
[adelaide@accesscomms.com.au](mailto:adelaide@accesscomms.com.au)

## 48C Plug-in Power Supply Unit

T1615MEP



### ELECTRICAL CHARACTERISTICS

Load Current	Input	Input Exciting Current
0mA	240V AC 50Hz	85mA Max
1500mA	240V AC 50Hz	165mA Max

### INPUT

Input Voltage	Load Current	Output Voltage
240V AC 50Hz	0ma	18.8V AC ±5%
	1500mA	16.0V AC ±5%

### ENVIRONMENTAL

Operating Temperature	-10°C ~ +40°C (10~90% RH)
Storage Temperature	-20°C ~ +70°C (10~90% RH)
Exciting Current	85mA max with input of 240VAC 50Hz
Insulation Resistance	100MΩ minimum between primary and secondary and core of transfer @ 500VDC
Efficiency	78.6% minimum
Hi-Pot Test * **	There shall be no electrical damage after applying 3000V AC 50/60Hz between primary and secondary, primary and core and primary and case for 1 minute (detecting current set to 2ma)
Temperature Rise ***	With input of 240V AC 50Hz and output load of 1500mA, the temperature rise shall not exceed 45°C on the case surface and 75°C for the input coil
Vibration Test	Vibrating frequency 10-55-10Hz. Direction X-Y-Z. Sweep time 30 min. No abnormal electrical or mechanical condition shall be found
Audible Noise	With rated voltage input ±10%, approx sinewave I/P applied to the primary and with the secondary loaded, no audible noise shall be present at a distance of 1m from the transformer

### AUSTRALIAN COMPLIANCE

Electrical Safety	Certificate NSW17582	
EMC		
Energy Efficiency (MEPS Mark)		

\* There shall be no breakdown applying 3600VAC for 2 seconds  
 \*\* Secondary circuit is connected to the transformer  
 \*\*\* Measure by resistance method

To view Access' extensive ranges go to: [www.accesscomms.com.au](http://www.accesscomms.com.au)

Sydney (Head Office)  
 Brisbane Office  
 Melbourne Office  
 Adelaide Office

Unit 1, 29 Prince William Drive, Seven Hills NSW 2147  
 28 The Gateway, Broadmeadows VIC 3047  
 71 Anzac Highway, Ashford SA 5035

Phone: (02) 9414 8888  
 Phone: (07) 3308 5555  
 Phone: (03) 9330 8333  
 Phone: (08) 8338 5540

sales@accesscomms.com.au  
 brisbane@accesscomms.com.au  
 melbourne@accesscomms.com.au  
 adelaide@accesscomms.com.au

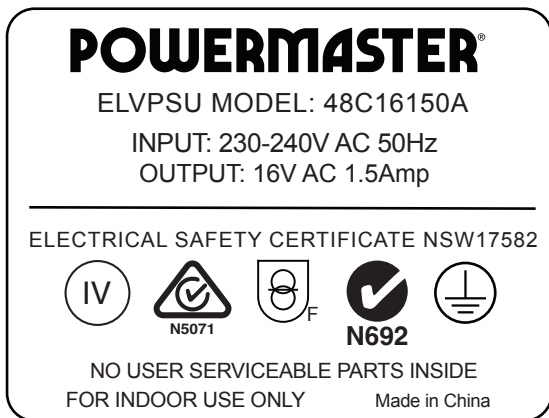
## 48C Plug-in Power Supply Unit

T1615MEP

### MECHANICAL CHARACTERISTICS

Configuration	Wall-mount, (integral mains pins)	
Mains Pins	AS/NZS3112:2004 (SAA) 3 pins, insulated active and neutral	
Dimensions	77.9(L) x 59(W) x 78.0(H)mm max	
Weight	620g max	
Cooling	Natural Convection	
Thermal Fuse	130°C 2A 250V	
Terminal Strength	AC Side	DC Side
	10kg for 60 seconds	5kg for 60 seconds
	No breakage shall occur after the completion of the test	
Drop Test	No abnormal condition should be found after a free-fall from a height of 75cm onto a 1cm thick (min) wood surface. After a total of 6 drop tests (one on each plane) the adaptor shall pass the insulation resistance test (100MΩ min)	
Cord Bending Test	The cord shall withstand a total of 1000 40 cycle/min swings from left to right at an angle of 120° with a 300g weight attached	
Strain Relief Test	The cord shall withstand a weight of 9.1Kg attached to the cord end for one minute min. There shall be no visible or electrical damage.	

### RATING PLATE



To view Access' extensive ranges go to: [www.accesscomms.com.au](http://www.accesscomms.com.au)

Sydney (Head Office)  
 Brisbane Office  
 Melbourne Office  
 Adelaide Office

Unit 1, 29 Prince William Drive, Seven Hills NSW 2147  
 28 The Gateway, Broadmeadows VIC 3047  
 71 Anzac Highway, Ashford SA 5035

Phone: (02) 9414 8888  
 Phone: (07) 3308 5555  
 Phone: (03) 9330 8333  
 Phone: (08) 8338 5540

sales@accesscomms.com.au  
 brisbane@accesscomms.com.au  
 melbourne@accesscomms.com.au  
 adelaide@accesscomms.com.au