

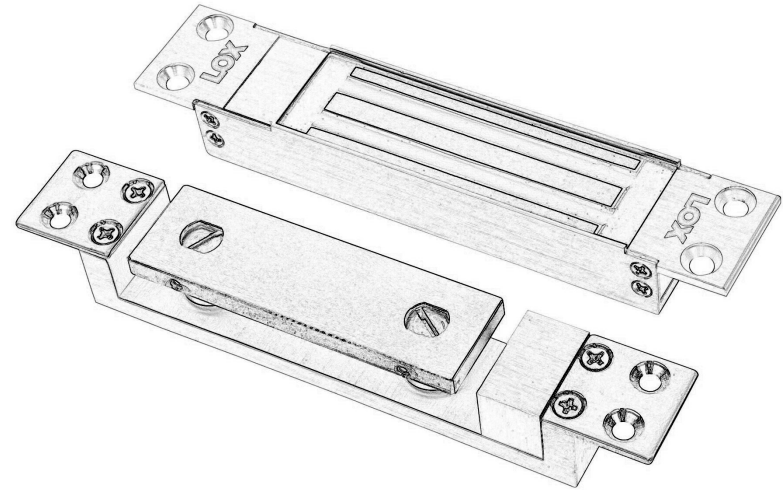
HARDWARE KITS:

NO.	DESCRIPTION	QTY
1	M5*8 C'SINK SCREWS	9
2	ST3.5*25 C'SINK SCREWS	5
3	ST5*32 C'SINK SCREWS	5
4	LOCK BODY BRACKETS	2
5	M4*9.5 C SINKSCREW	9
6	FLAT WASHERS	5
7	ARMATURE PLATE BRACKETS	2

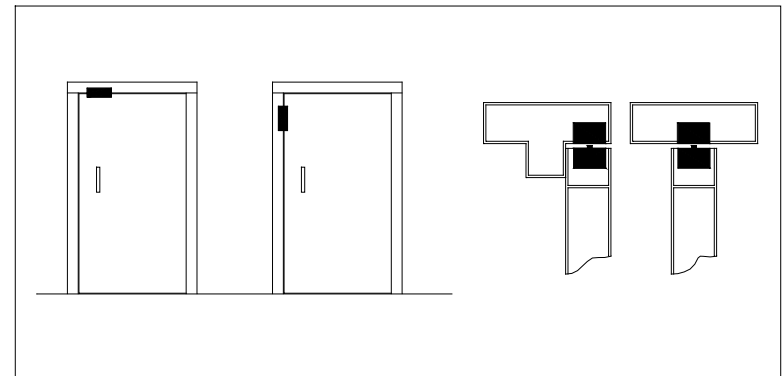
LOX
LOCKING

SH2500

INSTALLATION MANUAL



TYPICAL MOUNTING



GENERAL INFORMATION

Shear locks are designed to resist shear forces, such as exerted on a swing door. They are usually installed into the door header/frame or side of a door with the armature plate assembly installed into the top/side of the door. The lock resists the sliding force of the door being swung open by the capture of the armature plate within the "walls" on the armature. When the lock is powered and the built in reed switch senses the door closed the armature is powered and pulls the armature plate in the top/side of the door into locked position. The timer allows the door to settle in the fully closed position before the armature is powered.

PLEASE NOTE A SHEAR LOCK IS NOT DESIGNED TO LOCK A SLIDING DOOR.

Part list:

1 x Lock Body	1 x Armature Plate
1 x PCB Set	1 x LED
1 x Hardware Kits	1 x Manual

Ratings: Holding

Force: 250Kg

Relay: 1 A/ 24 VDC

Input power: Accept power in the range of 12 ~ 24 VDC

Power Consumption:

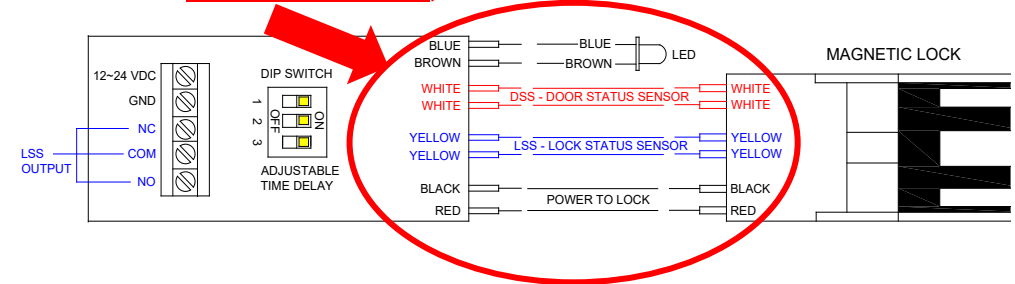
Voltage	Rush Current	Holding Current
12 VDC	1.2 A	0.2 A
24 VDC	0.6 A	0.1 A

WIRING DETAILS

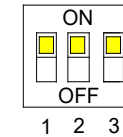
Typical Wiring

NOTE: Warranty void if the included PCB is not installed in accordance with instructions.

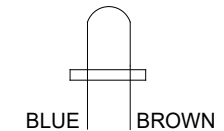
All wires (DSS, LSS & Power) between the lock body and the PCB Board must be connected, whether the function will be used or not.



ADJUSTABLE TIME DELAY



LED INDICATOR



Adjustable Time Delay, LED, Lock Status Sensor & Retry.

- The adjustable time delay can be set to delay unlock time from 0 to 6 seconds.

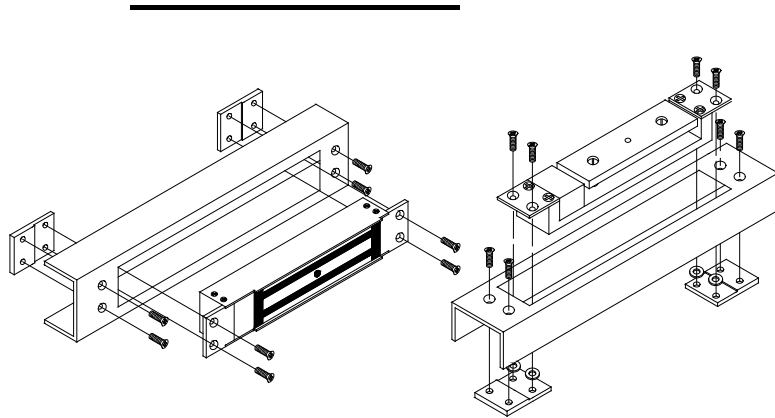
Delay time	0 sec	1 sec	2 sec	3 sec	4 sec	5 sec	6 sec
Dip switch position							

The LED's indicator indicates lock status.

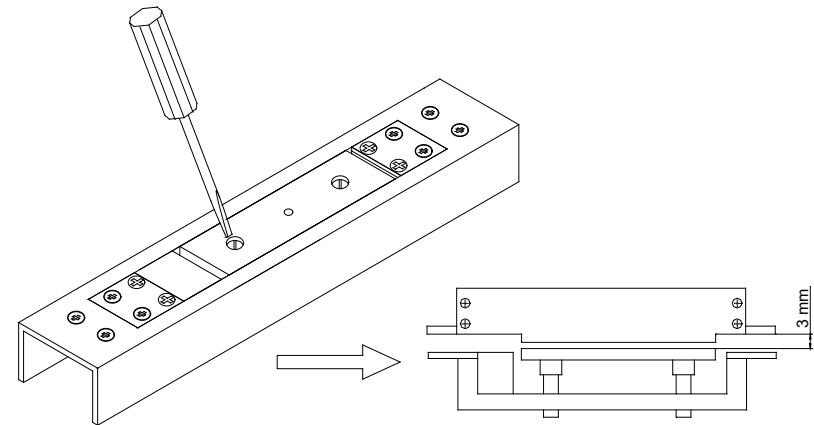
LED off	LED blinking	LED on
Door open	Locked unsuccessfully	Locked successfully

- The Lock Status Sensor outputs C, NC & NO indicates door locked or unlocked. C & NC conducted – Unlocked. C & NO conducted – Locked.
- The door will try a further 4 locking attempts if the door locks unsuccessfully.

TYPICAL MOUNTING ON ALUMINUM ,



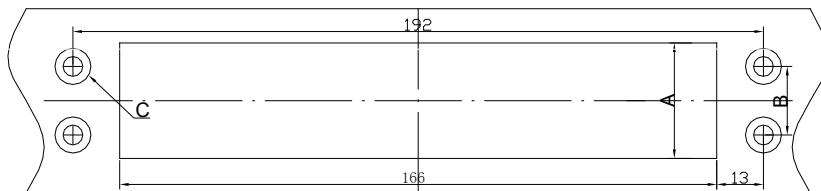
ADJUST AFTER MOUNTING



After mounting, adjust the adjusting screws to make sure the gap is 3mm as drawing above.

DIMENSION OF MOUNTING

Mounting on Metallic, Aluminum Door (Lock Body & Armature Plate)



A= 32mm (Lock Body)

A= 27mm (Armature Plate)

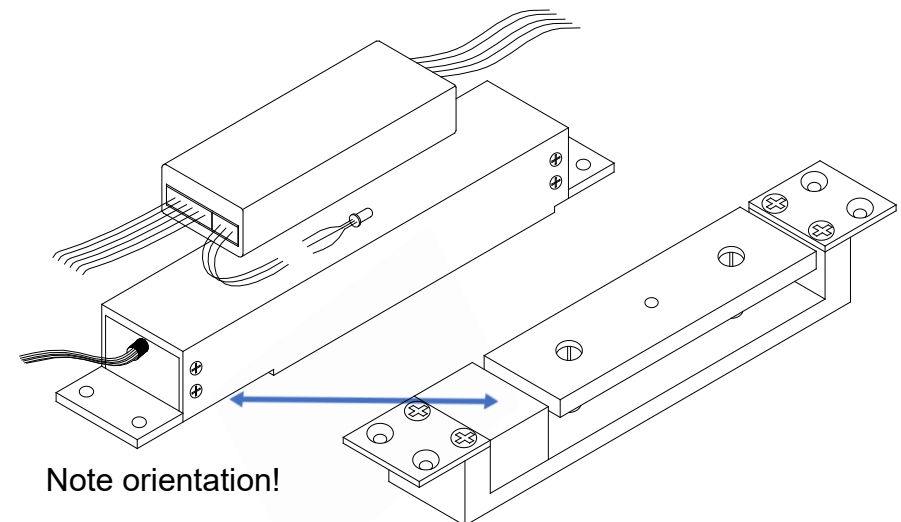
B= 19mm (Lock Body)

B= 14mm (Armature Plate)

C= $\Phi 5.5 \times \Phi 10 \times 90^\circ$ (Lock Body)

C= $\Phi 4.5 \times \Phi 8 \times 90^\circ$ (Armature Plate)

SET-UP OF SH2500



Note orientation!