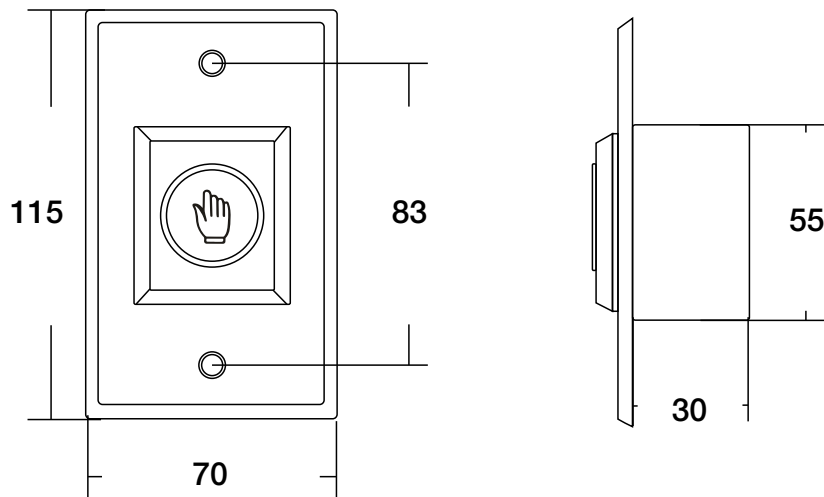


Specification

Model	NENACLBD
Dimensions	115L x 70W x 30H (mm)
Contact Rating	3A/12V
Power	12VDC
Output Contact	NO/NC/COM
Mechanical Life	100,000 Tests
Weight	0.13kg

Operating Temperature	-20°C ~ +55°C
Suitable Humidity	0-95% (relative humidity)
Detection Range	5-15cm (adjustable)
LED Indicator	Blue LED Indicator (standby) Green LED Indicator (sensation)
Surface mount	Optional NEASMB Mounting Box
Panel	0.9mm thick 304 stainless steel (wire drawing)

Diagram



Warranty

Neptune Security Products warrants that this product to be free from defects in materials and workmanship for a period of three (3) years from date of purchase. In the event of failure, Neptune Security Products will replace or repair the product at its sole discretion, and will not be responsible for any loss or damages in association with uses of its products. This warranty does not apply in the event of accidental damage and improper use, abuse, misuse, non approved purpose or act of God.