

HD Wireless Camera

2.4GHz BLK Part no. NEHDWCB

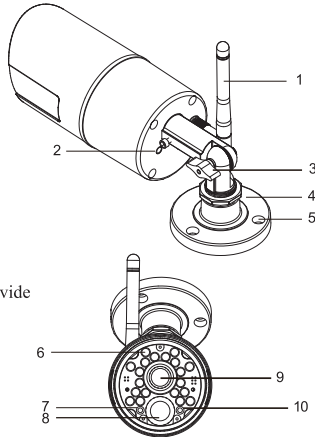
Installation Guide

Package Contents

- One camera
- One power adapter (9V/800mA for Camera)
- Three screws and three anchors
- One antenna
- One allen key
- Installation Guide

Product Layout Camera

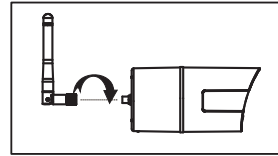
1. Antenna
2. Pairing button
3. Allen screw
4. Mounting bracket
5. Screw for mounting
6. Infrared LEDs (Twenty LEDs provide infrared for night vision)
7. Power LED
8. PIR (Passive Infrared Sensor)
9. Lens
10. Light sensor



ENGLISH

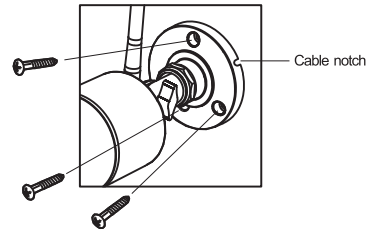
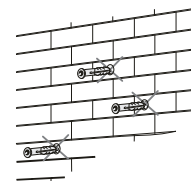
1 Setting up the Camera

- ### 1.1
- Twist the antenna clockwise onto the antenna port on the back of the camera.

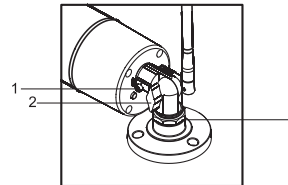


- ### 1.2
- Use the included mounting screws to mount the camera to the mounting surface:

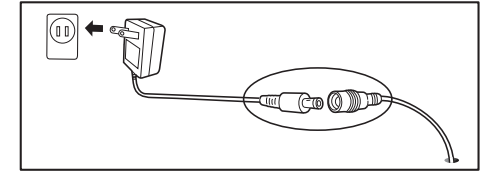
- * Mark the positions of the screw holes on the mounting surface.
- * Drill holes and insert the anchor (included) as needed.
- * Firmly attach the camera to the mounting surface using the included screws.



Loosen the allen screw (1), (2) and the adjustment ring (3) by turning them counter clockwise.



- ### 1.4
- Adjust the angle of the cameras until the desired view is set. Tighten the allen screw and the adjustment ring to secure each camera's position.
- ### 1.5
- Connect power adapter to the camera power cable. Make sure they are pushed all the way in. Plug the power adapter into a wall outlet.



2 Pairing the Camera

If you have purchased additional cameras, use the pairing function to add the cameras. You will also need to use the pairing button located at the back of the camera.

1. On the Camera screen tap the camera number you want to pair. You will see a small pairing animation underneath the camera selection.
2. Use a paperclip or pen to press the pair button at the back of the camera. The red Power LED of the camera will start to flash.
3. After a short moment, the LED will stop flashing and you will see an image from the camera on screen. The camera is now paired

