



QUICK START GUIDE

NVR Series




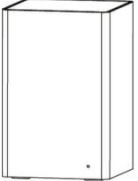
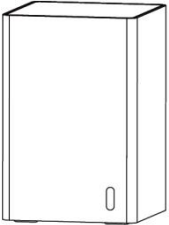
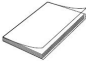
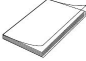




V5.1

Table of Contents


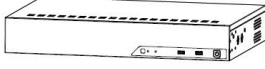
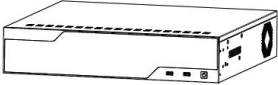
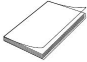
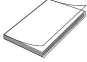










1.Package Contents	2
2.Hardware Overview	5
3. Interfaces	9
4.Installation	14
4.1 Mini (PoE) NVR 1000 Series Installation	14
4.2 Pro/PoE NVR 5000 Series Installation	18
4.3 Pro/PoE NVR 7000 Series Installation	29
4.4 Pro NVR 8000 Series Installation	35
5.Connection Overview	41
6. Ready to Start	43
7.Access to NVR	44
7.1 Search the NVR via Smart Tools	44
7.2 Via WEB	46
7.2.1 Log-in	46
7.2.2 Live View	49
7.3 Via Monitor	51


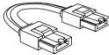

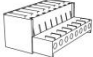
1.Package Contents

Mini (PoE) NVR:

 	MS-N1004-UC/UPC MS-N1008-UC/UPC 	MS-N1008-UNC 	MS-N1008-UNPC 
NVR	x 1	x 1	x 1
 Quick Start Guide	x 1	x 1	x 1
 Warranty Card	x 1	x 1	x 1
 Power Adaptor	x 1 (MS-N1004-UC/ MS-N1008-UC)	x 1	-
 Power Adaptor	x 1 (MS-N1004-UPC/ MS-N1008-UPC)	-	x 1
 Power Cord	x 1 (MS-N1004-UPC/ MS-N1008-UPC)	-	x 1
 HDD Screw	x 4	X 10	x 4

Pro/PoE NVR:

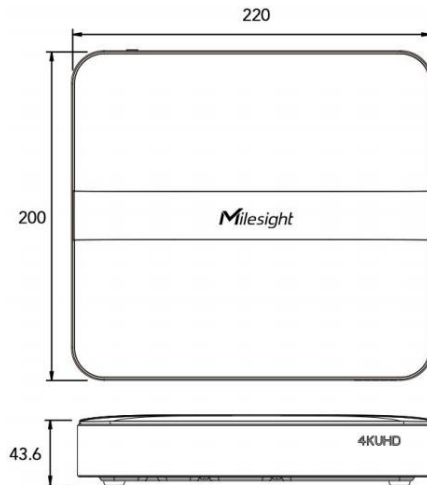
NVR	Pro/PoE 5000 Series	Pro/PoE 7000 Series	Pro 8000 Series
			
			
			
Contents			
NVR	x 1	x 1	x 1
 Quick Start Guide	x 1	x 1	x 1
 Warranty Card	x 1	x 1	x 1
 Mouse	x 1	x 1	x 1
 Power Cord	x 1	x 1	x 1
 Power Adaptor	x 1 (Pro 5000 Series)	-	-
 2.5" HDD Screw	x 8 (MS-N5008-UC/MS-N5008-UPC)		
 3.5" HDD Screw	x 8 (MS-N5008-UC/MS-N5008-UPC) x 12 (MS-N5016-E/MS-N5016-PE)	x 20	x 36
 HDD Bracket	x 4 (MS-N5016-E/MS-N5016-PE)	-	-
 Mounting Bracket	x 2 (MS-N5008-UC/MS-N5008-UPC)		
 Mounting Bracket	x 2 (MS-N5016-E/MS-N5016-PE)	-	-
 Mounting Bracket	-	x 2	-
 Mounting Bracket	-	-	x 2

 Mounting Bracket Screw	x 4 (MS-N5008-UC/MS-N5008-UPC) x 8 (MS-N5016-E/MS-N5016-PE)	x 8	x 8
 SATA Cable	x 2	x 4	x 8
 HDD Power Cable	x 1	x 1 (Pro 7000 Series)	-
 Terminal	-	x 4 x 2 (MS-N7032-UPH)	x 4

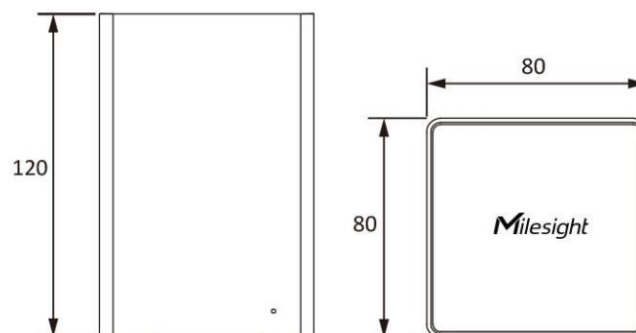
2. Hardware Overview

Mini NVR Series:

MS-N1004-UC/MS-N1008-UC:

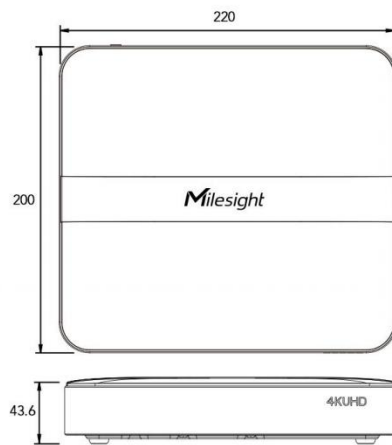


MS-N1008-UNC:

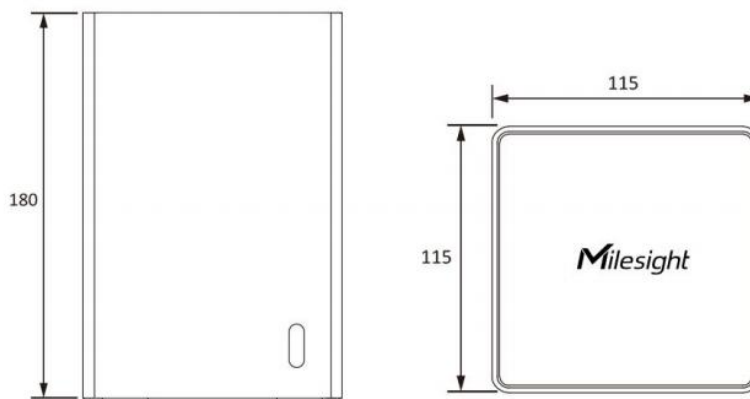


Mini PoE NVR Series:

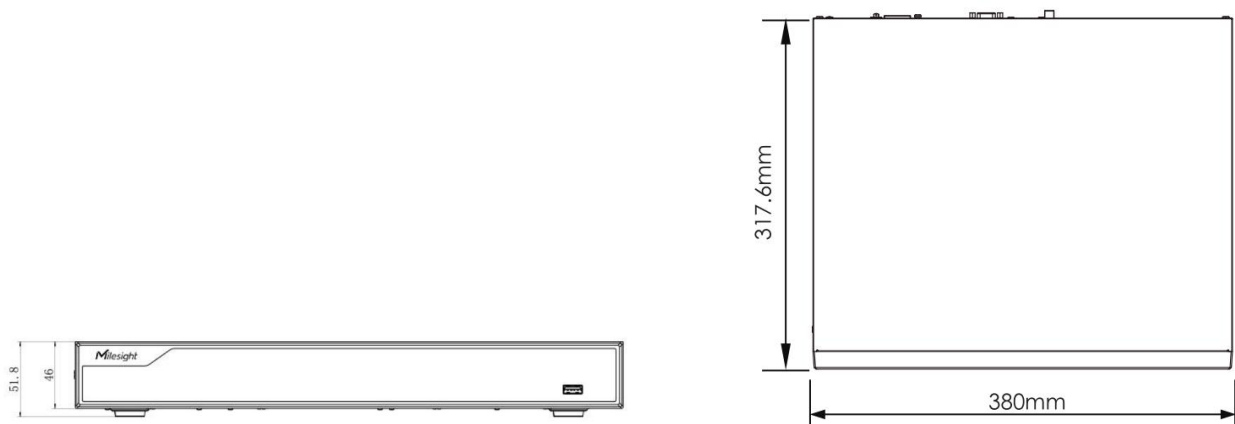
MS-N1004-UPC/MS-N1008-UPC:



MS-N1008-UNPC:

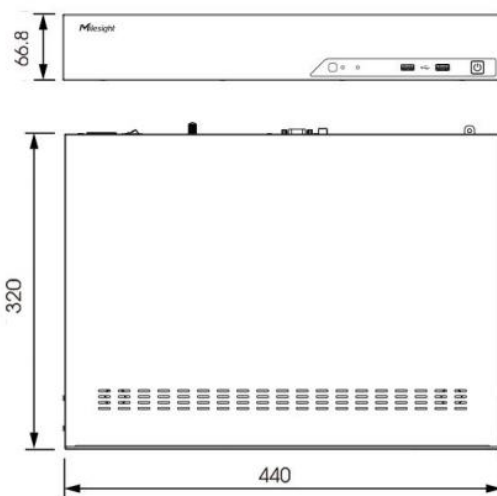
**Pro/PoE 5000 Series:**

MS-N5008-UC/MS-N5008-UPC/MS-N5016-E/MS-N5016-PE:

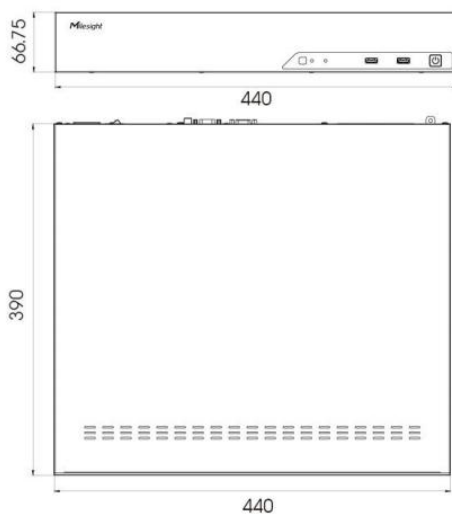


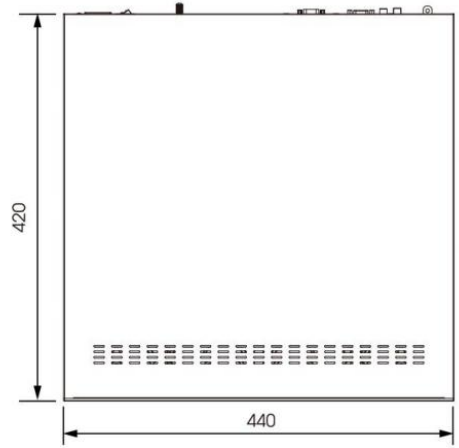
Pro/PoE 7000 Series:

MS-N7016-UH/MS-N7032-UH/MS-N7016-UPH:



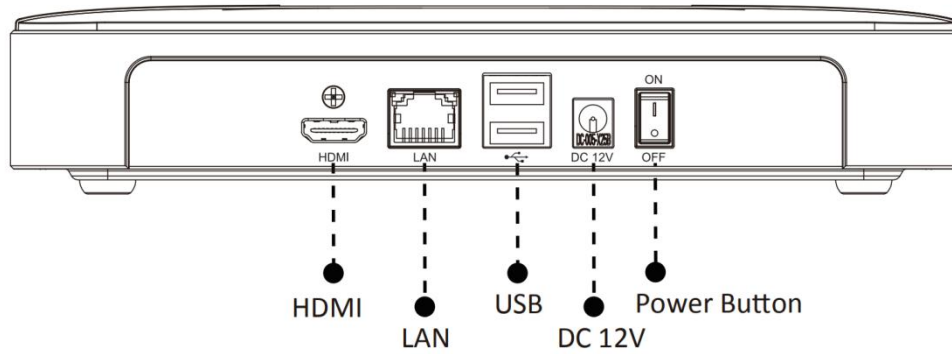
MS-N7032-UPH/MS-N7048-UPH:

**Pro 8000 Series:**

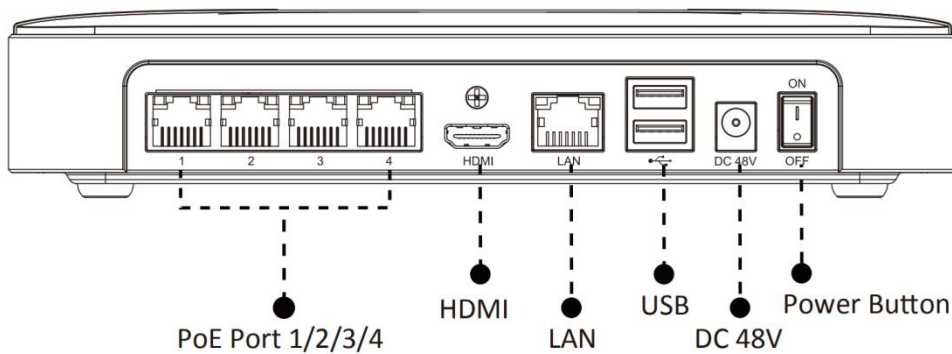


3. Interfaces

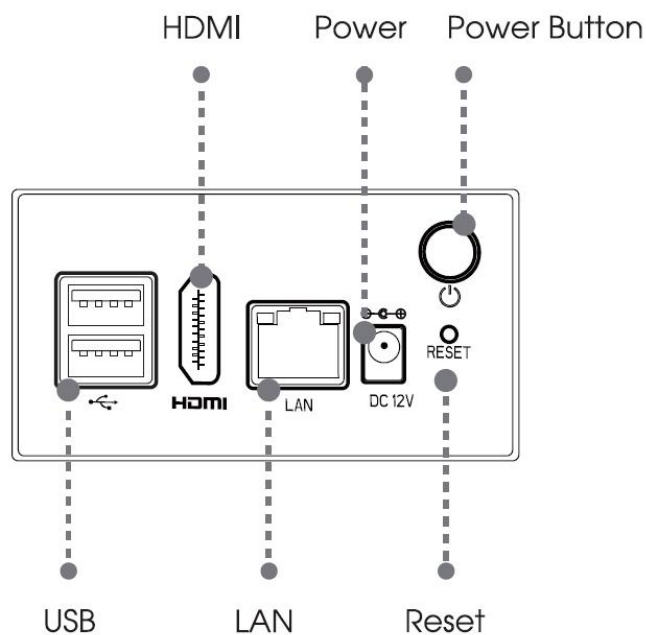
MS-N1004-UC/MS-N1008-UC:



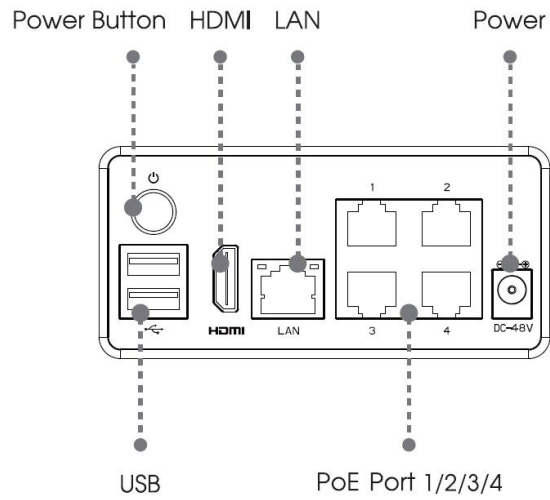
MS-N1004-UPC/MS-N1008-UPC:



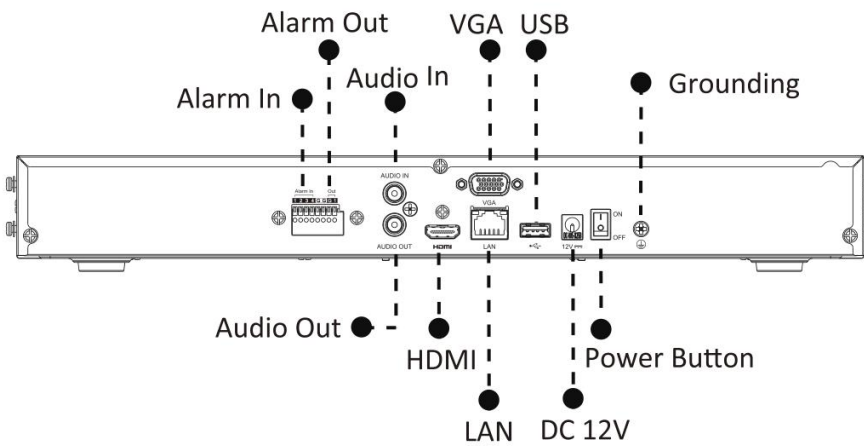
MS-N1008-UNC:



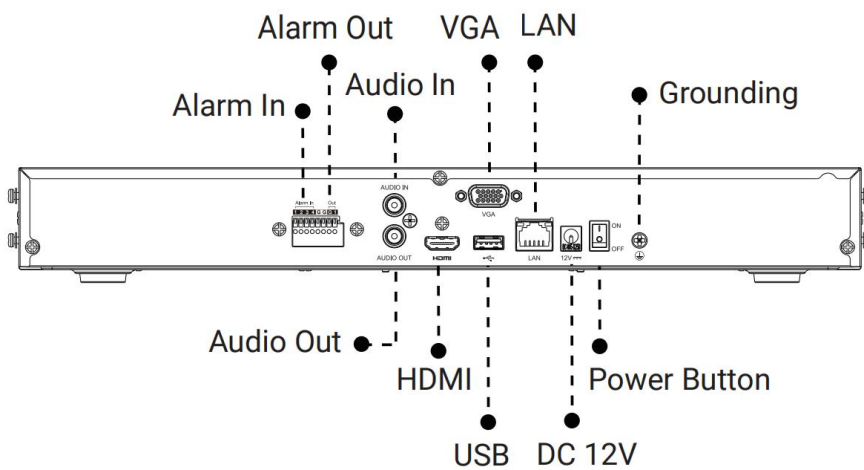
MS-N1008-UNPC:



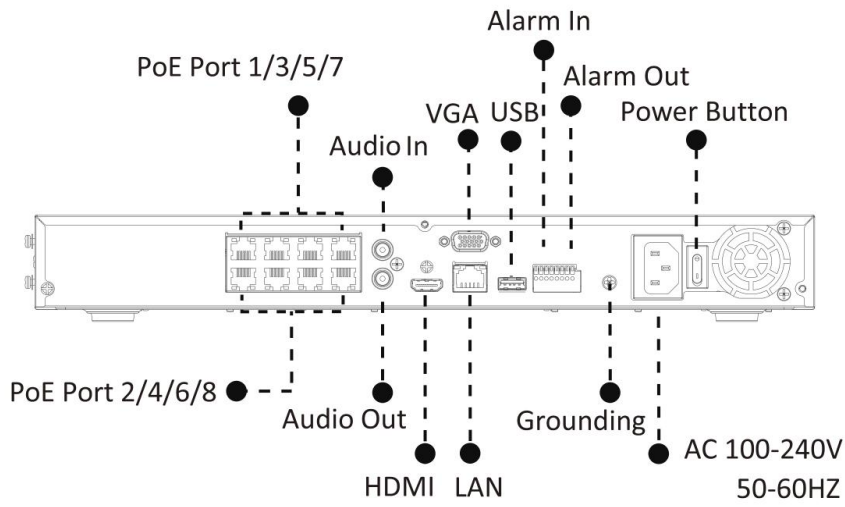
MS-N5008-UC:



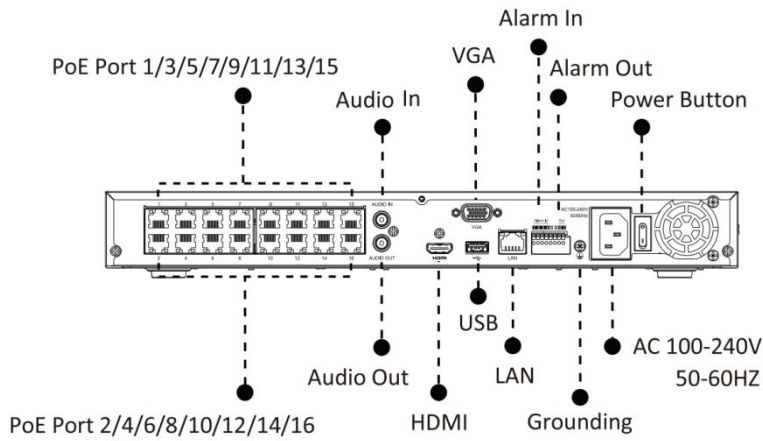
MS-N5016-E:



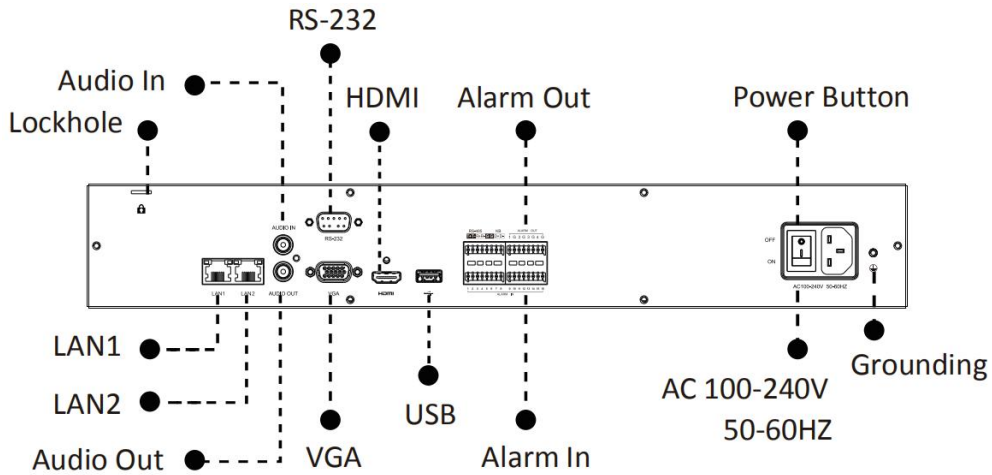
MS-N5008-UPC:



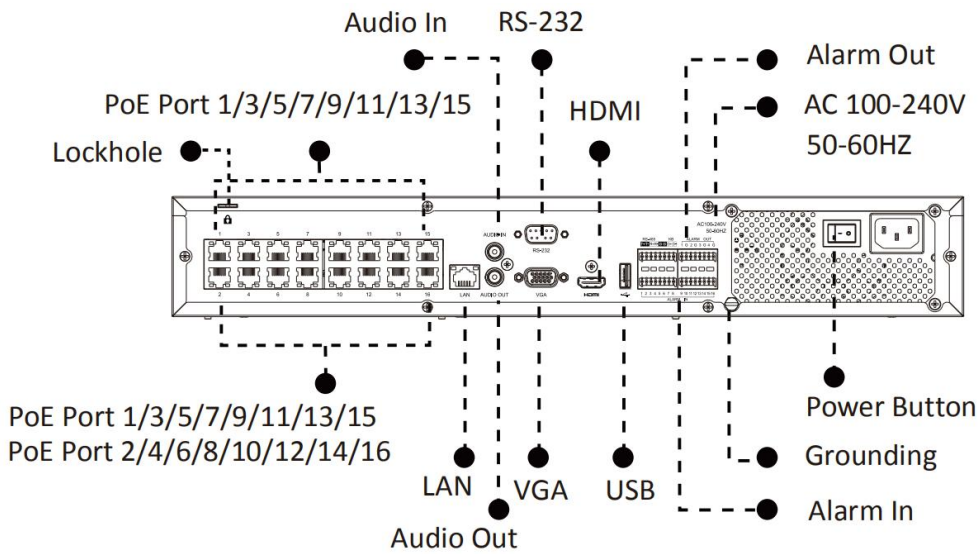
MS-N5016-PE:



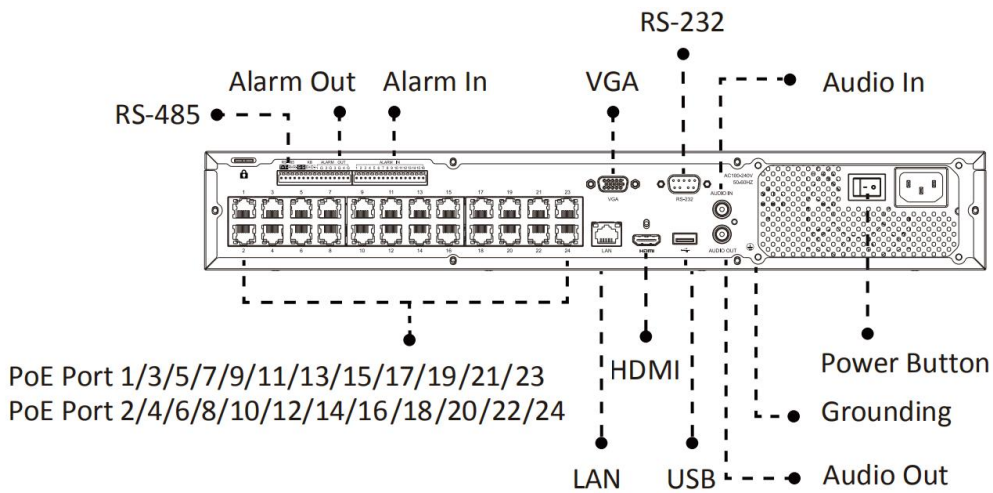
MS-N7016-UH/MS-N7032-UH:



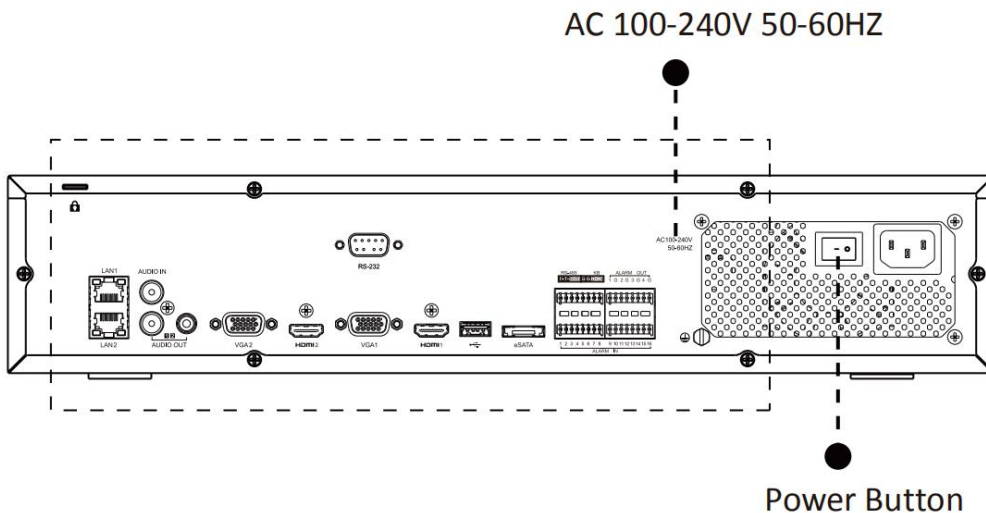
MS-N7016-UPH:

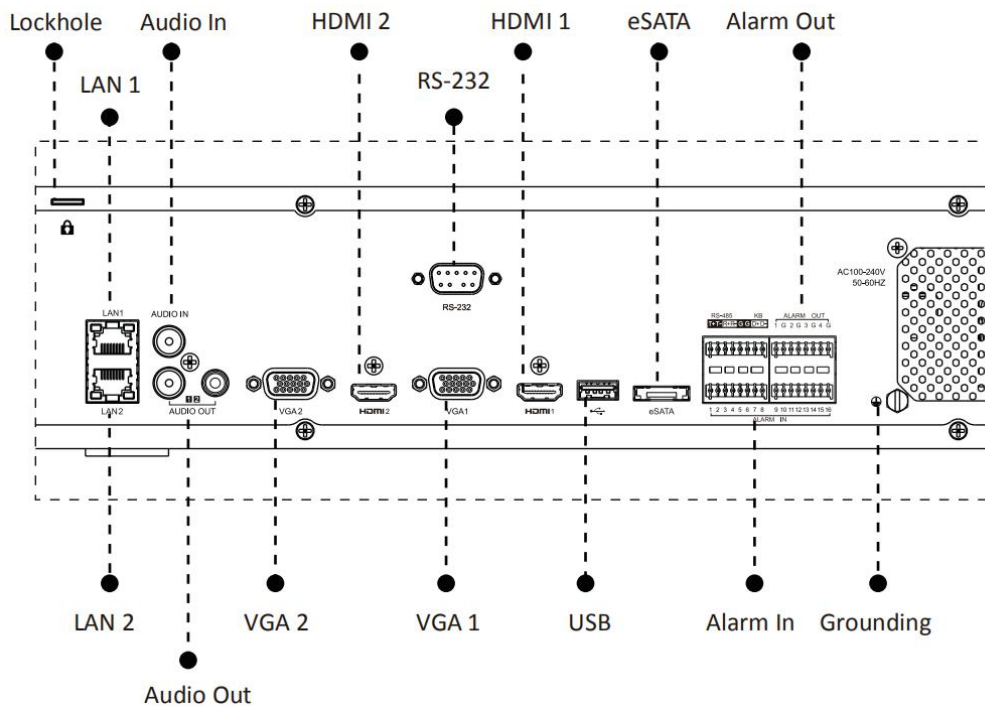


MS-N7032-UPH/MS-N7048-UPH:



MS-N8032-UH/MS-N8064-UH:

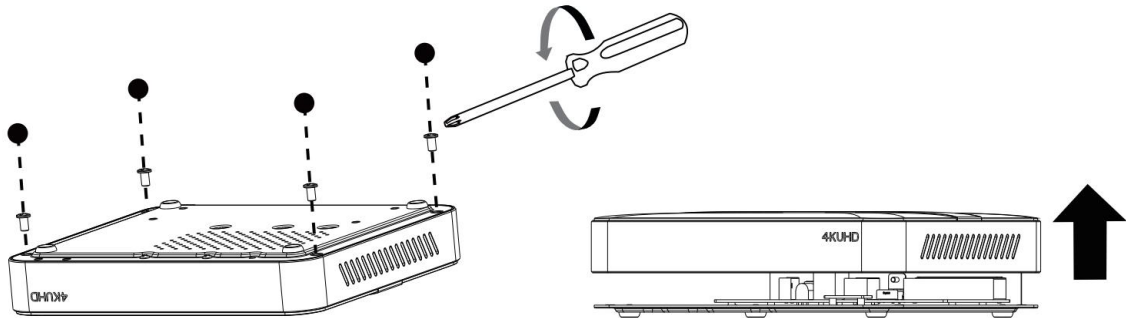




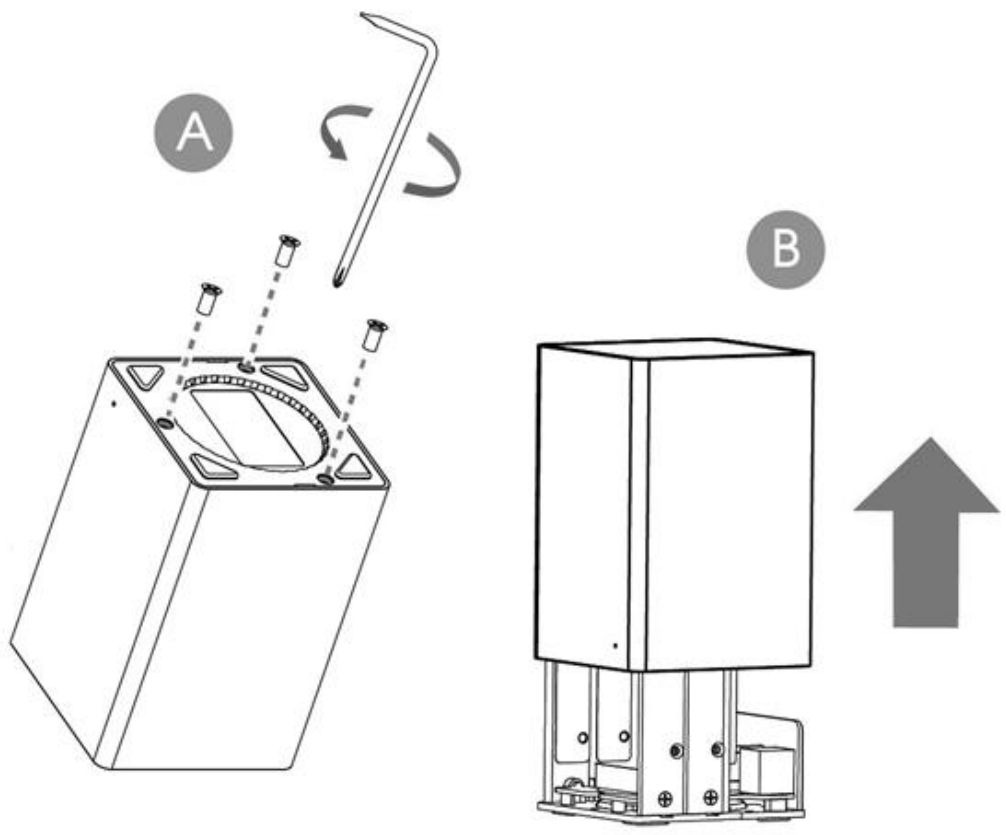
4. Installation

4.1 Mini (PoE) NVR 1000 Series Installation

Step1: Remove the screws at the bottom panel and pull up the casing.

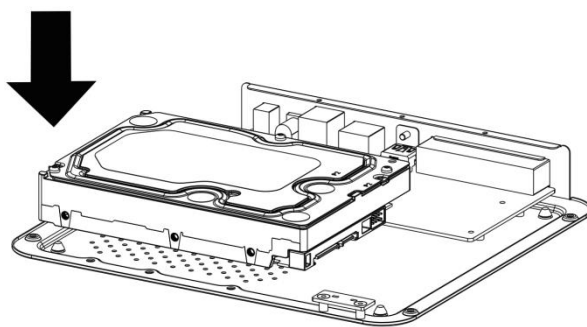


(MS-N1004-UPC/MS-N1008-UPC/MS-N1004-UC/MS-N1008-UC)

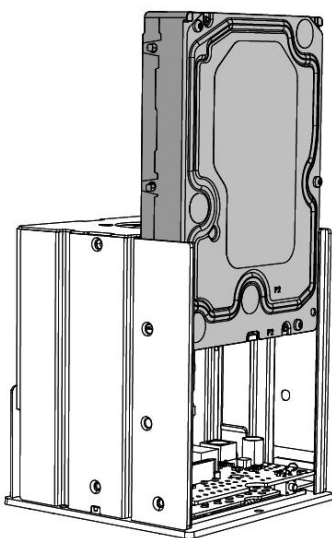


(MS-N1008-UNPC/MS-N1008-UNC)

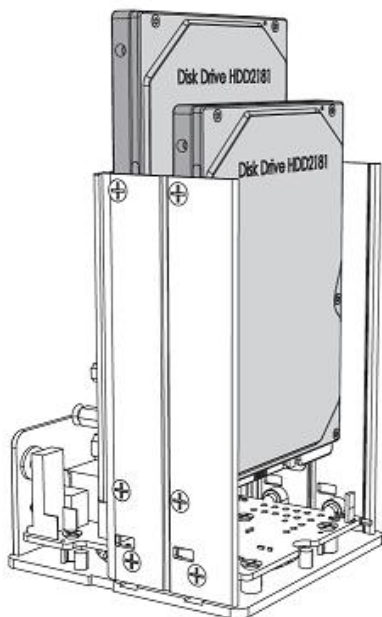
Step2: Insert SATA HDD in the slot as required.



(MS-N1004-UPC/MS-N1008-UPC/MS-N1004-UC/MS-N1008-UC)



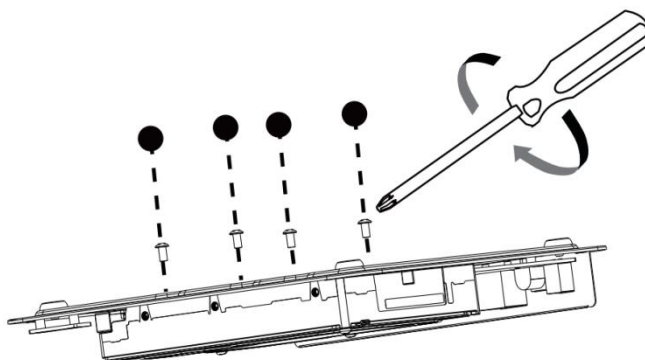
(MS-N1008-UNPC)



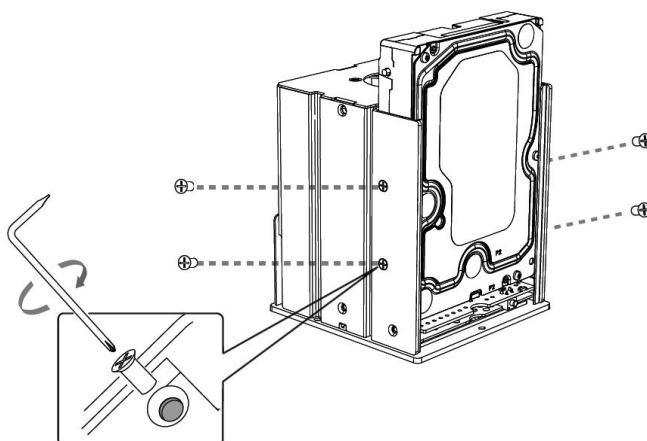
(MS-N1008-UNC)

Note: MS-N1008-UNC supports two SATA HDD (2.5"), MS-N1004-UPC/UC and MS-N1008-UNCT support one SATA HDD (3.5").

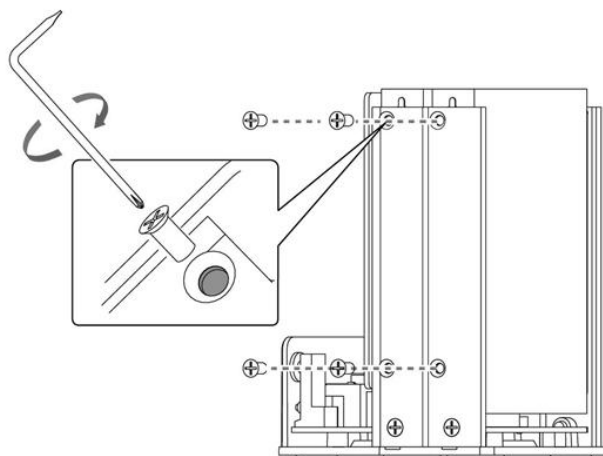
Step3: Secure the HDD with screws.



(MS-N1004-UPC/MS-N1008-UPC/MS-N1004-UC/MS-N1008-UC)

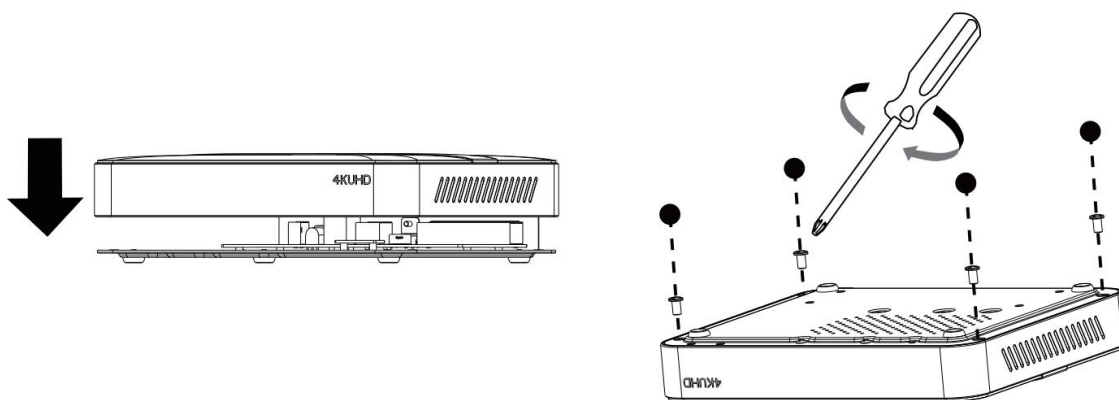


(MS-N1008-UNPC)

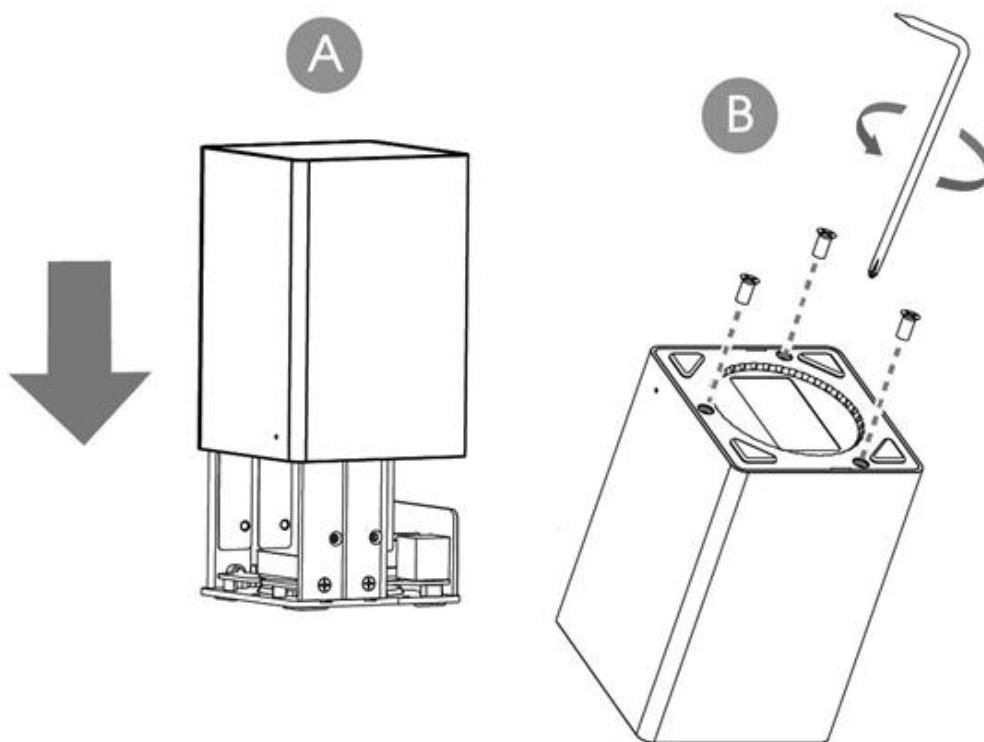


(MS-N1008-UNC)

Step4: Put back the casing and tighten the screws.



(MS-N1004-UPC/MS-N1008-UPC/MS-N1004-UC/MS-N1008-UC)

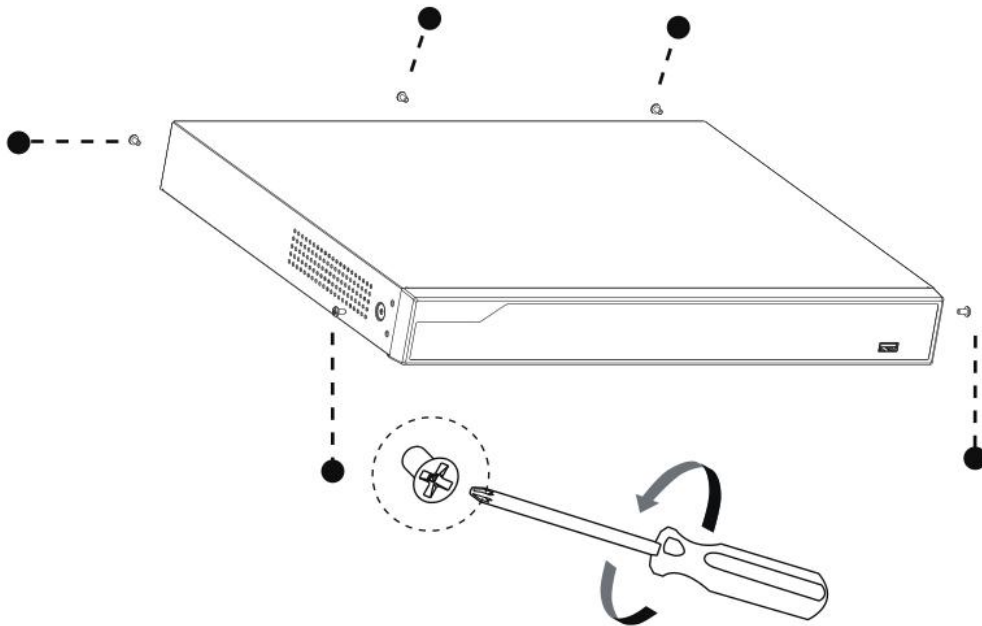


(MS-N1008-UNPC/MS-N1008-UNC)

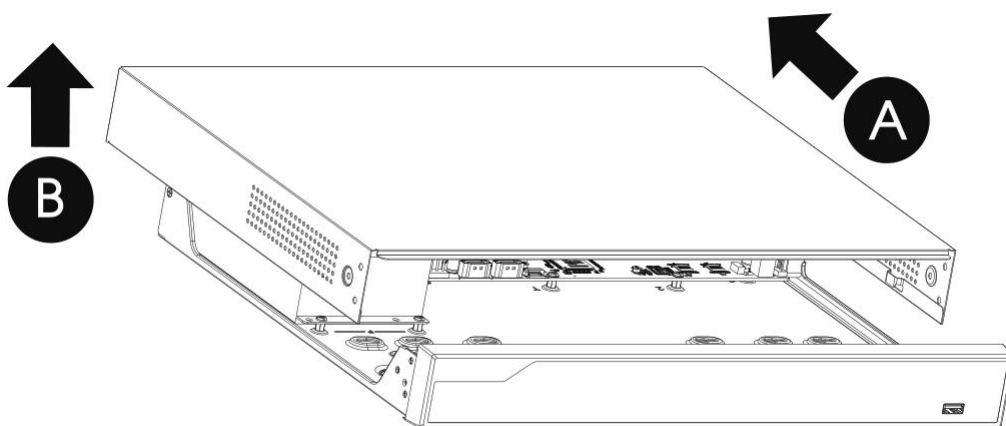
4.2 Pro/PoE NVR 5000 Series Installation

MS-N5008-UC/MS-N5008-UPC:

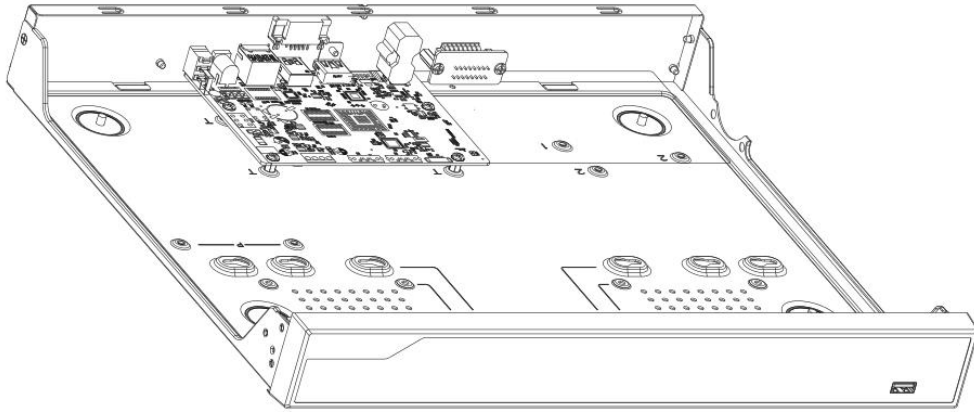
Step1: Using a cross screwdriver to remove the screws at the rear panel and side panel in an anticlockwise direction.



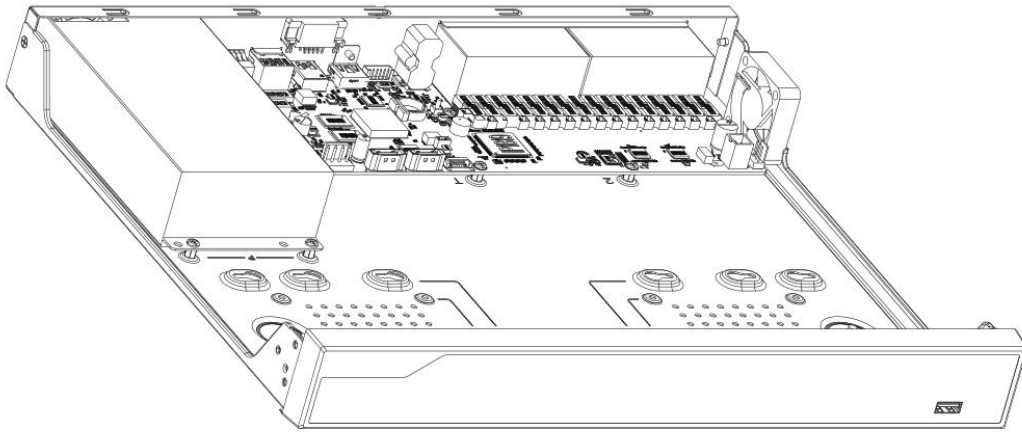
Step2: Slide the upper casing to the rear first and lift it up.



Step3: The internal structure of the nvr is shown as below.

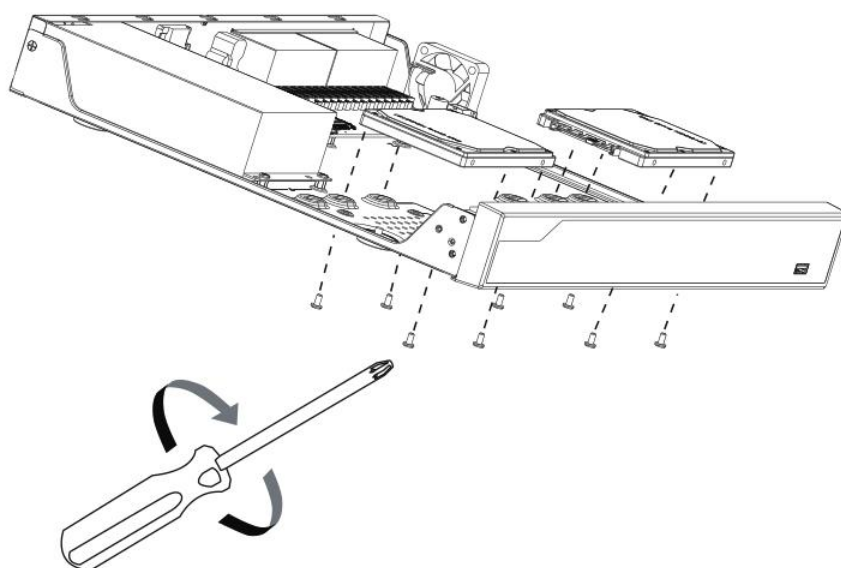


(MS-N5008-UC)

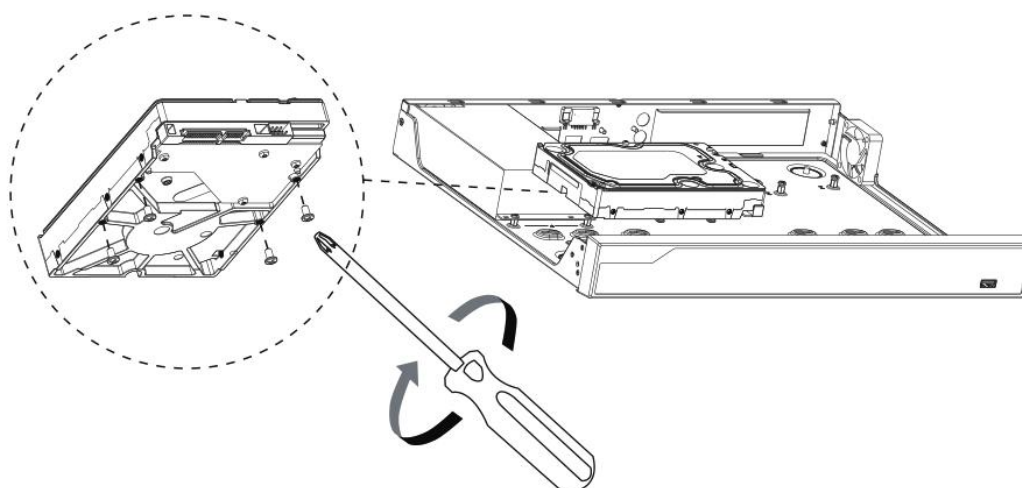


(MS-N5008-UPC)

Step4: Secure the HDD from the bottom of the casing. 4 screws for each HDD.

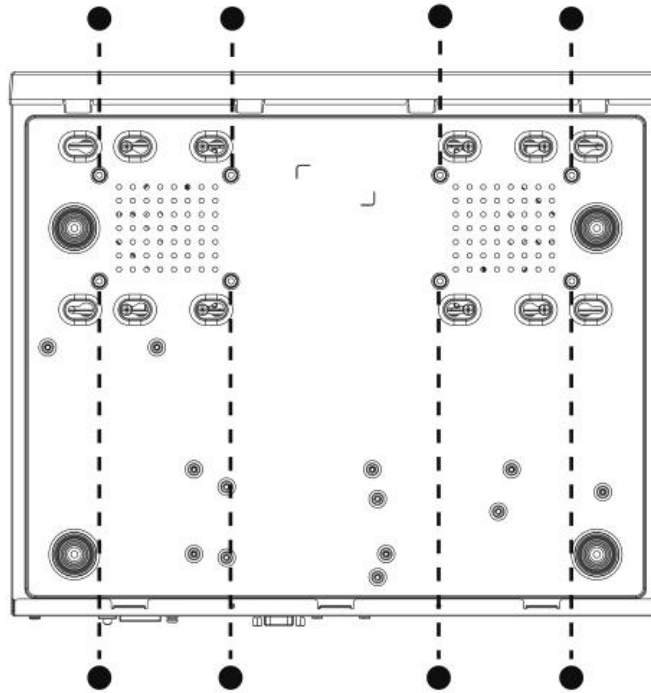


(2.5" HDD Installation)

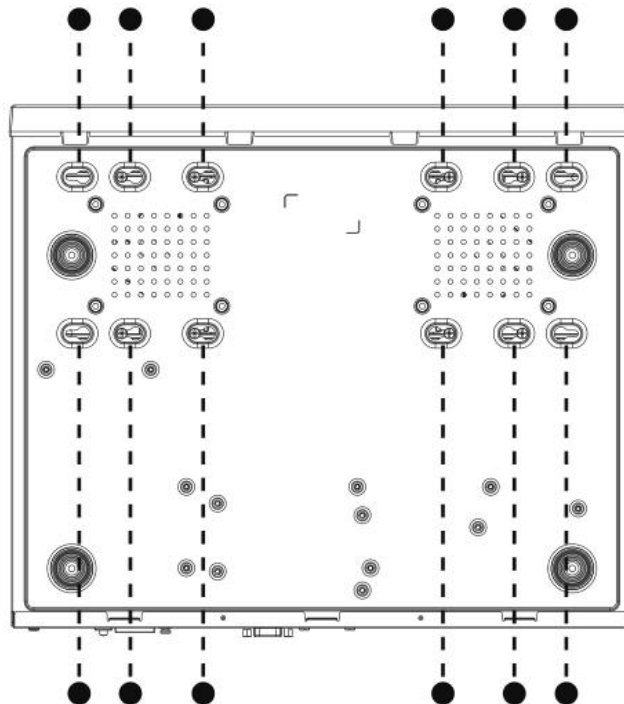


(3.5" HDD Installation)

Step5: After that, check if all the screws are tightened. Then connect the power cable and data cable to each HDD.

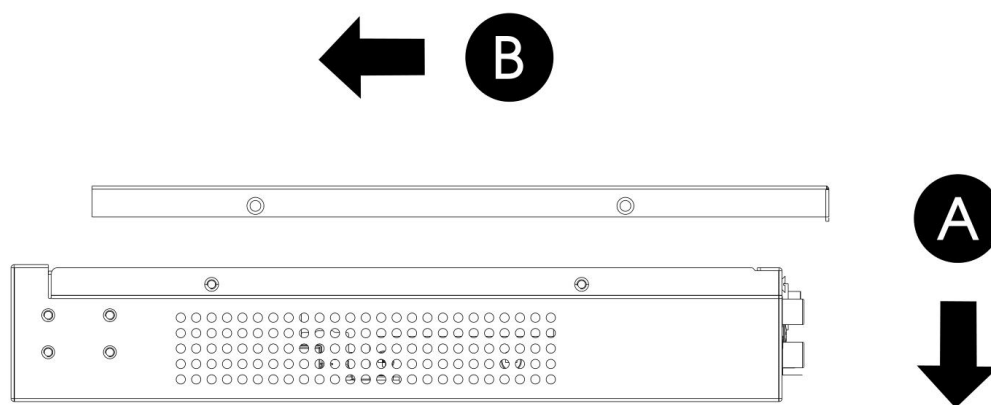


(Screw Position of 2.5" HDD)

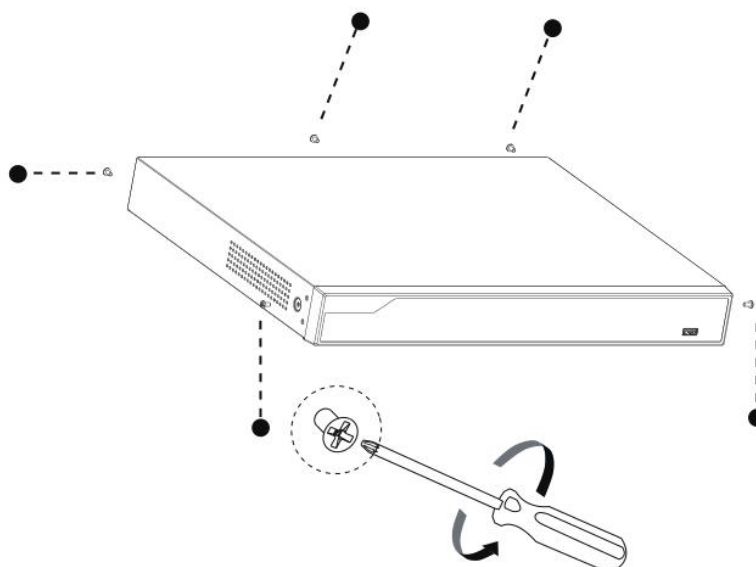


(Screw Position of 3.5" HDD)

Step7: Pull down the upper casing and slide it to the front.

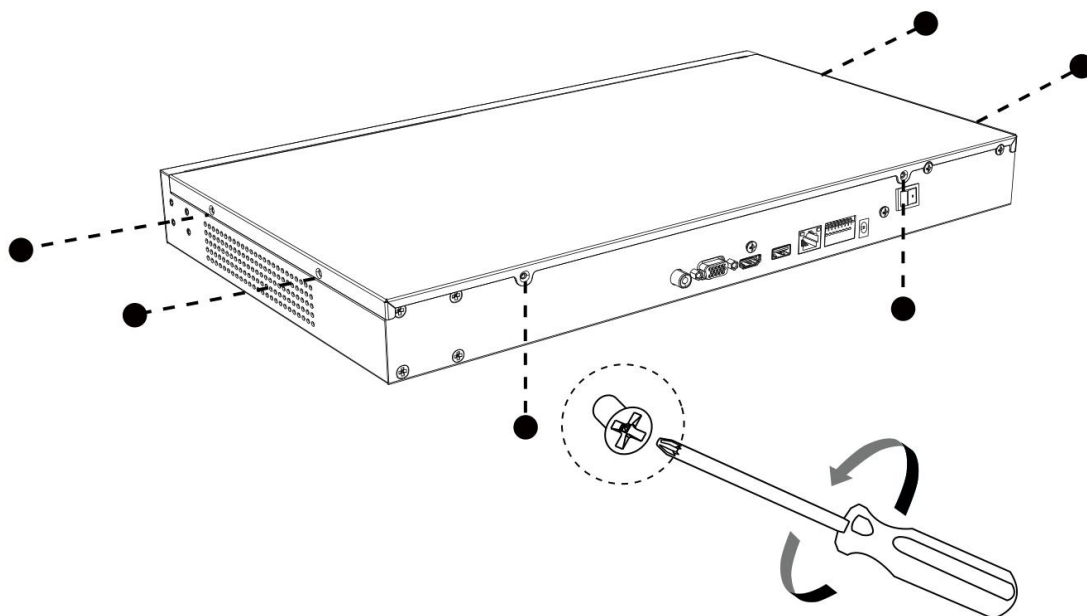


Step7: Lock the screws on the rear panel and side panel.

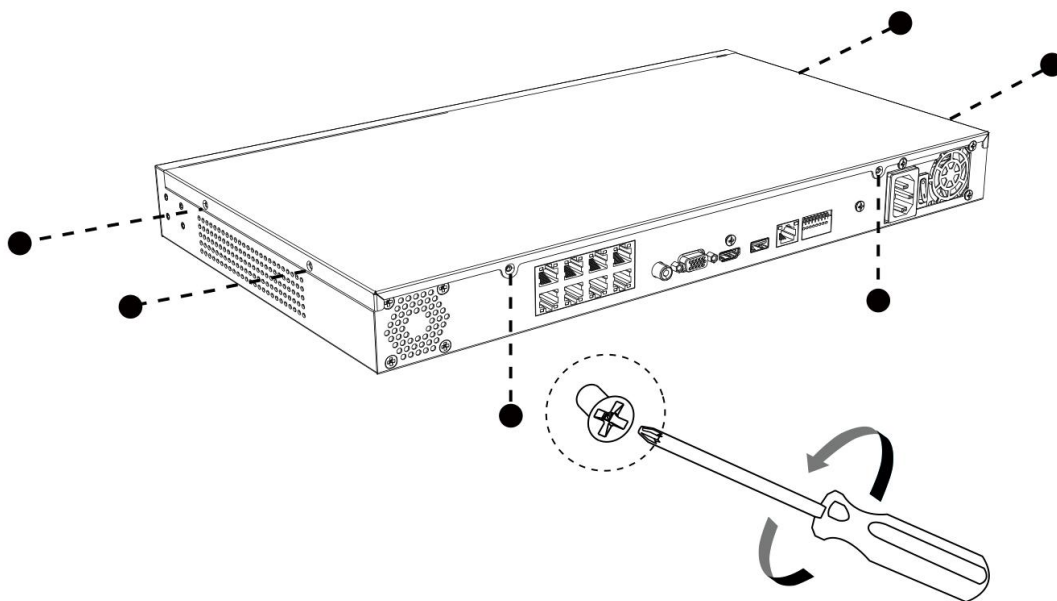


MS-N5016-E/MS-N5016-PE:

Step1: Using a cross screwdriver to remove the screws at the rear panel in an anticlockwise direction.

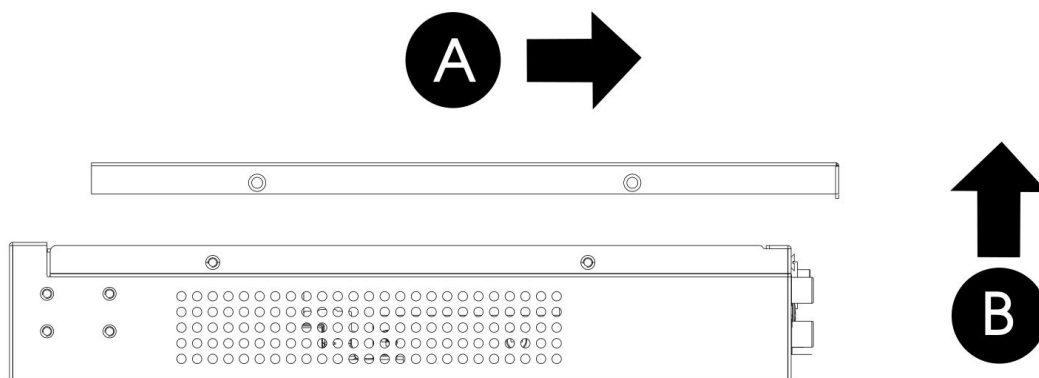


(Pro 5000 Series)

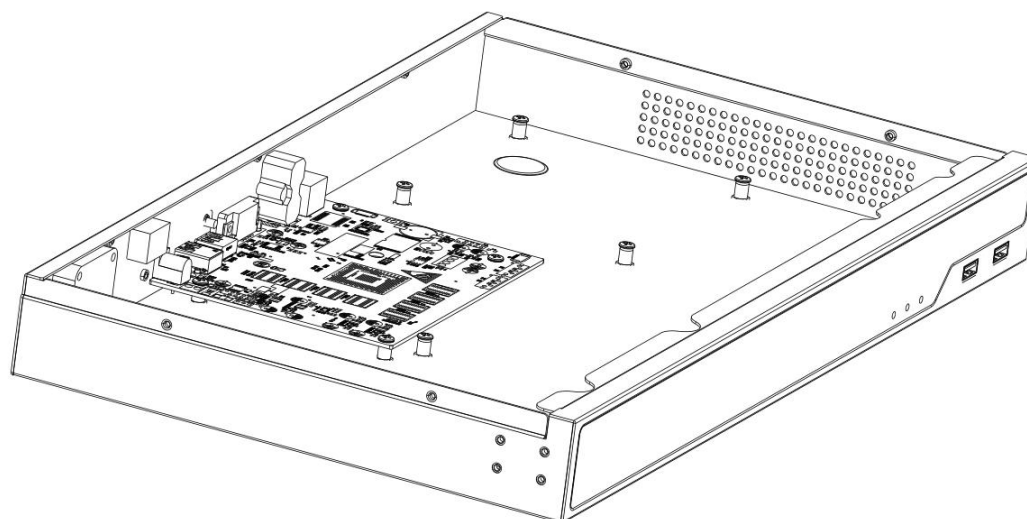


(PoE 5000 Series)

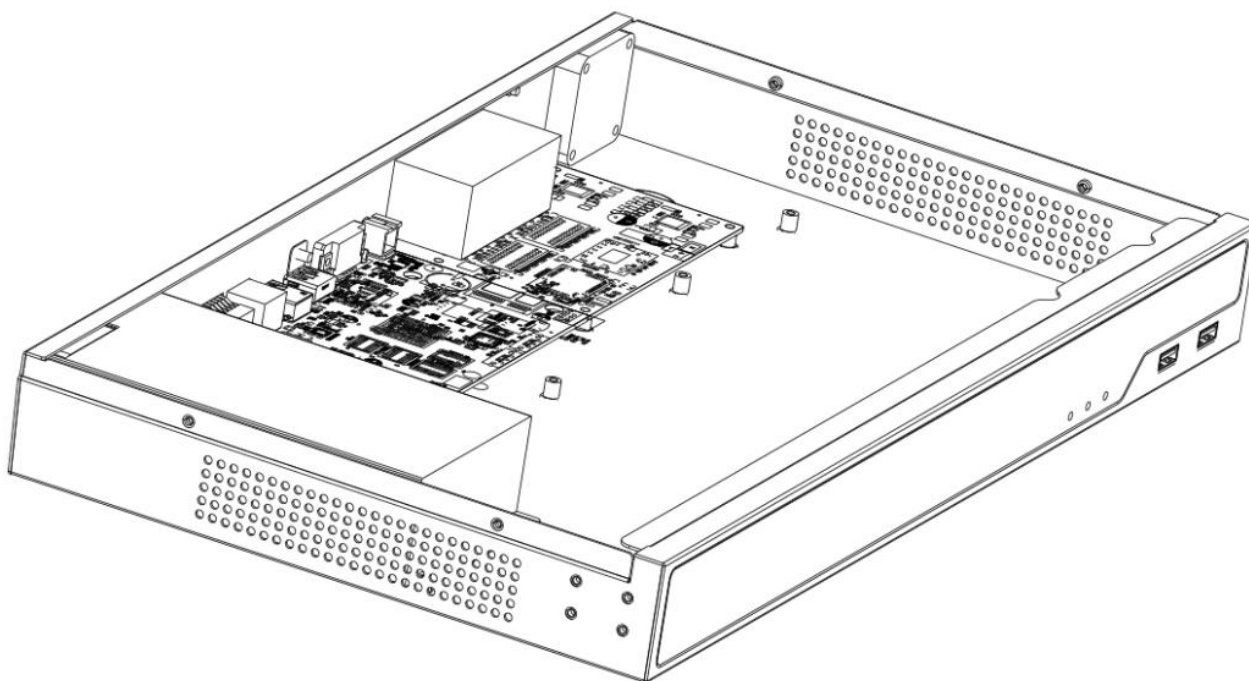
Step2: Slide the upper casing to the right first and lift it up.



Step3: The internal structure of nvr is shown as below.

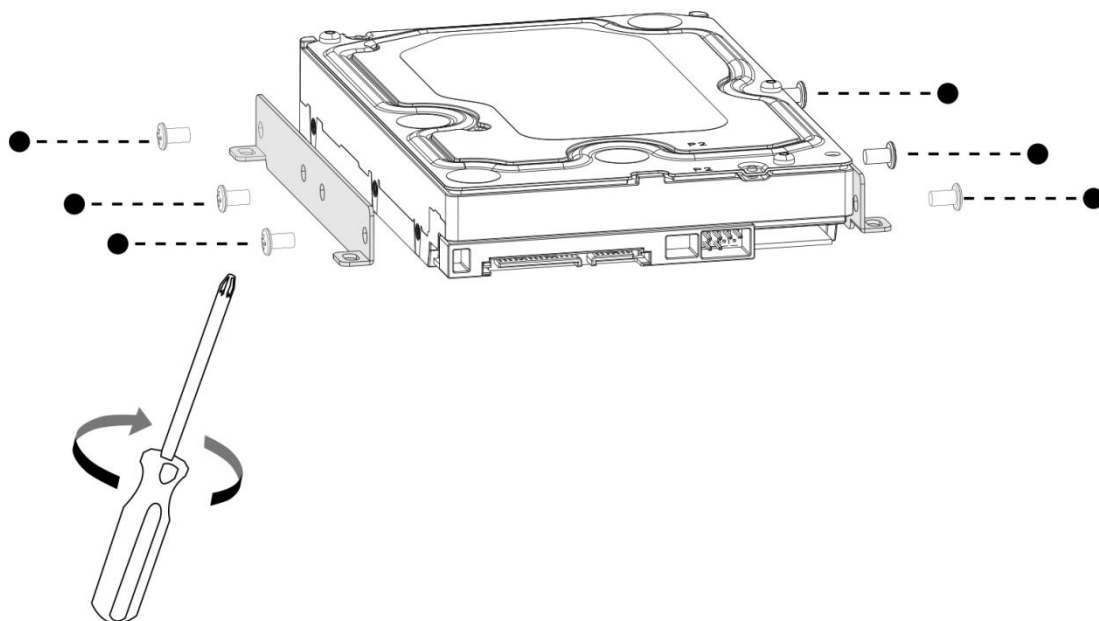


(MS-N5016-E)

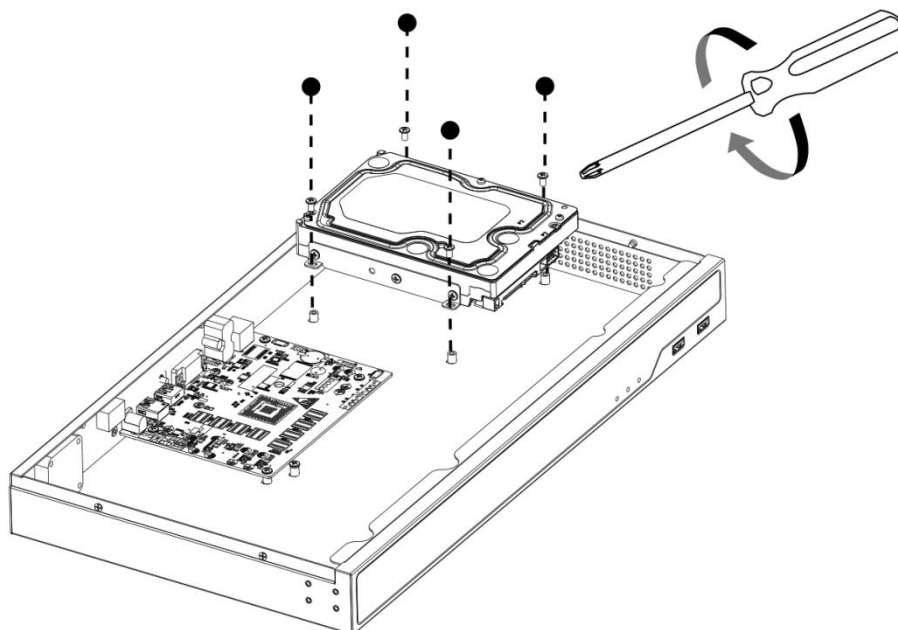


(MS-N5016-PE)

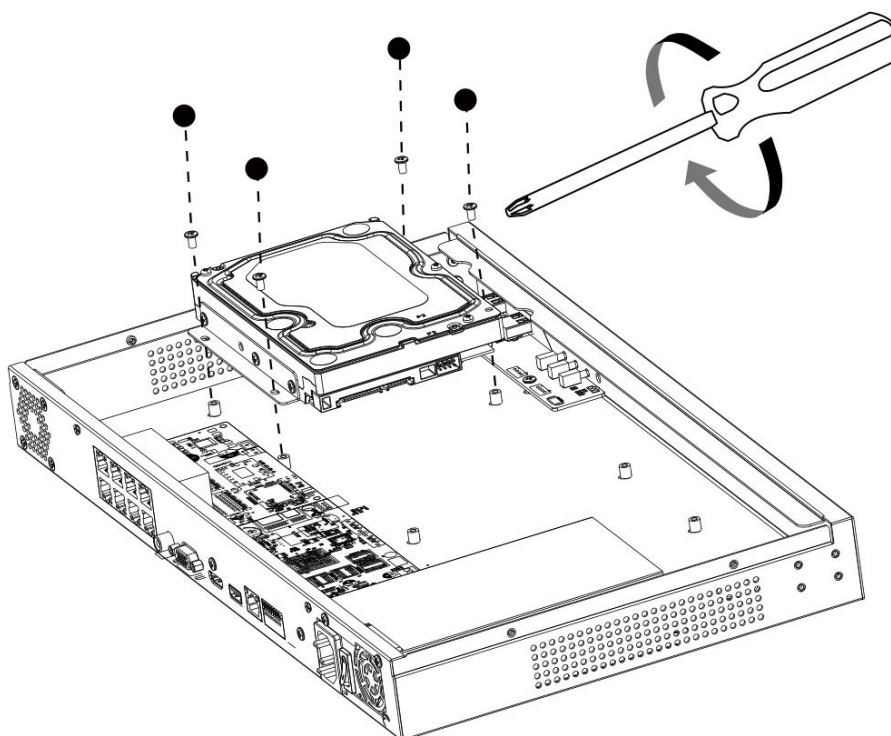
Step4: Hard Disk Installation: Lock the hard disk with the HDD bracket. 6 screws for each hard disk installation.



Step5: Secure the HDD brackets with hard disks in the casing. 4 screws for each HDD bracket.

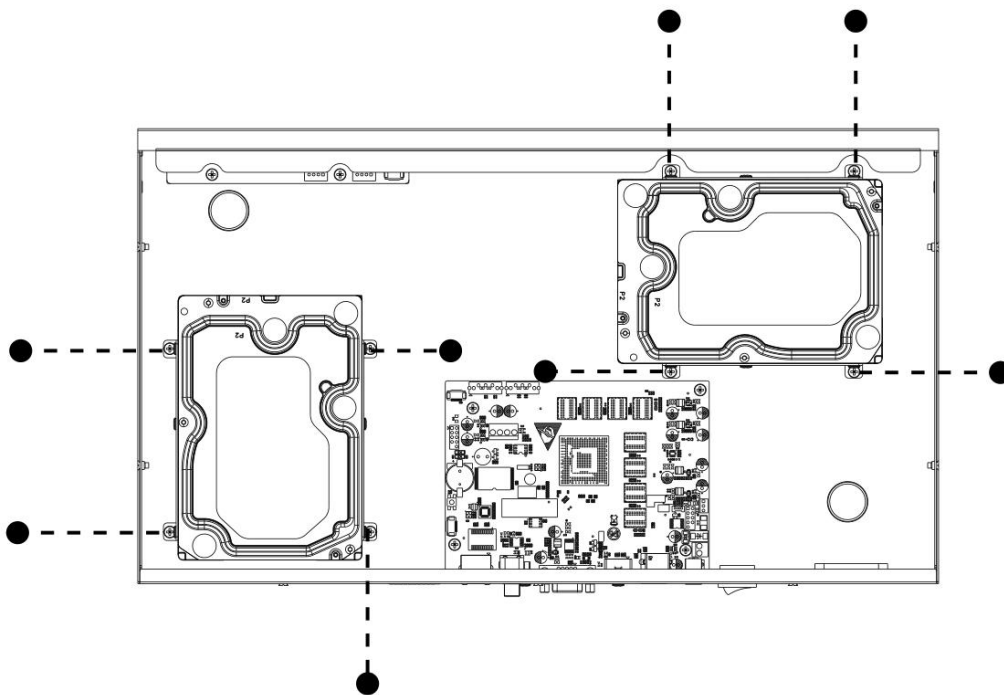


(MS-N5016-E)

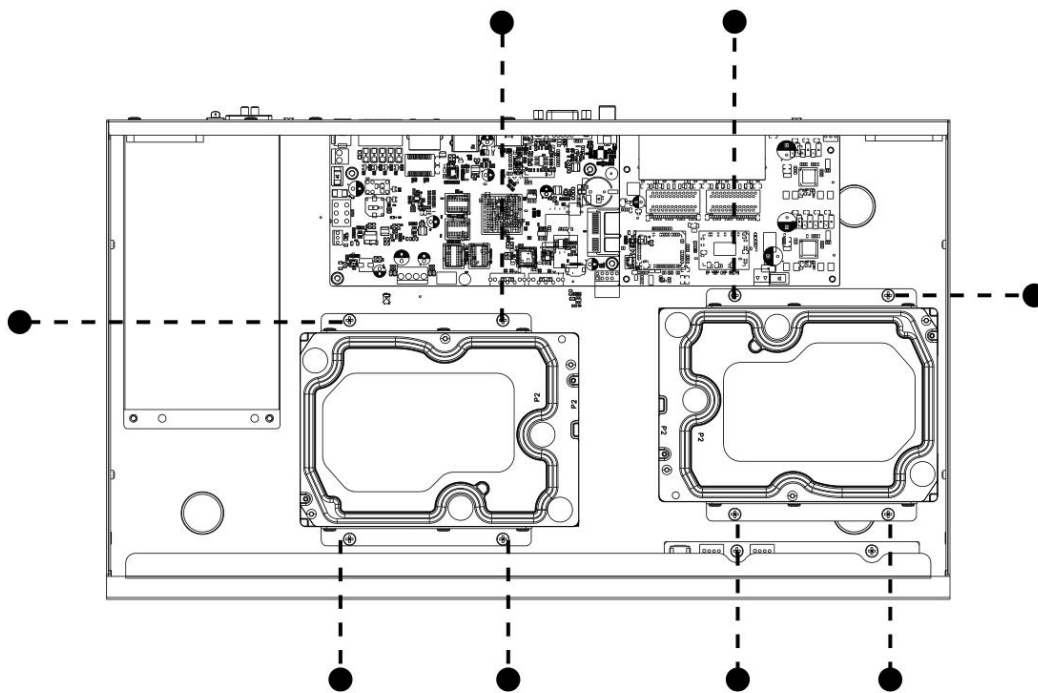


(MS-N5016-PE)

Step6: After that, check if all the screws are tightened. Then connect the power cable and data cable to each HDD.

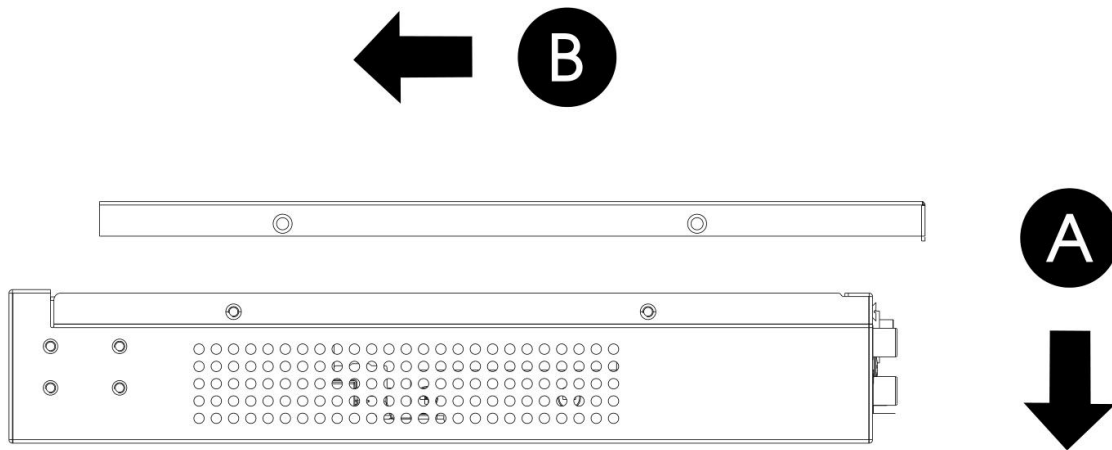


(MS-N5016-E)

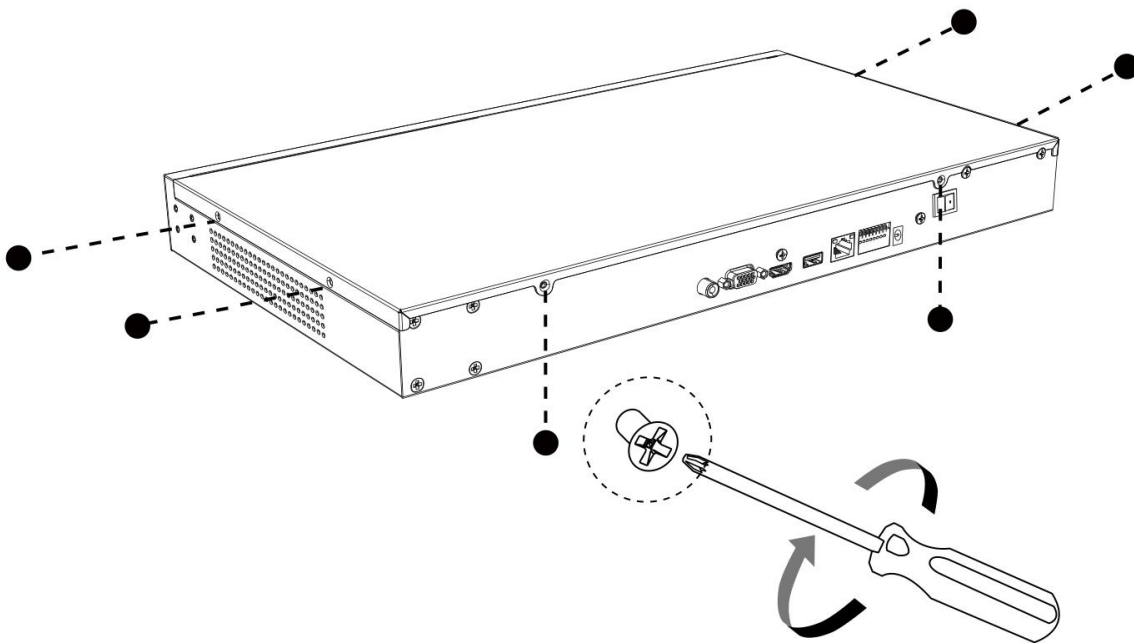


(MS-N5016-PE)

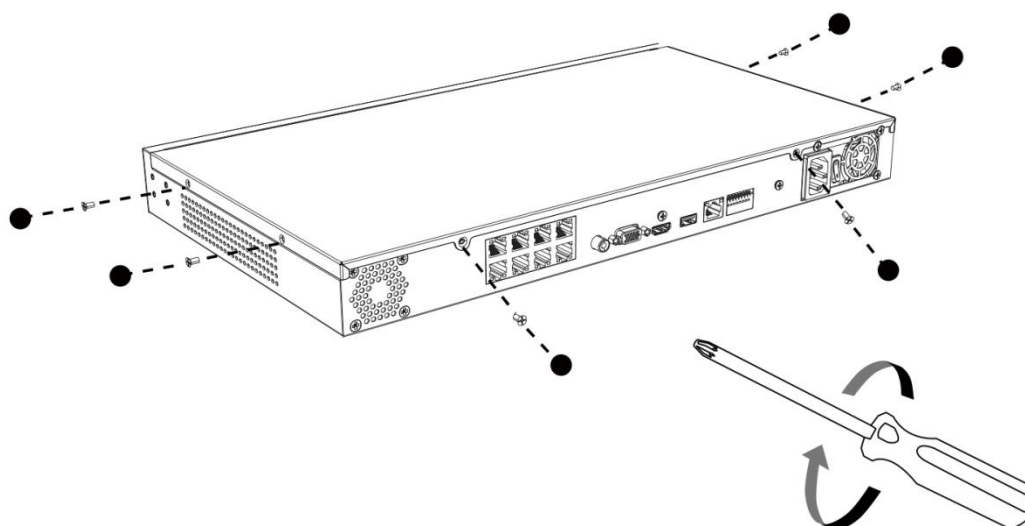
Step7: Pull down the upper casing and slide it to the left.



Step8: Retighten the screws on the rear panel.



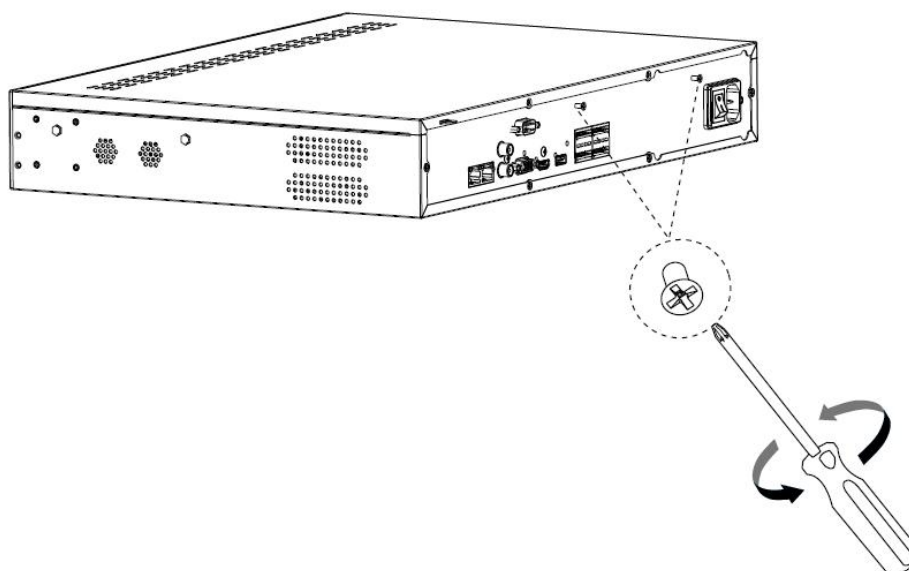
(MS-N5016-E)



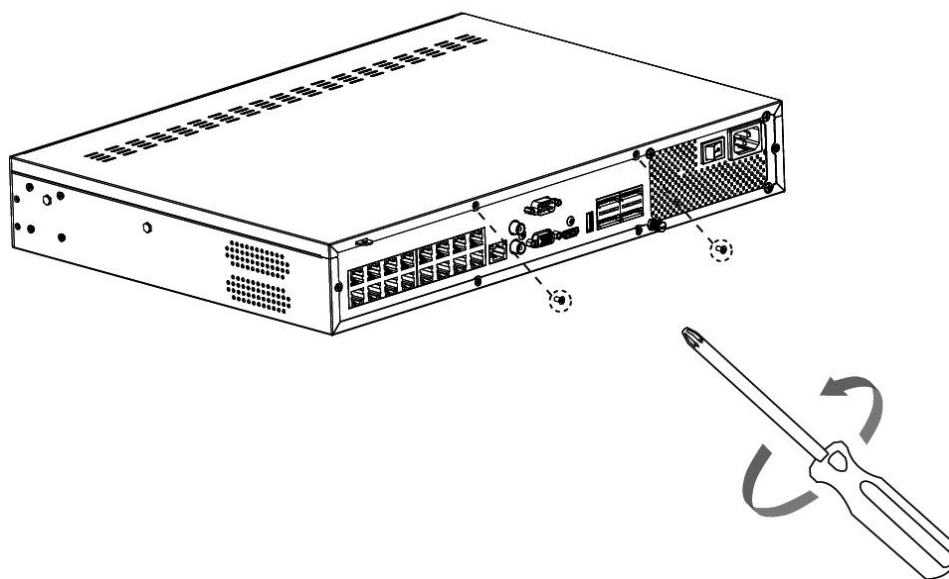
(MS-N5016-PE)

4.3 Pro/PoE NVR 7000 Series Installation

Step1: Using a cross screwdriver to remove the screws at the rear panel in an anticlockwise direction.

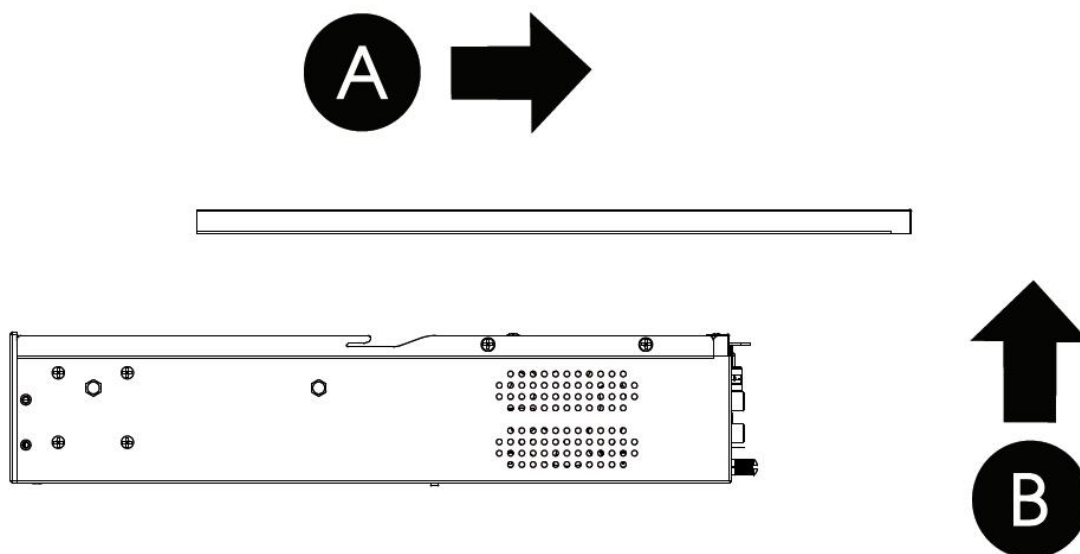


(Pro 7000 Series)

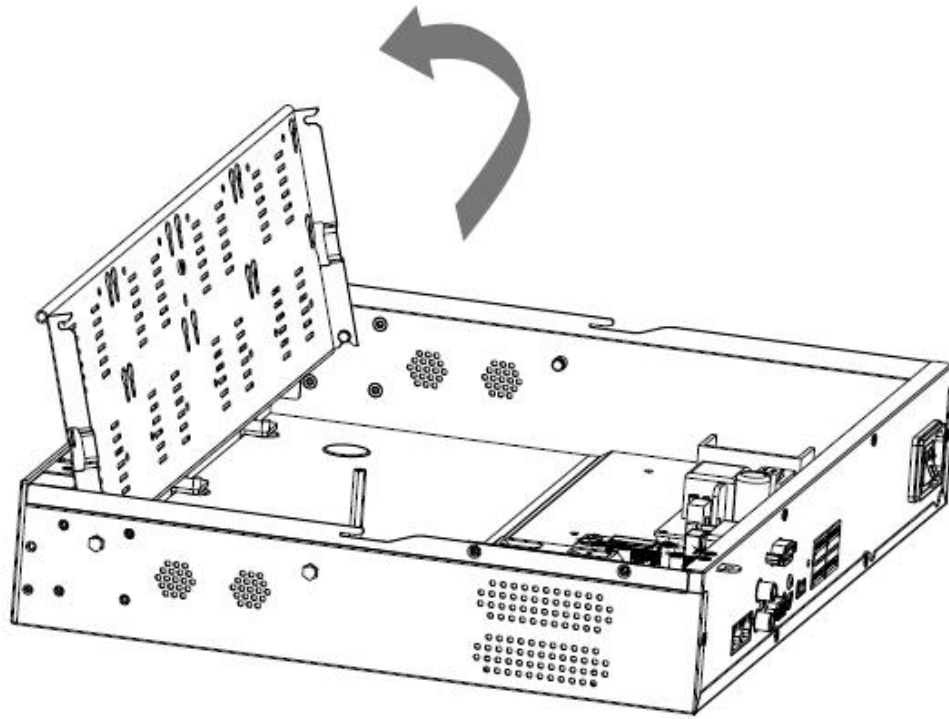


(PoE 7000 Series)

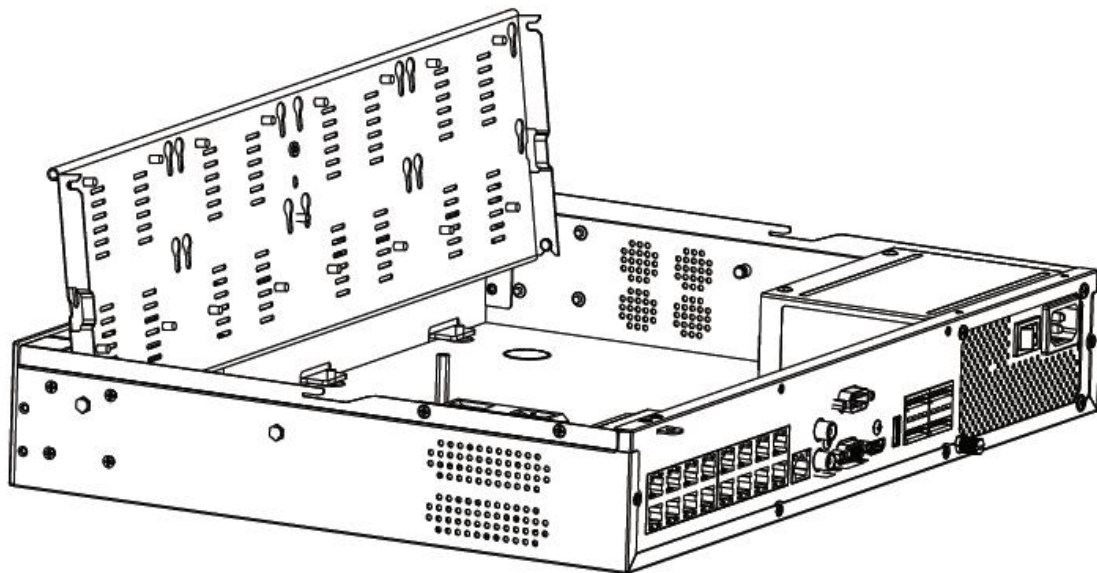
Step2: Slide the upper casing to the right first and lift it up.



Step3: The HDD bracket is rotatable and can be taken down by pulling up and rotating one side of it.



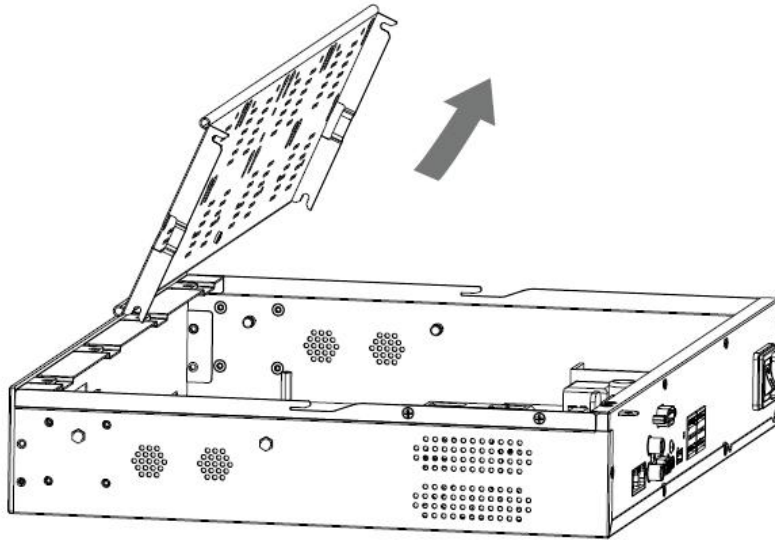
(Pro 7000 Series)



(PoE 7000 Series)

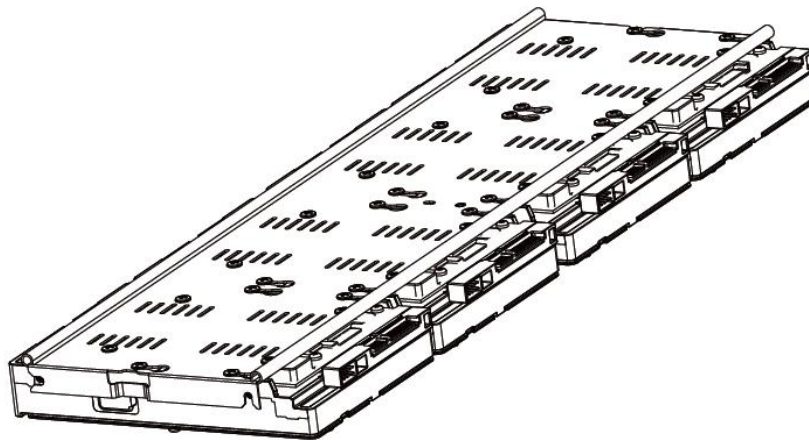
Step4: To install HDD more conveniently, you can:

1) Remove the bracket.

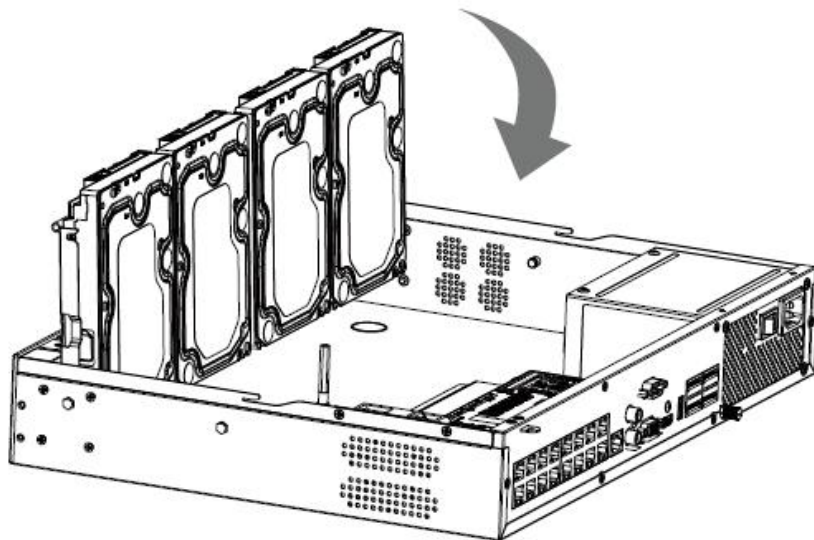


(Pro 7000 Series)

2) Install the HDD on the bracket.

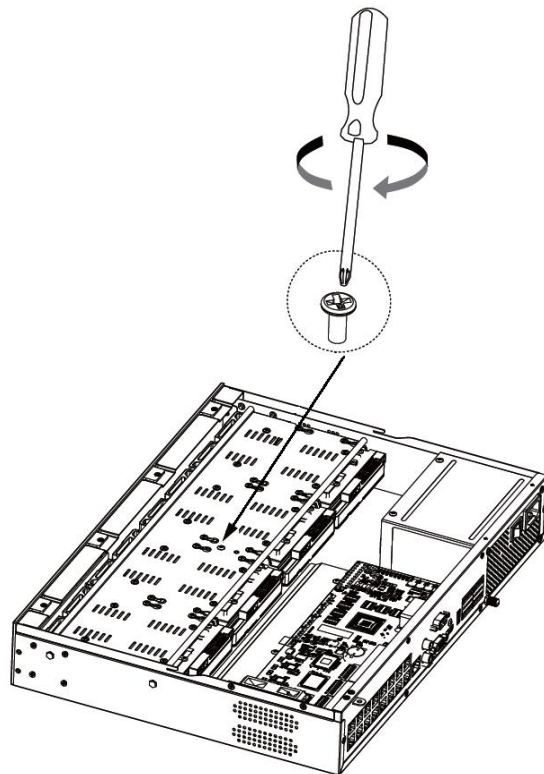


3) After securing the HDD on bracket, insert the bracket back to the NVR.



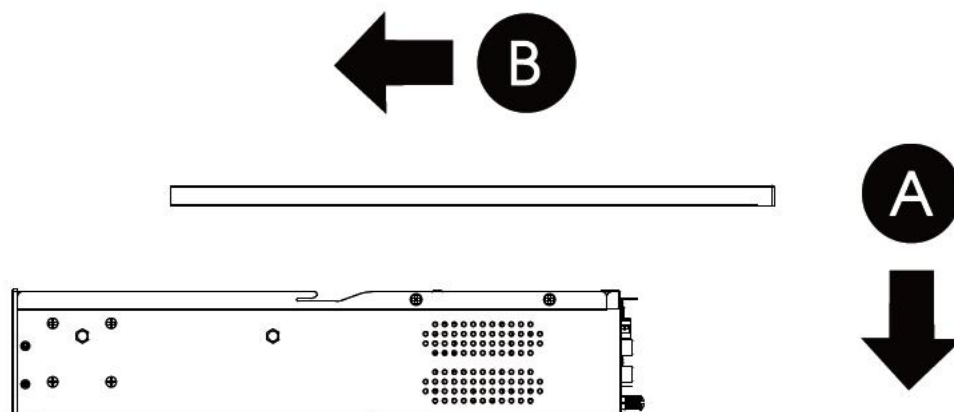
(PoE 7000 Series)

Step5: Check if all the 16 screws in HDD bracket are screwed tightly, if not, screw them tightly in an clockwise direction. And fix the bracket with a screw in the middle of bracket. Then connect the power cable and data cable to each HDD.

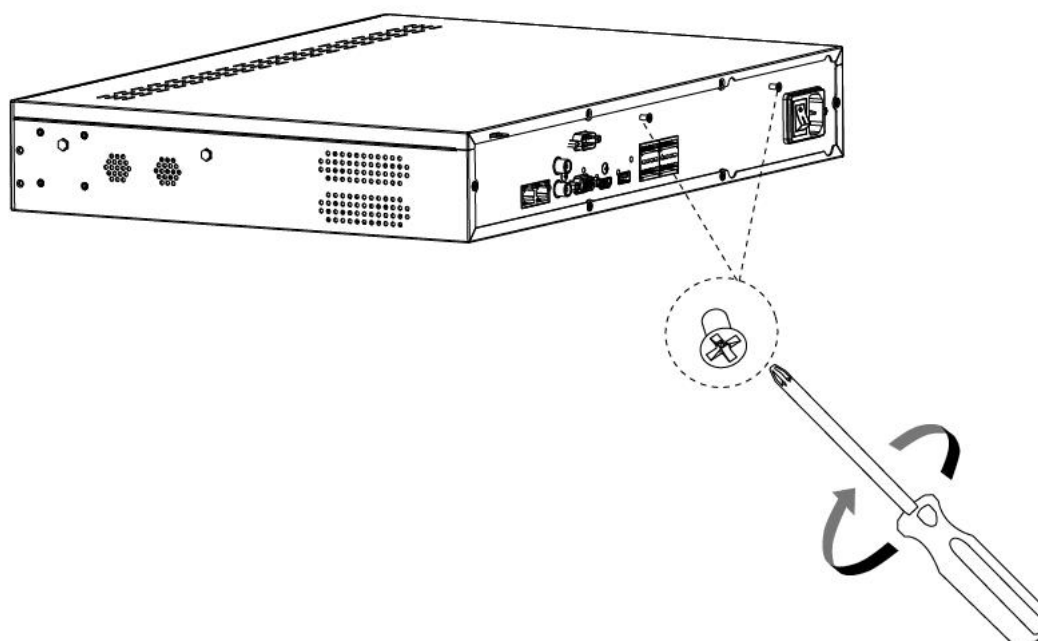


(PoE 7000 Series)

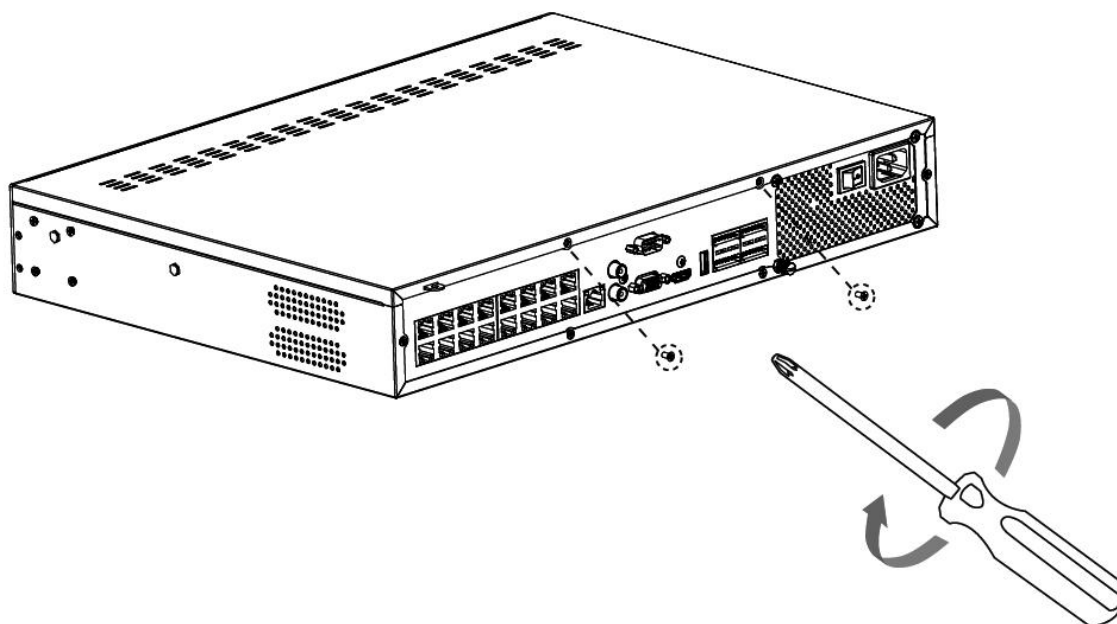
Step6: Pull down the upper casing and slide it to the left.



Step7: Retighten the screws on the rear cover.



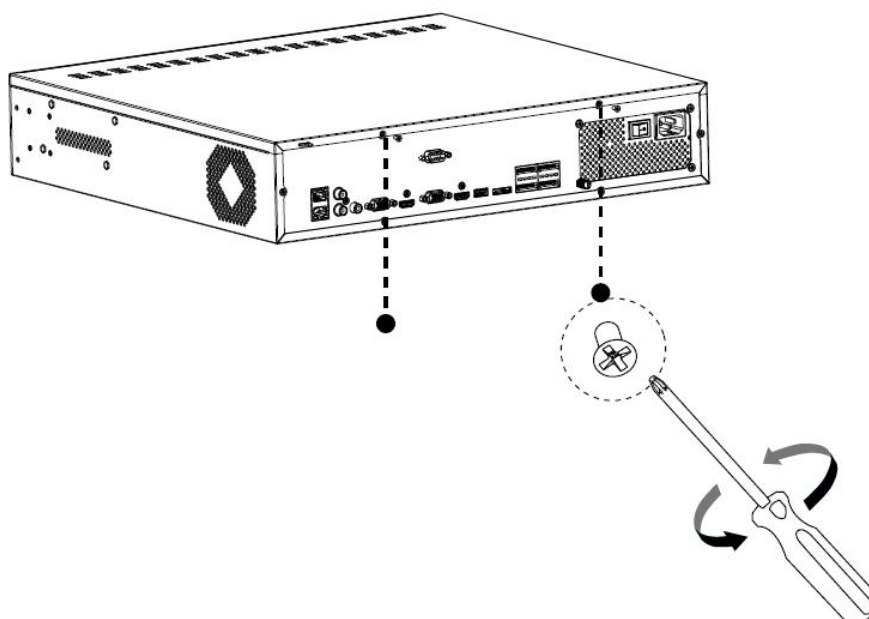
(Pro 7000 Series)



(PoE 7000 Series)

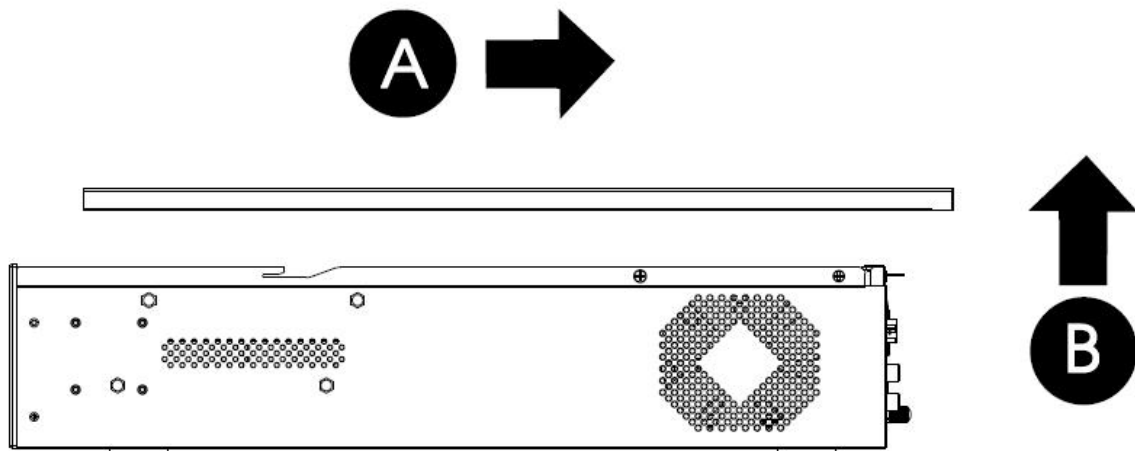
4.4 Pro NVR 8000 Series Installation

Step1: Using a cross screwdriver to remove the screws at the rear panel in an anticlockwise direction.

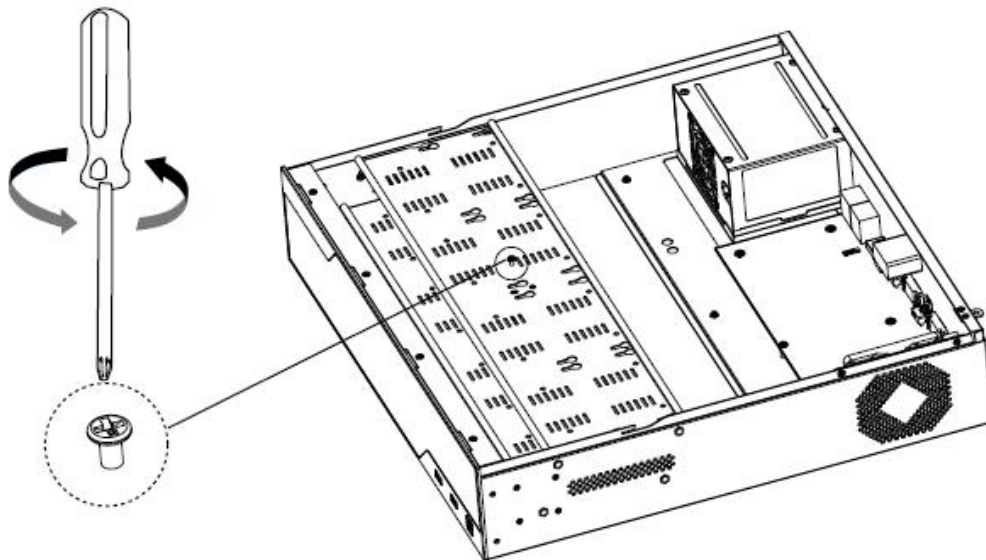


(Pro 8000 Series)

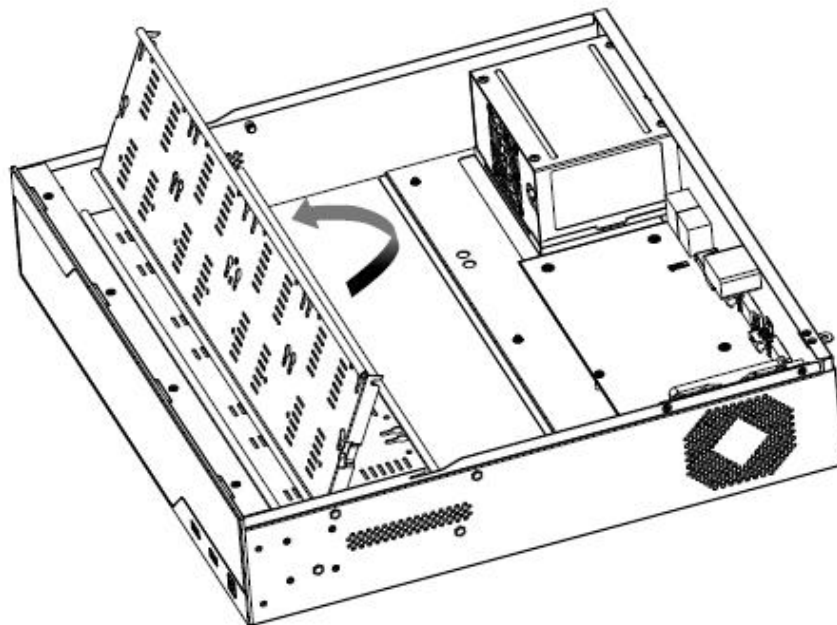
Step2: Slide the upper casing to the right first and lift it up.



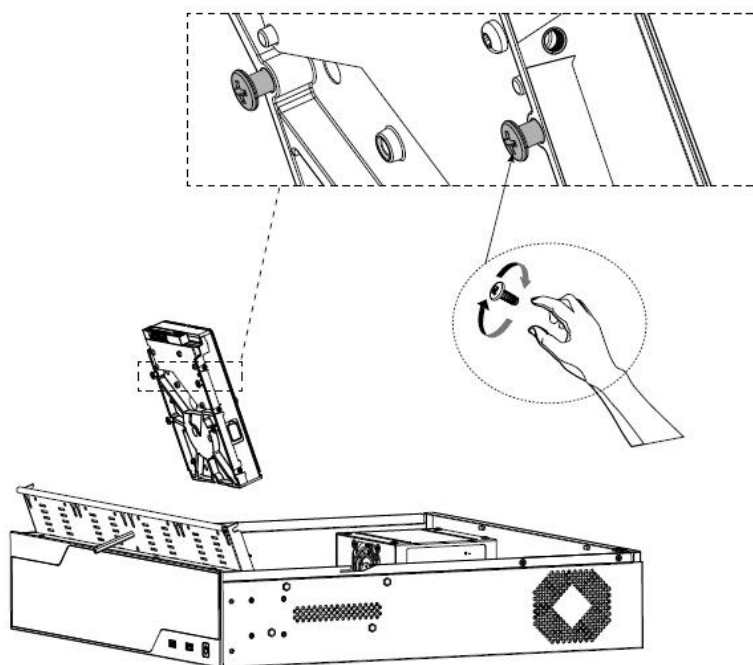
Step3: Using the screwdriver to remove the screw in the middle of HDD bracket in an anticlockwise direction (Pro 7000 has only one HDD bracket and Pro 8000 has two, while the installation steps are the same).



Step4: The HDD bracket is rotatable and can be taken down by pulling up and rotating one side of it.

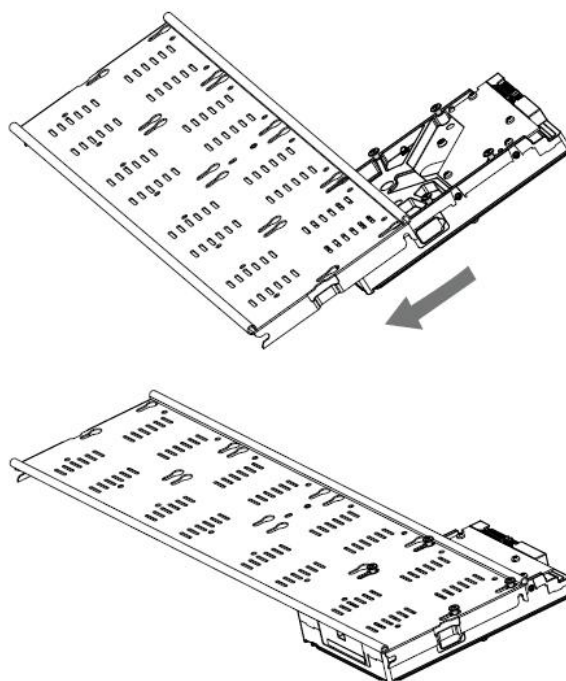


Step5: Secure the HDD with 4 screws. Don't screw tight and leave about 1mm distance at the side of each screw nut. As the enlarged drawing shows:

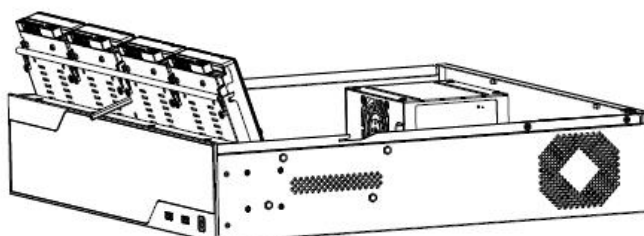
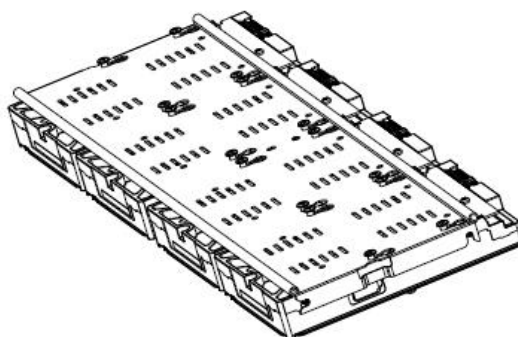


Step6: After securing each HDD with 4 screws, stuck the side with screw nuts in the bracket's slots and then slide down to fix the HDD in the bracket. Screw

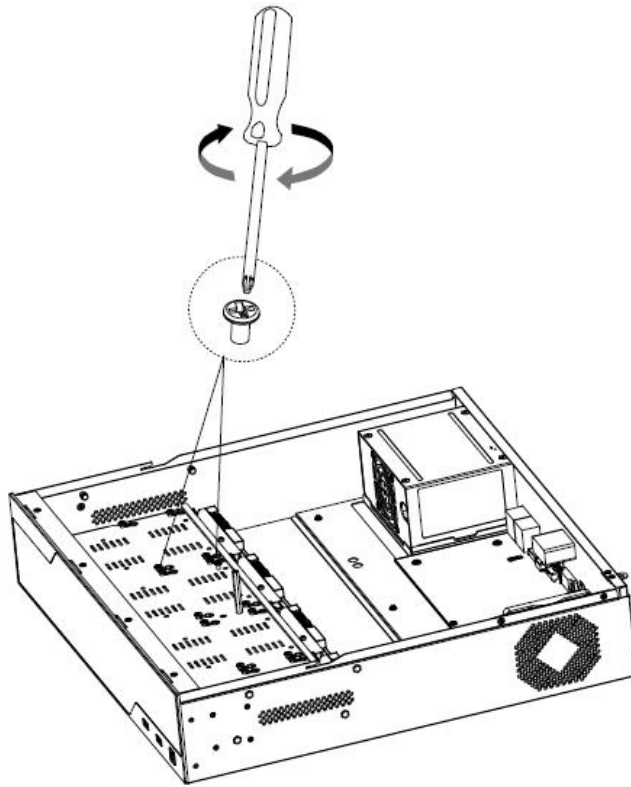
tight with screwdriver.



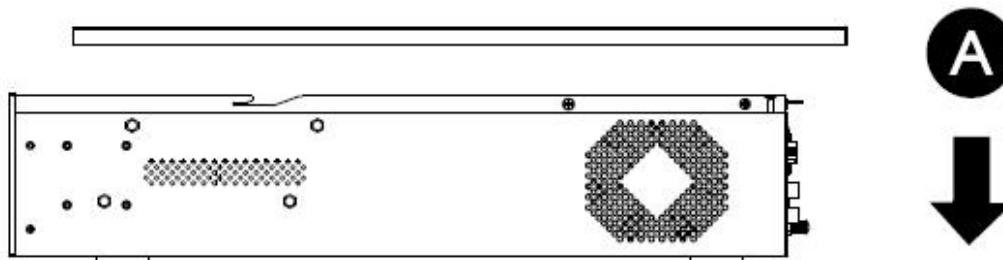
Step7: Repeat the above steps to install HDD in the bracket. Remember to check if you have screwed tight.



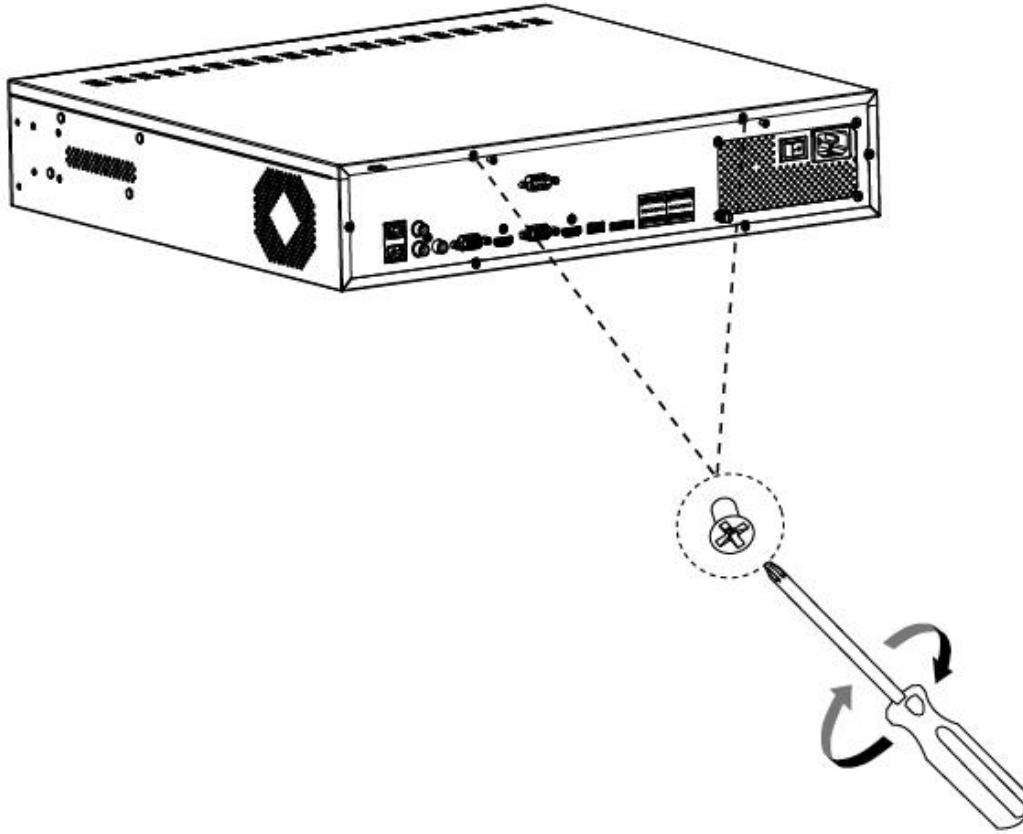
Step8: Secure the 16 screws in HDD and fix the bracket with a screw in the middle of it. Then connect the power cable and data cable to each HDD.



Step9: Pull down the upper casing and slide it to the left.



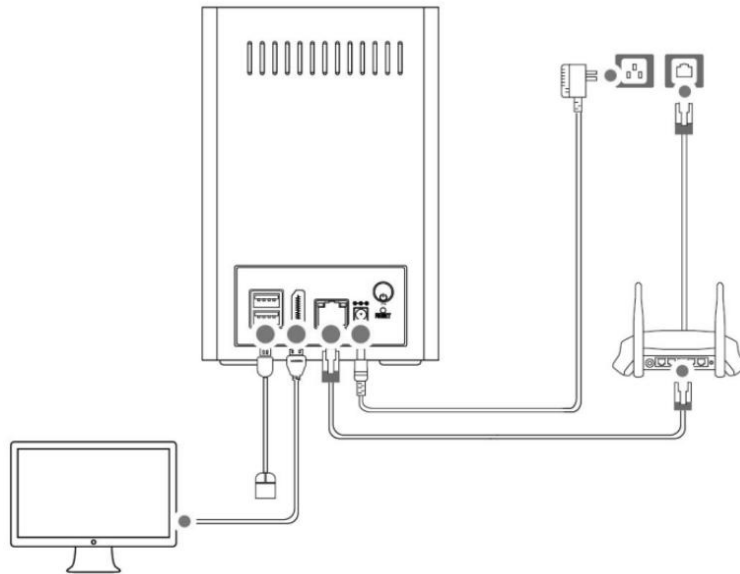
Step10: Retighten the screws on the rear panel.



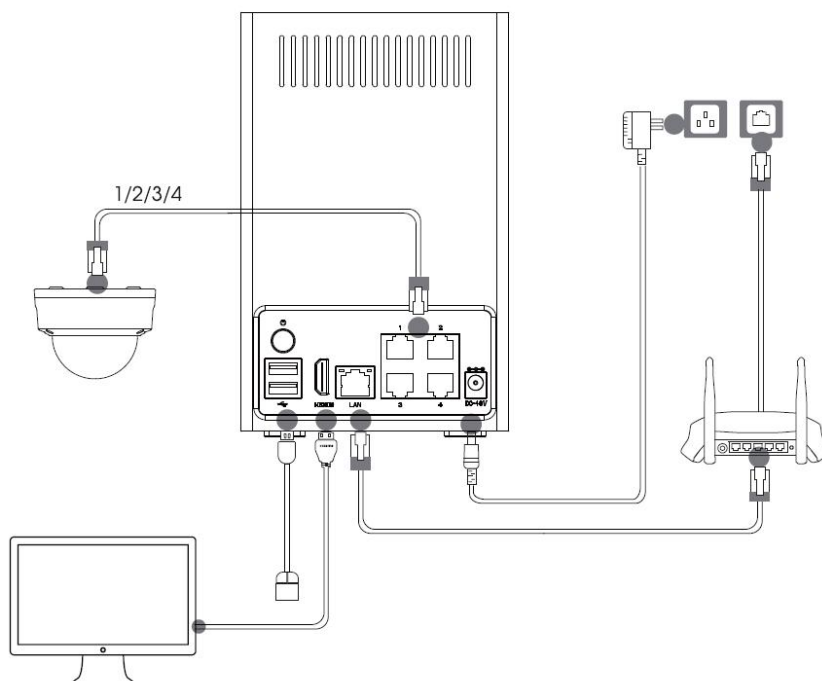
(Pro 8000 Series)

5.Connection Overview

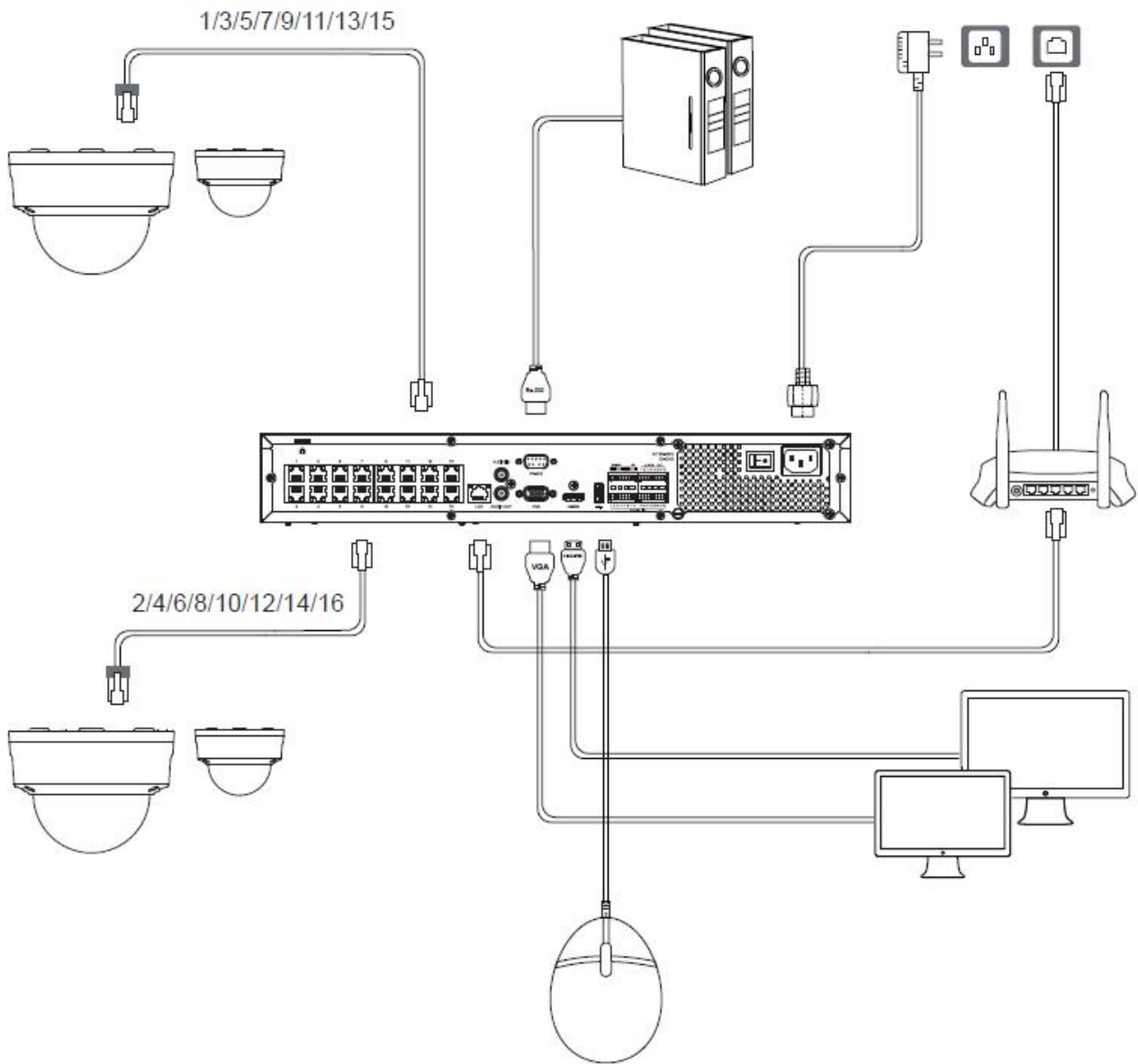
Connect different devices to the interfaces of NVR, taking Mini (PoE) NVR Series (MS-N1008-UNC & MS-N1008-UNPC) and PoE 7000 NVR Series (MS-N7016-UPH) for example:



(Mini NVR Series (MS-N1008-UNC))



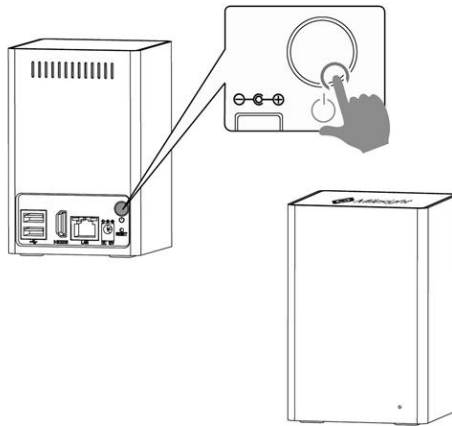
(Mini PoE NVR Series (MS-N1008-UNPC))



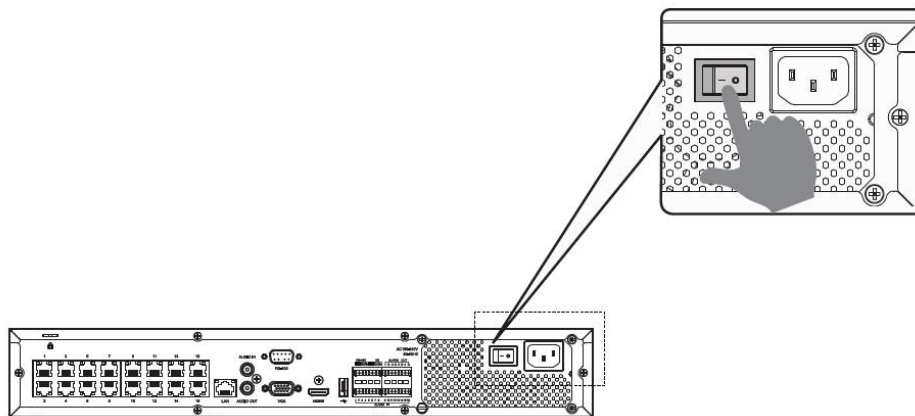
(PoE 7000 Series (MS-N7016-UPH))

6. Ready to Start

Press the power button, the LED Indicator will light steadily when it is connected to a power source, taking Mini NVR Series (MS-N1009-UT) and PoE 7000 NVR Series (MS-N7016-UPH) for example:



(Mini NVR Series (MS-N1009-UT))



(PoE 7000 Series (MS-N7016-UPH))

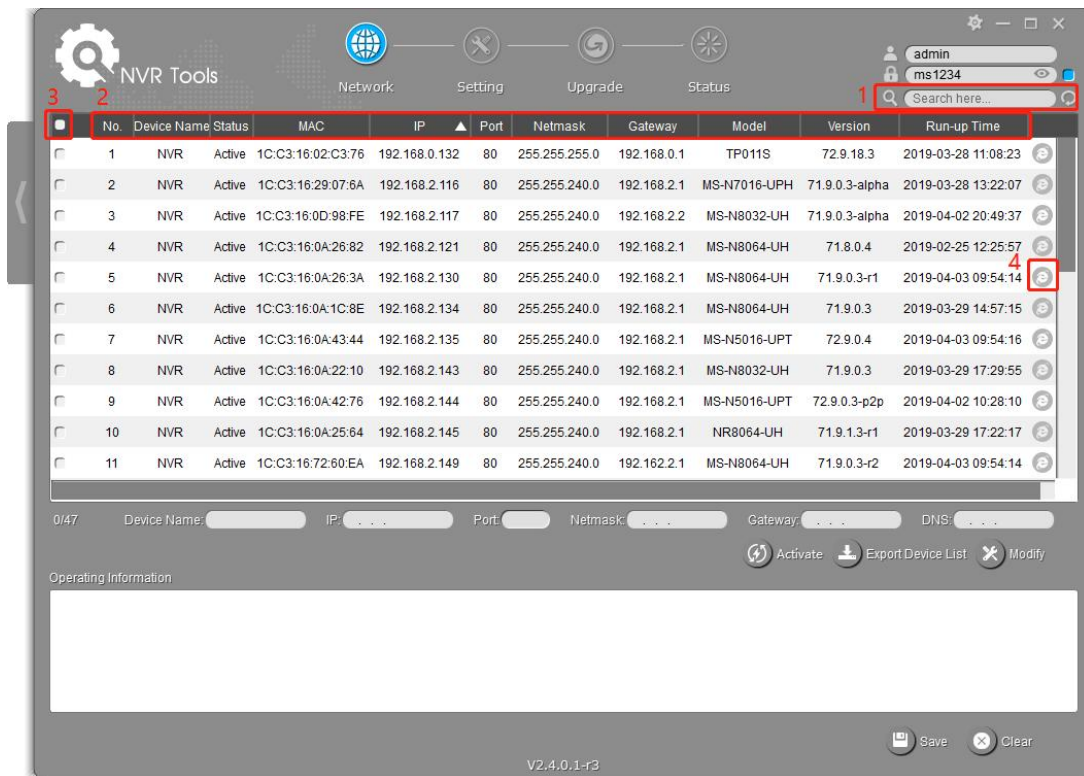
Note: Milesight 4-CH/8-CH/16-CH/24-CH Plug and Play NVR features 4/8/16/24 independent PoE Ports. The software can automatically detect and configure the network cameras just after being plugged the cable, greatly eliminating the need for much time and expertise, and achieving a virtually hassle-free installation process.

7. Access to NVR

7.1 Search the NVR via Smart Tools

If the IP address of the NVR is unknown, please use the Smart Tools to search the IP address. Smart Tools can automatically detect online Milesight NVRs connected in the LAN. You can get the IP address of the NVR by searching in the Tools.

Click on the NVR Tools button to enter the NVR Tools interface:



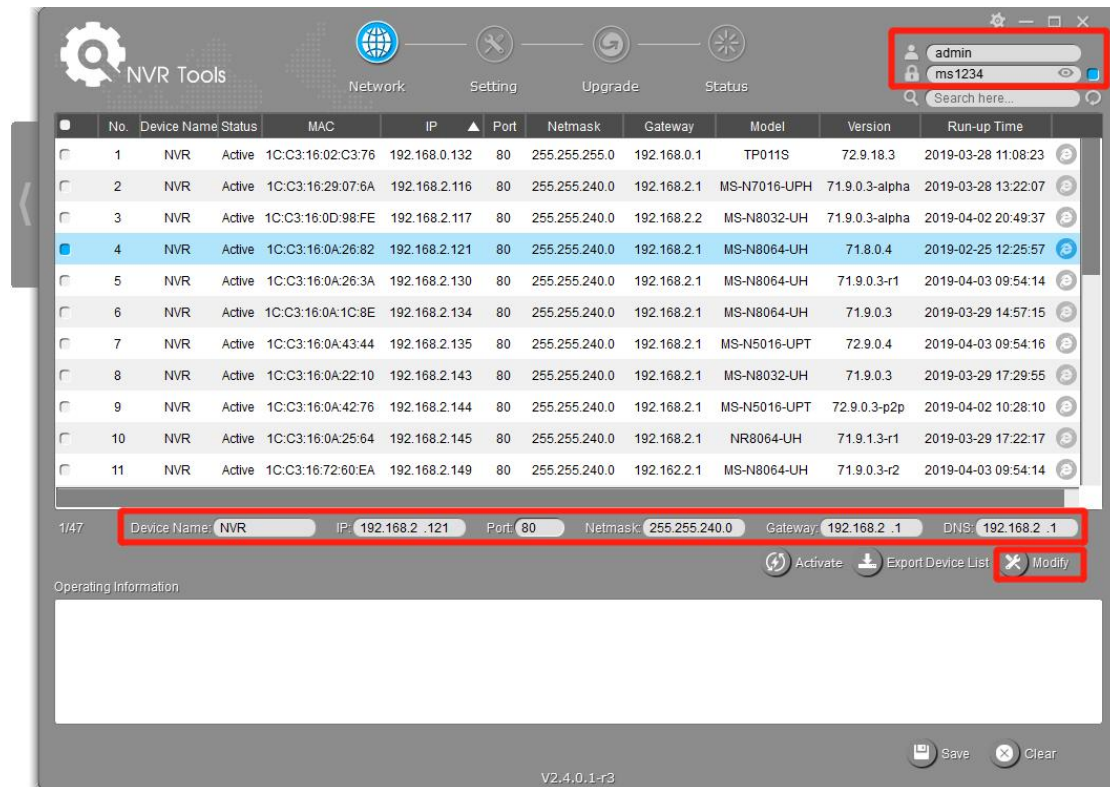
The specific steps are as follows:


Step1: Input the MAC address (marked as 1) to search your NVR;

Step2: Click on the area (marked as 2) to list the NVR one by one;

Step3: Click on your NVR in the list (marked as 3), then you can change the parameters including the IP address, Port, Netmask, Gateway and DNS.

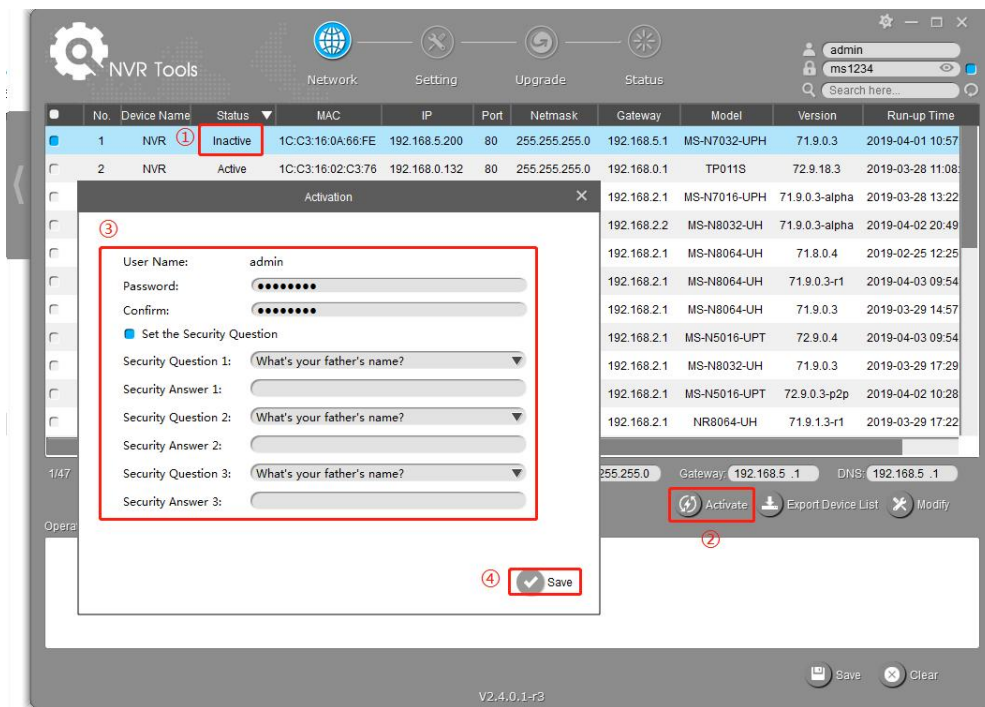
If the selected NVR shows "Active" in the status bar, you can directly type the User Name and Password (NVR with version lower than 7x.9.0.3 is using admin/ms1234 by default), change the IP address or other network values, and then click "Modify" button;



If the selected NVR shows "Inactive" in the status bar (NVR with version V7x.9.0.3 or above), click  to set the password when using it for the first time. You can also set the security questions when activating the NVR in case that you forget the password (You can reset the password by answering three security questions correctly). Click 'Save' and it will show that the activation was successful.

Note:

- (1) Password must be 8 to 32 characters long, contain at least one number and one letter.
- (2) You need to upgrade Smart Tools version to V2.4.0.1 or above to activate the NVR.



After activation, you can change the IP address or other network values, and then click “Modify” button. (Default IP address of NVR is 192.168.5.200.)

Step4: Click on the Browser button (marked as 4) to access to the web page of the NVR;

You can get more information about Smart Tools from the User Manual.

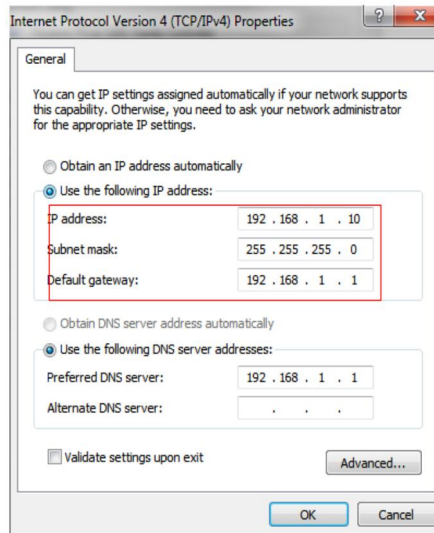
7.2 Via WEB

7.2.1 Log-in

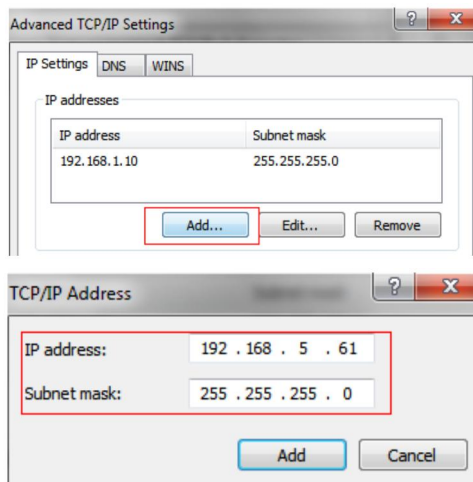
After the NVR being connected to the Internet, you can access to NVR via WEB by IP address.

If the network segment of the computer and that of the NVR are different, you need to change the IP address of computer to 192.168.5.0 segment, here are two ways as below:

- a. Start → Control Panel → Network and Internet Connection → Network Connection → Local Area Connection, and double click it.

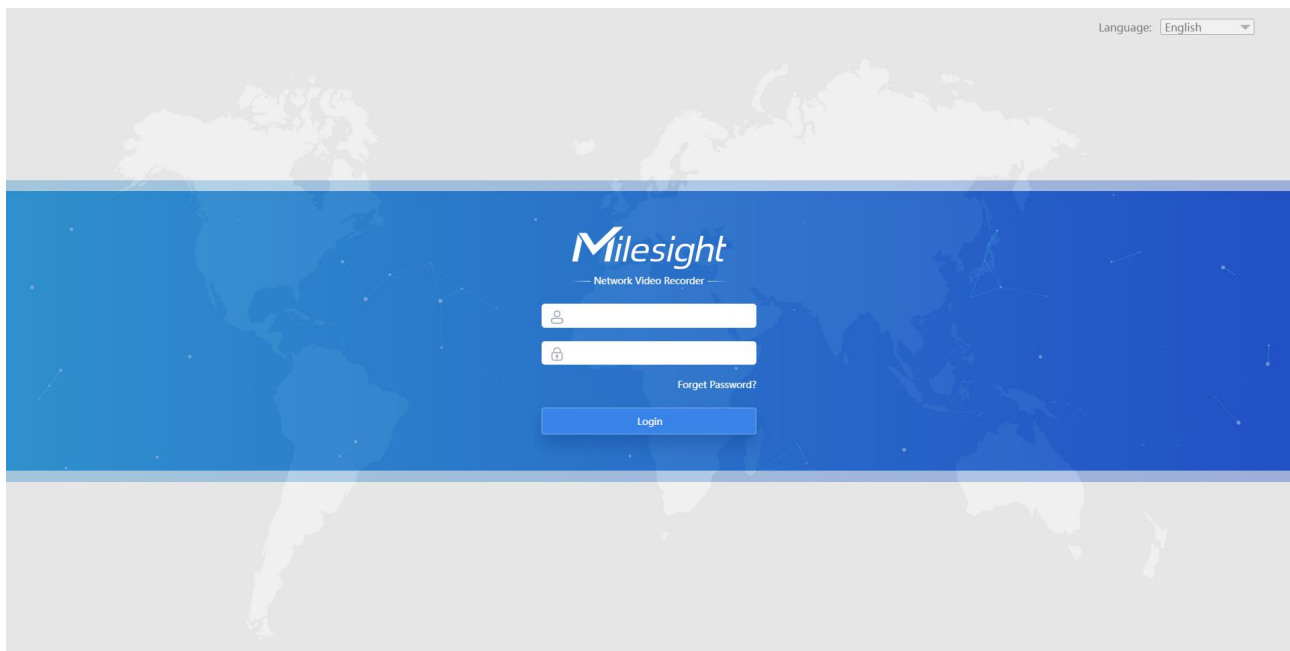


- b. Click “Advanced”, and then click “IP settings” → “IP address” → “Add”. In the pop-up window, enter an IP address that in the same segment with Milesight network camera (e.g. 192.168.5.61, but please note that this IP address shall not conflict with the IP address on the existing network);



Step2: Start the browser. In the address bar, enter the default IP address of the NVR: <http://192.168.5.200>;

Step3: If the NVR’s firmware version is lower than V7x.9.0.3, it will directly display the login page, you can log in the NVR with default user name([admin](#)) and default password([ms1234](#));



If the NVR's firmware version is V7x.9.0.3 or above, you need to set the password first when using it for the first time. And you can also set three security questions for your device after activation. Then, you can log in the device with You can log in to the NVR with the username(admin) and a custom password.

The image shows the 'Activation' screen of the NVR. It has a blue header with the word 'Activation' in white. Below the header, there are three input fields. The first field contains the text 'admin'. The second field is empty. The third field contains the text 'Confirm'. At the bottom of the screen is a blue button with the word 'Next' in white.

Security Question Setting

Question1: What's your father's name?

Answer1:

Question2: What's your father's name?

Answer2:

Question3: What's your father's name?

Answer3:

Note:

- (1) Password must be 8 to 32 characters long, contain at least one number and one letter.
- (2) You can click the “forget password” in login page to reset the password by answering three security questions when you forget the password, if you set the security questions in advance.
- (3) If the HTTP Port number is not the default number 80, please input the IP address as follows:
<http://IP:Port> .
- (4) If it's your first time to access to NVR via WEB, please install the plug-in. And please close the browser before installing the plug-in.

7.2.2 Live View

After logging in the NVR, you can add cameras to the NVR through the camera settings. After adding cameras, please click on the Live View button to get the preview.

Details are shown as follows:

Camera Management

Channel: 3 Channel Name: CAM3
 Protocol: ONVIF IP Address:
 Port: 80 Transport Protocol: Auto
 User Name: admin Password:
 Time Setting: Sync Time With NVR

Add Refresh Delete

Channel	Channel Name	Edit	Delete	Status	IP Address	Channel ID	Port	Protocol	MAC	Firmware Version	Model	SN
1	111			⚠	192.168.69.66	-	80	ONVIF				
2	CAM2			✔	192.168.69.244	-	80	ONVIF	1CC3162C2075	45.7.0.79+25+47	MS-C2971-X128PC	CM33V112147000058

Free Receiving Bandwidth 195.50Mbps

Camera List

PTZ

001 Preset 1
 002 Preset 2
 003 Preset 3
 004 Preset 4
 005 Preset 5
 006 Preset 6
 007 Preset 7
 008 Preset 8
 009 Preset 9
 010 Preset 10
 011 Preset 11

P340/T-8

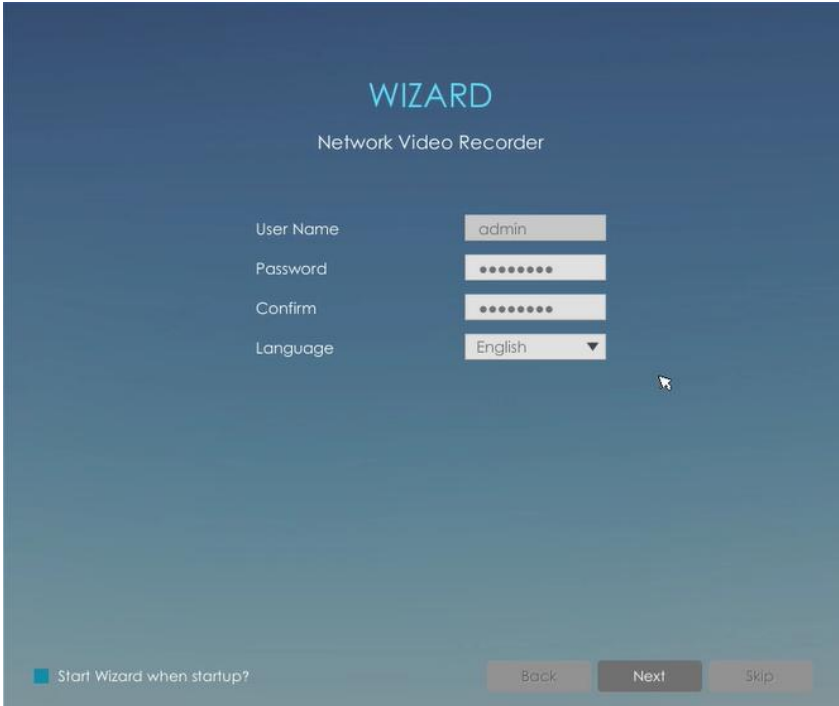
Note: About other configurations, you can refer to the user manual of NVR.

7.3 Via Monitor

There is another way to access to NVR which you can use the HDMI cable to let the NVR combine with monitor.

Details are shown as follows:

- ① If the NVR's firmware version is V7x.9.0.3 or above, you need to set the password to activate the NVR when using it for the first time.

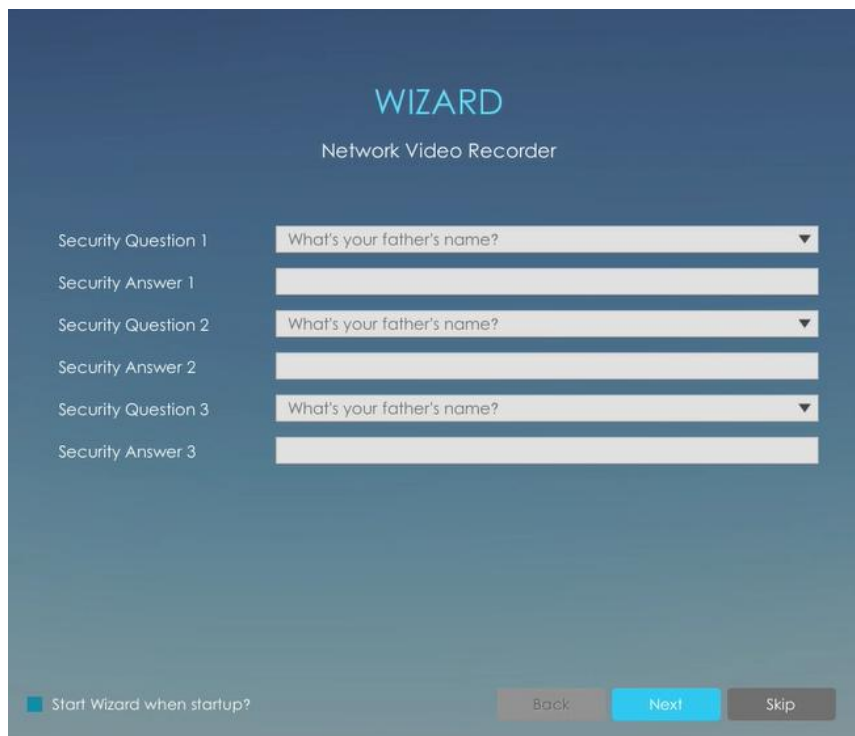


The screenshot shows the 'WIZARD' setup screen for a Network Video Recorder. The title 'WIZARD' is displayed in light blue, with 'Network Video Recorder' below it. The form contains the following fields:

User Name	<input type="text" value="admin"/>
Password	<input type="password" value="....."/>
Confirm	<input type="password" value="....."/>
Language	<input type="text" value="English"/>

At the bottom left, there is a checkbox labeled 'Start Wizard when startup?' which is currently checked. At the bottom right, there are three buttons: 'Back', 'Next', and 'Skip'.

You can also set three security questions after activating the NVR.

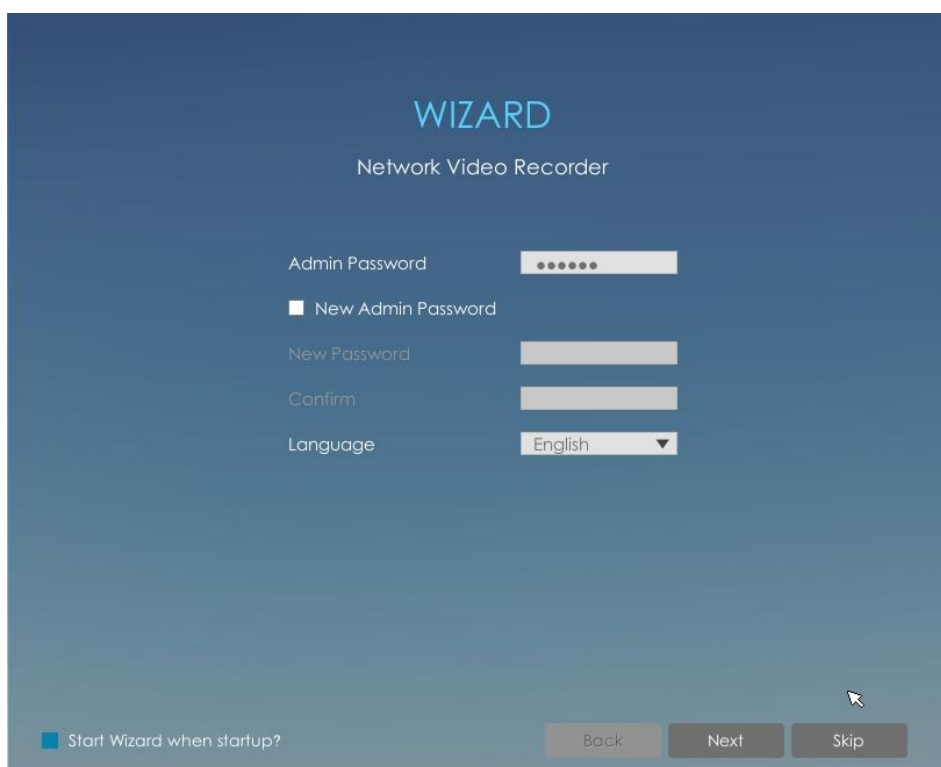


The screenshot shows the 'WIZARD' setup screen for a Network Video Recorder. The title 'WIZARD' is in large blue letters, with 'Network Video Recorder' below it. The screen is divided into three sections for security questions. Each section has a label on the left (e.g., 'Security Question 1') and a corresponding input field on the right. The first question is 'What's your father's name?' with a dropdown arrow. Below each question is a text input field for the answer. At the bottom left, there is a checkbox labeled 'Start Wizard when startup?'. At the bottom right, there are three buttons: 'Back', 'Next' (highlighted in blue), and 'Skip'.

Note:

- 1) Password must be 8 to 32 characters long, contain at least one number and one letter.
- 2) You can click the "forget password" in login page to reset the password by answering three security questions when you forget the password.
- 3) If the NVR's firmware version is lower than V7x.9.0.3, you can directly log in the NVR with default user name(admin) and default password(ms1234)

② Password Modifying



The screenshot shows the 'WIZARD' setup screen for a Network Video Recorder, specifically the password modification step. The title 'WIZARD' is in large blue letters, with 'Network Video Recorder' below it. The screen contains several input fields: 'Admin Password' (masked with dots), 'New Admin Password' (with a checkbox), 'New Password', 'Confirm', and 'Language' (with a dropdown menu set to 'English'). At the bottom left, there is a checkbox labeled 'Start Wizard when startup?'. At the bottom right, there are three buttons: 'Back', 'Next' (highlighted in blue), and 'Skip'.

③ Time Setting

The screenshot shows the 'WIZARD Network Video Recorder' interface for the 'Time Setting' step. The background is a dark blue gradient. At the top, the word 'WIZARD' is in light blue, and 'Network Video Recorder' is in white. Below this, there are several settings:

- Time Zone:** A dropdown menu showing '(UTC-08:00) United States - Pacific Time'.
- Daylight Saving Time:** A dropdown menu showing 'Auto'.
- Synchronize with NTP server:** A checked checkbox.
- NTP Server:** A text input field containing 'pool.ntp.org'.
- Set Date and Time Manually:** An unchecked checkbox.
- Set Date and Time:** A dropdown menu showing '2018.02.08 21:55:07'.

At the bottom left, there is a checkbox labeled 'Start Wizard when startup?'. At the bottom right, there are three buttons: 'Back', 'Next' (highlighted in blue), and 'Skip'.

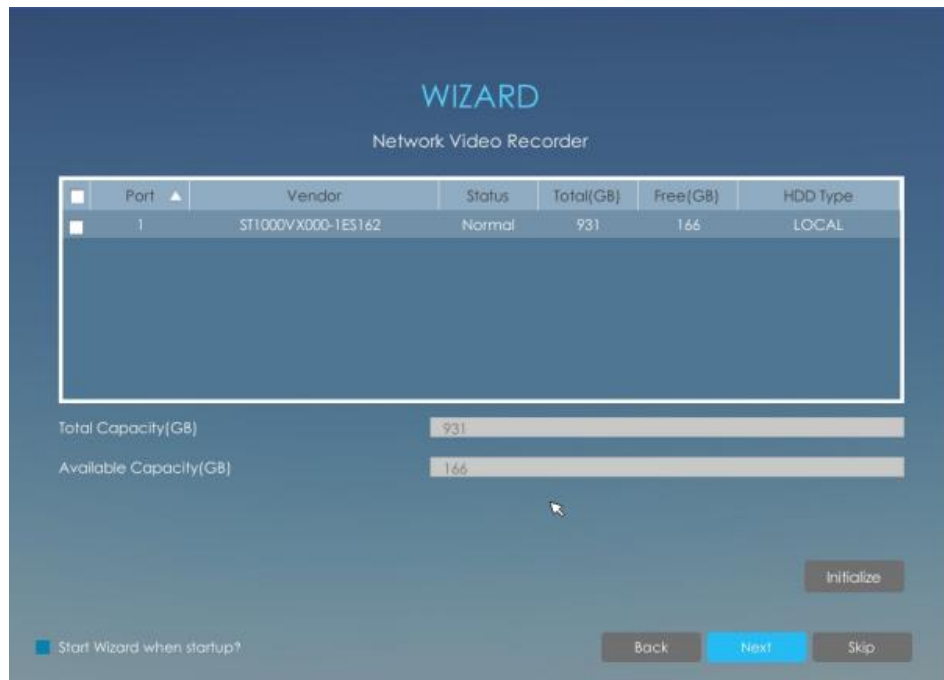
④ Network Setting

The screenshot shows the 'WIZARD Network Video Recorder' interface for the 'Network Setting' step. The background is a dark blue gradient. At the top, the word 'WIZARD' is in light blue, and 'Network Video Recorder' is in white. Below this, there are several network configuration fields:

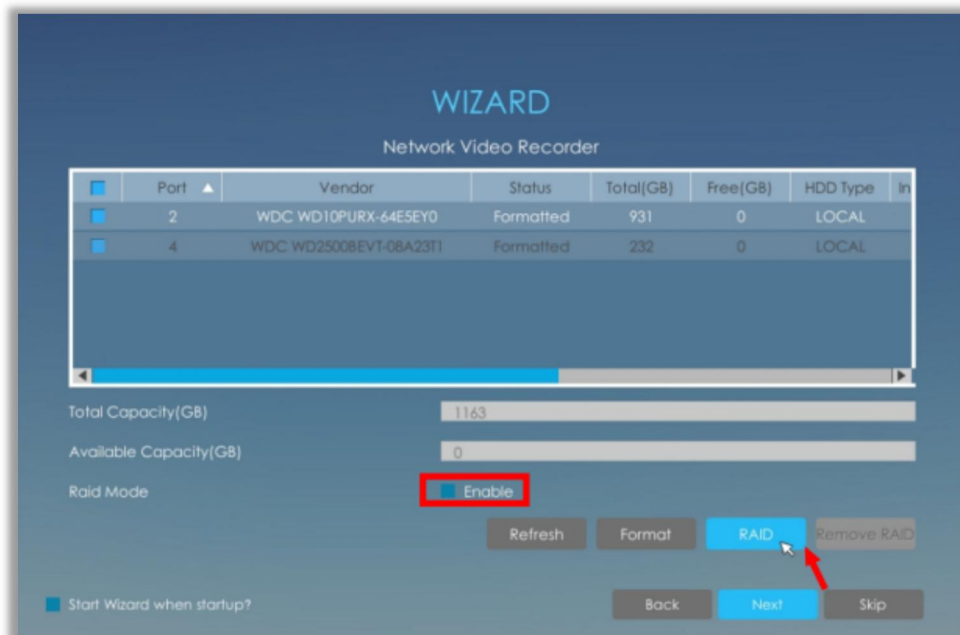
- NIC:** A dropdown menu showing 'LAN'.
- Enable DHCP:** An unchecked checkbox.
- IP Address:** A text input field containing '192.168.7.101'.
- Subnet Mask:** A text input field containing '255.255.240.0'.
- Gateway:** A text input field containing '192.168.7.1'.
- Preferred DNS Server:** A text input field containing '192.168.7.1'.
- Alternate DNS Server:** A text input field containing '...'.
- PoE NIC IPv4 Address:** A text input field containing '192.168.20.1'.

At the bottom left, there is a checkbox labeled 'Start Wizard when startup?'. At the bottom right, there are three buttons: 'Back', 'Next' (highlighted in blue), and 'Skip'.

⑤ Hard Disk Setup

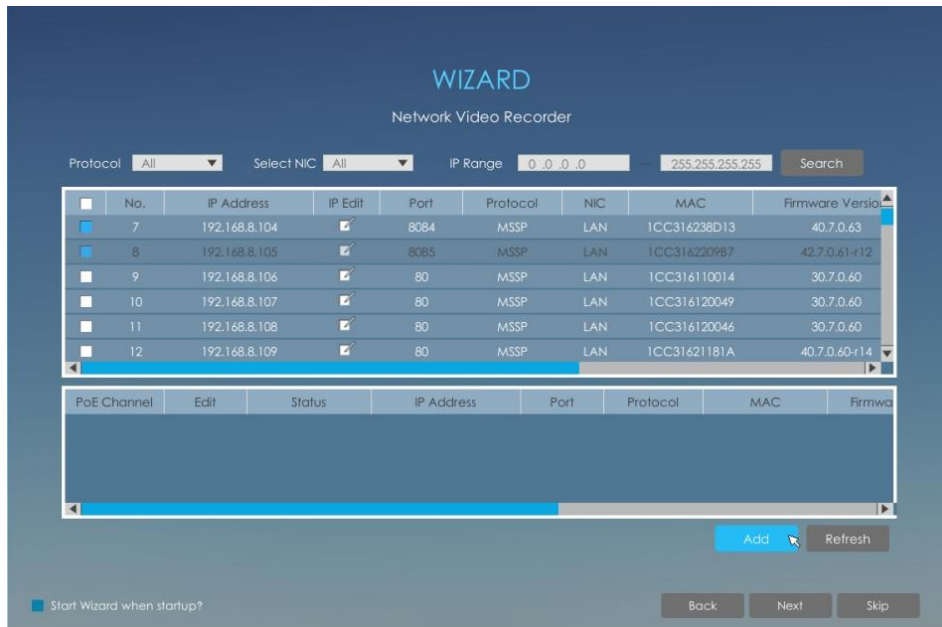


Click RAID to set up RAID for selected disk. RAID is available for Pro/PoE 7000 Series and Pro 8000 Series.

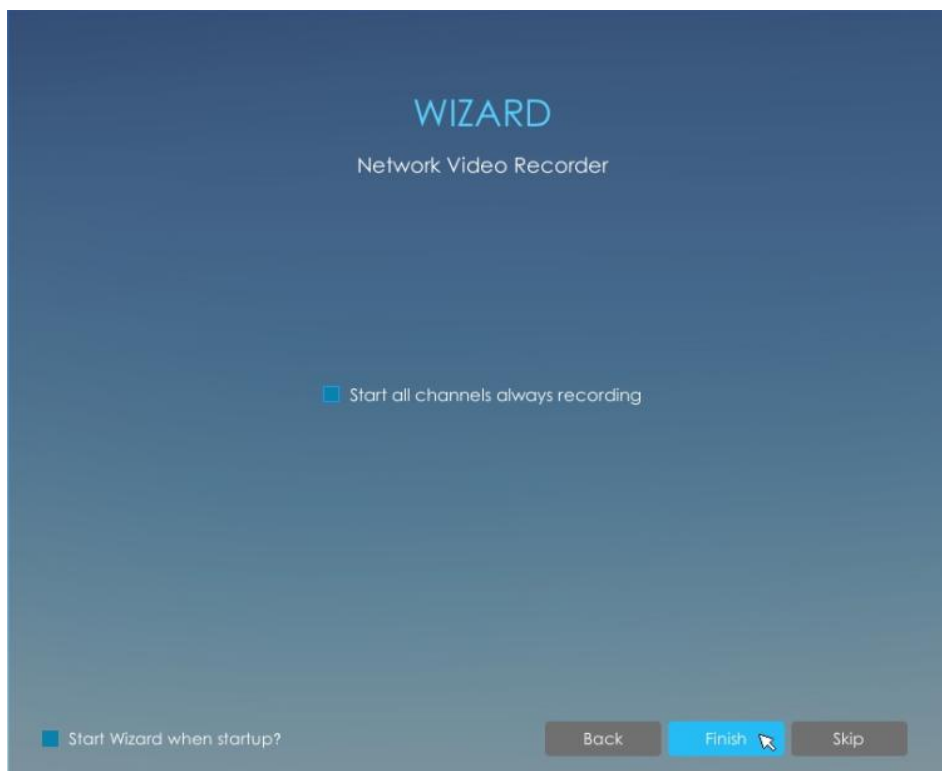


Note:
RAID will be available after it was enabled and the device rebooted.

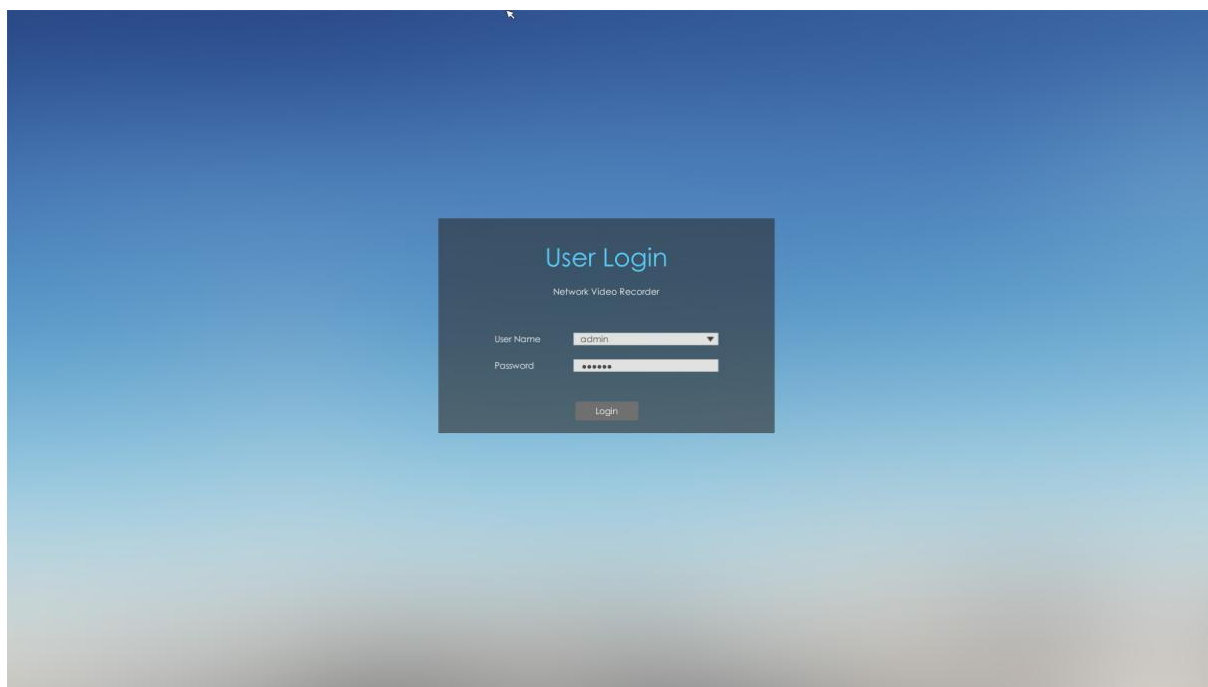
⑥ Camera Adding



⑦ Record Setting



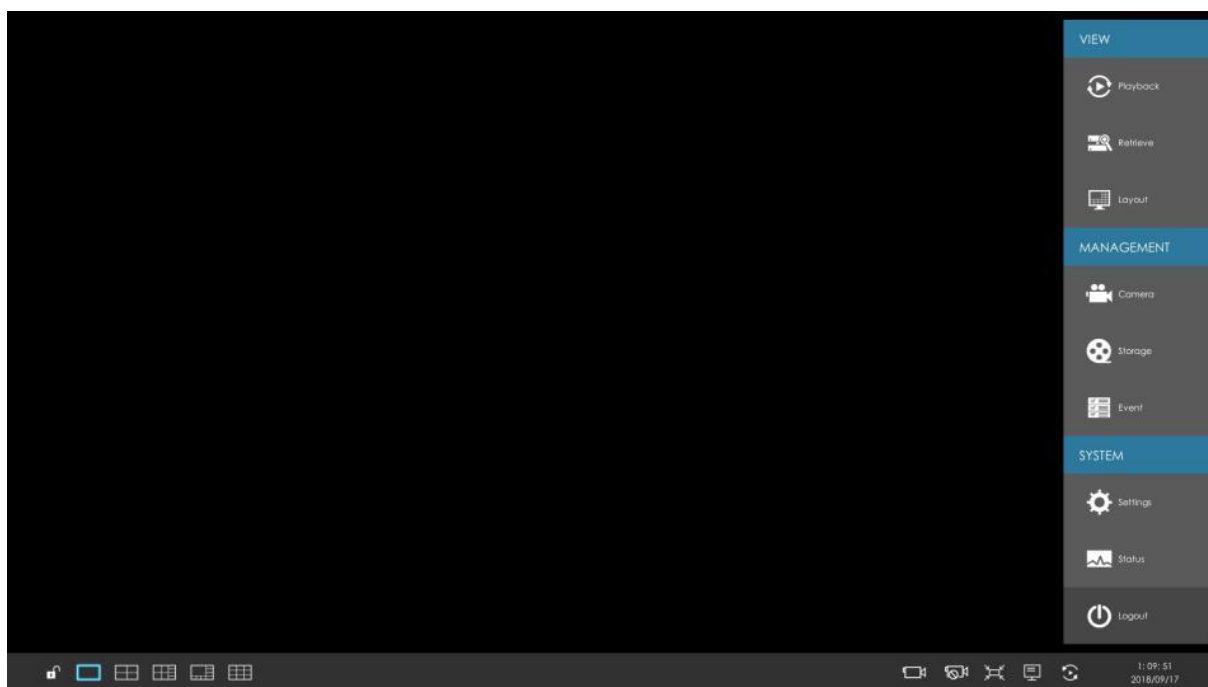
Also you can skip the wizard to login directly.



Then add cameras in Camera interface.

Details are shown as follows:

① Camera Management



② Camera Search

1. Select IP Range, NIC and Protocol, which includes ALL, ONVIF and MSSP.

2. Click search button to search cameras at the same LAN with NVR.
3. Select one channel, click Add button, input password and click Add button to finish
4. Check checkbox to batch adding the network cameras if they are with the same password, you can choose TCP or UDP transport protocol for it. Click OK to finish batch adding

The screenshot displays the 'Camera Settings' interface with the 'Device Search' tab active. A 'Batch Add' dialog box is overlaid on the camera list, showing fields for 'User Name' (admin), 'Password' (*****), and 'Transport Protocol' (UDP). The background table lists discovered cameras with the following columns: No., IP Address, IP Edit, Port, Protocol, NIC, MAC, Firmware Version, Model, and Vendor. The table contains 29 rows of camera data.

No.	IP Address	IP Edit	Port	Protocol	NIC	MAC	Firmware Version	Model	Vendor
10	192.168.8.106	<input checked="" type="checkbox"/>	80	MSSP	LAN	1CC316110014	30.7.0.60	MS-C3262-PPNA	Mileight
11	192.168.8.107	<input checked="" type="checkbox"/>	80	MSSP	LAN	1CC316120049	30.7.0.60	MS-C3367-PPNA	Mileight
12	192.168.8.108	<input checked="" type="checkbox"/>	80	MSSP	LAN	1CC316120046	30.7.0.60	MS-C3566-PPNA	Mileight
13	192.168.8.109	<input checked="" type="checkbox"/>	80	MSSP	LAN	1CC31621181A	40.7.0.60+14	MS-C2973-PPB	Mileight
14	192.168.8.112	<input checked="" type="checkbox"/>	80	MSSP	LAN	1CC3162132FD	40.7.0.60+17	MS-C2973-PPB	Mileight
15	192.168.8.113	<input type="checkbox"/>	80	MSSP	LAN	1CC3162143DE	41.6.0.56+10	MS-C4463-PPB	Mileight
16	192.168.8.114	<input type="checkbox"/>	80	MSSP	LAN	1CC316210110	40.6.0.56+10	MS-C2972-PPB	Mileight
17	192.168.8.115	<input type="checkbox"/>	80	MSSP	LAN	1CC316212E80	41.6.0.56+10	MS-C3762-PPB	Mileight
18	192.168.8.121	<input type="checkbox"/>	80	MSSP	LAN	1CC3162152F1	41.7.0.63+6	MS-C5361-EPB	Mileight
19	192.168.8.131	<input type="checkbox"/>	80	MSSP	LAN	1CC316210C30	41.7.0.63+9	MS-C3762-PPB	Mileight
20	192.168.8.133	<input type="checkbox"/>	80	MSSP	LAN	1CC31621095E	40.7.0.63+5	MS-C2972-PPB	Mileight
21	192.168.8.141	<input type="checkbox"/>	80	MSSP	LAN	1CC316210955	40.7.0.63+1	MS-C4462-RFPB	Mileight
22	192.168.8.142	<input type="checkbox"/>	80	MSSP	LAN	1CC31621022630	10.5.0.110	MS-C2191-PW	Mileight Technology Co.
23	192.168.8.144	<input type="checkbox"/>	80	MSSP	LAN	1CC316212365F8	41.7.0.63	MS-C4483-PPB	Mileight
24	192.168.8.147	<input checked="" type="checkbox"/>	80	MSSP	LAN	1CC31621A0CE	41.7.0.63+4	MS-C5362-PPB	Mileight
25	192.168.8.150	<input checked="" type="checkbox"/>	80	MSSP	LAN	1CC3162000EF	41.7.0.63	MS-C2862-PPB	Mileight
26	192.168.8.154	<input checked="" type="checkbox"/>	80	MSSP	LAN	1CC31621191C	40.7.0.60+17	MS-C2973-PPB	Mileight
27	192.168.8.157	<input checked="" type="checkbox"/>	80	MSSP	LAN	1CC31621A5F3	41.7.0.63+6	MS-C5362-PPB	Mileight
28	192.168.8.162	<input checked="" type="checkbox"/>	80	MSSP	LAN	1CC316230742	40.7.38.60+13	CT-2840-PTWB	Cametron
29	192.168.8.163	<input checked="" type="checkbox"/>	80	MSSP	LAN	1CC316220108	42.7.0.61+12	MS-C9674-PPB	Mileight

After adding cameras successfully, you can back to the Live View to preview.