



Succinct Structure

Sleek and Discreet

A Milesight Technology Moment

Introduction

360° Panoramic H.265+ Fisheye Network Camera remains Milesight neat design consistently. The screw-free surface and tidy cable management make Milesight Fisheye Network Camera a sleek and discreet one.



Structure of Milesight Fisheye Network Camera

Milesight Fisheye Network Camera consists of Top Cover, IR-reflection Panel, Middle Cover, Inner Cover, 5/12 Megapixel Lens, Main Board and Basic Plate. The camera body is sleek and the well arranged inner parts are designed succinctly but function powerfully.



Top Cover

The pure white top cover is used to conceal the screws, making the whole fisheye camera look intact and sleek.

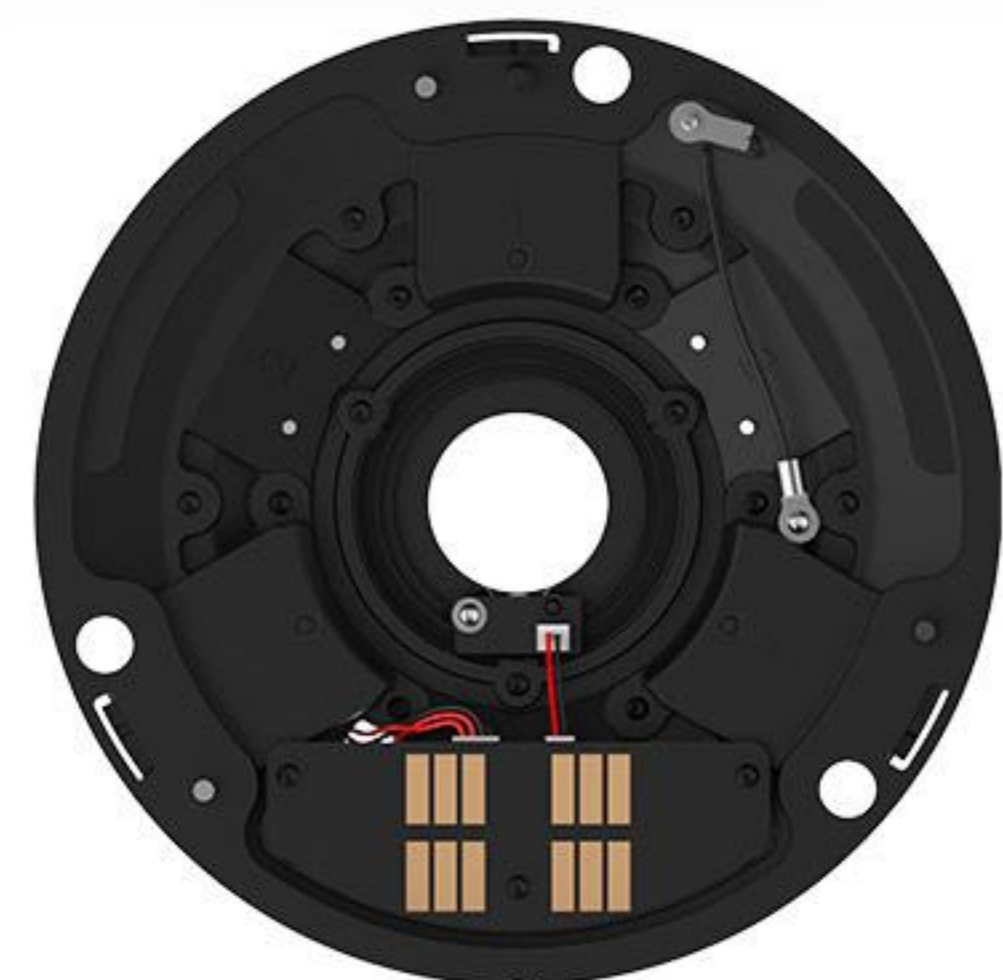
IR-reflection Panel

IR-reflection Panel is a small black panel and used in front of the IR LEDs to increase infrared light transmittance and make sure that the camera takes full advantage of the Smart IR II technology.



Middle Cover

A Power Supply Board is made up of two parts and one part is on the back of Middle Cover. The Middle Cover functions as the dome cover with Top Cover and IR-reflection Panel on it. The three parts together make the top of camera body detachable and without redundant cables or exposed components.



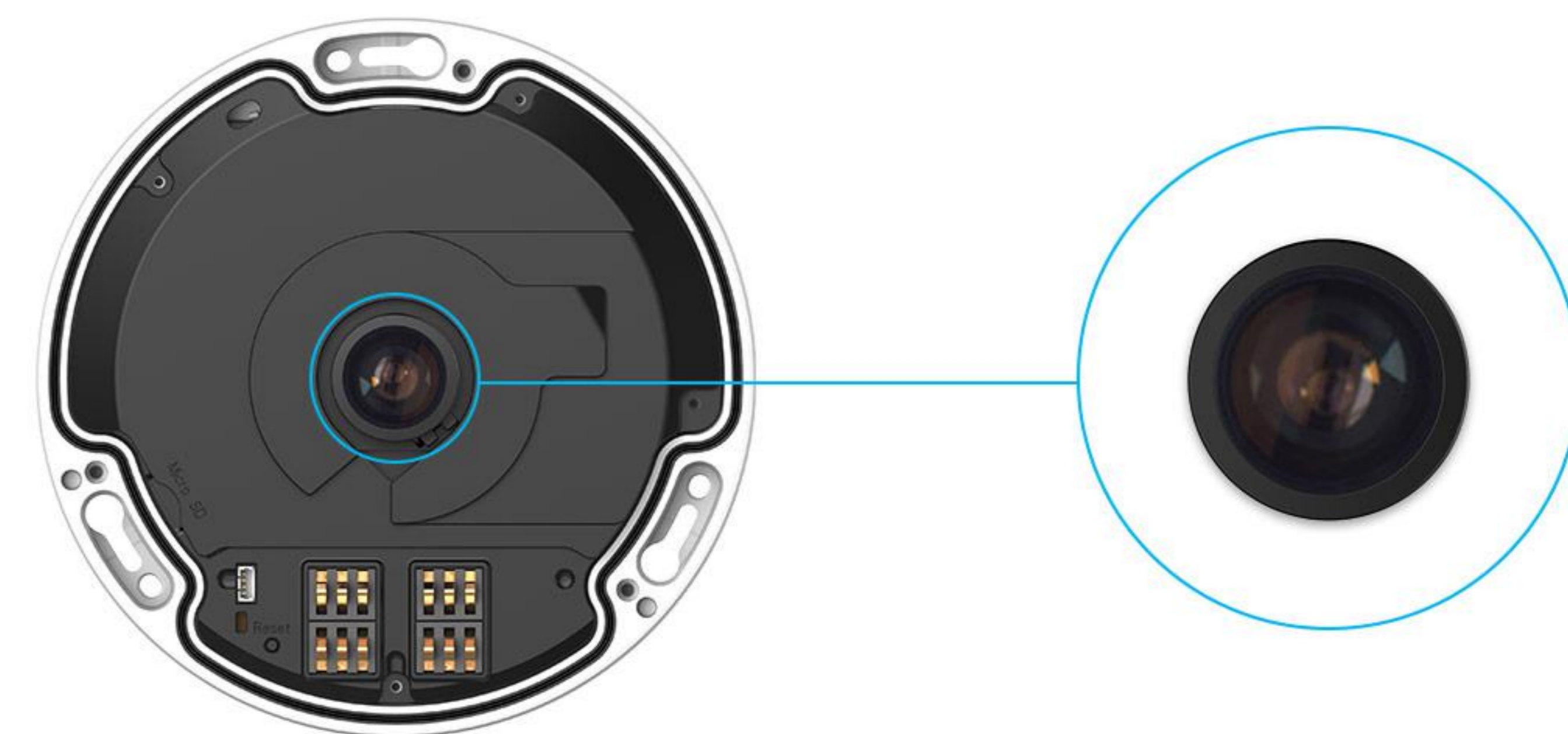
Inner Cover

Inner Cover is designed to conceal the components on the Main Board to keep a neat inside for the fisheye camera. Although it conceals the most of components, there are several functional parts still being exposed on the Inner Cover. For example, the micro SD card slot and the parts of Power Supply Board.



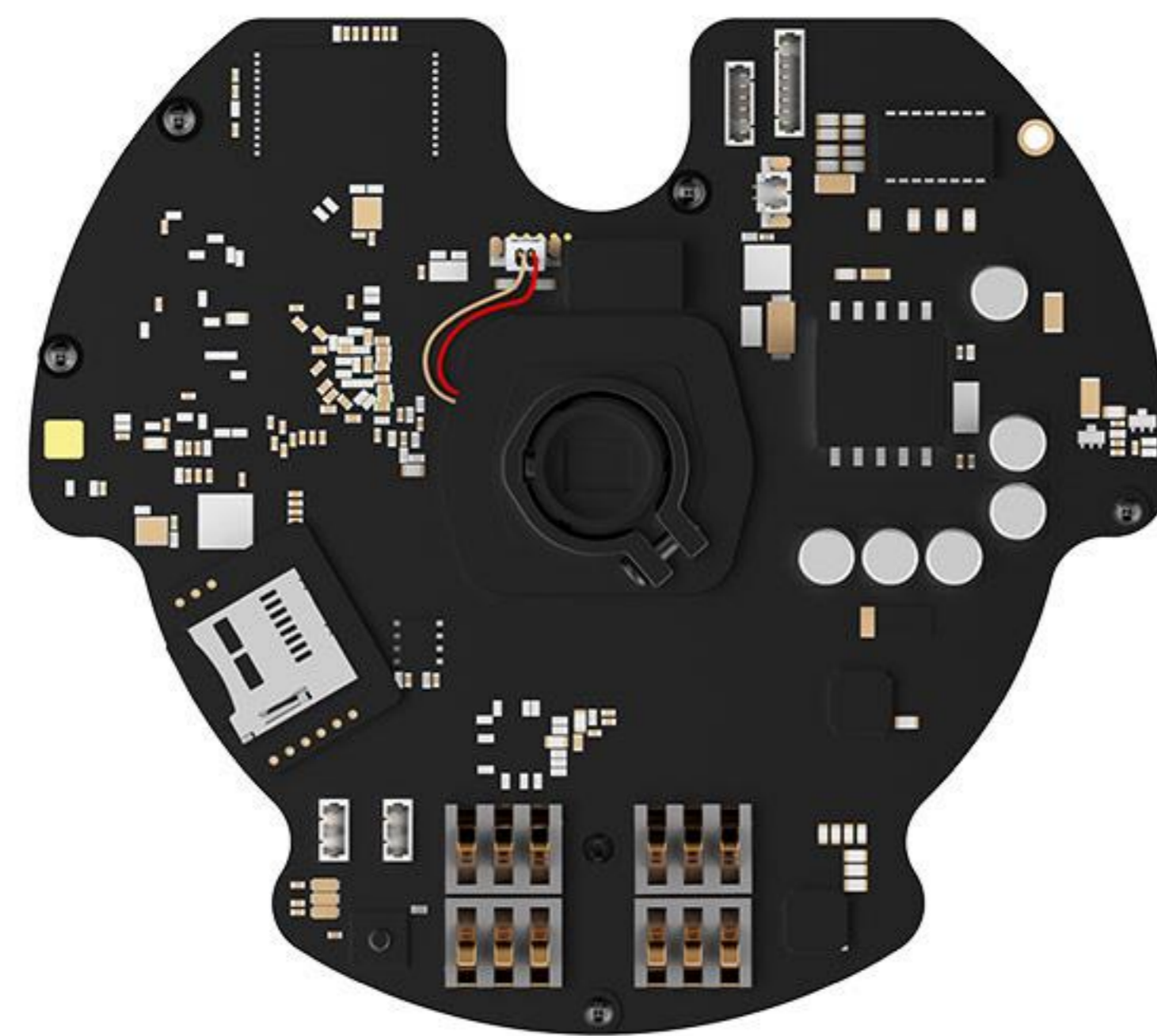
5/12 Megapixel Lens

Milesight Fisheye Network Camera features with 5/12 Megapixel lens, providing ultra high resolution to guarantee superb image quality.



Main Board

Main Board is the core circuit board which consists of the high-perform CPU and other functional circuit modules.



Basic Plate

The Basic Plate is equipped with a round rubber to keep the camera away from water intrusion.



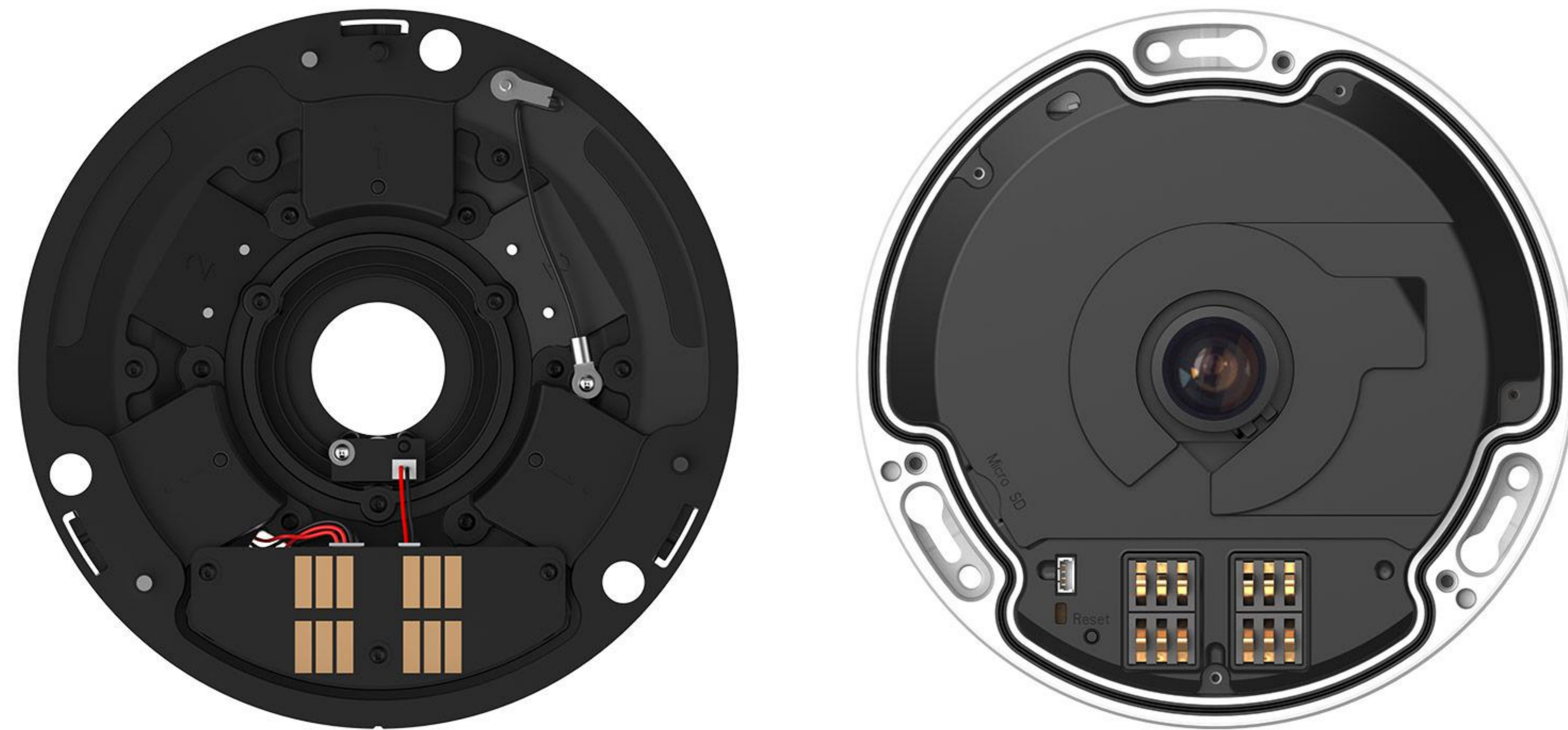
How to achieve screw-free design?

Install the Top Cover to conceal screws and achieve screw-free design. Aim the anchor point of Top Cover at the anchor point of Middle Cover, cover the Top Cover and turn it clockwise to finish the installation.



Why is the inside of Milesight Fisheye Camera neat?

The main parts are all integrated on the Main Board. And to make it neat, Milesight creatively introduces an Inner Cover to cover the Main Board, by which the main parts of the Main Board are hid and the important functional parts are exposed. Besides, Milesight firstly applied the Power Supply Board and got rid of the cables. The Board is composed of two parts, and one is on the Middle Cover, while the other one is on the Main Board but exposed on Inner Cover. Once the two parts contacted with each other, the Power Supply Board started to supply power for IR LEDs.



Advantage of Milesight Fisheye Network Camera GUI

- Easy Installation
- Neat Inside Without Redundant Cables
- Discreet and Intact Appearance

Conclusion

Milesight has been committed to bringing high-end products to customers. The detailed design shows Milesight determination on manufacturing cameras of high quality, succinct design, and of powerful functionality.

Milesight Technology

Established in 2011, Milesight Technology is a high-tech company, specializing in design, developing and manufacture of best-in-class AIoT video surveillance solutions including Network Cameras, NVRs, Software and APP with superior image quality, exceptional flexibility and reliability for the global market. Milesight Technology markets its products through a worldwide network of distributors and resellers, offering excellent pre/after-sales and technical support services that exceed customers' expectation.

For more information about Milesight Technology, please visit our website www.milesight.com.

Milesight Technology | www.milesight.com

Contact Us: sales@milesight.com support@milesight.com



Add: 220 NE 51st Street, Oakland Park,
Florida 33334, USA
Tel: +1-800-561-0485

Add: 925, Anyang SK V1 Center, LS -ro
116beon-gil, Dongan-gu, Anyang-si, Korea
Tel: +82-31-990-7732

Add: Building C09, Software Park Phase III,
Xiamen 361024, Fujian, China
Tel: +86-592-5922772