

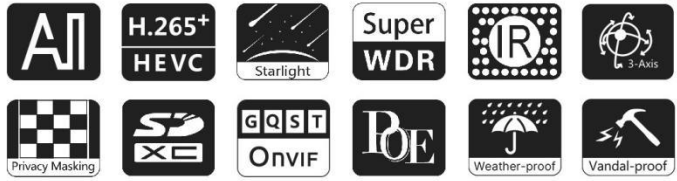
Milesight

AI Motorized Pro Bullet Plus Network Camera

NDA A ✓

IP67 + IK10

Motorized Lens



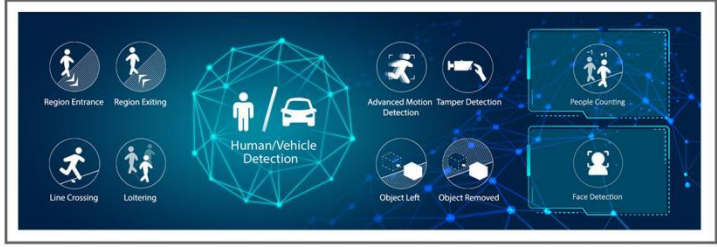
DATASHEET

KEY FEATURES

- ▶ NDA A Compliance (The fully NDA A-compliant products are well suited for government, defense and a range of projects subject to the NDA A.)
- ▶ Smart IR II (Combining the High Beam and Low Beam to adjust IR intensity to fit different lighting conditions.)
- ▶ HLC (High Light Compensation. Improving image visibility under strong light sources.)
- ▶ 140dB Super WDR (Excellent performance even when the ratio of the luminosity of brightest and darkest is up to 140dB.)
- ▶ 90fps High Frame Rate (Camera can easily catch images with no latency despite of the high-speed movement.)
- ▶ 256G (Supporting ultra-large external microSD/SDHC/SDXC card storage up to 256G.)
- ▶ Smart Stream (Bandwidth, storage and bit rate are saved with Smart Stream On, eg, H.265+ saves 70%~80% bandwidth that of H.264.)

AI Video Analytics

- 8 intelligent VCA modes powered by AI engine, which can intelligently filter objects to focus on human and vehicle detection.
- People Counting technology provides high accuracy and real-time data based on AI algorithm with statistic reports.
- Face Detection function detects human faces in the monitoring scene and captures the snapshots, which greatly enhances the monitoring efficiency.



0.002Lux Ultra Low-light

The starlight camera is able to deliver high detailed color images even in low light environment reaching 0.002Lux(Color) or 0Lux(B/W), and near infrared light environments without any supplementary lighting.



30fps@4K

Providing 4K HD resolution with frame rate of 30fps, the camera performs well in catching detailed image regardless of the moving speed.



Integrated Cable Management Bracket

Integrated Cable Management provides easier and faster installation for the users. Versatile interfaces such as PoE, DC, Audio I/O and Alarm I/O are available. The well-designed integrated junction box also makes the cable connection neat and tidy.



AI Motorized Pro Bullet Plus Network Camera



| | Model | MS-C4466-RF(I)PE (4MP) | MS-C2966-R(T)F(I)PE (2MP) | MS-C5366-F(I)PE (5MP) |
|------------------|---|--|--|--|
| Camera | Image Sensor | 1/1.8" Progressive Scan CMOS | 1/2.8" Progressive Scan CMOS | |
| | Min. Illumination | Color: 0.002Lux@F1.4 B/W: 0Lux with IR on | Color: 0.005Lux@F1.4 B/W: 0Lux with IR on | Color: 0.008Lux@F1.4 B/W: 0Lux with IR on |
| | WDR | 140dB Super WDR | | 120dB Super WDR |
| | Shutter Time | 1/100000s~1s | | |
| | IR Distance | Up to 65m | Up to 65m(3.0~10.5mm/2.7~13.5mm) Up to 100m(7~22mm) | |
| | Day/Night Mode | Day/Night/Auto/Customize/Schedule | | |
| | S/N | >55dB | | |
| Lens | Lens | Motorized 3.6~10mm@F1.4 P-Iris(Optional) | Motorized 2.7~13.5mm/3.0~10.5mm/7~22mm@F1.4 P-Iris(Optional) | |
| | Field of View | H100°~H45°/ D116°~D51°/ V57°~V25° | H113°~H33°/D130°~D38° /V60°~V18° (2.7~13.5mm) H104°~H34°/D120°~D39° /V57°~V19° (3.0~10.5mm) H45°~H17°/D53°~D20° /V25°~V9° (7~22mm) | H113°~H33°/D138°~D42° /V83°~V25° (2.7~13.5mm) H94°~H33°/ D116°~D42° / V71°~V25°(3.0~10.5mm) H42°~H16°/D53°~D20° /V32°~V12° (7~22mm) |
| | Mount | Φ14 | | |
| | Focus Control | Auto/Manual | | |
| | Iris Control (Optional for I Series) | Auto/Manual | | |
| Video | Max. Image Resolution | 2688x1520 | 1920x1080 | 2592x1944 |
| | Primary Stream | 60Hz: 60fps@(2688x1520, 2304x1296, 1920x1080, 1280x720) 50Hz: 50fps@(2688x1520, 2304x1296, 1920x1080, 1280x720) | 60Hz: 90fps@(1920x1080)(Optional for T Series) , 60fps@(1920x1080, 1280x960, 1280x720, 704x576) 50Hz: 90fps@(1920x1080)(Optional for T Series) , 50fps@(1920x1080, 1280x960, 1280x720, 704x576) | 60Hz: 30fps@(2592x1944, 2592x1520, 2048x1536, 1920x1080, 1280x960, 1280x720, 704x576) 50Hz: 25fps@(2592x1944, 2592x1520, 2048x1536, 1920x1080, 1280x960, 1280x720, 704x576) |
| | Secondary Stream | 60Hz: 60fps@(704x576, 640x480, 640x360, 352x288, 320x240) 50Hz: 50fps@(704x576, 640x480, 640x360, 352x288, 320x240) | 60Hz: 30fps@(704x576, 640x480, 640x360, 352x288, 320x240) 50Hz: 25fps@(704x576, 640x480, 640x360, 352x288, 320x240) | |
| | Tertiary Stream | 60Hz: 30fps@(1280x720, 704x576, 640x480, 640x360, 320x240) 50Hz: 25fps@(1280x720, 704x576, 640x480, 640x360, 320x240) | 60Hz: 30fps@(1920x1080, 1280x720, 704x576, 640x480, 640x360, 352x288, 320x240) 50Hz: 25fps@(1920x1080, 1280x720, 704x576, 640x480, 640x360, 351x288, 320x240) | |
| | Video Compression | H.265+/H.265(HEVC)/H.264+/H.264/MJPEG | | |
| | Video Bit Rate | 16Kbps~16Mbps(CBR/VBR Adjustable) | | |
| | Privacy Masking | Up to 8 Areas (Mask Area and Mosaic Area are optional) | | |
| | ROI | Up to 8 areas | | |
| | Image Setting | Brightness/Contrast/Saturation/Sharpness | | |
| Interface | Ethernet | 1*RJ45 10M/100M Ethernet Port | | |
| | Audio I/O | 1/1 | | |
| | Alarm I/O | 1/1 | | |

AI Motorized Pro Bullet Plus Network Camera



| | | |
|------------------------------|---|---|
| Network | Network Storage | NAS(Support NFS, SMB/CIFS), ANR |
| | Protocol | IPv4/IPv6, ARP, TCP, UDP, RTCP, RTP, RTSP, RTMP, HTTP, HTTPS, DNS, DDNS, DHCP, FTP, NTP, SMTP, SNMP, UPnP, Bonjour, SIP, PPPoE, VLAN, 802.1x, QoS, IGMP, ICMP, SSL |
| Audio | Audio Compression | G.711/AAC/G.722/G.726 |
| | Audio Sampling Rate | 8/16/32/44.1/48KHz |
| | Audio Bit Rate | 16~256kbps |
| | Two-way Audio | Support |
| Intelligent Analytics | Video Analysis | Region Entrance, Region Exiting, Advanced Motion Detection, Tamper Detection, Line Crossing, Loitering, Object Left, Object Removed |
| | Face Detection&Face Attribute Recognition | Detect and capture faces, get real-time snapshots; The attributes include Age, Gender, Glasses, Mask and Cap; Support Faces Privacy Mode, the detected faces in the face detection area will be mosaic automatically. |
| | People Counting&Report | Count the number of people entering or exiting, up to 4 detection areas for regional people counting |
| System | Storage | Support microSD/SDHC/SDXC Card Local Storage, up to 256G |
| | Advanced Function | Heat Map, BLC, HLC, 2D DNR, 3D DNR, Defog, AWB, IP Address Filtering, AGC, Anti-flicker, Corridor Mode, Deblur, Watermark |
| | SIP/VoIP Support | Yes, Voice & Video-over-IP |
| | Event Trigger | Motion Detection, Network Disconnection, External Input, Audio Alarm, etc. |
| | Event Action | FTP Upload, SMTP Upload, SD Card Record, External Output, SIP Phone, HTTP Notification, etc. |
| | System Compatibility | ONVIF Profile G & Q & S & T, API |
| General | Working Temperature | -40°C~60°C |
| | Working Humidity | 0~95%(Non-condensing) |
| | Power Supply | PoE (802.3af) / DC 12V±10% |
| | Power Consumption | 6W MAX 8W MAX(With IR on) |
| | Housing | Vandal-proof IK10-rated Metal Housing / Up to IP67-rated for Weather-resistant Performance |
| | Surge Protection | 4KV |
| | Weight | 1630g |
| | Dimensions | 301mmX108mmX126mm |
| | Warranty | 3/5 Years |

AI Motorized Pro Bullet Plus Network Camera



| | Model | MS-C8166-F(I)PE (4K) | MS-C8266-F(I)PE (4K) |
|------------------|---|--|--|
| Camera | Image Sensor | 1/2.8" Progressive Scan CMOS | 1/1.8" Progressive Scan CMOS |
| | Min. Illumination | Color: 0.012Lux@F1.4 B/W: 0Lux with IR on | Color: 0.009Lux@F1.4 B/W: 0Lux with IR on |
| | WDR | 120dB Super WDR | |
| | Shutter Time | 1/100000s~1s | |
| | IR Distance | Up to 65m | |
| | Day/Night Mode | Day/Night/Auto/Customize/Schedule | |
| | S/N | >55dB | |
| Lens | Lens | Motorized 2.7~13.5mm@F1.4 P-Iris(Optional) | Motorized 3.6~10mm@F1.4 P-Iris(Optional) |
| | Field of View | H110°~H33°/D118°~D38°/V60°~V18° | H116°~H48°/D134°~D55°/V65°~V27° |
| | Mount | Φ14 | |
| | Focus Control | Auto/Manual | |
| | Iris Control (Optional for I Series) | Auto/Manual | |
| Video | Max. Image Resolution | 3840x2160 | |
| | Primary Stream | 60Hz: 30fps@(3840x2160, 3072x2048, 2592x1944, 2592x1520, 2048x1536, 1920x1080, 1280x960, 1280x720, 704x576) 50Hz: 25fps@(3840x2160, 3072x2048, 2592x1944, 2592x1520, 2048x1536, 1920x1080, 1280x960, 1280x720, 704x576) | |
| | Secondary Stream | 60Hz: 30fps@(704x576, 640x480, 640x360, 352x288, 320x240) 50Hz: 25fps@(704x576, 640x480, 640x360, 352x288, 320x240) | |
| | Tertiary Stream | 60Hz: 30fps@(1920x1080, 1280x720, 704x576, 640x480, 640x360, 320x240) 50Hz: 25fps@(1920x1080, 1280x720, 704x576, 640x480, 640x360, 320x240) | |
| | Video Compression | H.265+/H.265(HEVC)/H.264+/H.264/MJPEG | |
| | Video Bit Rate | 16Kbps~16Mbps(CBR/VBR Adjustable) | |
| | Privacy Masking | Up to 8 Areas (Mask Area and Mosaic Area are optional) | |
| | ROI | Up to 8 areas | |
| | Image Setting | Brightness/Contrast/Saturation/Sharpness | |
| Interface | Ethernet | 1*RJ45 10M/100M Ethernet Port | |
| | Audio I/O | 1/1 | |
| | Alarm I/O | 1/1 | |
| Network | Network Storage | NAS(Support NFS, SMB/CIFS), ANR | |
| | Protocol | IPv4/IPv6, ARP, TCP, UDP, RTCP, RTP, RTSP, RTMP, HTTP, HTTPS, DNS, DDNS, DHCP, FTP, NTP, SMTP, SNMP, UPnP, Bonjour, SIP, PPPoE, VLAN, 802.1x, QoS, IGMP, ICMP, SSL | |

AI Motorized Pro Bullet Plus Network Camera



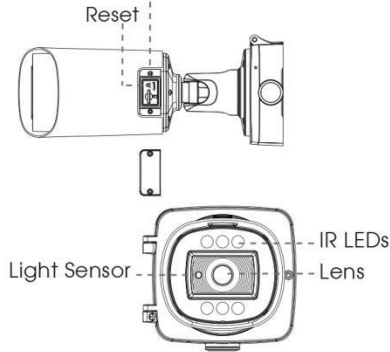
| | | | |
|------------------------------|---|---|------------------------------|
| Audio | Audio Compression | G.711/AAC/G.722/G.726 | |
| | Audio Sampling Rate | 8/16/32/44.1/48KHz | |
| | Audio Bit Rate | 16~256kbps | |
| | Two-way Audio | Support | |
| Intelligent Analytics | Video Analysis | Region Entrance, Region Exiting, Advanced Motion Detection, Tamper Detection, Line Crossing, Loitering, Object Left, Object Removed | |
| | Face Detection&Face Attribute Recognition | Detect and capture faces, get real-time snapshots; The attributes include Age, Gender, Glasses, Mask and Cap; Support Faces Privacy Mode, the detected faces in the face detection area will be mosaic automatically. | |
| | People Counting& Report | Count the number of people entering or exiting, up to 4 detection areas for regional people counting | |
| System | Storage | Support microSD/SDHC/SDXC Card Local Storage, up to 256G | |
| | Advanced Function | Heat Map, BLC, HLC, 2D DNR, 3D DNR, Defog, AWB, IP Address Filtering, AGC, Anti-flicker, Corridor Mode, Deblur, Watermark | |
| | SIP/VoIP Support | Yes, Voice & Video-over-IP | |
| | Event Trigger | Motion Detection, Network Disconnection, External Input, Audio Alarm, etc. | |
| | Event Action | FTP Upload, SMTP Upload, SD Card Record, External Output, SIP Phone, HTTP Notification, etc. | |
| | System Compatibility | ONVIF Profile G & Q & S & T, API | |
| General | Working Temperature | -40°C~60°C | |
| | Working Humidity | 0~95%(Non-condensing) | |
| | Power Supply | PoE (802.3af) / DC 12V±10% | |
| | Power Consumption | 7W MAX 9W MAX(With IR on) | 6W MAX 8W MAX(With IR on) |
| | Housing | Vandal-proof IK10-rated Metal Housing / Up to IP67-rated for Weather-resistant Performance | |
| | Surge Protection | 4KV | |
| | Weight | 1630g | |
| | Dimensions | 301mmX108mmX126mm | |
| | Warranty | 3/5 Years | |

AI Motorized Pro Bullet Plus Network Camera

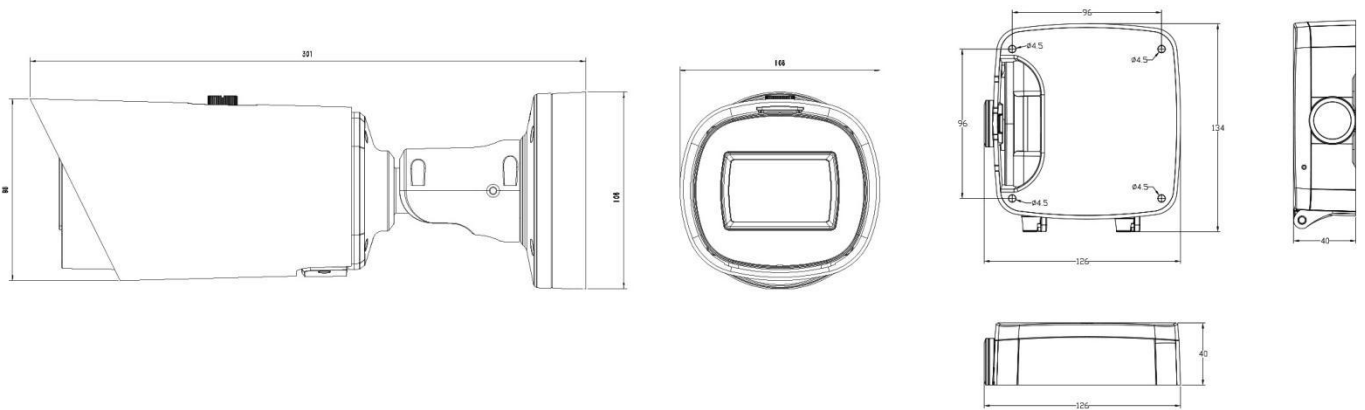
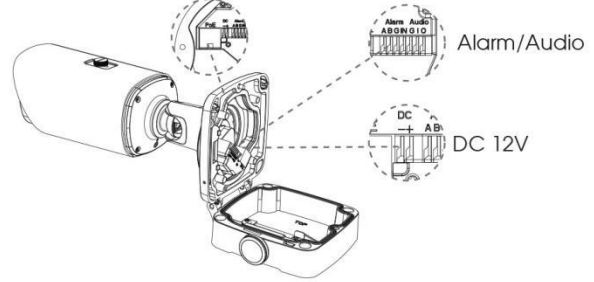


Structure Diagrams

microSD/SDHC/SDXC Card Slot



Ethernet Port (PoE)



Units: mm

Accessories Support

A62 Junction Box(Default)

Weight: 510g
Dimensions: 134*126*40mm



A01 Pole Mount

Weight: 720g
Dimensions: 170*51.5*152.6mm



A03 External Corner Bracket

Weight: 900g
Dimensions: 170*152.5*76.3mm



Mlesight | www.mlesight.com

Contact Us: sales@mlesight.com support@mlesight.com

Add: 220 NE 51st Street, Oakland Park, Florida 33334, USA
Tel: +1-800-561-0485

Add: 925, Anyang SK V1 Center, LS-ro 116beon-gil, Dongan-gu, Anvang-si, Korea
Tel: +82-31-990-7732

Add: Building C09, Software Park Phase III, Xiamen 361024, Fujian, China
Tel: +86-592-5922772

