



## DESCRIPTION

The IX-MV7-H is an IP addressable hands-free or handset master station with a 7" color touchscreen. It can be wall or desk mounted (desk stand included). It connects to a network using Cat-5e/6 cable and is SIP compliant. Audio and video of active conversations can be captured and stored on a microSD™ card. Each master station has an address book of 500 stations and can monitor a single station or scan monitor several stations within the address book. The master station offers line supervision and a scheduled device check of stations in its address book. It has the ability to page all units or groups of units and offers bell scheduling with 50 events per day. The master station has 8 speed dial buttons that can be used to call, page, monitor, or control a contact closure. It has a built-in camera with privacy shutter. The master station can view a selected intercom's camera as well as an associated ONVIF Profile S camera by using the picture-in-picture function. It has the ability to release the door that is associated with the station that it is communicating with. Stations can be called by using the directory or by direct dialing the stations number. The master is available in black (IX-MV7-HB) or white (IX-MV7-HW).

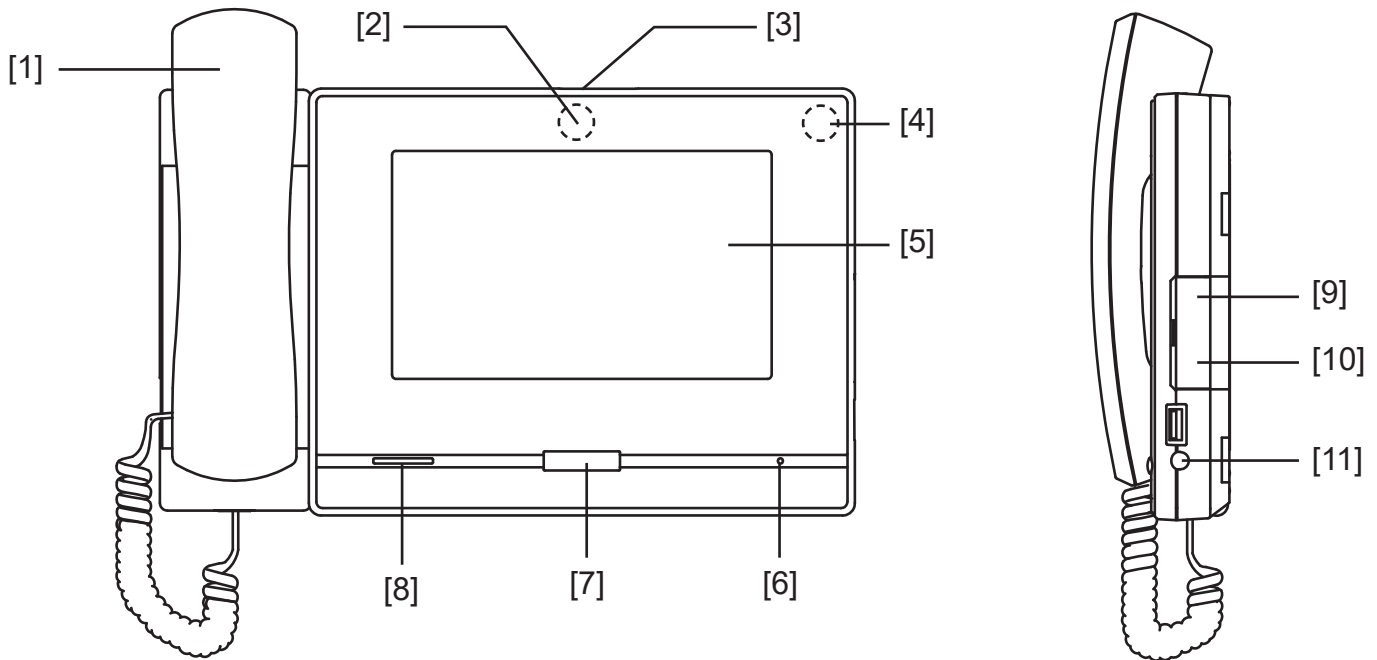
## FEATURES

- 7" TFT color LCD touchscreen
- Fixed color video camera with privacy shutter
- SIP 2.0 compliant
- 500 station address book
- ONVIF Profile S compliant
- Multi-angled desk stand (30°, 45°, 60°)
- Slot for microSD card (not provided by Aiphone)
- 802.3af PoE compliant
- 2 contact outputs, 4 trigger inputs
- 8Ω 1/2 watt speaker output
- 600Ω audio input

# IX-MV7-H

## Touchscreen Master Station with Handset for the IX Series

### FEATURE CALL-OUT:



### FEATURE CALL-OUT DEFINITIONS

- [1] Handset
- [2] Camera
- [3] Privacy mask cover (on top)
- [4] Status indicator light (orange/blue)
- [5] 7" Touchscreen (LCD)
- [6] Microphone
- [7] Home button
- [8] Speaker
- [9] Reset button (under door)
- [10] Slot for microSD card (under door)
- [11] 3.5mm stereo mini jack

### SPECIFICATIONS

- Power Source: PoE (IEEE 802.3af class 0)
- Power Draw: 4.32 Watts
- Camera: 1/3" CMOS 720p
- Min. illumination: 5 Lux
- Audio Codec: G.711 ( $\mu$ -law, A law), G.722
- Video Codec: H.264/AVC, Motion JPEG
- Protocols: IPv4, IPv6, TCP, UDP, SIP, HTTP, HTTPS, RTSP, RTP, RTCP, IGMP, MLD, SMTP, FTP, DHCP, NTP, DNS
- Port Security: IEEE 802.1X
- Operating Temp: 32° ~ 104°F (0° ~ 40°C)
- Dimensions: 8-1/16" H x 11" W x 2-3/16" D