

# DH-IPC-HDW3649H-ZAS-PV

6 MP Smart Dual Light Active Deterrence Vari-focal Eyeball WizSense Network Camera



**Wiz Sense**

Launched by Dahua Technology, WizSense is a series of AI products and solutions that adopt independent AI chip and deep learning algorithm. It focuses on human and vehicle with high accuracy, enabling users to fast act on defined targets. Based on Dahua's advanced technologies, WizSense provides intelligent, simple and inclusive products and solutions.

## Series Overview

With advanced deep learning algorithm, Dahua WizSense 3 Series network camera supports intelligent functions, such as perimeter protection and smart motion detection. With starlight technology, this series camera provides a better image effect in the condition of low illuminance.

## Functions

### Siren and Light Active Deterrence

Dahua siren and light active deterrence network camera supports the light alarm and voice alarm when perimeter event occurs, to realize the deterrence and effective intervention. The camera is built in multiple voices for selection, and supports customized voice importing.

### Smart Dual Light

Dahua Smart Dual Light technology adopts smart algorithm to detect targets. Usually, the IR illuminator is on at night; when the target appears in the monitoring area, the warm light is on, and the camera records the full-color video and information of key events. That is, the camera links snapshot and video with full-color image. When the target is out of the monitoring area, the warm light is off and the IR illuminator is on, which reduces light pollution efficiently.

### SMD 4.0

Dahua Smart Motion Detection technology works with intelligent algorithms to classify targets that trigger motion detection alarms. It filters out objects that are not targets, such as small and large animals, to avoid triggering false alarms. With an AI NVR, Quick Pick technology becomes available, allowing you to easily search for and pick out human and vehicle targets from SMD event videos, prioritizing the highest matches.

- 1/2.7" CMOS image sensor, low luminance, and high definition image.
- Outputs max. 6 MP(3200 × 1800) @25/30 fps and supports 5 MP (2880 × 1620/2960 × 1668)@25/30 fps.
- H.265 codec, high compression rate, ultra-low bit rate.
- Built-in warm light and IR LED; the max. IR illumination distance is 50 m and warm light distance is 40 m.
- ROI, SMART H.264+/H.265+, AI H.264/H.265, flexible coding, applicable to various bandwidth and storage environments.
- Rotation mode, WDR, 3D NR, HLC, BLC, digital watermarking, applicable to various monitoring scenes.
- Intelligent monitoring: Intrusion, tripwire (the two function support the classification and accurate detection of vehicle and human).
- Abnormality detection: Motion detection, privacy masking, scene changing, audio detection, no SD card, SD card full, SD card error, network disconnection, IP conflict, illegal access, and voltage detection.
- Alarm: 1 in, 1 out; audio: 1 in, 1 out; supports max. 256 G Micro SD card; built-in dual Mic; built-in speaker; support two-way talk.
- 12 VDC/PoE power supply.
- IP67 protection.
- Sound and light alarm (red and blue lights).
- SMD 4.0.
- One-tap arming/disarming through alarm input.



### One-tap Disarming

Dahua One-tap Disarming function, which is convenient and easy for operation, is the switch for event linkage. Customers can close and recover event linkage through mobile App, which meets multi-scenarios needs.

### Cyber Security

Dahua network cameras employ a series of security technologies, including security authentication and authorization, access control protocols, trusted protection, encrypted transmission and encrypted storage. These technologies improve the camera's defense against external cyber threats and prevent malicious programs from compromising the device.

**Protection (IP67, wide voltage)**

IP67: The camera passes a series of strict test on dust and soak. It has dust-proof function, and the enclosure can work normally after soaking in 1 m deep water for 30 minutes.

Wide voltage: The camera allows ±30% input voltage tolerance (wide voltage range), and it is widely applied to outdoor environment with instable voltage.

**Technical Specification**

<b>Camera</b>	
Image Sensor	1/2.7" CMOS
Max. Resolution	2960 (H) × 1668 (V)
ROM	128 MB
RAM	512 MB
Scanning System	Progressive
Electronic Shutter Speed	Auto/Manual 1/3 s–1/100,000 s
Min. Illumination	0.003 lux@F1.0 (Color, 30 IRE) 0.0003 lux@F1.0 (B/W, 30 IRE) 0 lux (illuminator on)
S/N Ratio	> 56 dB
Illumination Distance	Up to 50 m (164.04 ft) (IR) Up to 40 m (131.23 ft) (warm light)
Illuminator On/Off Control	Auto; manual
Illuminator Number	2 (IR LED) 2 (warm light)
Angle Adjustment	Pan: 0°–360° Tilt: 0°–78° Rotation: 0°–360°

<b>Lens</b>					
Lens Type	Motorized vari-focal				
Mount Type	φ16				
Focal Length	2.7 mm–13.5 mm				
Field of View	H: 113°–36° V: 57°–20° D: 137°–40°				
Iris Type	Fixed				
Close Focus Distance	1.5 m (4.92 ft)				
DORI Distance	Lens	Detect	Observe	Recognize	Identify
	W	65.2 m (213.91 ft)	26.1 m (85.63 ft)	13.0 m (42.65 ft)	6.5 m (21.33 ft)
	T	186.6 m (612.20 ft)	74.6 m (244.75 ft)	37.3 m (122.38 ft)	18.7 m (61.35 ft)

<b>Intelligent</b>	
IVS (Perimeter Protection)	Tripwire; intrusion (Support the classification and accurate detection of vehicle and human)
SMD 4.0	Less false alarm, longer detection distance
Smart Search	Work together with Smart NVR to perform refine intelligent search, event extraction and merging to event videos.

Quick Pick	With AI NVR, quickly pick up the human/vehicle targets that users are interested in from SMD events
AI SSA	Adopt deep learning algorithms to adjust the parameters of the image to suit the conditions.

<b>Video</b>	
Video Compression	H.265; H.264; H.264H; H.264B; MJPEG (Only supported by the sub stream)
Smart Codec	Smart H.265+; Smart H.264+
AI Coding	AI H.265; AI H.264
Video Frame Rate	Main stream: 3200 × 1800/2880 × 1620@(1 fps–30 fps)/2688 × 1520 @(1 fps–30 fps) Sub stream: 704 × 576@(1 fps–25 fps)/704 × 480@(1 fps–30 fps) Third stream: 1920 × 1080@(1 fps–25/30 fps) *The values above are the max. frame rates of each stream; for multiple streams, the values will be subjected to the total encoding capacity.
Stream Capability	3 streams
Resolution	6M (3200 × 1800); 5M (2880 × 1620/2960 × 1668); 4M (2688 × 1520/2560 × 1440); 3M 2304 × 1296/2048 × 1536); 1080p (1920 × 1080); 1.3M (1280 × 960); 720P(1280 × 720); D1 (704 × 576/704 × 480); VGA(640 × 480); CIF (352 × 288/352 × 240)
Bit Rate Control	CBR/VBR
Video Bit Rate	H.264: 32 kbps–16384 kbps H.265: 32 kbps–16384 kbps
Day/Night	Auto (ICR)/Color/B/W
BLC	Yes
HLC	Yes
WDR	120 dB
Scene Self-adaptation	Yes
White Balance	Auto; natural; street lamp; outdoor; manual; regional custom
Gain Control	Auto; manual
Noise Reduction	3D NR
Motion Detection	OFF/ON (4 areas)
Region of Interest (RoI)	Yes (4 areas)
Image Stabilization	Electronic Image Stabilization (EIS)
Smart Illumination	Yes
Defog	Yes
Image Rotation	0°/90°/180°/270° (Support 90°/270° with 2688 × 1520 resolution and lower)
Mirror	Yes
Privacy Masking	4 areas

<b>Audio</b>	
Built-in MIC	Yes, built-in dual Mic
Built-in speaker	Yes, built-in speaker
Audio Compression	PCM; G.711a; G.711Mu; G.726; G.723

**Alarm**

Alarm Event	No SD card; SD card full; SD card error; network disconnection; IP conflict; illegal access; motion detection; video tampering; tripwire; intrusion; scene changing; audio detection; voltage detection; external alarm; SMD; security exception
-------------	--

**Network**

Network	RJ-45 (10/100 Base-T)
SDK and API	Yes
Cyber Security	Video encryption; firmware encryption; configuration encryption; Digest; WSSE; account lockout; security logs; IP/MAC filtering; generation and importing of X.509 certification; syslog; HTTPS; 802.1x; trusted boot; trusted execution; trusted upgrade
Network Protocol	IPv4; IPv6; HTTP; TCP; UDP; ARP; RTP ; RTSP; RTCP; RTMP; SMTP; FTP; SFTP; DHCP; DNS; DDNS; QoS; UPnP; NTP; Multicast; ICMP; IGMP; NFS; SAMBA; PPPoE; SNMP; P2P
Interoperability	ONVIF (Profile S/Profile G/Profile T); CGI
User/Host	20 (Total bandwidth: 72 M)
Storage	FTP; SFTP; Micro SD card (Support max. 256 G); NAS
Browser	IE: IE8/9/11 Chrome Firefox
Management Software	Smart PSS; DSS; DMSS
Mobile Phone	iOS; Android

**Certification**

Certification	CE-LVD: EN 62368-1; CE-EMC: Electromagnetic Compatibility Directive 2014/30/EU
---------------	---

**Port**

Audio Input	1 channel (RCA port)
Audio Output	1 channel (RCA port)
Alarm Input	1 channel in: wet contact, 5 mA 3 V–5 VDC
Alarm Output	1 channel out: wet contact, 300 mA 12 VDC

**Power**

Power Supply	12 VDC/PoE (802.3af)
Power Consumption	Basic: 4 W (12 VDC); 5 W (PoE) Max. (pulling stream+warming light+speaker+warm light on): 8.5 W (DC12 V) 10.6 W (POE)

**Environment**

Operating Temperature	-30 °C to +60 °C (-22 °F to +140 °F)
Operating Humidity	≤95%
Storage Temperature	-40 °C to +60 °C (-40 °F to +140 °F)
Storage Humidity	≤95%
Protection Grade	IP67

**Structure**

Casing	Metal
Dimensions	127.6 mm × Φ122.0 mm (5.02" × Φ4.80")

Net Weight	885 g (2.0 lb)
Gross Weight	1060 g (2.3 lb)

**Ordering Information**

Type	Model	Description
6MP Camera	DH-IPC-HDW3649H-ZAS-PV	6 MP Smart Dual Light Active Deterrence Vari-focal Eyeball WizSense Network Camera
	IPC-HDW3649H-ZAS-PV	6 MP Smart Dual Light Active Deterrence Vari-focal Eyeball WizSense Network Camera
Accessories (Optional)	PFA137	Junction Box
	PFB205W-E	Wall Mount Bracket
	PFA109	Mount Adapter
	PFB220C	Ceiling Mount Bracket
	PFA152-E	Pole Mount Bracket
	PFM321D	12 VDC 1A Power Adapter
	PFM900-E	Integrated Mount Tester
TF-P100	MicroSD Memory Card	

**Accessories**

Optional:



PFA137 Junction Box



PFB205W-E Wall Mount Bracket



PFA109 Mount Adapter



PFB220C Ceiling Mount Bracket



PFA152-E Pole Mount Bracket



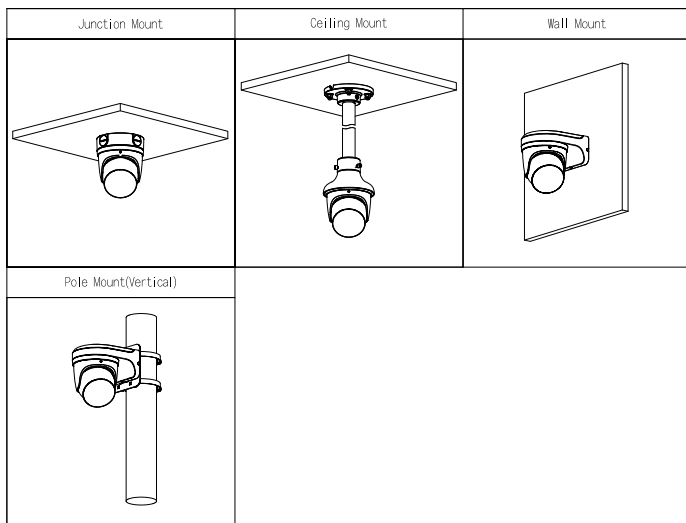
PFM321D 12 VDC 1A Power Adapter



PFM900-E Integrated Mount Tester



TF-P100 MicroSD Memory Card



**Dimensions (mm[inch])**

