

Dome Network Camera

Installation Guide

V1.0.0



1.1 Optional

PH1
0.6 Nm

1.2

RESET

Micro SD

2

T10
0.6 N·m

3.1.1

3.1.2

Ø5 mm

3.1.3

3.1.4

PH1
0.6 Nm

A
B

A B

A B

B A

3.2.1

3.2.2

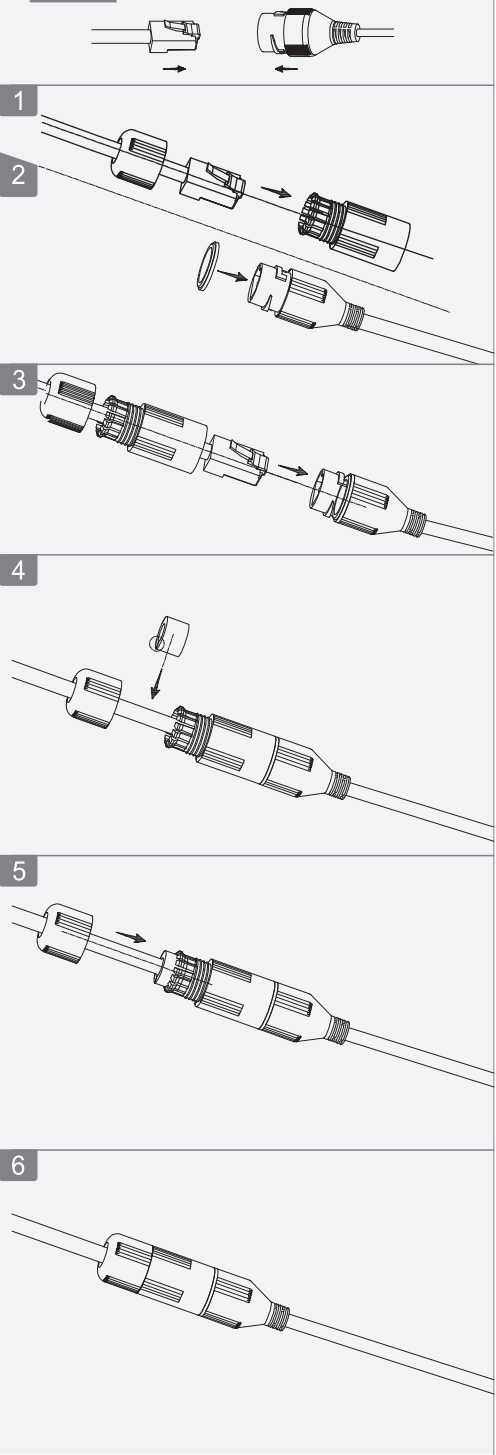
3.2.3

3.2.4

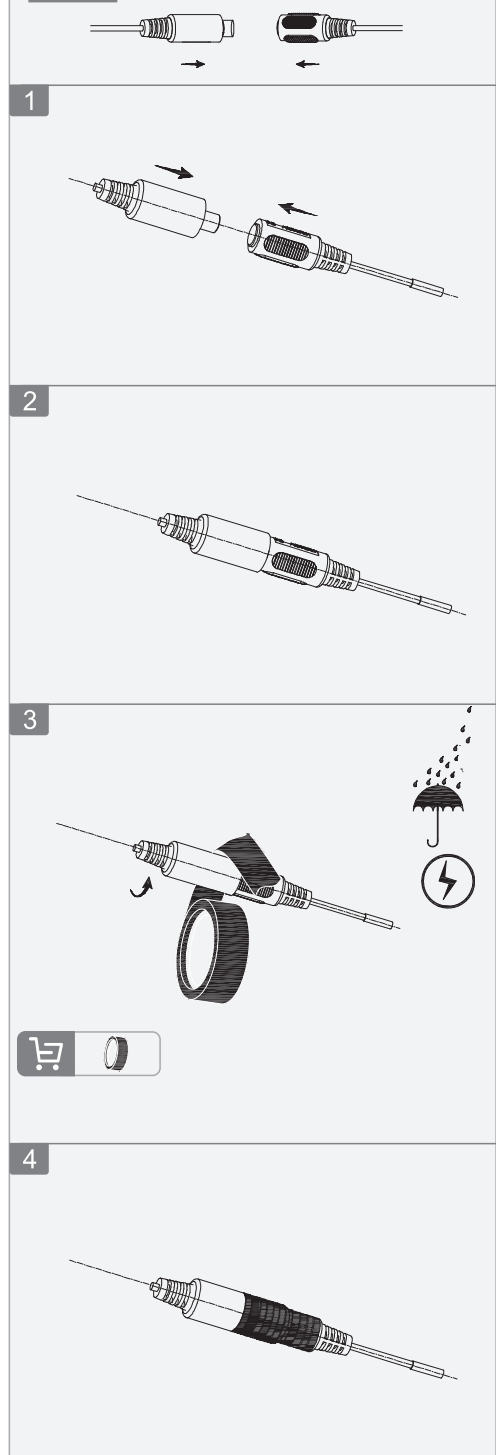
A B

B A

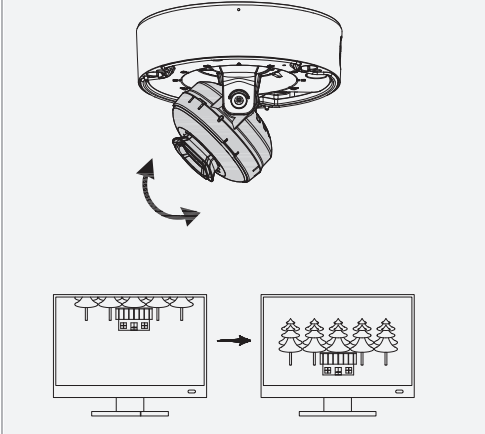
A Optional



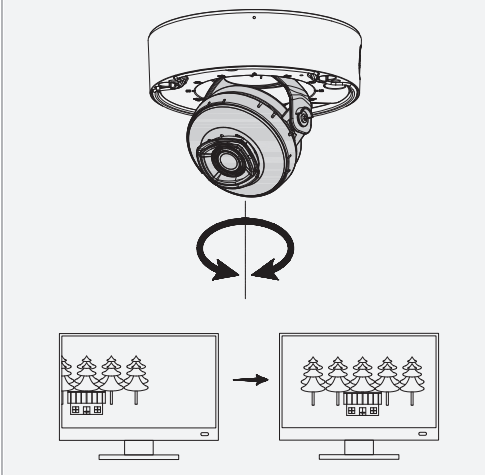
B



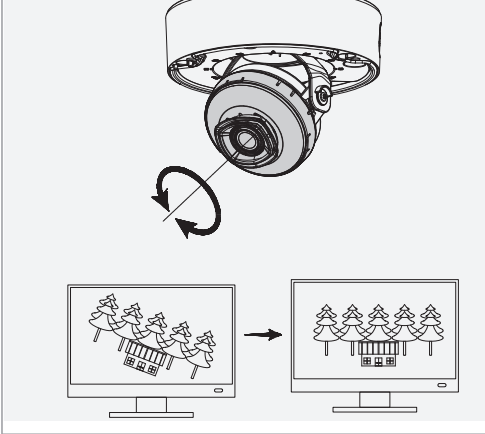
4.1



4.2



4.3



5

