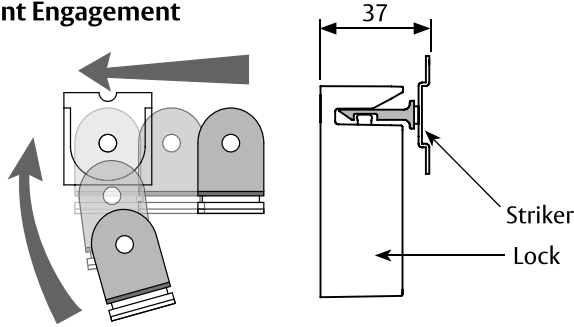


Lock can be mounted to engage from the front or side and is suitable for sliding drawers or swing cabinet doors.

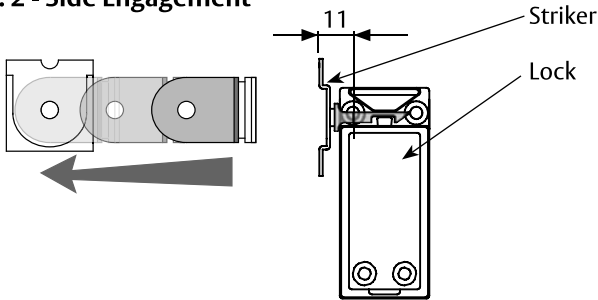
Part No. EL110 - 121 - 0618

Fig. 1 - Front Engagement



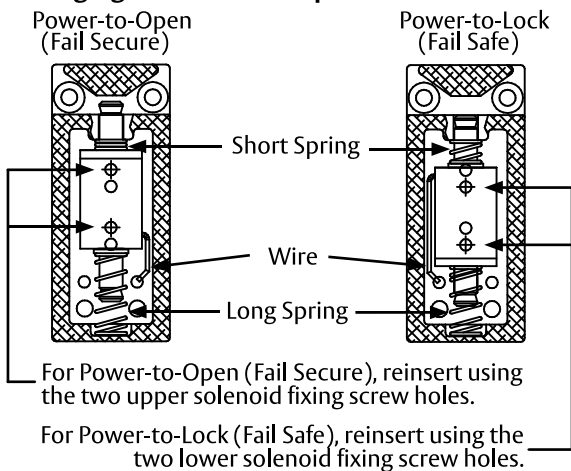
- Mount lock on inside drawer.
- Connect cables and allow sufficient space between the lock unit and cut-out for wires.
- Ensure strike plate is aligned and adjusted as shown.
- To prevent over or under-travel, set distance between back mounting face of lock and striker to 37mm.

Fig. 2 - Side Engagement



- Mount lock on inside drawer.
- Connect cables and allow sufficient space between the lock unit and cut-out for wires.
- Ensure strike plate is aligned and adjusted as shown.
- To prevent over or under-travel, set distance between back mounting face of striker and centre of nearest fixing hole of lock to 11mm.

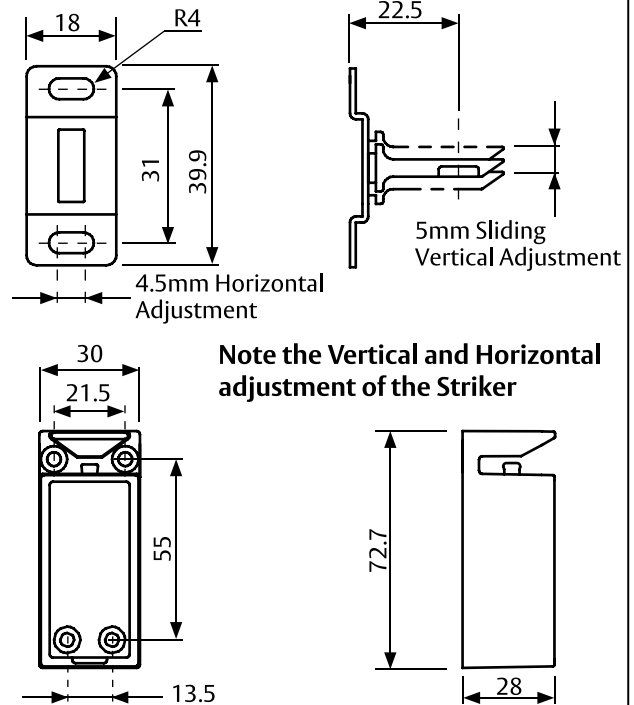
Fig. 4 - Changing Mode of Lock Operation*



***Mode change not applicable for product with 8m wire extension (available in PTO only)**

- Remove the two rear solenoid fixing screws. remove solenoid, springs and wire.
- Configure solenoid, springs and wire depending on the lock mode required, as shown above.

Fig. 3 - Lock and Strike Dimensions



Electrical Connections

CAUTION! Incorrect supply voltage may cause damage not covered by warranty. Please check supply voltage with a suitable meter to ensure it is within 10-13.8V DC. Current required is 250mA @ 12V DC **DO NOT OIL OR LUBRICATE.**

