

Diagram References

**1 Appearance**  
 ① Screen ② Microphone ③ Debugging Port ④ Network Interface  
 ⑤ Power Terminal ⑥ Loudspeaker ⑦ Alarm Terminal

Note:  
 • The appearance of the device varies according to different models. Refers to the actual device for detailed information.  
 • The debugging port is used for debugging only.

**2 Terminal and Wiring**

AIN1: Alarm Input 1	AIN5: Alarm Input 5
AIN2: Alarm Input 2	AIN6: Alarm Input 6
AIN3: Alarm Input 3	AIN7: Alarm Input 7
AIN4: Alarm Input 4	AIN8: Alarm Input 8
GND: Grounding	12 VDC: 12 VDC Power Input

**3 Installation**  
 It supports wall mounting. There are two installation modes.  
**Installation Accessory Description**  
 The wall mounting plate and junction box are required to install the indoor station onto the wall.  
 The dimension of junction box should be 75 mm (width) × 75 mm (length) × 50 mm (depth). The dimension of wall mounting plate is shown.  
**Before You Start**  
 • Make sure the device in the package is in good condition and all the assembly parts are included.  
 • The power supply the indoor station supports is 12 VDC. Please make sure your power supply matches your indoor station.  
 • Make sure all related equipments are power-off during the installation.  
 • Check the product specification for the installation environment.

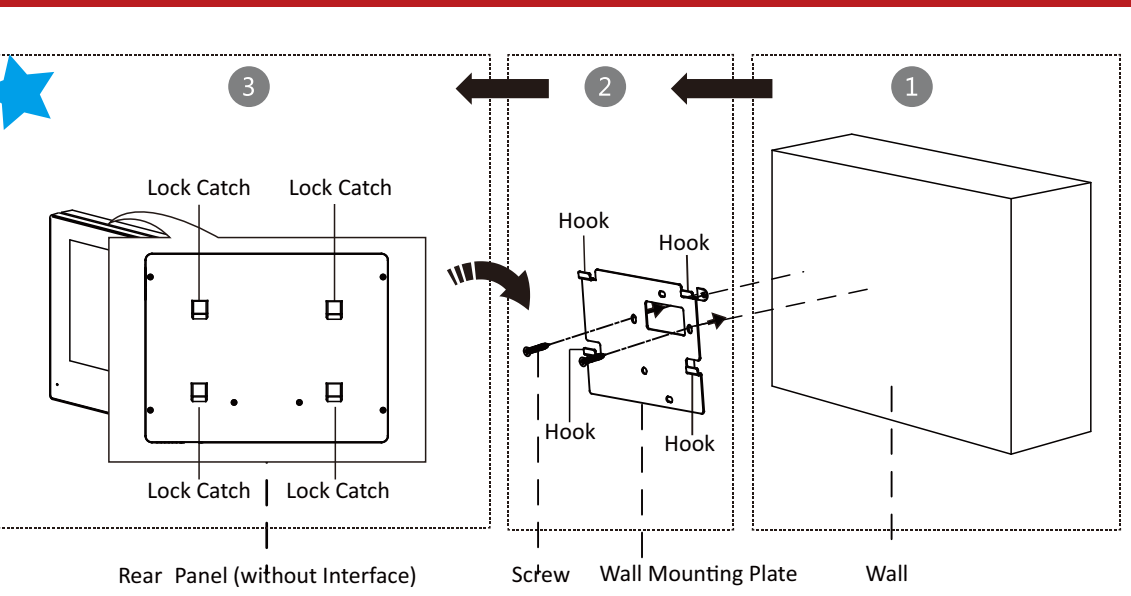
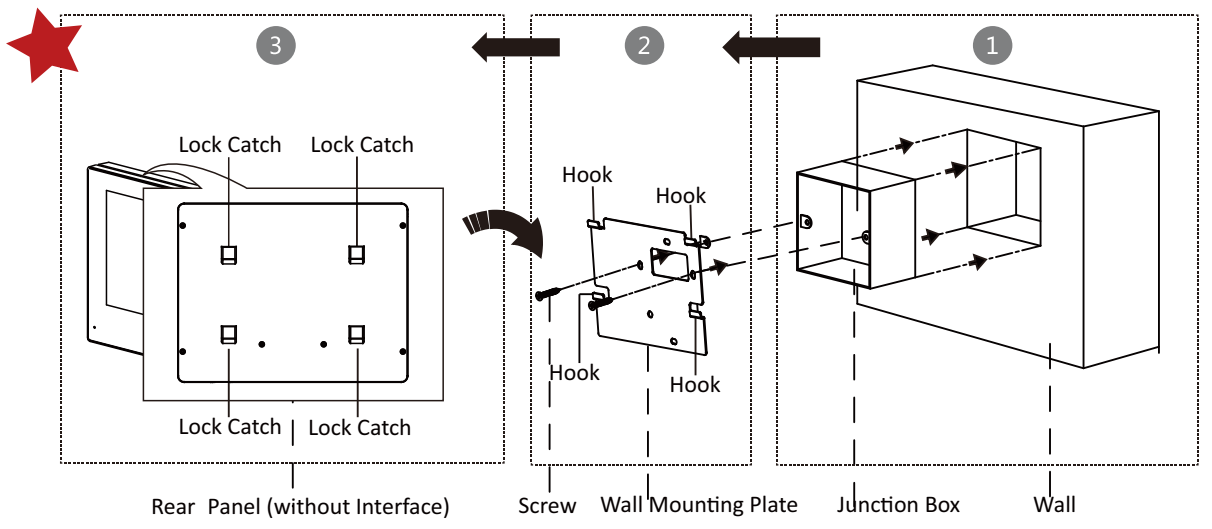
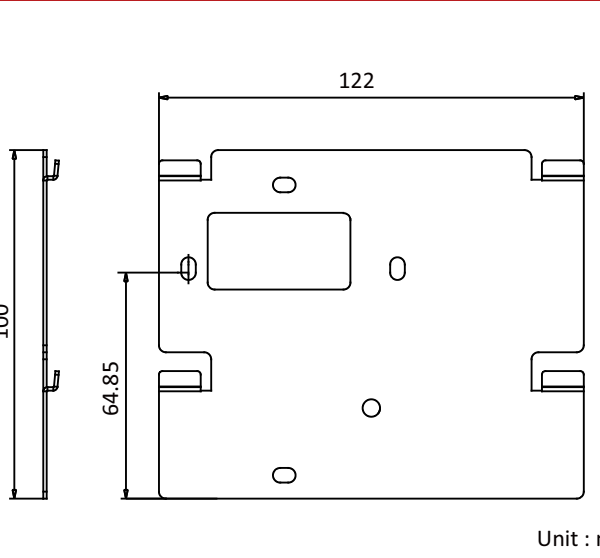
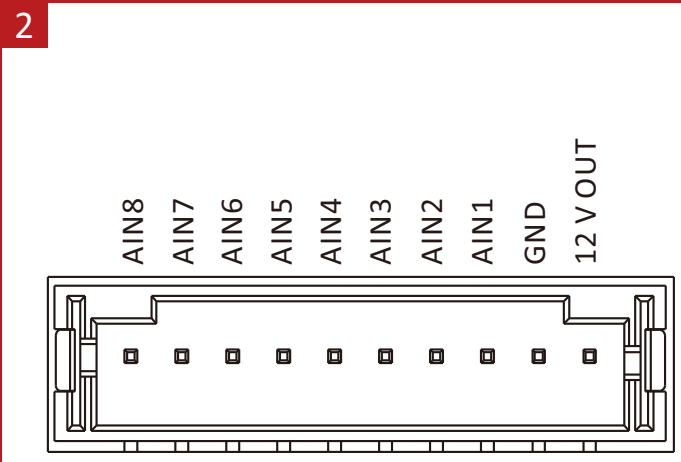
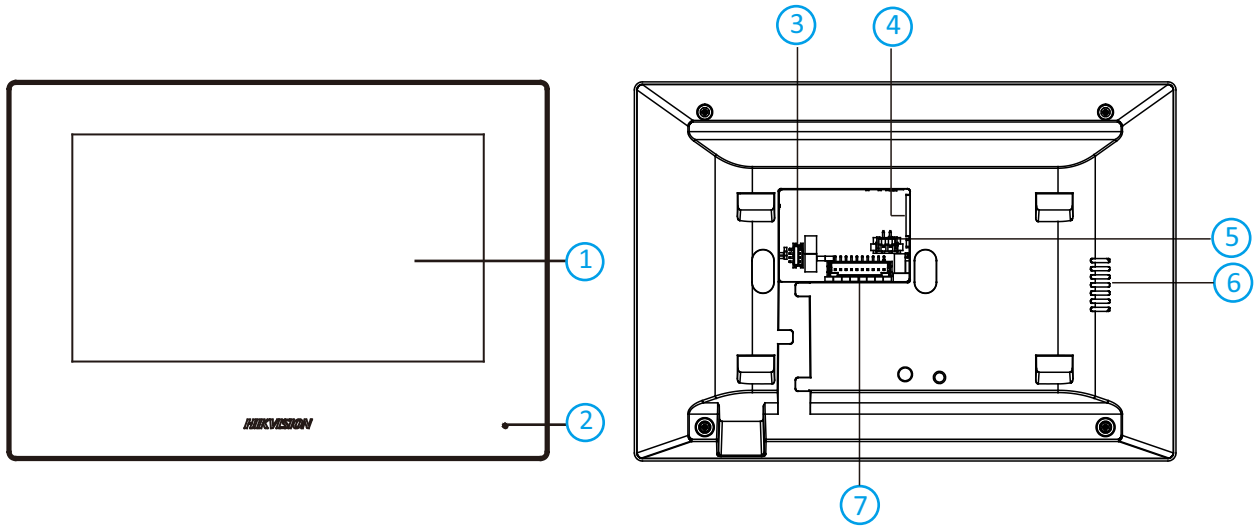
**★ Wall Mounting with junction Box**  
 1. Chisel a hole in the wall. The size of the hole should be 76 mm (width) × 76 mm (length) × 50 mm (depth).  
 2. Insert the junction box to the hole chiseled on the wall.  
 3. Fix the wall mounting plate to the junction box with 2 screws.  
 4. Hook the indoor station to the wall mounting plate tightly by inserting the plate hooks into the slots on the rear panel of the indoor station, during which the lock catch will be locked automatically.

**★ Wall Mounting without junction Box**  
 1. Insert 2 expansion tubes into the wall.  
 2. Fix the wall mounting plate to the junction box with 2 screws.  
 3. Hook the indoor station to the wall mounting plate tightly by inserting the plate hooks into the slots on the rear panel of the indoor station, during which the lock catch will be locked automatically.

**4 Getting Started**  
**1 Activate Indoor Station**  
 You are required to activate the device first by settings a strong password before you can use the device.  
 1. Power on the device. It will enter the activation page automatically.  
 2. Create a password and confirm it.  
 3. Tap OK to activate the indoor station.

**2 Quick Configuration**  
 1. Choose Language and tap Next.  
 2. Set network parameters and tap Next.  
 - Edit Local IP, Subnet Mask and Gateway parameters.  
 - Enable DHCP, the device will get network parameters automatically.  
 3. Select the device type.  
 a. Select Indoor Station, and set the floor and room No. Tap Next, and set the linked main door station.  
 b. Select Indoor Extension, and set the No. Tap Next, and set linked indoor station.  
 Note: If the main door station and the indoor station are in the same LAN, the main door station will be displayed in the list. Tap the device or enter the serial No. to link.  
 Note: If the indoor extension and the indoor station are in the same LAN, the indoor station will be displayed in the list. Tap the device or enter the serial No. to link.  
 4. Linked related devices and tap Next.  
 a. Set the linked device's parameters.  
 b. Tap the settings icon to pop up the Network Settings page.  
 c. Edit the network parameters of the door station manually or enable DHCP to get the network parameters automatically.  
 d. Tap OK to save the settings.  
 5. Tap Finish to save the settings.

Refers to Video Intercom Network Indoor Station Configuration Guide (Scan the QR code) for details.  
 Refers to Video Intercom Network Indoor Station Operation Guide (Scan the QR code) for details.



Scan the QR code to get the Configuration Guide for detailed information.



Scan the QR code to get the Operation Guide for detailed information.



Diagram References

- 1 Appearance**
- ① Microphone
  - ② Camera
  - ③ Indicator
  - ④ Button
  - ⑤ Card Reading Area
  - ⑥ Loudspeaker
  - ⑦ Terminals
  - ⑧ Debugging Port
  - ⑨ TAMPER
  - ⑩ Set Screw
  - ⑪ TF Card Slot
  - ⑫ Network Interface

Note: The debugging port is used for debugging only.

**Indicator Description**

Unlock: Green	Call: Orange	Communicate: White
---------------	--------------	--------------------

- 2 Terminal and Wiring**
- |                                      |                                   |
|--------------------------------------|-----------------------------------|
| NC: Door Lock Relay Output (NC)      | 485-: RS-485 Interface (Reserved) |
| NO: Door Lock Relay Output (NO)      | 485+: RS-485 Interface (Reserved) |
| COM: Common Interface                | 12 VDC IN: Power Supply Input     |
| AIN1: For the access of Door Contact | GND: Grounding                    |
| AIN3: For the access of Exit Button  |                                   |
| AIN2&AIN4: Reserved                  |                                   |

- 3 Installation Accessory**
- ① Mounting Template
  - ② Mounting Plate

Note: The dimension of the mounting plate is 102.58 mm x 39.24 mm x 6.2 mm.

- 4 Installation**
- Note: Video intercom villa door station supports surface mounting.
- Before You Start*
- Make sure all related equipments are power-off during the installation.
  - Tools that you need to prepare for installation: Drill (φ2.846) and gradienter.
  - Purchase the protective shield before installation.

- ★ **Surface Mounting without Protective Shield**
1. Stick the mounting template on the wall. Drill screw holes according to the mounting template. Remove the template from the wall.
  2. Secure the mounting plate on the wall with 4 supplied screws according to the screw holes.
  3. Install the villa door station to the mounting plate. Fix the device on the mounting plate with the set screw.

- ★ **Surface Mounting with Protective Shield**
1. Stick the mounting template on the wall. Drill the screw holes according to the mounting template. Remove the template from the wall.
  2. Align the protective shield with the mounting template.
  3. Secure the mounting plate and protective shield on the wall with 4 supplied screws according to the screw holes.
  4. Install the villa door station to the mounting plate. Fix the device on the mounting plate with the set screw.

**5 Configuration via Web**

- 1 Activate Device via Web**
- You are required to activate the device first by settings a strong password before you can use the device.
- Default parameters of door station are as follows:
- Default IP Address: 192.0.0.65.
  - Default Port No.:8000.
  - Default User Name: admin
1. Power on the device, and connect the device to the network.
  2. Enter the IP address into the address bar of the web browser, and click Enter to enter the activation page.
  3. Create and enter a password into the password field.
  4. Confirm the password.
  5. Click OK to activate the device.

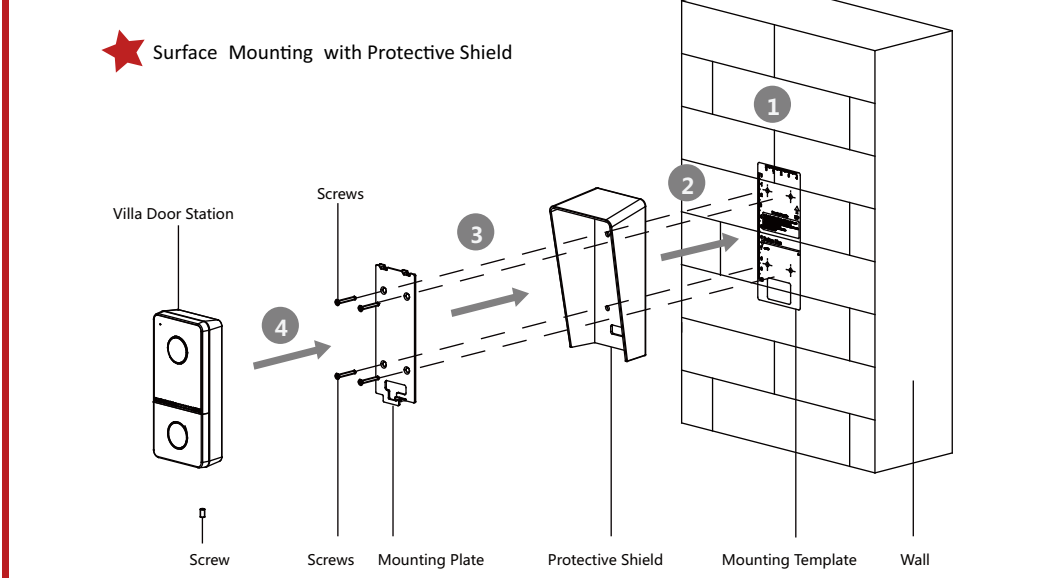
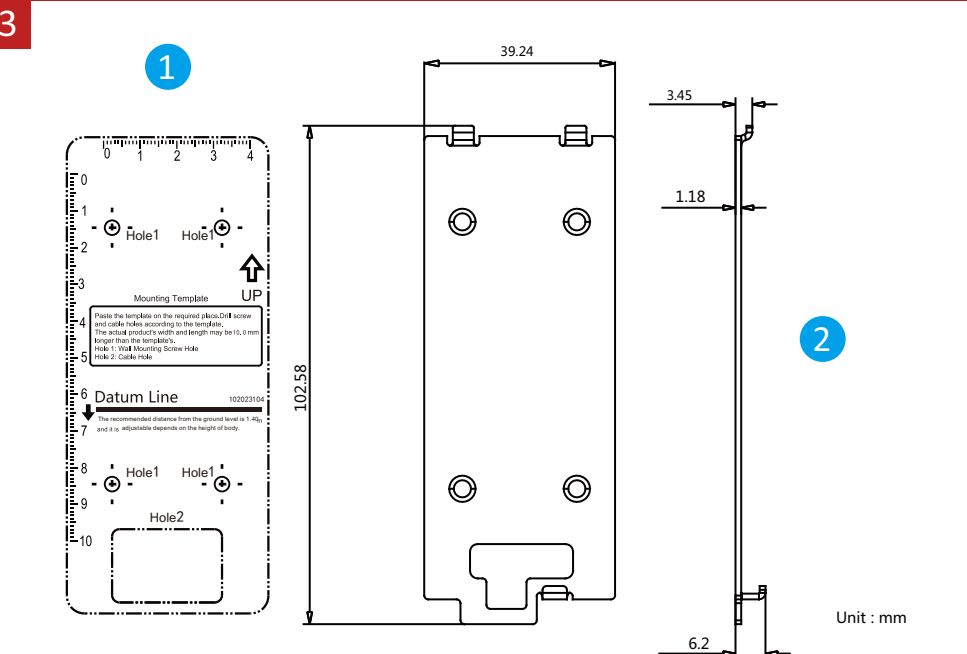
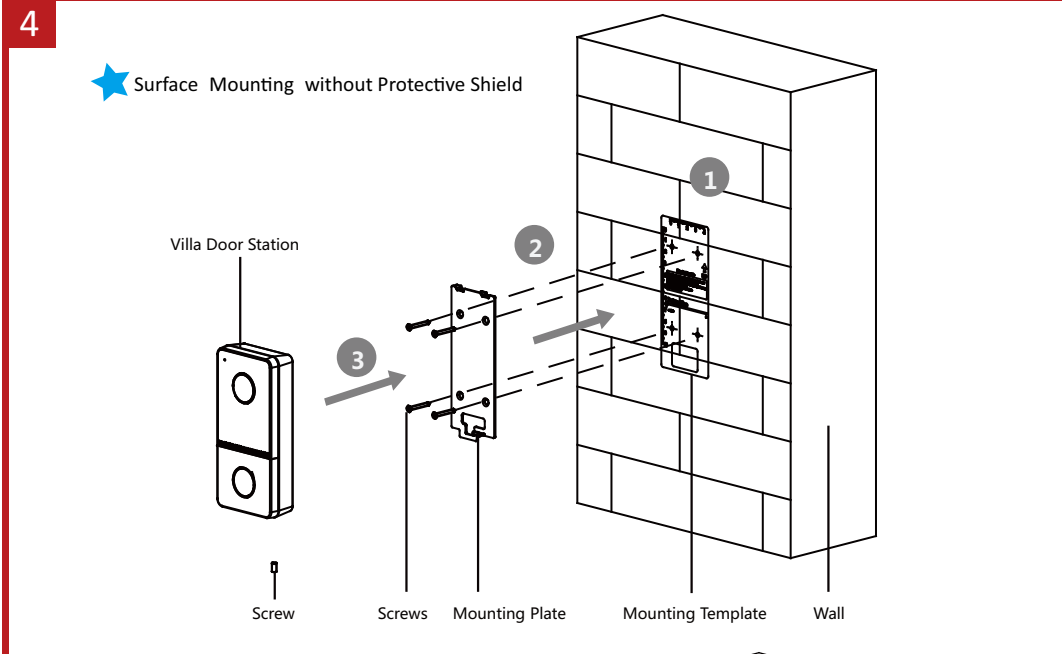
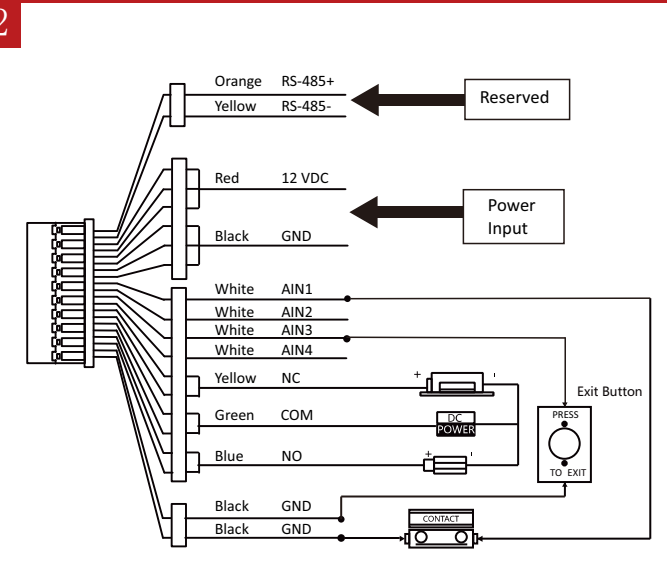
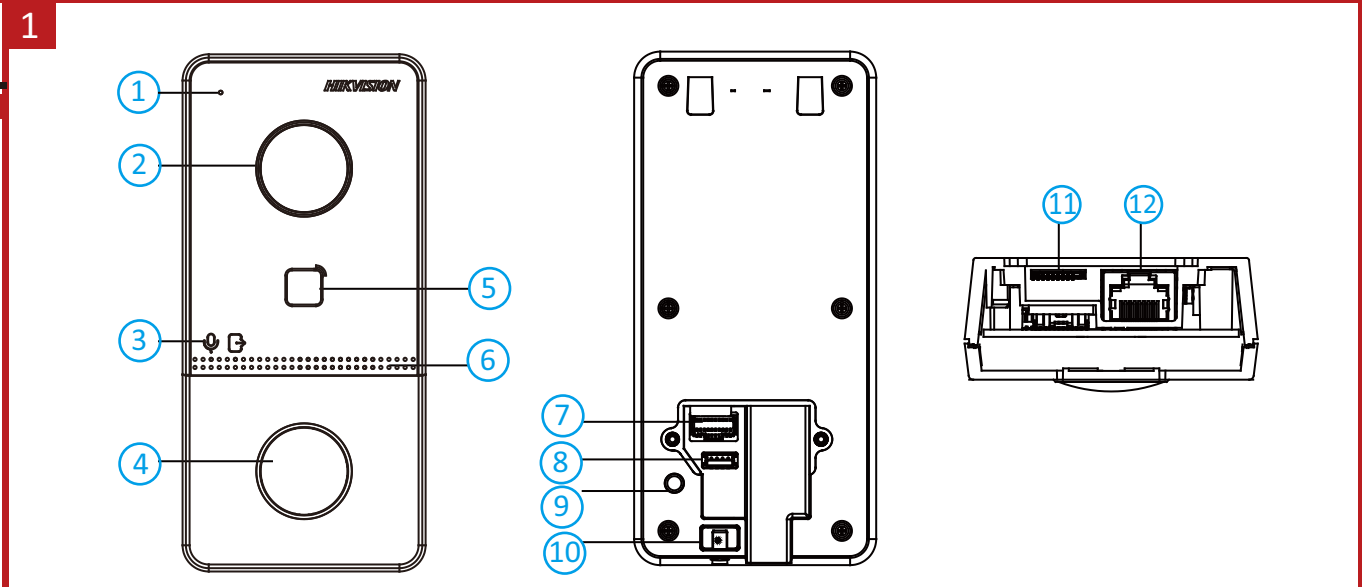
Note: When the device is not activated, the basic operation and remote configuration of device cannot be performed.

- 2 Access to the Device by Web Browsers**
1. In the browser address bar, enter the IP address of the device, and press the Enter key to enter the login page.
  2. Enter the user name and password and click Login.

- 3 Communicate with Indoor Station**
1. Click Settings -> Intercom -> Press Button to Call to enter the settings page.
  2. Set the parameters.
    - Edit call No. for every button.
    - Check Call Management Center to set the button calling center.
  3. Press button to call indoor station.

- 4 Issue Card**
1. Click Settings -> Access Control and Elevator Control to enter the settings page.
  2. Click Issue Card. Present the card on the card reading area.
  3. When issuing finished, the windows pop up on the settings page.

- 5 Unlock Door**
- After issuing cards, you can unlock the door by presenting the issued cards.
- Refers to Video Intercom Villa Door Station User Manual (scan the QR code) for details.



Scan the QR code to get the User Manual for detailed information.



## DS-KIS605-P

Video Intercom Network Bundle

DS-KH6320-LE1	FRANÇAIS
Video Intercom Network Indoor Station	

#### Références du schéma

#### 1 Apparence

- |                                  |                                     |                                 |
|----------------------------------|-------------------------------------|---------------------------------|
| <span>1</span> Écran             | <span>2</span> Microphone           | <span>3</span> Port de débogage |
| <span>4</span> Interface réseau  | <span>5</span> Borne d'alimentation | <span>6</span> Haut-parleur     |
| <span>7</span> Terminal d'alarme |                                     |                                 |

Remarque :

- L'aspect de l'appareil varie en fonction des différents modèles. Reportez-vous à l'appareil réel pour des informations détaillées.
- Le port de débogage est réservé uniquement à l'usage prévu.

#### 2 Borne et câblage

Remarque : pour la description des bornes et du câblage, reportez-vous à la figure et au manuel de l'utilisateur.

#### 3 Installation

*Avant de commencer*

- Assurez-vous que l'appareil dans son emballage est en bonne condition et que toutes les pièces de montage sont incluses.
- Assurez-vous que tous les équipements connexes sont hors tension pendant l'installation.

- Vérifiez que les spécifications du produit sont adéquates à l'environnement d'installation.

Remarque : pour l'installation, reportez-vous à la figure et au manuel d'utilisation.

#### 4 Premiers pas

##### 1 Activer un appareil

Vous devez d'abord activer l'appareil en définissant un mot de passe fort avant de pouvoir l'utiliser.

Activez l'appareil localement ou à distance via le logiciel client iVMS-4200.

##### 2 Configuration rapide

Suivez les instructions sur les interfaces correspondantes.

## DS-KH6320-LE1

Video Intercom Network Indoor Station

DS-KH6320-LE1	DEUTSCH
Video Intercom Network Indoor Station	

#### Verweise auf Schaubilder

#### 1 Aufbau

- |                                      |                                |                                |
|--------------------------------------|--------------------------------|--------------------------------|
| <span>1</span> Bildschirm            | <span>2</span> Mikrofon        | <span>3</span> Debug-Anschluss |
| <span>4</span> Netzwerkanschluss     | <span>5</span> Anschlussklemme | <span>6</span> Lautsprecher    |
| <span>7</span> Alarm-Anschlussklemme |                                |                                |

Hinweis:

- Das Erscheinungsbild des Geräts variiert je nach Modell. Für detaillierte Informationen siehe das tatsächliche Produkt.
- Der Debugging-Anschluss wird nur für die Fehlersuche verwendet.

#### 2 Anschlüsse und Verkabelung

Hinweis: Beschreibungen der Anschlussklemmen und der Verdrahtung finden Sie in der Abbildung und im Benutzerhandbuch.

#### 3 Installation

*Bevor Sie beginnen*

- Achten Sie darauf, dass sich das Gerät in der Verpackung in gutem Zustand befindet und alle Montageteile enthalten sind.
- Achten Sie darauf, dass alle relevanten Geräte während der Montage ausgeschaltet sind.

- Überprüfen Sie die Produktspezifikation für die Installationsumgebung.

Hinweis: Einzelheiten zur Installation finden Sie in der Abbildung und im Benutzerhandbuch.

#### 4 Erste Schritte

##### 1 Gerät aktivieren

Bevor Sie das Gerät benutzen können, müssen Sie zunächst ein sicheres Passwort festlegen, um das Gerät zu aktivieren.

Aktivieren Sie das Gerät lokal oder aus der Ferne über die iVMS-4200-Clientsoftware.

##### 2 Schnellkonfiguration

Folgen Sie den Aufforderungen in den entsprechenden Menüs.

## DS-KH6320-LE1

Video Intercom Network Indoor Station

DS-KH6320-LE1	ESPAÑOL
Video Intercom Network Indoor Station	

#### Referencias del diagrama

#### 1 Apariencia

- |                                   |                                      |                                     |
|-----------------------------------|--------------------------------------|-------------------------------------|
| <span>1</span> Pantalla           | <span>2</span> Micrófono             | <span>3</span> Puerto de depuración |
| <span>4</span> Interfaz de red    | <span>5</span> Borne de alimentación | <span>6</span> Altavoz              |
| <span>7</span> Terminal de alarma |                                      |                                     |

Nota:

- La apariencia del dispositivo varía en función del modelo. Consulte el dispositivo en concreto para más información.
- El puerto de depuración solo sirve para depurar.

#### 2 Terminal y cableado

Nota: para las descripciones de los terminales y del cableado, consulte la figura y el manual de usuario.

#### 3 Instalación

*Antes de comenzar*

- Asegúrese de que el dispositivo incluido esté en buenas condiciones y se incluyan todas las piezas de ensamblaje.
- Asegúrese de que todos los equipos relacionados estén apagados durante la instalación.

- Consulte las especificaciones del producto al realizar la instalación.

Nota: Nota: consulte las ilustraciones y el manual de usuario para conocer el procedimiento de instalación.

#### 4 Primeros pasos

##### 1 Activar dispositivo

Antes de poder utilizar el dispositivo es necesario activarlo estableciendo una contraseña segura.

Active el dispositivo de forma local o a distancia mediante el software de cliente iVMS-4200.

##### 2 Configuración rápida

Siga los avisos de las interfaces correspondientes.

## DS-KH6320-LE1

Video Intercom Network Indoor Station

DS-KH6320-LE1	ITALIANO
Video Intercom Network Indoor Station	

#### Riferimento schemi

#### 1 Aspetto

- |                                     |   |                                   |
|-------------------------------------|---|-----------------------------------|
| <span>1</span> Schermo              | <span>2</span> Microfono                  | <span>3</span> Porta di debugging |
| <span>4</span> Interfaccia di rete  | <span>5</span> Terminale di alimentazione | <span>6</span> Altoparlante       |
| <span>7</span> Terminale di allarme |   |                                   |

Nota:

- L'aspetto del dispositivo varia in base al modello. Per informazioni dettagliate, fare riferimento al dispositivo effettivo.
- La porta si usa solo per attività di debugging.

#### 2 Terminale e cablaggio

Nota: per la descrizione del cablaggio e dei terminali, fare riferimento alla figura e al Manuale dell'utente.

#### 3 Installazione

*Prima di iniziare*

- Verificare il dispositivo contenuto nella confezione sia in buone condizioni e che tutti gli elementi di assemblaggio siano presenti.
- Verificare che durante l'installazione tutte apparecchiature correlate siano spente.

- Controllare che le specifiche del prodotto corrispondano a quelle dell'ambiente di installazione.

Nota: Per l'installazione, fare riferimento alla figura e al Manuale dell'utente.

#### 4 Operazioni preliminari

##### 1 Attiva dispositivo

Prima di utilizzare il dispositivo è necessario attivarlo impostando una password sicura.

Attivare il dispositivo localmente o da remoto tramite il software client iVMS-4200.

##### 2 Configurazione rapida

Seguire le indicazioni sulle interfacce corrispondenti.

## DS-KH6320-LE1

Video Intercom Network Indoor Station

DS-KH6320-LE1	PORTUGUÊS
Video Intercom Network Indoor Station	

#### Referências do diagrama

#### 1 Aspeto

- |                                   |  |                                   |
|-----------------------------------|--|-----------------------------------|
| <span>1</span> Ecrã               | <span>2</span> Microfone               | <span>3</span> Porta de depuração |
| <span>4</span> Interface de rede  | <span>5</span> Terminal de alimentação | <span>6</span> Altifalante        |
| <span>7</span> Terminal de alarme |  |                                   |

Nota:

- O aspeto do dispositivo varia consoante o modelo. Consulte a documentação específica do dispositivo para obter informações detalhadas.
- A Porta de depuração destina-se apenas para fins de depuração.

#### 2 Terminal e cablagem

Nota: Para as descrições de cablagem e dos terminais, consulte a figura e o manual do utilizador.

#### 3 Instalação

*Antes de começar*

- Certifique-se de que o dispositivo na embalagem se encontra em boas condições e de que todas as peças de montagem estão incluídas.
- Certifique-se de que, durante a instalação, todo o equipamento relacionado se encontra desligado.

- Verifique a especificação do produto para o ambiente de instalação.

Nota: Para a instalação, consulte a figura e o Manual do Utilizador.

#### 4 Introdução

##### 1 Ativar dispositivo

Antes de poder utilizar o dispositivo, é necessário ativá-lo primeiro, definindo uma palavra-passe segura.

Ative localmente o dispositivo ou remotamente através do software de cliente iVMS-4200.

##### 2 Configuração rápida

Siga as mensagens apresentadas nas interfaces correspondentes.

## DS-KH6320-LE1

Video Intercom Network Indoor Station

DS-KH6320-LE1	NEDERLANDS
Video Intercom Network Indoor Station	

#### Schemareferenties

#### 1 Uiterlijk

- |                                  |                                    |                                    |
|----------------------------------|------------------------------------|------------------------------------|
| <span>1</span> Scherm            | <span>2</span> Microfoon           | <span>3</span> Poort voor debuggen |
| <span>4</span> Netwerkkinterface | <span>5</span> Aansluiting voeding | <span>6</span> Luidspreker         |
| <span>7</span> Alarmaansluiting  |                                    |                                    |

Opmerking:

- Het uiterlijk van het apparaat varieert per model. Raadpleeg het daadwerkelijke apparaat voor meer informatie.
- De foutopsporingspoort wordt alleen gebruikt voor foutopsporing.

#### 2 Aansluitingen en bedrading

Opmerking: Raadpleeg voor een beschrijving van de aansluiting en bedrading de afbeelding en de gebruikershandleiding.

#### 3 Installatie

*Voordat u begint*

- Zorg dat het verpakte apparaat zich in goede staat bevindt en er geen onderdelen ontbreken.
- Zorg dat alle bijbehorende apparatuur tijdens de installatie is uitgeschakeld.

- Controleer de productspecificatie op geschiktheid in de installatieomgeving.

Opmerking: Raadpleeg voor installatie de afbeeldingen en de gebruikershandleiding.

#### 4 Aan de slag

##### 1 Apparaat activeren

U dient het apparaat voor gebruik eerst te activeren door er een sterk wachtwoord voor in te stellen.

Schakel het apparaat ter plekke of op afstand in m.b.v. iVMS-4200-clientsoftware.

##### 2 Snelle configuratie

Volg de aanwijzingen op desbetreffende interfaces.

## DS-KH6320-LE1

Video Intercom Network Indoor Station

DS-KH6320-LE1	ČEŠTINA
Video Intercom Network Indoor Station	

#### Popis obrázků

#### 1 Vzhled

- |                                |                                  |                            |
|--------------------------------|----------------------------------|----------------------------|
| <span>1</span> Obrazovka       | <span>2</span> Mikrofon          | <span>3</span> Ladicí port |
| <span>4</span> Síťové rozhraní | <span>5</span> Napájecí terminál | <span>6</span> Reproduktor |
| <span>7</span> Svorka alarmu   |                                  |                            |

Poznámka:

- Vzhled zařízení se u různých modelů liší. Podrobné informace naleznete v dokumentaci příslušného zařízení.

- Ladicí port se používá pouze k ladění.

#### 2 Svorka a zapojení

Poznámka: Popis svorky a zapojení naleznete na obrázku a v návodu k použití.

#### 3 Montáž

*Dříve než začnete*

- Ujistěte se, zda je zařízení v balení v dobrém stavu a zda jsou přítomny všechny dodávané součásti.
- Ujistěte se, že veškerá příslušná zařízení jsou během instalace vypnutá.

- Zkontrolujte technické údaje produktu týkající se prostředí instalace.

Poznámka: Při instalaci se říďte obrázkem a uživatelskou příručkou.

#### 4 Začínáme

##### 1 Aktivace zařízení

Před použitím zařízení je musíte aktivovat nastavením silného hesla.

Zařízení aktivujte v místě nebo vzdáleně prostřednictvím klientského softwaru iVMS-4200.

##### 2 Rychlá konfigurace

Postupujte podle výzev v příslušném rozhraní.

## DS-KH6320-LE1

Video Intercom Network Indoor Station

DS-KH6320-LE1	DANSK
Video Intercom Network Indoor Station	

#### Diagramoversigt

#### 1 Beskrivelse

- |                              |                              |                                     |
|------------------------------|------------------------------|-------------------------------------|
| <span>1</span> Skærm         | <span>2</span> Mikrofon      | <span>3</span> Port til fejlfinding |
| <span>4</span> Netværksstik  | <span>5</span> Strømterminal | <span>6</span> Højtaler             |
| <span>7</span> Alarmterminal |                              |                                     |

Bemærk:

- Enhedens udseende varierer i henhold til forskellige modeller. Se den faktiske enhed for nærmere oplysninger.
- Fejlfindingsporten bruges kun til fejlfinding.

#### 2 Terminal og ledningsføring

Bemærk: Find beskrivelse af terminaler og ledningsføring i figuren og brugervejledningen.

#### 3 Installation

*Før du starter*

- Kontrollér, at enheden i pakken er i god tilstand, og at alle dele til samling medfølger.
- Kontrollér, at alt tilknyttet udstyr er slukket under installationen.

- Kontrollér produktspecifikationerne for installationsmiljøet.

Bemærk: Find oplysninger om installationen i figuren og brugervejledningen.

#### 4 Kom godt i gang

##### 1 Aktivér enhed

Du skal først aktivere enheden ved at indstille en stærk adgangskode, før du kan anvende enheden.

Aktivér enheden lokalt eller via fjernadgang via iVMS-4200-klientsoftware.

##### 2 Hurtig konfiguration

Følg talevejledningen på de tilsvarende skærme.

DS-KV6113-WPE1	FRANÇAIS
<span></span> Video Intercom Villa Door Station	<span></span> <span></span>

Références du schéma

**1** Apparence

- |                   |                            |                     |
|-------------------|----------------------------|---------------------|
| 1 Microphone      | 2 Caméra                   | 3 Indicateur        |
| 4 Touche          | 5 Zone de lecture de carte | 6 Haut-parleur      |
| 7 Bornes          | 8 Port de débogage         | 9 SABOTAGE          |
| 10 Vis de blocage | 11 Fente de carte TF       | 12 Interface réseau |

Remarque : l'apparence de l'appareil varie selon le modèle. Reportez-vous à l'appareil proprement dit.

**Description de l'indicateur**

Déverrouillage : Vert    Appeler : orange    Communiquer : blanc

**2** Borne et câblage

Remarque : reportez-vous au manuel d'utilisation pour une description du câblage.

**3** Accessoire d'installation

Remarque : pour connaître les dimensions des accessoires d'installation, veuillez vous reporter au manuel d'utilisation.

**4** Installation

*Avant de commencer*

- Assurez-vous que l'appareil dans son emballage est en bonne condition et que toutes les pièces de montage sont incluses.
- Assurez-vous que tous les équipements connexes sont hors tension pendant l'installation.
- Vérifiez que les spécifications du produit sont adéquates à l'environnement d'installation.

*Remarque : pour l'installation, reportez-vous à la figure et au manuel d'utilisation.*

**5** Configuration

**1** Activer un appareil

Vous devez d'abord activer l'appareil en définissant un mot de passe fort avant de pouvoir l'utiliser.

Activez l'appareil à distance via le logiciel client iVMS-4200.

**2** Configuration à distance

*Remarque : Pour plus de détails sur la configuration, consultez le manuel d'utilisation.*

DS-KV6113-WPE1	DEUTSCH
<span></span> Video Intercom Villa Door Station	<span></span> <span></span>

Verweise auf Schaubilder

**1** Aufbau

- |                      |                        |                      |
|----------------------|------------------------|----------------------|
| 1 Mikrofon           | 2 Kamera               | 3 Statusanzeige      |
| 4 Taste              | 5 Kartenlesebereich    | 6 Lautsprecher       |
| 7 Anschlussklemmen   | 8 Debug-Anschluss      | 9 SABOTAGE           |
| 10 Feststellschraube | 11 TF-Kartensteckplatz | 12 Netzwerkanschluss |

Hinweis: Der Aufbau des Geräts variiert je nach Modell. Beziehen Sie sich auf das tatsächliche Gerät.

**Anzeigen**

Entriegeln: Grün    Anruf: Orange    Kommunikation: Weiß

**2** Anschlüsse und Verkabelung

Hinweis: Die Beschreibung der Verkabelung finden Sie im Benutzerhandbuch.

**3** Installationszubehör

Hinweis: Entnehmen Sie den Umfang des Installationszubehörs dem Benutzerhandbuch.

**4** Installation

*Bevor Sie beginnen*

- Achten Sie darauf, dass sich das Gerät in der Verpackung in gutem Zustand befindet und alle Montageteile enthalten sind.
- Achten Sie darauf, dass alle relevanten Geräte während der Montage ausgeschaltet sind.
- Überprüfen Sie die Produktspezifikation für die Installationsumgebung.

*Hinweis: Einzelheiten zur Installation finden Sie in der Abbildung und im Benutzerhandbuch.*

**5** Konfiguration

**1** Gerät aktivieren

Bevor Sie das Gerät benutzen können, müssen Sie zunächst ein sicheres Passwort festlegen, um das Gerät zu aktivieren.

Aktivierung aus der Ferne über das Web oder die iVMS-4200 Client-Software.

**2** Fernkonfiguration

*Hinweis: Weitere Informationen zur Konfiguration finden Sie im Benutzerhandbuch.*

DS-KV6113-WPE1	ESPAÑOL
<span></span> Video Intercom Villa Door Station	<span></span> <span></span>

Referencias del diagrama

**1** Apariencia

- |                        |                               |                    |
|------------------------|-------------------------------|--------------------|
| 1 Micrófono            | 2 Cámara                      | 3 Piloto           |
| 4 Botón                | 5 Área de lectura de tarjetas | 6 Altavoz          |
| 7 Terminales           | 8 Puerto de depuración        | 9 MANIPULACIÓN     |
| 10 Tornillo de presión | 11 Ranura para tarjeta TF     | 12 Interfaz de red |

Nota: el aspecto del dispositivo varía en función del modelo. Remítase al dispositivo en cuestión.

**Descripción del indicador**

Desbloquear: Verde    Llamar: naranja    Comunicar: blanco

**2** Terminal y cableado

Nota: Para ver una descripción del cableado, consulte el manual de usuario.

**3** Accesorio de instalación

Nota: consulte el manual de usuario para ver las dimensiones de los accesorios de instalación.

**4** Instalación

*Antes de comenzar*

- Asegúrese de que el dispositivo incluido esté en buenas condiciones y se incluyan todas las piezas de ensamblaje.
- Asegúrese de que todos los equipos relacionados estén apagados durante la instalación.
- Consulte las especificaciones del producto al realizar la instalación.

Nota: Nota: consulte las ilustraciones y el manual de usuario para conocer el procedimiento de instalación.

**5** Configuración

Activar dispositivo

**1** Antes de poder utilizar el dispositivo es necesario activarlo estableciendo una contraseña segura.

Actívelo a distancia a través de la página web o el software de cliente iVMS-4200.

**Configuración remota**

**2** Nota: consulte el manual de usuario para ver la configuración.

DS-KV6113-WPE1	PORTUGUÊS
<span></span> Video Intercom Villa Door Station	<span></span> <span></span>

Referências do diagrama

**1** Aspeto

- |                        |                              |                      |
|------------------------|------------------------------|----------------------|
| 1 Microfone            | 2 Câmara                     | 3 Indicador          |
| 4 Botão                | 5 Área de leitura de cartões | 6 Altifalante        |
| 7 Terminais            | 8 Porta de depuração         | 9 ADULTERAÇÃO        |
| 10 Parafuso de fixação | 11 Ranhura Para Cartão TF    | 12 Interface de rede |

Nota: O aspeto do dispositivo varia consoante o modelo. Consulte o próprio dispositivo.

**Descrição do indicador**

Desbloqueado: Verde    Chamada: Cor de laranja    Comunicar: Branco

**2** Terminal e cablagem

Nota: Para obter a descrição da fiação, consulte o Manual de Utilizador.

**3** Acessório para instalação

Nota: Para obter a dimensão dos acessórios para instalação, consulte o Manual do Utilizador.

**4** Instalação

*Antes de começar*

- Certifique-se de que o dispositivo na embalagem se encontra em boas condições e de que todas as peças de montagem estão incluídas.
- Certifique-se de que, durante a instalação, todo o equipamento relacionado se encontra desligado.
- Verifique a especificação do produto para o ambiente de instalação.

*Nota: Para a instalação, consulte a figura e o Manual do Utilizador.*

**5** Configuração

**1** Ativar dispositivo

Antes de poder utilizar o dispositivo, é necessário ativá-lo primeiro, definindo uma palavra-passe segura.

Ative o dispositivo remotamente através da Web ou do software iVMS-4200 do cliente.

**2** Configuração remota

*Nota: Para obter informações sobre a configuração remota, consulte o Manual do Utilizador.*

DS-KV6113-WPE1	NEDERLANDS
<span></span> Video Intercom Villa Door Station	<span></span> <span></span>

Schemareferenties

**1** Uiterlijk

- |                 |                       |                     |
|-----------------|-----------------------|---------------------|
| 1 Microfoon     | 2 Camera              | 3 Pictogram         |
| 4 Toets         | 5 Kaartleesgedeelte   | 6 Luidspreker       |
| 7 Aansluitingen | 8 Poort voor debuggen | 9 MANIPULATIE       |
| 10 Stelschroef  | 11 Sleuf TF-kaart     | 12 Netwerkinterface |

Opmerking: De verschijningsvorm van het apparaat kan variëren naar gelang de verschillende modellen. Verwijst naar het daadwerkelijke apparaat.

**Indicatorbeschrijving**

Ontgrendelen: Groen    Bellen: Oranje    Communiceren: Wit

**2** Aansluitingen en bedrading

Opmerking: De omschrijving van de bedrading verwijst naar de gebruiksaanwijzing.

**3** Installatie-accessoire

Opmerking: Raadpleeg de gebruikershandleiding voor de afmetingen van installatie-accessoires.

**4** Installatie

*Voordat u begint*

- Zorg dat het verpakte apparaat zich in goede staat bevindt en er geen onderdelen ontbreken.
- Zorg dat alle bijbehorende apparatuur tijdens de installatie is uitgeschakeld.
- Controleer de productspecificatie op geschiktheid in de installatieomgeving.

*Opmerking: Raadpleeg voor installatie de afbeeldingen en de gebruikershandleiding.*

**5** Configuratie

**1** Apparaat activeren

U dient het apparaat voor gebruik eerst te activeren door er een sterk wachtwoord voor in te stellen.

Activeer op afstand via internet of iVMS-4200-clientsoftware.

**2** Configuratie op afstand

*Opmerking: Raadpleeg de gebruikershandleiding voor de configuratie.*

DS-KV6113-WPE1	ČEŠTINA
<span></span> Video Intercom Villa Door Station	<span></span> <span></span>

Popis obrázků

**1** Vzhled

- |                  |                      |                          |
|------------------|----------------------|--------------------------|
| 1 Mikrofon       | 2 Kamera             | 3 Indikátor              |
| 4 Tlačítko       | 5 Oblast čtení karty | 6 Reproduktor            |
| 7 Svorky         | 8 Ladicí port        | 9 NEOPRÁVNĚNÉ MANIPULACE |
| 10 Stavěcí šroub | 11 Slot pro kartu TF | 12 Síťové rozhraní       |

Poznámka: Vzhled zařízení se u různých modelů liší. Viz konkrétní zařízení.

**Popis indikátoru**

Odemknout: Zelená    Volání: Oranžová    Komunikace: Bílá

**2** Svorka a zapojení

Poznámka: Popis zapojení viz uživatelská příručka.

**3** Příslušenství pro instalaci

**4** Montáž

*Dříve než začnete*

- Ujistěte se, zda je zařízení v balení v dobrém stavu a zda jsou přítomny všechny dodávané součásti.
- Ujistěte se, že veškerá příslušná zařízení jsou během instalace vypnutá.
- Zkontrolujte technické údaje produktu týkající se prostředí instalace.

*Poznámka: Při instalaci se řiďte obrázkem a uživatelskou příručkou.*

**5** Konfigurace

**1** Aktivace zařízení

Před použitím zařízení je musíte aktivovat nastavením silného hesla.

Zařízení se aktivuje vzdáleně na webu nebo prostřednictvím klientského softwaru iVMS-4200.

**2** Vzdálená konfigurace

*Poznámka: Konfiguraci naleznete v uživatelské příručce.*

DS-KV6113-WPE1	ITALIANO
<span></span> Video Intercom Villa Door Station	<span></span> <span></span>

Riferimento schemi

**1** Aspetto

- |                    |                          |                        |
|--------------------|--------------------------|------------------------|
| 1 Microfono        | 2 Telecamera             | 3 Indicatore           |
| 4 Pulsante         | 5 Area di lettura schede | 6 Altoparlante         |
| 7 Terminali        | 8 Porta di debugging     | 9 MANOMISSIONE         |
| 10 Vite di arresto | 11 Slot per scheda TF    | 12 Interfaccia di rete |

Nota: l'aspetto del dispositivo varia in base al modello. Fare riferimento al dispositivo effettivo.

**Descrizione degli indicatori**

Sblocco: Verde    Chiamata: arancione    Comunicazione: bianco

**2** Terminale e cablaggio

Nota: la descrizione del cablaggio fa riferimento al Manuale dell'utente.

**3** Accessori per l'installazione

Nota: Per le dimensioni degli accessori di installazione, consultare il Manuale dell'utente.

**4** Installazione

*Prima di iniziare*

- Verificare il dispositivo contenuto nella confezione sia in buone condizioni e che tutti gli elementi di assemblaggio siano presenti.
- Verificare che durante l'installazione tutte apparecchiature correlate siano spente.
- Controllare che le specifiche del prodotto corrispondano a quelle dell'ambiente di installazione.

Nota: Per l'installazione, fare riferimento alla figura e al Manuale dell'utente.

**5** Configurazione

**1** Attiva dispositivo

Prima di utilizzare il dispositivo è necessario attivarlo impostando una password sicura.

Attivazione remota via Web o tramite il software client iVMS-4200.

**2** Configurazione remota

*Nota: Per la configurazione, consultare il Manuale dell'utente.*

DS-KV6113-WPE1	DANSK
<span></span> Video Intercom Villa Door Station	<span></span> <span></span>

Diagramoversigt

**1** Beskrivelse

- |                      |                          |                 |
|----------------------|--------------------------|-----------------|
| 1 Mikrofon           | 2 Kamera                 | 3 Kontrollampe  |
| 4 Knap               | 5 Område til kortlæsning | 6 Højttaler     |
| 7 Terminaler         | 8 Port til fejfinding    | 9 MANIPULATION  |
| 10 Fastspændingsbolt | 11 TF-kortplads          | 12 Netværksstik |

Bemærk: Enhedens udseende kan variere afhængigt af model. Der henvises til den faktiske enhed.

**Beskrivelse af kontrollampe**

Lås op: Grøn    Opkald: Orange    Kommunikér: Hvid

**2** Terminal og ledningsføring

Bemærk: For beskrivelse af kabelføring henvises til brugervejledningen.

**3** Installationstilbehør

Bemærk: Find målene for installationstilbehør i brugervejledningen.

**4** Installation

*Før du starter*

- Kontrollér, at enheden i pakken er i god tilstand, og at alle dele til samling medfølger.
- Kontrollér, at alt tilknyttet udstyr er slukket under installationen.
- Kontrollér produktspecifikationerne for installationsmiljøet.

*Bemærk: Find oplysninger om installationen i figuren og brugervejledningen.*

**5** Konfiguration

**1** Aktivér enhed

Du skal først aktivere enheden ved at indstille en stærk adgangskode, før du kan anvende enheden.

Aktivér via fjernbetjening på nettet eller via iVMS-4200-klientsoftware.

**2** Fjernbetjent konfiguration

*Bemærk: Find oplysninger om konfiguration i brugervejledningen.*

## DS-KIS605-P

DS-KH6320-LE1	MAGYAR
<span></span> <div>Video Intercom Network Indoor Station</div>	
<span></span>	

Az ábra jelölései

### 1 Külső megjelenés

- |   |                     |   |               |   |                 |
|---|---------------------|---|---------------|---|-----------------|
| 1 | Képernyő            | 2 | Mikrofon      | 3 | Hibakereső port |
| 4 | Hálózati csatlakozó | 5 | Tápcsatlakozó | 6 | Hangszóró       |
| 7 | Riasztás csatlakozó |   |               |   |                 |

Megjegyzés:

- Az eszköz megjelenése a különböző típusok esetén eltérő lehet. Részletes információkkal kapcsolatban keresse meg a tényleges eszközt.
- A hibakereső port kizárólag hibakeresésre szolgál.

### 2 Csatlakozó és vezetékek

Megjegyzés: A csatlakozók és bekötések leírását az ábrán, illetve a felhasználói útmutatóban találja.

### 3 Telepítés

A kezdés előtt

- Győződjön meg arról, hogy a csomagban található eszköz kifogástalan állapotú, és egyetlen szerelési tartozék sem hiányzik.
- Bizonyosodjon meg arról, hogy minden kapcsolódó eszközt áramtalanított a felszerelés ideje alatt.
- A telepítési környezetre vonatkozóan ellenőrizze a termék műszaki adatait.

Megjegyzés: A telepítéssel kapcsolatban lásd az ábrát, illetve a felhasználói útmutatót.

## 4 Kezdeti lépések

### 1 Eszköz aktiválása

Az eszköz használata előtt egy erős jelszó beállításával aktiválnia kell az eszközt.

Aktiválja a készüléket helyben, vagy távolról az iVMS-4200 kliensszoftver segítségével.

### 2 Gyorsbeállítás

Kövesse a megfelelő interfészeken megjelenő utasításokat.

## DS-KH6320-LE1

Video Intercom Network Indoor Station	BAHASA INDONESIA
---------------------------------------	------------------

Referensi Diagram

### 1 Tampilan

- |   |                    |   |               |   |                |
|---|--------------------|---|---------------|---|----------------|
| 1 | Layar              | 2 | Mikrofon      | 3 | Port Debugging |
| 4 | Antarmuka Jaringan | 5 | Terminal Daya | 6 | Pengeras Suara |
| 7 | Terminal Alarm     |   |               |   |                |

Catatan:

- Tampilan perangkat beragam tergantung modelnya. Silakan merujuk ke perangkat yang sebenarnya untuk informasi selengkapnya.
- Port Debugging hanya digunakan untuk debugging.

### 2 Terminal dan Perkebelen

Catatan: Untuk deskripsi terminal dan perkebelen, silakan merujuk ke gambar dan Manual Pengguna.

### 3 Pemasangan

Sebelum Anda Memulai

- Pastikan perangkat dalam kemasan kondisinya bagus dan semua bagian-bagiannya disertakan.
- Pastikan semua peralatan yang terkait dinonaktifkan selama pemasangan.
- Periksa spesifikasi produk terhadap lingkungan pemasangan.

Catatan: Untuk cara pemasangan, silakan merujuk ke gambar dan Manual Pengguna.

### 4 Memulai

#### 1 Aktifkan Perangkat

Pertama Anda harus mengaktifkan perangkat dengan membuat kata sandi yang kuat sebelum perangkat dapat digunakan.

Aktifkan perangkat secara lokal atau jarak jauh dengan perangkat lunak klien iVMS-4200.

#### 2 Konfigurasi Cepat

Ikuti perintah yang muncul pada antarmuka.

## DS-KH6320-LE1

Video Intercom Network Indoor Station	POLSKI
---------------------------------------	--------

Opis diagramu

### 1 Elementy urządzenia

- |   |                   |   |                  |   |                       |
|---|-------------------|---|------------------|---|-----------------------|
| 1 | Ekran             | 2 | Mikrofon         | 3 | Złącze do debugowania |
| 4 | Złącze sieciowe   | 5 | Złącze zasilania | 6 | Głośnik               |
| 7 | Terminal alarmowy |   |                  |   |                       |

Uwaga:

- Wygląd urządzenia jest zależny od modelu. Aby uzyskać więcej informacji, skorzystaj ze specyfikacji danego produktu.
- Złącze do debugowania jest używane tylko do debugowania.

### 2 Złącza i połączenia

Uwaga: Aby uzyskać więcej informacji dotyczących złączy i połączeń, skorzystaj z rysunku w podręczniku użytkownika.

### 3 Instalacja

Zanim rozpoczniez

- Upewnij się, że urządzenie w pakiecie nie jest uszkodzone i dostarczono wszystkie elementy montażowe.
- Upewnij się, że zasilanie powiązanego wyposażenia jest wyłączone podczas instalacji.
- Sprawdź specyfikacje produktu dotyczące warunków otoczenia w miejscu instalacji.

Uwaga: Aby uzyskać informacje dotyczące instalacji, skorzystaj z rysunku w podręczniku użytkownika.

### 4 Pierwsze kroki

#### 1 Aktywuj urządzenie

Przed użyciem urządzenia należy je aktywować, ustawiając silne hasło dla urządzenia.

Aktywuj urządzenie lokalnie lub zdalnie przy użyciu oprogramowania klienckiego iVMS-4200.

#### 2 Szybka konfiguracja

Postępuj zgodnie z monitami w aplikacji.

## DS-KH6320-LE1

Video Intercom Network Indoor Station	မြန်မာ
---------------------------------------	--------

ပုံအညွှန်း:

### 1 ပုံသဏ္ဍာန်

- |   |                     |   |                |   |                                     |
|---|---------------------|---|----------------|---|-------------------------------------|
| 1 | မျက်နှာပြင်         | 2 | ခိုက်ကရိုဗုန်း | 3 | အမှားရှာဖွေဖယ်ရှားခြင်း လိုင်းပေါက် |
| 4 | တွန့်ချက် အင်တာဓ့စ် | 5 | ဖိခါ တာဇီနယ်   | 6 | စပီကာ                               |
| 7 | သတ်ပေး တာဇီနယ်      |   |                |   |                                     |

မှတ်ချက်-

- ကိရိုလာ၏ အပြင် မြင်ကွင်းမှာ မတူညီသော မော်ဒယ်များကိုလိုက်၍ ကွဲပြားမှု ရှိသည်။ အသေးစိတ်အချက်အလက်များအတွက် တကယ်သူ့ရဲ့မည့် ကိရိုလာကို ကိုးကားပါ။
- အမှားပြင်ဆင်ခြင်း ဝင်ထွက်ပေါက်ကို အမှားပြင်ဆင်ခြင်းအတွက်သာ သုံးပါ။

### 2 တာဇီနယ်နှင့် ဝါလာသွယ်တန်းမှု

မှတ်ချက်- တာဇီနယ်နှင့် ဝါလာသွယ်တန်းမှု ဖော်ပြချက်များ အတွက် စွဲပုံနှင့် အသုံးပြုသူလက်စွဲတွင် ဩည့်ချပါ။

### 3 တပ်ဆင်ခြင်း

မစတင်မီ

- အထုပ်သည့် အမြဲအခနဲ ကောင်းသော အနေအထားတွင် ရှိပြီး တပ်ဆင်ရမည့် အစိတ်အပိုင်း အားလုံး ဖိခါင်သည်။
- တပ်ဆင်စဉ်အတွင်း သက်ဆိုင်ရာ ကိရိုလာများအားလုံးကို သေချာစွာ ဖိခါ ပိတ်ထားပါ။
- တပ်ဆင်မှု ပတ်ဝန်းကျင်အတွက် ထုတ်ကုန် သတ်မှတ်ဖော်ပြချက်များကို စစ်ဆေးပါ။

မှတ်ချက်- တပ်ဆင်ခြင်းအတွက် ကိန်းဂဏန်းများနှင့် သုံးစွဲသူ လက်စွဲကို ကိုးကားပါ။

### 4 စတင်ခြင်း

#### 1 ကိရိုလာကို စတင်ပါ

သင်သည် ကိရိုလာကို အသုံးမပြုနိုင်သေးမီ အားကောင်းဆိုင်မှာသော စကားဖုတ်ကို ထည့်သွင်းခြင်းဖြင့် ကိရိုလာကို စတင်အသက်သွင်းရန် လိုအပ်သည်။

iVMS-4200 ကလိုင်းယံင့်ဆော့စ်ဝဲမှတဆင့် ကိရိုလာကို ကိရိုလာတွင် သို့မဟုတ် အဝေးမှ စတင်ပါ။

#### 2 အမြန် ပုံစံချခြင်း

သက်ဆိုင်သည့် အင်တာဓ့ဖုစာမျက်နှာတွင် ပေါ်လာသည့်အရာများအား လိုက်နာပါ။

## DS-KH6320-LE1

Video Intercom Network Indoor Station	ROMÂNĂ
---------------------------------------	--------

Referințe diagramă

### 1 Aspect

- |   |                    |   |                        |   |                              |
|---|--------------------|---|------------------------|---|------------------------------|
| 1 | Ecran              | 2 | Microfon               | 3 | Port de corectare a erorilor |
| 4 | Interfață de rețea | 5 | Terminal de alimentare | 6 | Difuzor                      |
| 7 | Terminal alarmă    |   |                        |   |                              |

Notă:

- Aspectul dispozitivului diferă în funcție de model. Pentru infomații detaliate, consultați dispozitivul propriu-zis.
- Portul de depanare se utilizează numai pentru depanare.

### 2 Terminal și cablare

Notă: Pentru descrierile terminalului și a cablării, consultați figura și Manual de utilizare.

### 3 Instalarea

Înainte sa incepeți

- Asigurați-vă că dispozitivul din pachet este în stare bun   și că toate piesele pentru asamblare sunt incluse.
- Asigurați-vă că toate echipamentele aferente sunt oprite în timpul instalării.
- Verificați specificațiile produsului pentru mediul de instalare.

Notă: Pentru instalare, consultați figura și manualul de utilizare.

### 4 Primii pași

#### 1 Activarea dispozitivului

Pentru a putea utiliza dispozitivul, trebuie mai întâi să activați dispozitivul setând o parolă puternică.

Activați dispozitivul prin comenzi locale sau de la distanță prin intermediul software-ului client iVMS-4200.

#### 2 Configurare rapidă

Urmați indicațiile de pe interfețele corespunzătoare.

## DS-KH6320-LE1

Video Intercom Network Indoor Station	TÜRKÇE
---------------------------------------	--------

Şema Referansları

### 1 Görünüm

- |   |                 |   |               |   |                     |
|---|-----------------|---|---------------|---|---------------------|
| 1 | Ekran           | 2 | Mikrofon      | 3 | Hata Ayıklama Portu |
| 4 | Ağ Arayüzü      | 5 | Güç Terminali | 6 | Hoparlör            |
| 7 | Alarm Terminali |   |               |   |                     |

Not:

- Cihazın görünümü farklı modellere göre değişir. Ayrıntılı bilgi için gerçek cihaza bakın.
- Hata Ayıklama Bağlantı Noktası sadece hata ayıklama için kullanılır.

### 2 Terminal ve Kablolama

Not: Terminal ve kablo bağlantısı açılımları için şekle ve Kullanım Kılavuzuna bakın.

### 3 Kurulum

Başlamadan Önce

- Paketteki cihazın iyi durumda olduğundan ve tüm montaj parçalarının bulunduğundan emin olun.
- Kurulum esnasında ilgili tüm ekipmanların kapalı olduğundan emin olun.
- Kurulum ortamı için ürün teknik özelliikerini kontrol edin.

Not: Kurulum için şekle ve Kullanım Kılavuzuna bakın.

### 4 Başlarken

#### 1 Cihazı Etkinleştir

Cihazı kullanabilmeniz için önce güçlü bir parola ayarlayarak cihazı etkinleştirmeniz gerekir. iVMS-4200 istemci yazılımını kullanarak cihazı yerel veya uzak olarak etkinleştiririn.

#### 2 Hızlı Yapılandırma

İlgili arayüzlerdeki talimatlara uyun.

## DS-KH6320-LE1

Video Intercom Network Indoor Station	SLOVENČINA
---------------------------------------	------------

Referenčné schémy

### 1 Vzhľad

- |   |                   |   |                    |   |              |
|---|-------------------|---|--------------------|---|--------------|
| 1 | Obrazovka         | 2 | Mikrofón           | 3 | Ladiaci port |
| 4 | Sieťové rozhranie | 5 | Terminál napájania | 6 | Reproduktor  |
| 7 | Terminál alarmu   |   |                    |   |              |

Poznámka:

- Vzhľad zariadenia sa líši v závislosti od modelu. Špecifický opis je iný pre každé zariadenie.
- Port ladenia sa používa iba na ladenie.

### 2 Terminál a kabeláž

Poznámka: Popisy svorkovnice a zapojenia vodičov nájdete na obrázku a v používateľskej príručke.

### 3 Montáž

Pred spustením

- Uistite sa, že zariadenie v balení je v dobrom stave a všetky montážne časti sú súčasťou balenia.
- Počas inštalácie sa uistite, že sú všetky súvisiace zariadenia vypnuté.
- Naštudujte si špecifikáciu výrobu a vhodné prostredie inštalácie.

Poznámka: Informácie o správnej inštalácii nájdete na obrázku a v používateľskej príručke.

### 4 Začíname

#### 1 Aktivácia zariadenia

Pred použitím zariadenia ho musíte najskôr aktívovať nastavením silného hesla.

Zariadenie môžete aktívovať lokálne alebo na diaľku prostredníctvom klientskeho softvéru iVMS-4200.

#### 2 Rýchla konfigurácia

Postupujte podľa výziev v príslušných rozhraniach.

## DS-KH6320-LE1

Video Intercom Network Indoor Station	РУССКИЙ
---------------------------------------	---------

Пояснения к рисункам

### 1 Внешний вид

- |   |                     |   |                 |   |                   |
|---|---------------------|---|-----------------|---|-------------------|
| 1 | Экран               | 2 | Микрофон        | 3 | Порт наладжонения |
| 4 | Мережевий інтерфейс | 5 | Роз’єм живлення | 6 | динамік           |
| 7 | Роз’єм тривоги      |   |                 |   |                   |

Примітка.

- Зовнішній вигляд пристрою залежить від моделі. Щоб дізнатися більше, див. фактичний пристрій.
- Порт налагодження використовується лише для налагодження.

### 2 Роз’єм і проводка

Примітка. Інформацію про роз’єм і проводку дивіться на рисунку та в посібнику користувача.

### 3 Установлення

Перш ніж почати

- Переконайтесь, що упаковка містить пристрій у належному стані та всі деталі з комплекту.
- Забезпечте, щоб усе пов’язане обладнання було вимкнене протягом встановлення.
- Перевірте вимоги до умов встановлення обладнання.

Примітка. Інформацію про встановлення дивіться на рисунку та в посібнику користувача.

### 4 Початок роботи

#### 1 Активация пристрою

Перш ніж користуватися пристроєм, його необхідно активувати, встановивши надійний пароль.

Активуйте пристрій локально або дистанційно за допомогою клієнтського програмного забезпечення iVMS-4200.

#### 2 Швидке налаштування

Дотримуйтесь вказівок у відповідних інтерфейсах.

DS-KV6113-WPE1	MAGYAR
Video Intercom Villa Door Station	

Az ábra jelölései

### 1 Külső megjelenés

- |                |                          |                       |
|----------------|--------------------------|-----------------------|
| ① Mikrofon     | ② Kamera                 | ③ Jelző               |
| ④ Gomb         | ⑤ Kártyaolvasó terület   | ⑥ Hangszóró           |
| ⑦ Csatlakozók  | ⑧ Híbakereső port        | ⑨ SZABOTÁZSKAPCSOLÓ   |
| ⑩ Állítócsavar | ⑪ TF- (SD-) kártyanyílás | ⑫ Hálózati csatlakozó |

Megjegyzés: Az eszköz megjelenése a különböző modellektől függően változik. Lásd az aktuális eszközt.

#### Jelzés leírása

Nyitás: Zöld
Hívás: Narancs
Kommunikáció: Fehér

### 2 Csatlakozó és vezetékek

Megjegyzés: A huzalozás leírása a használati útmutatóban leírtakra hivatkozik.

### 3 Szerelési eszköz

Megjegyzés: A szerelési eszközök méretét a felhasználói útmutatóban találja.

### 4 Telepítés

*A kezdés előtt*

- Győződjön meg arról, hogy a csomagban található eszköz kifogástalan állapotú, és egyetlen szerelési tartozék sem hiányzik.
- Bizonyosodjon meg arról, hogy minden kapcsolódó eszköz áramtalanított a felszerelés ideje alatt.
- A telepítési környezetre vonatkozóan ellenőrizze a termék műszaki adatait.

Megjegyzés: A telepítéssel kapcsolatban lásd az ábrát, illetve a felhasználói útmutatót.

### 5 Konfigurálás

#### 1 Eszköz aktiválás

Az eszköz használata előtt egy erős jelszó beállításával aktiválnia kell az eszközt.

Távoli aktiválás a weben vagy iVMS-4200 kliensszoftveren keresztül.

#### 2 Távoli konfigurálás

Megjegyzés: A konfigurálással kapcsolatos tudnivalókat a felhasználói útmutatóban találja.

DS-KV6113-WPE1	POLSKI
Video Intercom Villa Door Station	

Opis diagramu

### 1 Elementy urzędzenia

- |                    |                         |                                 |
|--------------------|-------------------------|---------------------------------|
| ① Mikrofon         | ② Kamera                | ③ Wskaźnik                      |
| ④ Przycisk         | ⑤ Czytnik kart          | ⑥ Głośnik                       |
| ⑦ Złącze           | ⑧ Złącze do debugowania | ⑨ Zabezpieczenie antysabotażowe |
| ⑩ Śruba ustalająca | ⑪ Gniazdo karty TF      | ⑫ Złącze sieciowe               |

Uwaga: Wygląd urządzenia jest zależny od modelu. Skorzystaj ze specyfikacji danego urządzenia.

#### Opis wskaźników

Odblokowanie: zielony
Połączenie: pomarańczowy
Komunikacja: biały

### 2 Złącza i połączenia

Uwaga: Opis połączeń jest dostępny w podręczniku użytkownika.

### 3 Akcesoria instalacyjne

Uwaga: Aby uzyskać informacje dotyczące wymiarów akcesoriów instalacyjnych, skorzystaj z podręcznika użytkownika.

### 4 Instalacja

*Zanim rozpoczniesz*

- Upewnij się, że urządzenie w pakiecie nie jest uszkodzone i dostarczono wszystkie elementy montażowe.
- Upewnij się, że zasilanie powiązanego wyposażenia jest wyłączone podczas instalacji.
- Sprawdź specyfikację produktu dotyczące warunków otoczenia w miejscu instalacji.

Uwaga: Aby uzyskać informacje dotyczące instalacji, skorzystaj z rysunku w podręczniku użytkownika.

### 5 Konfiguracja

#### 1 Aktywuj urządzenie

Przed użyciem urządzenia należy je aktywować, ustawiając silne hasło dla urządzenia.

Aktywuj urządzenie zdalnie przy użyciu przeglądarki internetowej lub oprogramowania klienckiego iVMS-4200.

#### 2 Konfiguracja zdalna

Uwaga: Aby uzyskać informacje dotyczące konfiguracji, skorzystaj z podręcznika użytkownika.

DS-KV6113-WPE1	ROMÂNĂ
Video Intercom Villa Door Station	

Referințe diagramă

### 1 Aspect

- |                   |                                |                      |
|-------------------|--------------------------------|----------------------|
| ① Microfon        | ② Cameră                       | ③ Indicator          |
| ④ Buton           | ⑤ Zonă citire card             | ⑥ Difuzor            |
| ⑦ Terminale       | ⑧ Port de corectare a erorilor | ⑨ FURT               |
| ⑩ Șurub de fixare | ⑪ Slot Card TF                 | ⑫ Interfață de rețea |

Notă: Aspectul dispozitivului variază în funcție de diferite modele. Se referă la dispozitivul actual.

#### Descriere indicator

Deblocare: Verde
Apelare: Portocaliu
Comunicare: Alb

### 2 Terminal și cablare

Notă: Descrierea cablării face referire la manualul de utilizare.

### 3 Accesoriu pentru instalare

Notă: Pentru dimensiunile accesoriilor de instalare, vă rugăm să consultați manualul de utilizare.

### 4 Instalarea

*Înainte sa începeți*

- Asigurați-vă că dispozitivul din pachet este în stare bună și că toate piesele pentru asamblare sunt incluse.
- Asigurați-vă că toate echipamentele aferente sunt oprite în timpul instalării.
- Verificați specificațiile produsului pentru mediul de instalare.

Notă: Pentru instalare, consultați figura și manualul de utilizare.

### 5 Configurare

#### 1 Activarea dispozitivului

Pentru a putea utiliza dispozitivul, trebuie mai întâi să activați dispozitivul setând o parolă puternică.

Activați de la distanță prin web sau software-ul client iVMS-4200.

#### 2 Configurare la distanță

Notă: Pentru configurare, consultați manualul de utilizare.

DS-KV6113-WPE1	SLOVENČINA
Video Intercom Villa Door Station	

Referenčné schémy

### 1 Vzhľad

- |                        |                         |                      |
|------------------------|-------------------------|----------------------|
| ① Mikrofón             | ② Kamera                | ③ Indikátor          |
| ④ Tlačidlo             | ⑤ Miesto čítania kariet | ⑥ Reproduktor        |
| ⑦ Svoroky              | ⑧ Ladiaci port          | ⑨ SNÍMAČ MANIPULÁCIE |
| ⑩ Nastavovacia skrutka | ⑪ Zásuvka na kartu TF   | ⑫ Sietové rozhranie  |

#### Popis kontrolky

Otvorenie: Zelená
Hovor: Oranžová
Kommunikácia: Biela

### 2 Terminál a kabeláž

Poznámka: Popis kabeláže nájdete v používateľskej príručke.

### 3 Inštaláčne príslušenstvo

Poznámka: Rozmery inštaláčného príslušenstva nájdete v používateľskej príručke.

### 4 Montáž

*Pred spustením*

- Uistite sa, že zariadenie v balení je v dobrom stave a všetky montážne časti sú súčasťou balenia.
- Počas inštalácie sa uistite, že sú všetky súvisiace zariadenia vypnuté.
- Naštudujte si špecifikáciu výrobu a vhodné prostredie inštalácie.

Poznámka: Informácie o správnej inštalácii nájdete na obrázku a v používateľskej príručke.

### 5 Konfigurácia

#### 1 Aktivácia zariadenia

Pred použitím zariadenia ho musíte najskôr aktívovať nastavením silného hesla.

Zariadenie aktivujte na diaľku prostredníctvom webu alebo klientskeho softvéru iVMS-4200.

#### 2 Konfigurácia na diaľku

Poznámka: Informácie o konfigurácii nájdete v používateľskej príručke.

DS-KV6113-WPE1	BAHASA INDONESIA
Video Intercom Villa Door Station	

Referensi Diagram

### 1 Tampilan

- |                  |                   |                      |
|------------------|-------------------|----------------------|
| ① Mikrofon       | ② Kamera          | ③ Indikator          |
| ④ Tombol         | ⑤ Area Baca Kartu | ⑥ Pengeras Suara     |
| ⑦ Terminal       | ⑧ Port Debugging  | ⑨ PERUSAKAN          |
| ⑩ Sekrup Setelan | ⑪ Slot Kartu TF   | ⑫ Antarmuka Jaringan |

Catatan: Tampilan perangkat beragam tergantung model. Silakan merujuk ke perangkat yang sebenarnya.

#### Deskripsi Indikator

Buka: Hijau
Panggilan: Oranye
Komunikasi: Putih

### 2 Terminal dan Perkelasan

Catatan: Untuk deskripsi perkabelan, silakan merujuk ke Manual Pengguna.

### 3 Aksesori Pemasangan

Catatan: Untuk dimensi aksesoris pemasangan, silakan merujuk ke Manual Pengguna.

### 4 Pemasangan

*Sebelum Anda Memulai*

- Pastikan perangkat dalam kemasan kondisinya bagus dan semua bagian-bagiannya disertakan.
- Pastikan semua peralatan yang terkait dinonaktifkan selama pemasangan.
- Periksa spesifikasi produk terhadap lingkungan pemasangan.

Catatan: Untuk cara pemasangan, silakan merujuk ke gambar dan Manual Pengguna.

### 5 Konfigurasi

#### 1 Aktifkan Perangkat

Pertama Anda harus mengaktifkan perangkat dengan membuat kata sandi yang kuat sebelum perangkat dapat digunakan.

Aktifkan dari jarak jauh melalui web atau perangkat lunak klien iVMS-4200.

#### 2 Konfigurasi Jarak Jauh

Catatan: Untuk konfigurasi, silakan merujuk ke Manual Pengguna.

DS-KV6113-WPE1	မြန်မာ
Video Intercom Villa Door Station	

ပုံအညွှန်း

### 1 ပုံသဏ္ဍာန်

- |                  |                                      |                         |
|------------------|--------------------------------------|-------------------------|
| ① မိုက်ကရိုဖုန်း | ② ကင်မရာ                             | ③ အချက်ပြခြီး           |
| ④ လျှတ်          | ⑤ တစ်ဖက်သည့် ဧရိယာ                   | ⑥ ဧဝီကာ                 |
| ⑦ တာဝီနယ်များ    | ⑧ အမှားရှာဖွေဖယ်ရှားခြင်း လိုင်ပေါက် | ⑨ ပြောင်းလဲမှု အကာအကွယ် |
| ⑩ ဆက်တင် ဝက်ဒူ   | ⑪ TF ကတ်ပေါက်                        | ⑫ ကွန်ရက် အင်တာဖေစ်     |

မှတ်ချက်- ကိရိယာအသွင်အပြင်သည် ဖော်အယ်အမျိုးအစားပေါ် မူတည်ပြီးကွဲပြားသည်။ ဟာတိကိရိယာကို ကြည့်ရမူ။

### အညွှန်းဖော်ပြချက်

သော့ဖွင့်ရန် - အစိမ်းရောင်
ခေါ်ဆိုရန် - လိမ္မော်ရောင်
ဆက်သွယ်ရန် - အဖြူရောင်

### 2 တာဝီနယ်နှင့် ဝါယာသွယ်တန်းမှု

မှတ်ချက်- ဖော်ပြချက်များအတွက် အသုံးပြုသူလမ်းညွှန်ကို ဖတ်ရမူ။

### 3 အပိုပစ္စည်း တပ်ဆင်ခြင်း

မှတ်ချက်- အပိုပစ္စည်း တပ်ဆင်ခြင်း အတိုင်းအတာအတွက် ကျေးဇူးပြု၍ သုံးခွဲသူ လက်စွဲကို ကိုးကားပါ။

### 4 တပ်ဆင်ခြင်း

မဝတင်မီ

- အထုပ်သည် အခြေအနေ ကောင်းသော အနေအထားတွင် ရှိပြီး တပ်ဆင်ရမည့် အစိတ်အပိုင်း အားလုံး ဖြစ်သည်။
- တပ်ဆင်စဉ်အတွင်း သက်ဆိုင်ရာ ကိရိယာများအားလုံးကို သေချာစွာ ပါဝါ ပိတ်ထားပါ။
- တပ်ဆင်မှု ပတ်ဝန်းကျင်အတွက် ထုတ်ကုန် သတ်မှတ်ဖော်ပြချက်များကို ဖစ်ဆေးပါ။

မှတ်ချက်- တပ်ဆင်ခြင်းအတွက် ကိန်းဂဏန်းများနှင့် သုံးခွဲသူ လက်စွဲကို ကိုးကားပါ။

### 5 ပုံစံချခြင်း

#### 1 ကိရိယာကို စတင်ပါ

သင်သည် ကိရိယာကို အသုံးပြုနိုင်သောစီ အားကောင်းနိုင်မာသော စကာဖုက်ကို ထည့်သွင်းခြင်းဖြင့် ကိရိယာကို စတင်အသက်သွင်းရန် လိုအပ်သည်။

ဝက်ဘ်ဆိုစ်မှ သို့မဟုတ် iVMS-4200 သုံးခွဲသူ ဧော့စ်ပံမှ တဆင့် အသက်သွင်းစတင်ပါ။

### 2 အပေးထိန်း ကိန်းဂဏန်းများ

မှတ်ချက်- ကိန်းဂဏန်းများအတွက် ကျေးဇူးပြု၍ သုံးခွဲသူ လက်စွဲကို ကိုးကားပါ။

Пояснения к рисункам

### 1 Внешний вид

- |                     |                             |                     |
|---------------------|-----------------------------|---------------------|
| ① Микрофон          | ② Камера                    | ③ Индикатор         |
| ④ Кнопка            | ⑤ Область считывателя карты | ⑥ Динамик           |
| ⑦ Разъемы           | ⑧ Порт отладки              | ⑨ ВЗЛОМ             |
| ⑩ Установочный винт | ⑪ Слот для карты TF         | ⑫ сетевой интерфейс |

Примечание. Внешний вид устройства может отличаться в зависимости от модели. См. фактическое устройство.

#### Описание индикатора

Открытие: зеленый
Вызов: оранжевый
Связь: белый

### 2 Терминал и схема соединения

Примечание. Описание электрических подключений см. в руководстве пользователя.

### 3 Вспомогательные инструменты для установки

Примечание. Размеры вспомогательных инструментов для установки см. в руководстве пользователя.

### Установка

*Перед началом работы*

- Убедитесь, что устройство в упаковке находится в исправном состоянии, и все составляющие комплекта поставки имеются в наличии.
- Убедитесь, что во время установки все сопутствующее оборудование отключено.
- Изучите технические требования к установке устройства.

Примечание. Для получения информации об установке см. рисунки и руководство пользователя.

### 5 Конфигурация

#### 1 Активировать устройство

Перед использованием устройства необходимо сначала его активировать и установить надежный пароль.

Активируйте удаленно через сеть Интернет или с помощью клиентского программного обеспечения iVMS-4200.

#### 2 Удаленная настройка

Примечание. Сведения о настройке см. в руководстве пользователя.

## DS-KIS605-P

Video Intercom Network Bundle

## DS-KH6320-LE1

Video Intercom Network Indoor Station

### УКРАЇНСЬКА

**Пояснення схем**

#### 1 Внешний вид

- 1** Экран
- 2** Микрофон
- 3** Порт отладки
- 4** сетевой интерфейс
- 5** Клеммы питания
- 6** Динамик
- 7** Разъем сигнала тревоги

Примечание.

- Внешний вид устройства может отличаться в зависимости от модели.
- Подробные сведения см. в документации для конкретного устройства.
- Порт отладки используется только для отладки.

#### 2 Терминал и схема соединения

Примечание. Описание разъемов и разводки приведено на рисунке и в руководстве пользователя.

#### 3 Установка

*Перед началом работы*

- Убедитесь, что устройство в упаковке находится в исправном состоянии, и все составляющие комплекта поставки имеются в наличии.
- Убедитесь, что во время установки все сопутствующее оборудование отключено.
- Изучите технические требования к установке устройства.

Примечание. Для получения информации об установке см. рисунки и руководство пользователя.

#### 4 Начало работы

##### 1 Активировать устройство

Перед использованием устройства необходимо сначала его активировать и установить надежный пароль.

Активируйте устройство локально или удаленно с помощью клиентского программногo обеспечения iVMS-4200.

##### 2 Быстрая настройка

Выполните инструкции в соответствующих интерфейсах.

## DS-KV6113-WPE1

Video Intercom Villa Door Station

### УКРАЇНСЬКА

**Пояснення схем**

#### 1 Зовнішній вигляд

- 1** Мікрофон
- 2** камера
- 3** Індикатор
- 4** Кнопка
- 5** Область зчитування карток
- 6** динамік
- 7** Роз’єми
- 8** Порт налагодження
- 9** ВТРУЧАННЯ
- 10** Установчий гвинт
- 11** Гніздо для TF-картки
- 12** Мережевий інтерфейс

Примітка. Зовнішній вигляд пристрою залежить від моделі. Див. фактичний пристрій.

**Опис індикаторів**

Розблокування: зелений
Виклик: оранжевий
Розмова: білий

#### 2 Роз’єм і проводка

Примітка. Інформацію про підключення проводки дивіться в посібнику користувача.

#### 3 Приладдя для встановлення

Примітка. Розміри приладдя для встановлення дивіться в посібнику користувача.

#### 4 Установлення

*Перш ніж почати*

- Переконайтесь, що упаковка містить пристрій у належному стані та всі деталі з комплекту.
- Забезпечте, щоб усе пов’язане обладнання було вимкнене протягом встановлення.
- Перевірте вимоги до умов встановлення обладнання.

Примітка. Інформацію про встановлення дивіться на рисунку та в посібнику користувача.

#### 5 Налаштування

##### 1 Активація пристрою

Перш ніж користуватися пристроєм, його необхідно активувати, встановивши надійний пароль.

Активуйте дистанційно через Інтернет або за допомогою клієнтського програмного забезпечення iVMS-4200.

##### 2 Віддалене налаштування

Примітка. Інформацію про налаштування дивіться в посібнику користувача.

