

Diagram References

- 1 Appearance**
- ① Screen
 - ② Microphone
 - ③ microSD Card Slot
 - ④ Four-Wire Terminals
 - ⑤ Network Interface
 - ⑥ 12 VDC Power Interface
 - ⑦ Alarm Input/Relay Output/Serial Port (For Debugging Use Only)
 - ⑧ Rs-485 Interface
- Note: The appearance of the device varies according to different models. Refers to the actual device for detailed information.

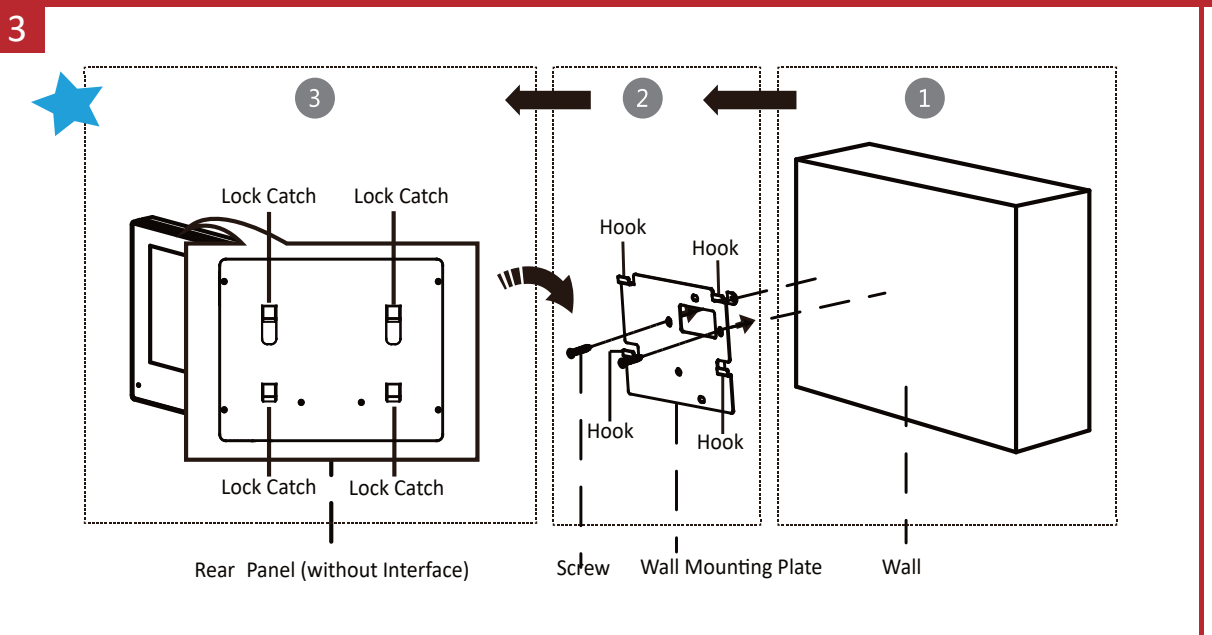
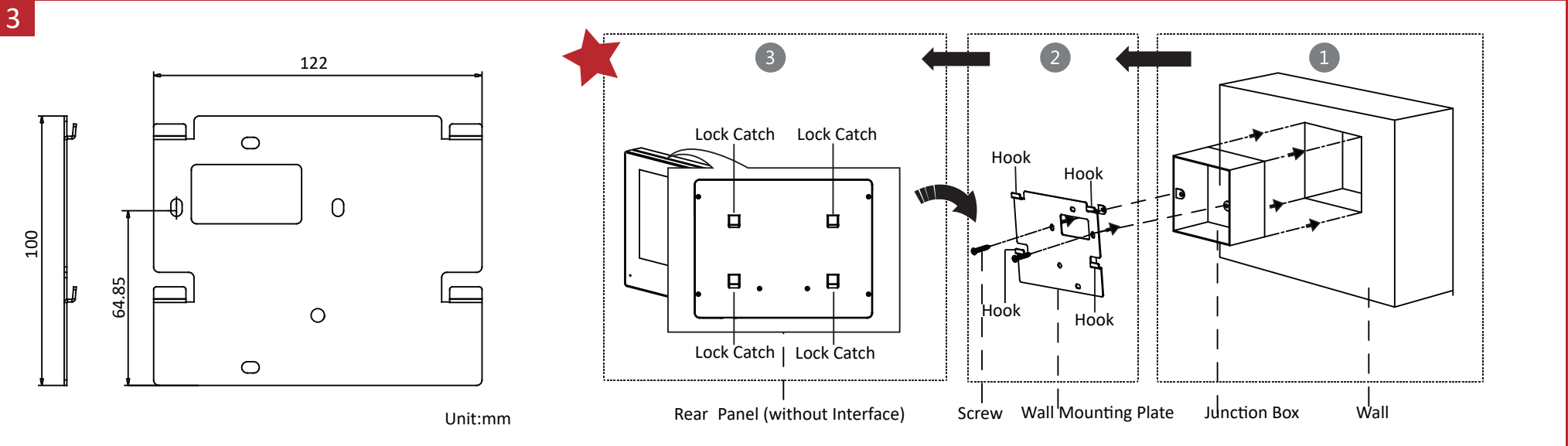
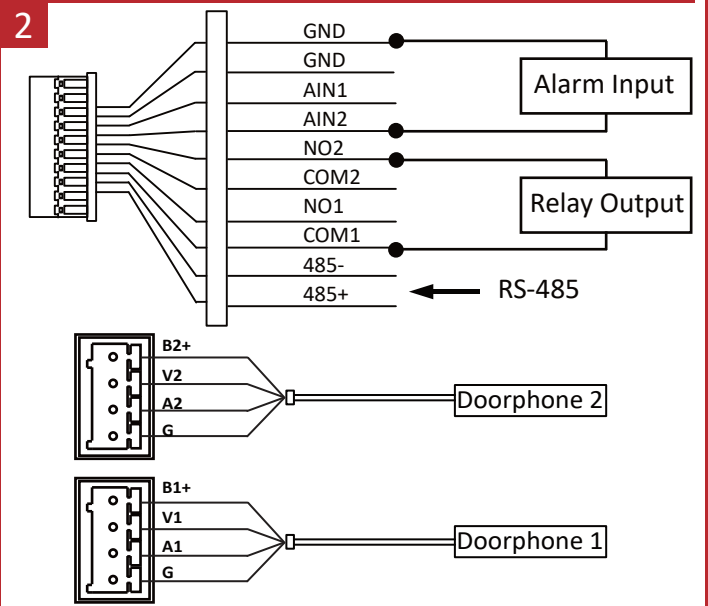
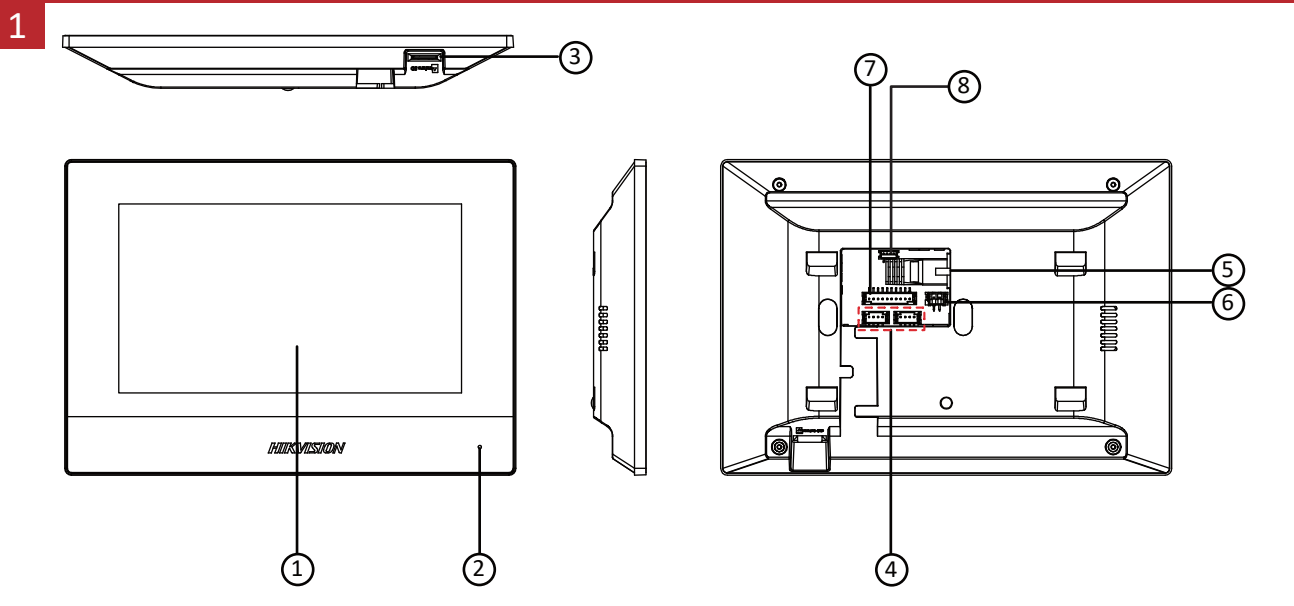
- 2 Terminal and Wiring**
- There are 10 pins in the terminal on the rear panel of the indoor station: 2 GND pin, 2 alarm input pins, 4 relay output pins and 2 RS-485 pins.
- The are 2 Four-wire terminals on the rear panel of the indoor station to connect doorphones.

- 3 Installation**
- It supports wall mounting. There are two installation modes.
- Installation Accessory Description**
- The wall mounting plate and junction box are required to install the indoor station onto the wall.
- The dimension of junction box should be 75 mm (width) × 75 mm (length) × 50 mm (depth). The dimension of wall mounting plate is shown.
- Before You Start**
- Make sure the device in the package is in good condition and all the assembly parts are included.
 - The power supply the indoor station supports is 12 VDC. Please make sure your power supply matches your indoor station.
 - Make sure all related equipments are power-off during the installation.
 - Check the product specification for the installation environment.

- ★ Wall Mounting with junction Box**
1. Chisel a hole in the wall. The size of the hole should be 76 mm (width) × 76 mm (length) × 50 mm (depth).
 2. Insert the junction box to the hole chiseled on the wall.
 3. Fix the wall mounting plate to the junction box with 2 screws.
 4. Hook the indoor station to the wall mounting plate tightly by inserting the plate hooks into the slots on the rear panel of the indoor station, during which the lock catch will be locked automatically.
- ★ Wall Mounting without junction Box**
1. Insert 2 expansion tubes into the wall.
 2. Fix the wall mounting plate to the junction box with 2 screws.
 3. Hook the indoor station to the wall mounting plate tightly by inserting the plate hooks into the slots on the rear panel of the indoor station, during which the lock catch will be locked automatically.

- 4 Getting Started**
- **Activate Indoor Station**
You are required to activate the device first by setting a strong password before you can use the device.
 1. Power on the device via 12 VDC power supply or standard PoE. It will enter the activation page automatically.
 2. Create a password and confirm it.
 3. Tap OK to activate the indoor station.
 - **Connect to Analog Doorphone**
Up to 2 analog doorphones can be connected to the indoor station with four-wire cables. Multiple functions, live view and remote door unlocking for example, can be realized via operations on the indoor station or Hik-Connect App.
 - **Connect to Main Door Station**
 1. Tap **Settings** → **Configuration**, and enter admin (activation) password.
 2. Tap **Device** to enter the device management page.
 3. Tap **Main Door Station** to pop up the device information dialog.
 4. Tap the target main door station to link.

- **Quick Configuration**
For the first-time use of the indoor station, you will need to finish a quick configuration following the wizard.
 1. Choose **Language** and tap Next.
 2. Set password reset method and tap Next.
 - Enter the Reserved Email address, and then you can reset the password by email.
 - Note: On the security questions setting page, you can tap **Change to Reserved Email** to modify the password reset method.
 - Tap **Change to Security Question**. Select 3 security questions from Deficiency List and enter the answers of the questions, then you can reset the password by answering security questions.
 3. Set **Network** parameters and tap Next.
 - Edit Local IP, Subnet Mask and Gateway parameters.
 - Enable **Auto Get IP Address**, and the device will get network parameters automatically.
 4. Configure the **Indoor Station** and tap Next.
 - a. Select Device Type and edit Floor and Room No.
 - b. Tap **Advanced** to set Community No., Building No. and Unit No.
 - c. Set the Registration Password.
 5. Enable **Wi-Fi** function and tap Next.
 - Select a Wi-Fi and enter the password to link.
 6. Set **Time** parameters and tap Next.
 7. Slide to enable the **Mobile Client Service**. Tap Next.
 8. Link related devices and tap Next.
 - If the device and the indoor station are in the same LAN, the device will be displayed in the list. Tap the device or enter the serial No. to link.
 - 9. (Optional): Enable **Indoor station** and link related indoor extension devices. Tap Finish.
 - If the indoor extension and the indoor station are in the same LAN, the device will be displayed in the list. Tap the device or enter the serial No. to link.
 - 10. Tap **Finish** to save the settings.



Scan the QR code to get the Configuration Guide for detailed information.



Scan the QR code to get the Operation Guide for detailed information.



Diagram References

1 Appearance

- ① Microphone ② Built-in Camera ③ IR Supplement Light ④ Photoresistor
- ⑤ Call Button ⑥ Loud speaker ⑦ Four-Wire Interface ⑧ Lock Interface

2 Terminal and Wiring

- Four-Wire Interface**
 G: Grounding Signal
 A: Audio Input/Output
 V: Video Output
 B+: Power Supply (from Indoor Station)
- Lock Interface**
 NC: Door Lock Relay Output/Normally Closed
 COM: Door Lock Relay Output/Common
 NO: Door Lock Relay Output/Normally Open

You can connect the door station to indoor station via the four-wire interface.

3 Installation

★ Wall Mounting Shield

Note: To install the door station, the wall mounting shield is required.

Steps:

1. Fix the wall mounting shield to the wall with 3 screws.
2. Hook the door station to the shield tightly by inserting the hooks of shield panel into the slots on the rear panel of the door station.
3. Secure the door station with the mounting shield with the set screw.

4 Local Operation

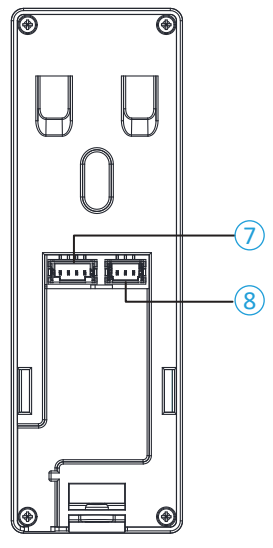
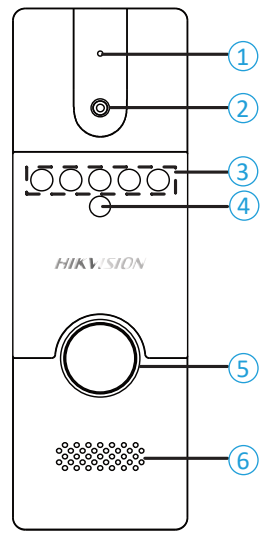
Press the call button to call the resident.

Note: When press the call button to call the resident, the maximum ring duration of the indoor station is 30s.

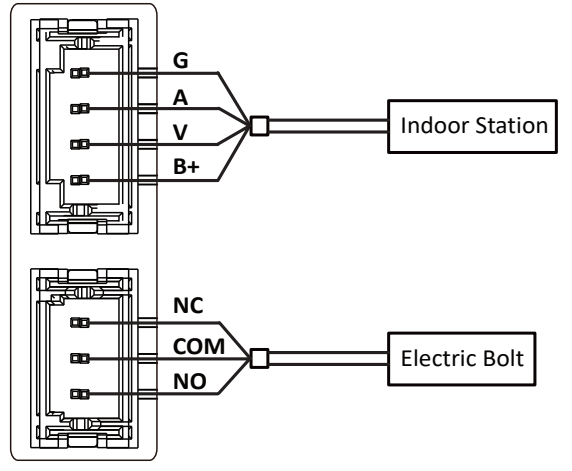
5 Typical Application

Up to 2 analog doorphones can be connected to the indoor station with four-wire cables. Multiple functions, live view and remote door unlocking for example, can be realized via operations on the indoor station or Hik-Connect App.

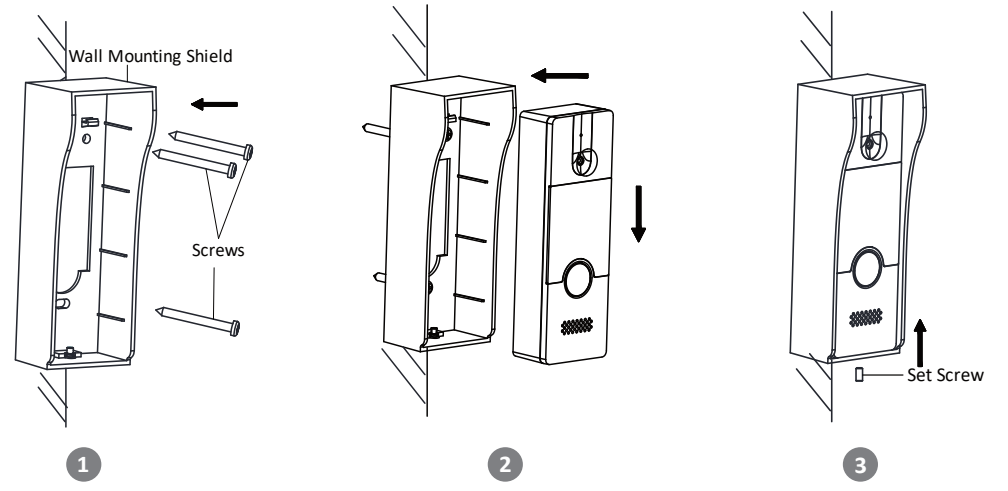
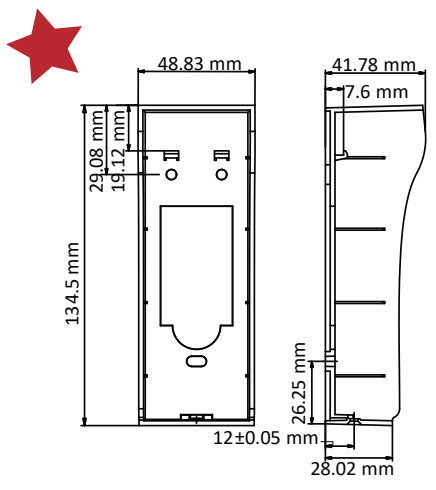
1



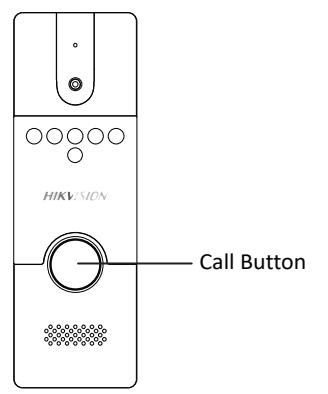
2



3



4



Scan the QR code to view the user manual for detailed information of the kit.



5

