

ENGLISH

Diagram References

1 Appearance

- ① Screen
- ② Microphone
- ③ Network Interface
- ④ RS-485 (Reserved) & Alarm Output Terminal
- ⑤ Alarm Input Terminal
- ⑥ TF Card Slot
- ⑦ Debugging Port
- ⑧ Loudspeaker
- ⑨ Power Supply Terminal

Note:
 • The appearance of the device varies according to different models. Refers to the actual device for detailed information.
 • The debugging port is used for debugging only.

2 Terminal and Wiring

AIN1 to AIN8 : Alarm Input pins. GND : Grounding Interface
 You should connect alarm input device to the indoor station by connecting any terminals of AIN1 to AIN8 and GND.

Note: The power supply must conform to LPS. The recommended adaptor models and manufacturers are shown as below. Use the attached adaptor, and do not change the adaptor randomly.

Model	Current	Manufacturer	Standard
ADS-26FSG-12 12024EPG	2A	SHENZHEN HONOR ELECTRONIC CO.,LTD	CEE
ADS-26FSG-12 12024EPCU/EPC	2A	SHENZHEN HONOR ELECTRONIC CO.,LTD	NEMA
ADS-26FSG-12 12024EPB	2A	SHENZHEN HONOR ELECTRONIC CO.,LTD	BS
MSA-C2000IC12 0-24P-BR	2A	Moso Power Supply Technology Co., Ltd.	NBR
MSA-C2000IC12 0-24P-AU	2A	Moso Power Supply Technology Co., Ltd.	AS
ADS-26FSG-12 12024EPI-01	2A	SHENZHEN HONOR ELECTRONIC CO.,LTD	IS

3 Installation

★ Installation Accessory Description

The wall mounting plate and gang box are required to install the indoor station onto the wall.

There are 2 size of the gang boxes adapted to the device.
 Size 1: 75 mm (width) × 75 mm (length) × 50 mm (depth).
 Size 2: 55 mm (width) × 101 mm (length) × 38.5 mm (depth).
 The dimension of mounting plate is 97 mm (width) × 104 mm (length) × 3 mm (depth).

Before You Start

- Make sure the device in the package is in good condition and all the assembly parts are included.
- The power supply the indoor station supports is 12 VDC. Or the standard PoE is supported. Please make sure your power supply matches your indoor station.
- Make sure all related equipments are power-off during the installation.
- Check the product specification for the installation environment.

★ Wall Mounting with Gang Box (Type I)

1. Cave a hole in the wall.
- Note: The suggested dimension of the installation hole should be larger than the gang box.
2. Insert a gang box (Type I) to the hole chiseled on the wall.
3. Fix the wall mounting plate to the gang box with 2 screws.
- Note: If you install the device with a gang box (75 mm(width) × 75 mm(length) × 46 mm(depth)), the left and right holes will be applied.
4. Hook the indoor station to the wall mounting plate tightly by inserting the plate hooks into the slots on the rear panel of the indoor station, during which the lock catch will be locked automatically.

★ Wall Mounting with Gang Box (Type II)

1. Cave a hole in the wall.
- Note: The suggested dimension of the installation hole should be larger than the gang box.
2. Insert a gang box (Type II) to the hole chiseled on the wall.
- Note: If you use the gang box (55 mm(width) × 101 mm(length) × 48.5 mm(depth)), you can install the gang box Vertical or Horizontal.
3. Fix the wall mounting plate to the gang box with 2 screws.
- Note:
 • If you install the device with the gang box horizontal, the left and right holes will be applied.
 • If you install the device with the gang box vertical, the upper and lower holes will be applied.
4. Hook the indoor station to the wall mounting plate tightly by inserting the plate hooks into the slots on the rear panel of the indoor station, during which the lock catch will be locked automatically.

★ Table Mounting with Table Bracket

1. Put the table bracket on the desk.
2. Route the cable through the cable hole to connect the indoor station.
3. Hook the indoor station to the table bracket tightly by inserting the table bracket hooks into the slot on the rear panel of the indoor station, during which the lock catch will be locked automatically.

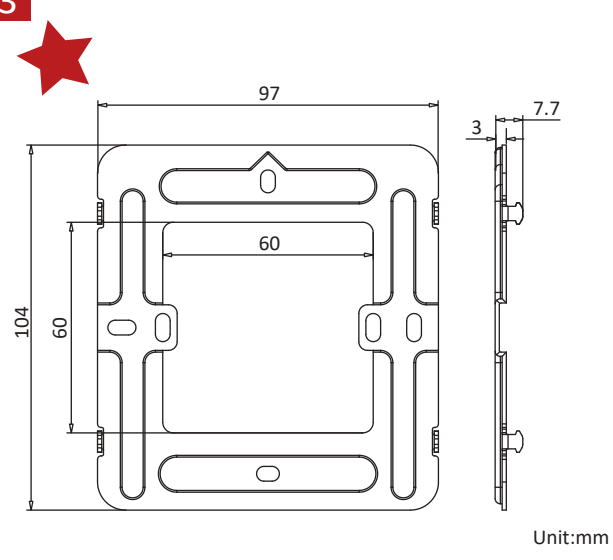
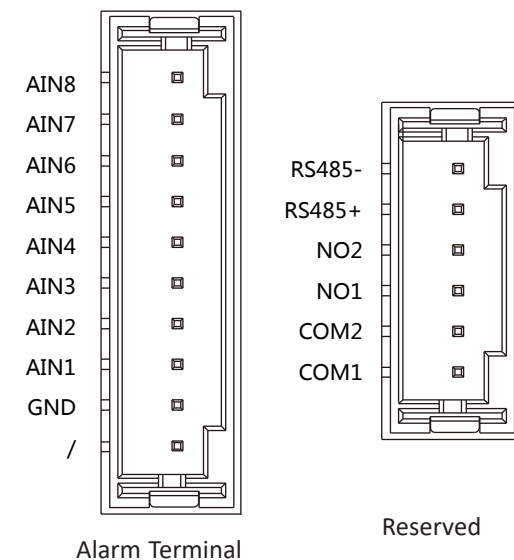
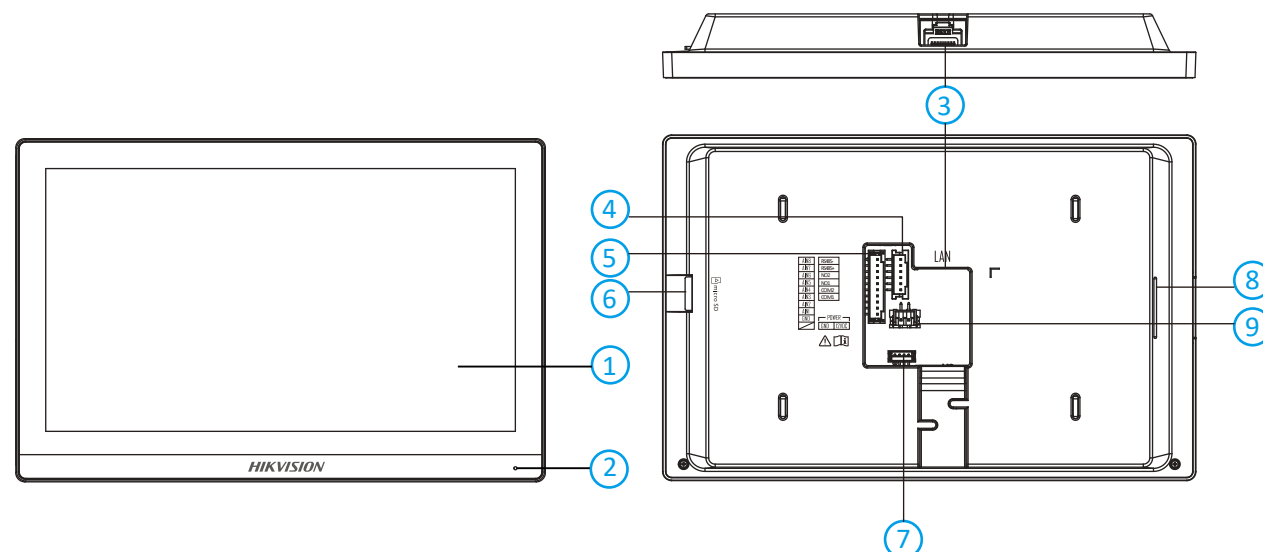
4 Getting Started

1. Activate Indoor Station
 You are required to activate the device first by setting a strong password before you can use the device.

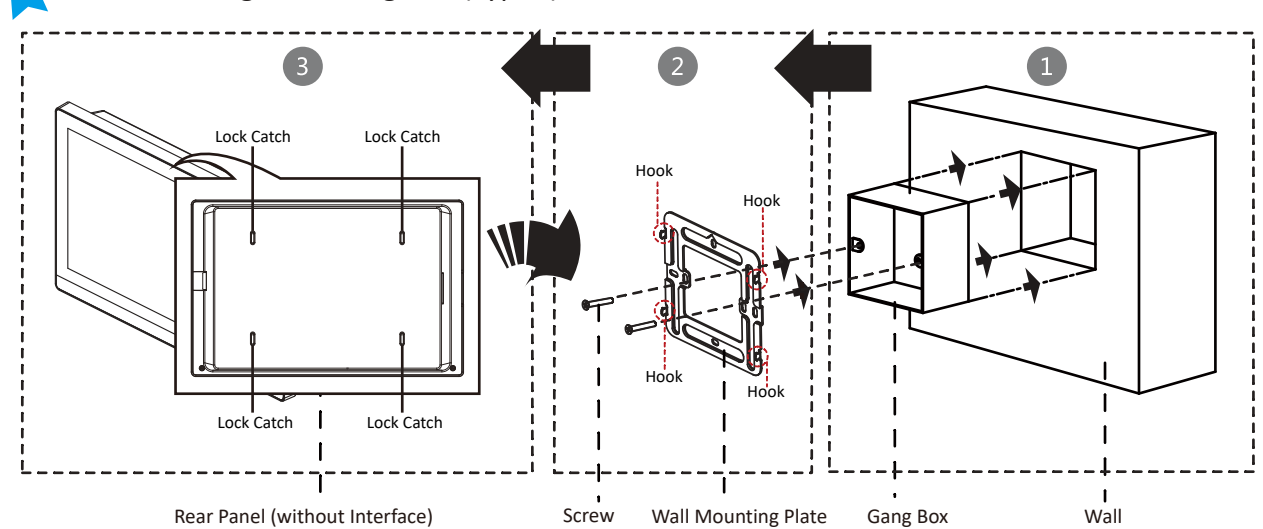
1. Power on the device. It will enter the activation page automatically.
2. Create a password and confirm it.
3. Tap OK to activate the indoor station.

2 Quick Configuration

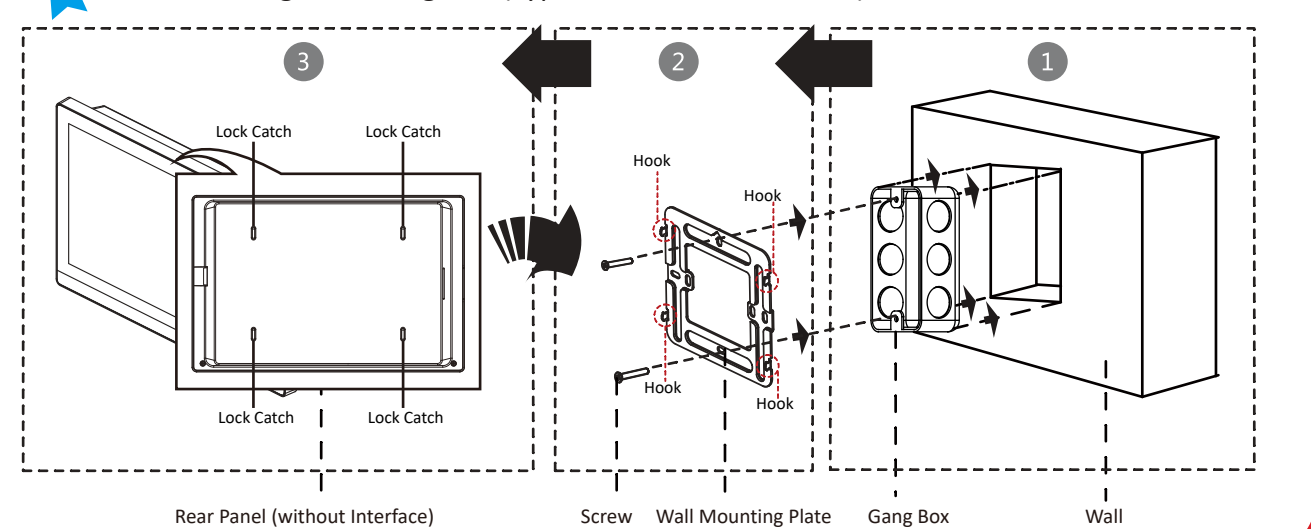
1. Choose Language and tap Next.
2. Set password reset method and tap Next.
 - Enter the Reserved Email address, then you can reset the password by email.
 Note: On the security questions settings page, you can tap Change to Reserved Email to modify the password reset method.
 - Tap Change to Security Question. Select 3 security questions from Deficiency List and enter the answers of the questions, then you can reset the password by answering security questions.
3. Set network parameters and tap Next.
 - Edit Local IP, Subnet Mask and Gateway parameters.
 - Enable DHCP, the device will get network parameters automatically.
4. Configure the indoor station and tap Next.
 a. Select Indoor Station Type.
 b. Edit Floor and Room No.
 c. Set the Registration Password.
5. (Optional) Slide to enable the mobile client service. Tap Next.
6. Linked related devices and tap Next. If the device and the indoor station are in the same LAN, the device will be displayed in the list. Tap the device or enter the serial No. to link.
 a. Tap the door station in the list to link.
 b. Tap the settings icon to pop up the Network Settings page.
 c. Edit the network parameters of the door station manually or enable DHCP to get the network parameters automatically.
 d. Tap OK to save the settings.
7. Tap Finish to save the settings.



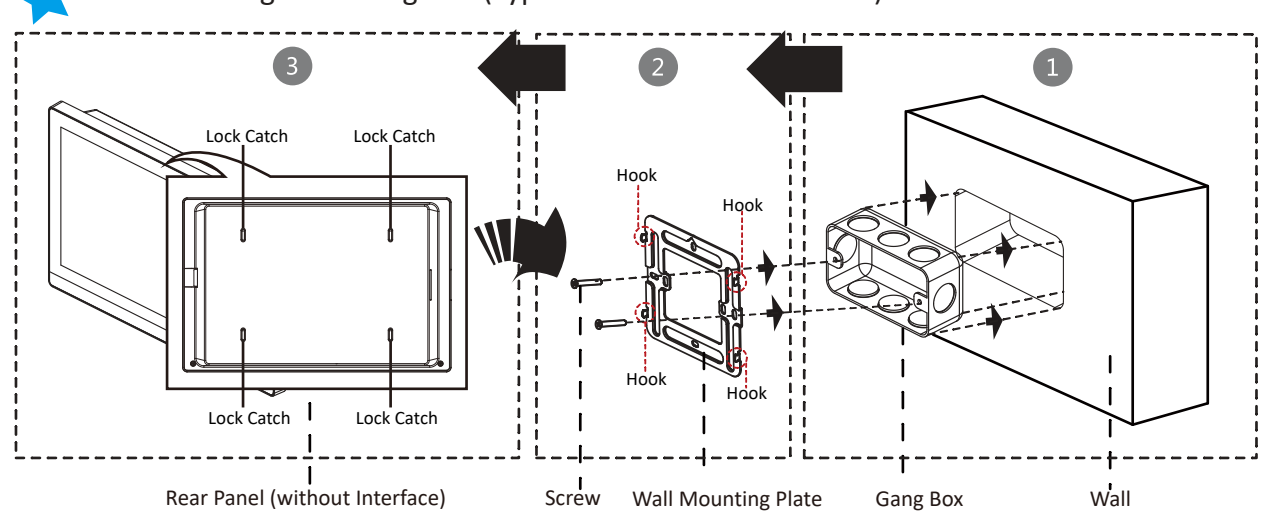
★ Wall Mounting with Gang Box (Type I)



★ Wall Mounting with Gang Box (Type II Vertical Installation)



★ Wall Mounting with Gang Box (Type II Horizontal Installation)



★ Table Mounting with Table Bracket

