



Module Door Station

Quick Start Guide

Legal Information

Quick Start Guide

©2019 Hangzhou Hikvision Digital Technology Co., Ltd.

About this Manual

This Manual is subject to domestic and international copyright protection. Hangzhou Hikvision Digital Technology Co., Ltd. ("Hikvision") reserves all rights to this manual. This manual cannot be reproduced, changed, translated, or distributed, partially or wholly, by any means, without the prior written permission of Hikvision.

Please use this user manual under the guidance of professionals.

Trademarks

HIKVISION and other Hikvision marks are the property of Hikvision and are registered trademarks or the subject of applications for the same by Hikvision and/or its affiliates. Other trademarks mentioned in this manual are the properties of their respective owners. No right of license is given to use such trademarks without express permission.

Disclaimer

TO THE MAXIMUM EXTENT PERMITTED BY APPLICABLE LAW, HIKVISION MAKES NO WARRANTIES, EXPRESS OR IMPLIED, INCLUDING WITHOUT LIMITATION THE IMPLIED WARRANTIES OF MERCHANTABILITY AND FITNESS FOR A PARTICULAR PURPOSE, REGARDING THIS MANUAL. HIKVISION DOES NOT WARRANT, GUARANTEE, OR MAKE ANY REPRESENTATIONS REGARDING THE USE OF THE MANUAL, OR THE CORRECTNESS, ACCURACY, OR RELIABILITY OF INFORMATION CONTAINED HEREIN. YOUR USE OF THIS MANUAL AND ANY RELIANCE ON THIS MANUAL SHALL BE WHOLLY AT YOUR OWN RISK AND RESPONSIBILITY.

REGARDING TO THE PRODUCT WITH INTERNET ACCESS, THE USE OF PRODUCT SHALL BE WHOLLY AT YOUR OWN RISKS. HIKVISION SHALL NOT




TAKE ANY RESPONSIBILITIES FOR ABNORMAL OPERATION, PRIVACY LEAKAGE OR OTHER DAMAGES RESULTING FROM CYBER ATTACK, HACKER ATTACK, VIRUS INSPECTION, OR OTHER INTERNET SECURITY RISKS; HOWEVER, HIKVISION WILL PROVIDE TIMELY TECHNICAL SUPPORT IF REQUIRED.

SURVEILLANCE LAWS VARY BY JURISDICTION. PLEASE CHECK ALL RELEVANT LAWS IN YOUR JURISDICTION BEFORE USING THIS PRODUCT IN ORDER TO ENSURE THAT YOUR USE CONFORMS THE APPLICABLE LAW. HIKVISION SHALL NOT BE LIABLE IN THE EVENT THAT THIS PRODUCT IS USED WITH ILLEGITIMATE PURPOSES.

IN THE EVENT OF ANY CONFLICTS BETWEEN THIS MANUAL AND THE APPLICABLE LAW, THE LATER PREVAILS.

Symbol Conventions

The symbols that may be found in this document are defined as follows.

Symbol	Description
 Danger	Indicates a hazardous situation which, if not avoided, will or could result in death or serious injury.
 Caution	Indicates a potentially hazardous situation which, if not avoided, could result in equipment damage, data loss, performance degradation, or unexpected results.
 Note	Provides additional information to emphasize or supplement important points of the main text.

Contents

1 Appearance	1
2 Terminal and Wiring	5
2.1 Terminal Description	5
2.2 Door Lock Wiring	7
2.3 Door Magnetic Wiring	7
2.4 Exit Button Wiring	8
3 Installation	10
3.1 Configure Sub Module Address	10
3.2 Two-Module Installation	11
3.2.1 Two-Module Surface Mounting	11
3.2.2 Two-Module Flush Mounting	16
3.3 Three-Module Installation	20
3.3.1 Three-Module Surface Installation	20
3.3.2 Three-Module Flush Mounting	26
3.4 More-Than-Three Module Installation	30
3.4.1 More-Than-Three Module Surface Mounting	30
3.4.2 More-Than-Three Module Flush Mounting	36
4 Remote Operation	44
4.1 Activate Device	44
4.2 Edit Network Parameters	45
4.3 Add Device	46
4.4 Call Resident	47

4.4.1 Dial via Main Unit	47
4.4.2 Dial via Nametag Module	48

1 Appearance

Main Unit

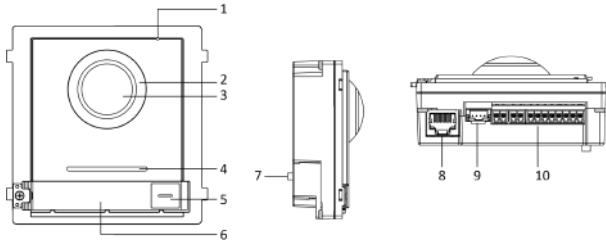


Figure 1-1 Main Unit Appearance
Table 1-1 Appearance Description

No.	Description
1	Microphone
2	Low Illumination IR Supplement Light
3	Built-in Camera
4	Loudspeaker
5	Call Button
6	Nametag
7	TAMPER
8	Network Interface
9	Module-Connecting Interface (output)
10	Terminals

 **Note**

- Nametag area supports insert customized name card. The suggested card size is: 58 (L) x 11.7(W) mm.
- The module connecting interface is used to connect other function module, such as nametag module, keypad module, card reader module, etc. All these modules are known as sub module.

Nametag Module

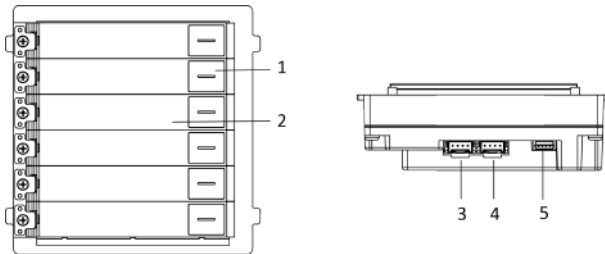


Figure 1-2 Nametag Module Appearance

Table 1-2 Appearance Description

No.	Description
1	Call Button
2	Nametag
3	Module-Connecting Interface (output)
4	Module-Connecting Interface (input)
5	Debug Port

Keypad Module

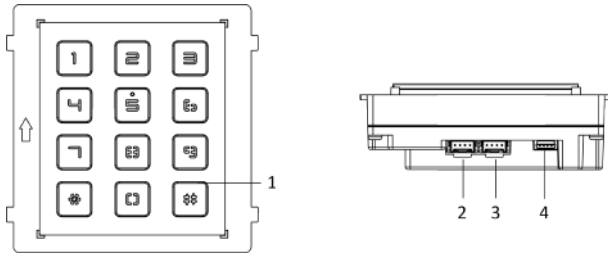


Figure 1-3 Keypad Module Appearance

Table 1-3 Appearance Description

No.	Description
1	Button
2	Module-Connecting Interface (output)
3	Module-Connecting Interface (input)
4	Debug Port

Card Reader Module

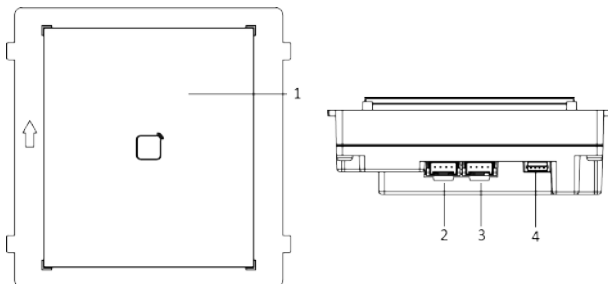


Figure 1-4 Card Reader Module

Table 1-4 Appearance Description

No.	Description
1	Card Reading Area
2	Module-connecting Interface (output)
3	Module-connecting Interface(input)
4	Debug Port

2 Terminal and Wiring

2.1 Terminal Description

Main Unit Terminals

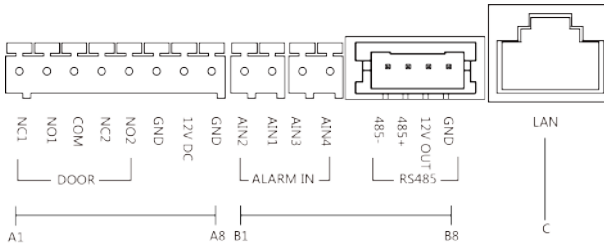


Figure 2-1 Main Unit Terminals

Table 2-1 Descriptions of Terminals and Interfaces

No.	Interface	Description
A1	NC1	Door Lock Relay Output (NC)
A2	NO1	Door Lock Relay Output (NO)
A3	COM	Common Interface
A4	NC2	Door Lock Relay Output (NC)
A5	NO2	Door Lock Relay Output (NO)
A6	GND	Grounding
A7	12 VDC	Power Supply Output
A8	GND	Grounding
B1	AIN2	For the access of Door Magnetic 2
B2	AIN1	For the access of Door Magnetic 1
B3	AIN3	For the access of Exit Button 1

Module Door Station Quick Start Guide

No.	Interface	Description
B4	AIN4	For the access of Exit Button 2
B5	485-	Module-connecting Interface
B6	485+	
B7	12 V OUT	
B8	GND	
C	LAN	PoE Network Interface(Supports IEEE 802.3af/at-Compliant Devices)

Sub Module Terminal

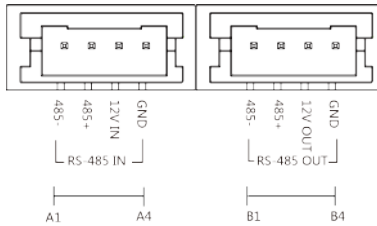


Figure 2-2 Sub Module Terminal
Table 2-2 Description

No.	Interface	Description
A1	485-	Module-Connecting Interface (Input)
A2	485+	
A3	12V IN	
A4	GND	
B1	485-	Module-Connecting Interface (Output)
B2	485+	

No.	Interface	Description
B3	12V OUT	
B4	GND	

2.2 Door Lock Wiring

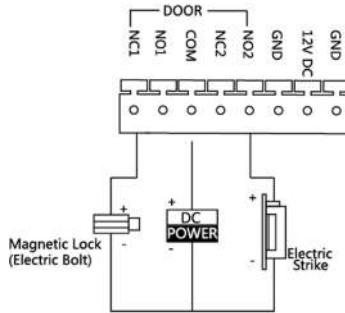


Figure 2-3 Door Lock Wiring

Note

- Terminal NC1/COM is set as default for accessing magnetic lock/electric bolt; terminal NO2/COM is set as default for accessing electric strike.
- Lock should be powered by itself. Max. voltage and current for relay is 30V and 1A.

2.3 Door Magnetic Wiring

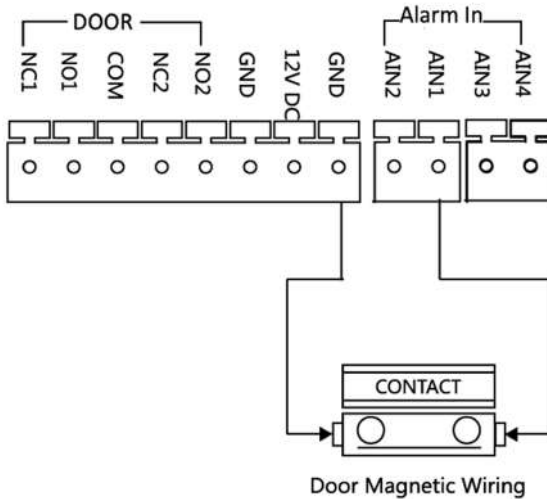


Figure 2-4 Door Magnetic Wiring

Note

AIN1 and AIN2 are defaulted to connect door magnetic. Door magnetic connected to AIN1 detects status of the lock that connected to NC1/NO1; Door magnetic connected to AIN2 detects the status of the lock connected to NC2/NO2.

2.4 Exit Button Wiring

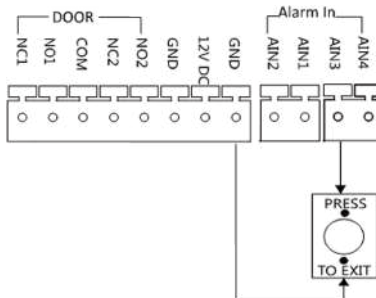


Figure 2-5 Exit Button Wiring

 **Note**

AIN3 and AIN4 are set as default for connecting exit button. Exit button connected to AIN3 opens the lock connected to NC1/NO1; Exit button connected to AIN4 controls the lock that connected to NC2/NO2.

3 Installation

Note

- Make sure the device in the package is in good condition and all the assembly parts are included.
- Sub module must work along with the main unit.
- Set the sub module address before start the installation steps.
- Make sure the place for surface mounting is flat.
- Make sure all the related equipment is power-off during the installation.
- Tools that you need to prepare for installation:
Drill ($\varnothing 6$), cross screwdriver (PH1*150 mm), and gradienter.

3.1 Configure Sub Module Address

You need to set the sub module address via DIP before installation.

Steps

1. Remove the rubber cover on the sub module rear panel to expose the DIP switch.

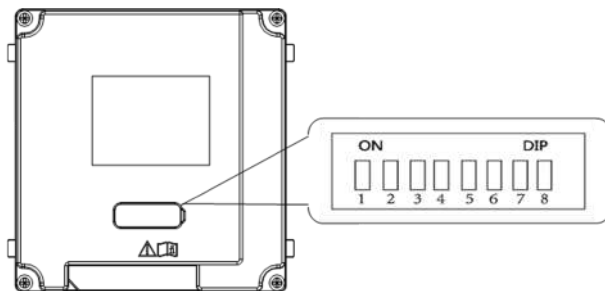


Figure 3-1 DIP Switch

2. Set the sub module address according to the DIP rules, and install the rubber cover back.

 **Note**

- Digit 1, 2, 3, 4 are used to coding the sub module address; Digit 5, 6, 7 are reserved; Digit 8 is a resistance (120Ω) is you set it as on.
- Valid sub module address range is 1 to 8. The No. should be unique for sub modules that connected to the same main unit.
The sub module address and corresponding switch status as below.

Table 3-1 Description

Sub Module Address	1	2	3	4	5	6	7	8
Digit 1	ON	OFF	ON	OFF	ON	OFF	ON	OFF
Digit 2	OFF	ON	ON	OFF	OFF	ON	ON	OFF
Digit 3	OFF	OFF	OFF	ON	ON	ON	ON	OFF
Digit 4	OFF	OFF	OFF	OFF	OFF	OFF	OFF	ON

3.2 Two-Module Installation

3.2.1 Two-Module Surface Mounting

Before You Start

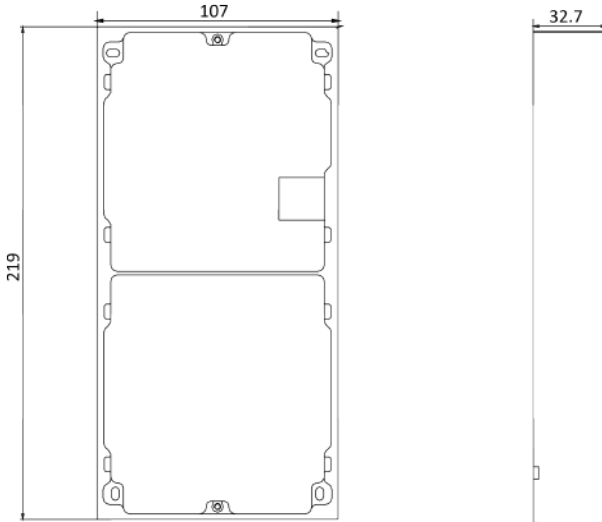


Figure 3-2 Mounting Frame

 **Note**

- The dimension of two-module mounting frame is: 219(W)×107 (H)×32.7(D) mm.
- The dimensions above are for reference only. The actual size can be slightly different from the theoretical dimension.

Steps

1. Paste the installation Sticker 1 onto the wall. Make sure the sticker is placed leveled via measuring with the gradienter.
2. Chisel 4 holes with drill align to the screw holes on the sticker. The suggested size of hole is 6 (diameter) × 25 (depth) mm. The suggested length of cables left outside is 270 mm.

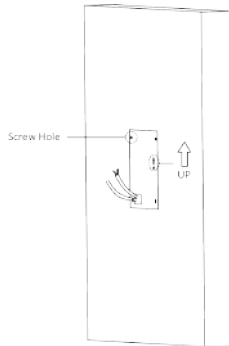


Figure 3-3 Chisel Screw Holes

3. Remove the sticker and insert the expansion sleeves into the screw holes.
4. Fix the mounting frame onto the wall with 4 expansion bolts.

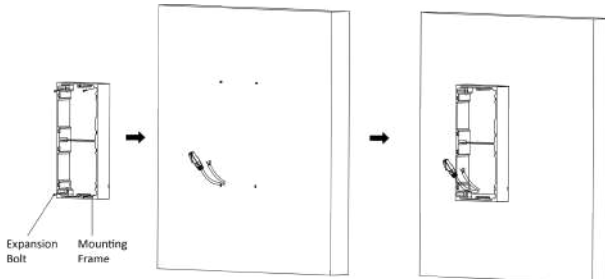


Figure 3-4 Fix the Mounting Frame

5. Thread the module-connecting line across the thread hole of the frame. Pass the main unit connecting lines across the thread hole to the upper grid.

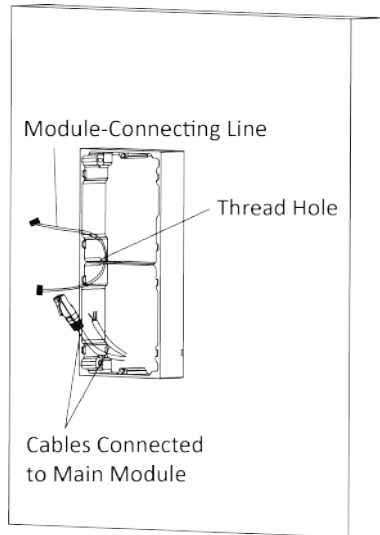


Figure 3-5 Placement of Lines

6. Connect the cables.
 - 1) Connect the cables and module-connecting line to the corresponding interfaces of the main unit, then place the main unit into the upper grid.
 - 2) Connect the other end of the module-connecting line to the input interface of the sub module.
 - 3) Organize the line with cable tie in the package. The suggested line connection picture as below.

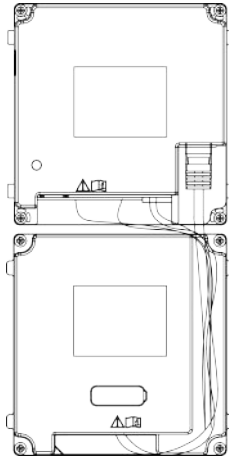


Figure 3-6 Line Connection Effect Picture

7. Insert the modules into the frame after wiring. Main unit must be placed in the top grid.

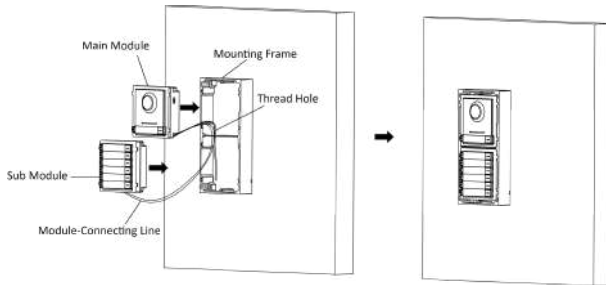


Figure 3-7 Insert the Modules

8. Use the hexagon wrench in the package fix the cover onto the frame.

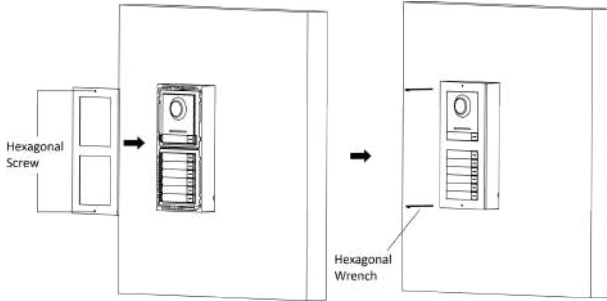


Figure 3-8 Fix the Cover

3.2.2 Two-Module Flush Mounting

Before You Start

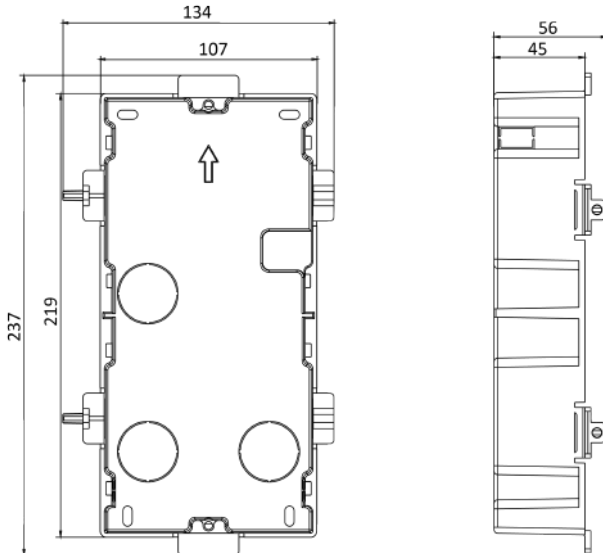


Figure 3-9 Gang Box

 **Note**

- The dimension of one-module gang box is: 237(W)×134(H)×56(D) mm.
 - The dimensions above are for reference only. The actual size can be slightly different from the theoretical dimension.
-

Steps

1. Cave the installation hole, and pull the cable out. The suggested dimension of installation hole is 220(W)×108(H)×45.5(D) mm. The suggested length of cables left outside is 270 mm.

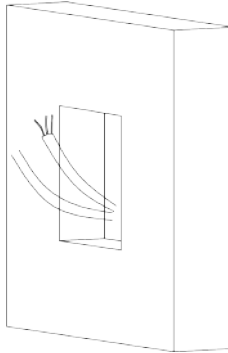


Figure 3-10 Cave the Installation Hole

2. Remove the plastic sheet of the cable entry which will be used.
3. Insert the gang box into the hole and pull out the cables through the cable entry. Mark the screw holes' position with a marker, and take out the gang box.

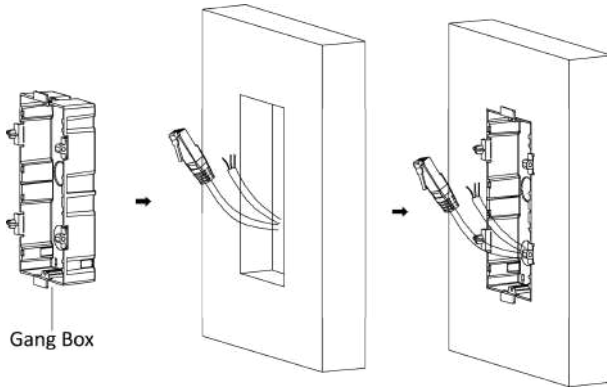


Figure 3-11 Mark the Screw Holes

4. Chisel 4 holes with drill align to marks on the wall, and insert the expansion sleeves into the screw holes. The suggested size of hole is 6 (diameter) × 45 (depth) mm.
5. Fix the gang box with 4 expansion bolts.

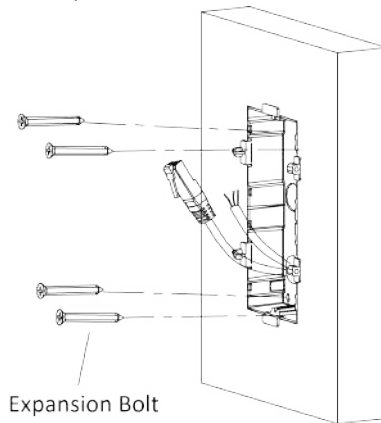


Figure 3-12 Fix the Gang Box

6. Fill and level up the gap between the gang box and wall with concrete. Remove the mounting ears with tool after concrete is dry.

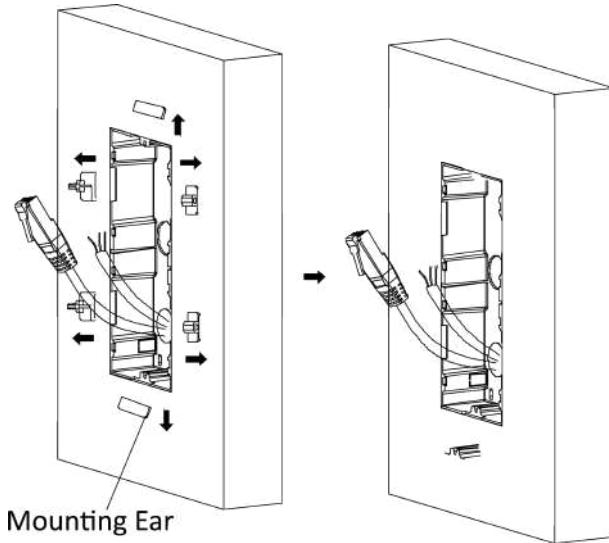


Figure 3-13 Remove the Mounting Ears

7. Connect wires and insert the modules.

- 1) Connect Cable 1 and one end of Cable 2 to the corresponding interfaces of the main unit, then place the main unit into the upper grid.
- 2) Connect the other end of Cable 2 to the input interface of the sub module. Insert it into the lower grid.

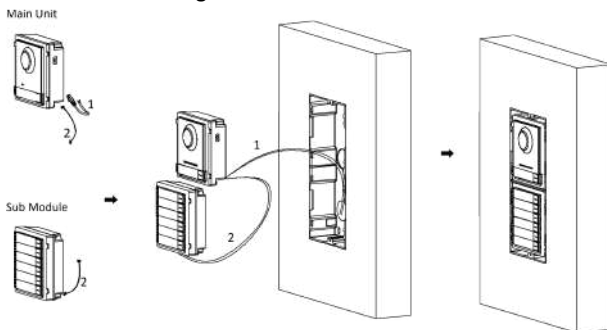


Figure 3-14 Connect Wires and Insert the Modules

 **Note**

Cable 1 refers to the cables pulled out from the wall that connected to the main unit. Cable 2 refers to the module-connecting line in the accessory package.

8. Use the hexagon wrench in the package fix the cover.

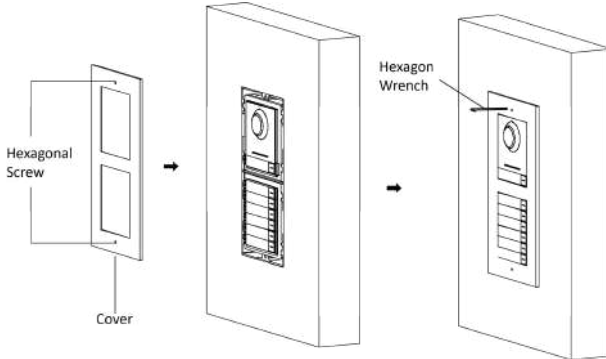


Figure 3-15 Fix the Cover

3.3 Three-Module Installation

3.3.1 Three-Module Surface Installation

Before You Start

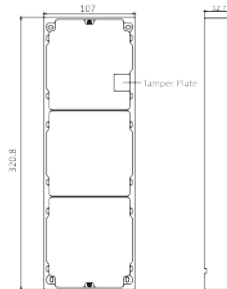


Figure 3-16 Mounting Frame

 **Note**

- The dimension of two-module mounting frame is: 320.8 (W) × 107 (H) × 32.7(D) mm.
 - The dimensions above are for reference only. The actual size can be slightly different from the theoretical dimension.
-

Steps

1. Paste the installation sticker 1 onto the wall. Make sure the sticker is placed leveled via measuring with the gradienter.
2. Chisel 4 holes with drill align to the screw holes on the sticker. The suggested size of hole is 6 (diameter) × 25 (depth) mm. The suggested length of cables left outside is 270 mm.

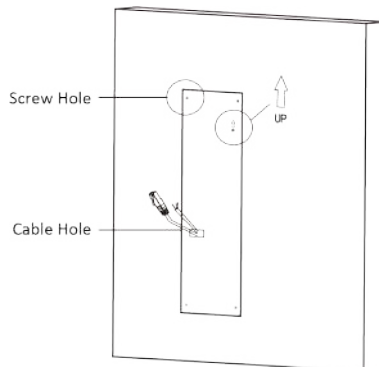


Figure 3-17 Chisel Screw Hole

3. Remove the sticker and insert the expansion sleeves into the screw holes.
4. Fix the mounting frame onto the wall with 4 expansion bolts.

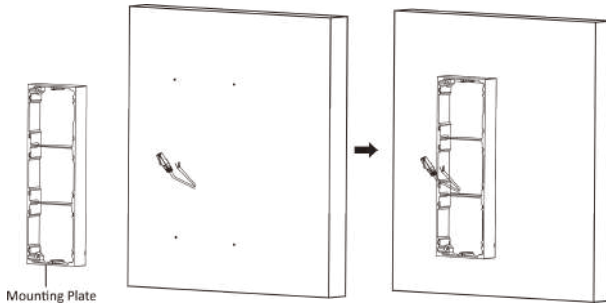


Figure 3-18 Fix the Mounting Frame

 **Note**

The mounting frame should be placed exactly as below for this step. The tamper plate should be at the low right of the first grid.

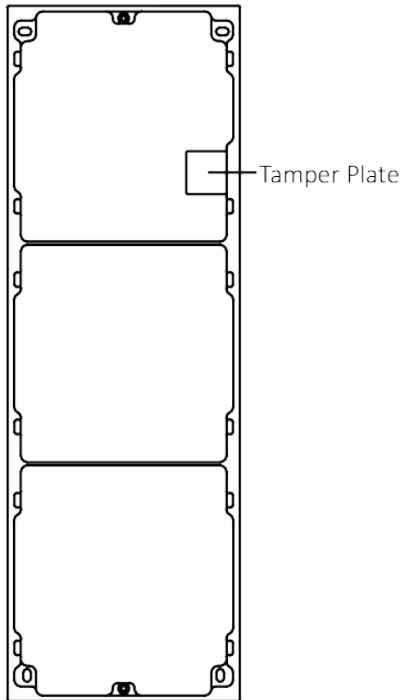


Figure 3-19 Mounting Frame

5. Thread the module-connecting lines across the thread holes of the frame. Pass the main unit connecting lines across the thread hole to the top grid.

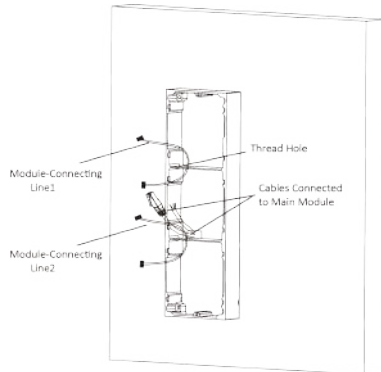


Figure 3-20 Placement of Lines

6. Connect the cables.
 - 1) Connect the cables and module-connecting line 1 to the corresponding interfaces of the main unit, then place the main unit into the upper grid.
 - 2) Connect the other end of the module-connecting line1 to the input interface of the sub module. Connect two sub modules via module-connecting line 2.
 - 3) Organize the line with cable tie in the package. The suggested line connection picture as below.

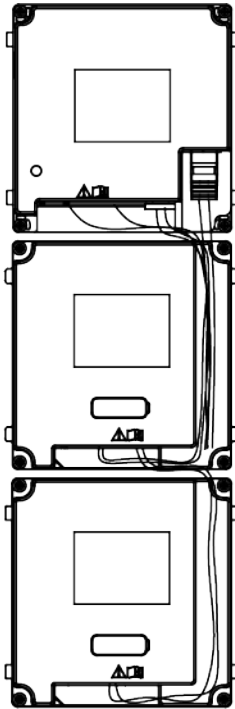


Figure 3-21 Line Connection Effect Picture

7. Insert the modules into the frame after wiring. Main unit must be placed in the top grid.

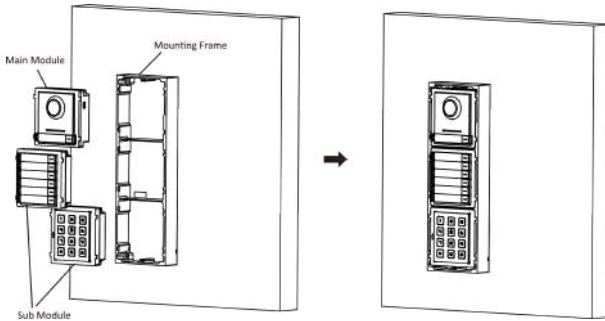


Figure 3-22 Insert the Modules into the Frame

8. Use the hexagon wrench in the package fix the cover onto the frame.

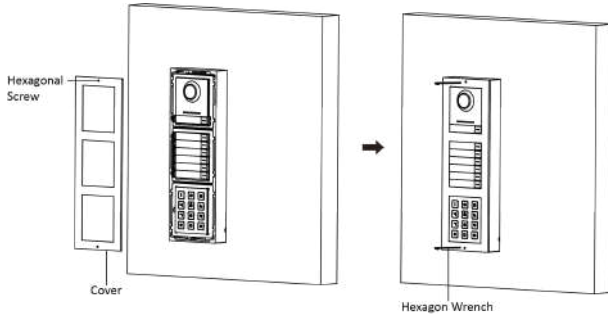


Figure 3-23 Fix the Cover

3.3.2 Three-Module Flush Mounting

Before You Start

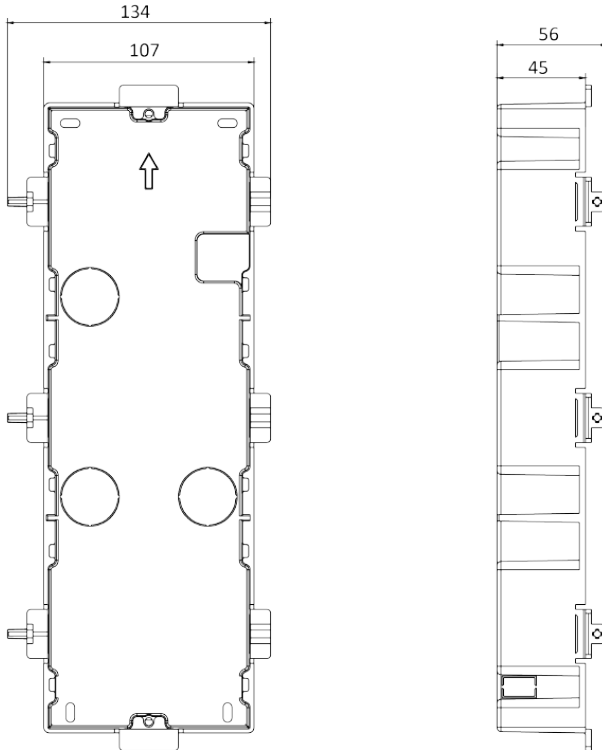


Figure 3-24 Gang Box

Note

- The dimension of one-module gang box is: 338.8(W)×134(H)×56(D) mm.
- The dimensions above are for reference only. The actual size can be slightly different from the theoretical dimension.

Steps

1. Cave the installation hole, and pull the cable out. The suggested dimension of installation hole is 321.8(W)×108(H)×45.5(D) mm. The suggested length of cables left outside is 270 mm.

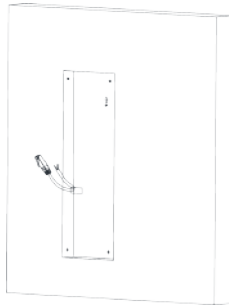


Figure 3-25 Cave the Installation Hole

2. Remove the plastic sheet of the cable entry which will be used.
3. Insert the gang box into the hole and pull out the cables through the cable entry. Mark the screw holes' position with a marker, and take out the gang box.

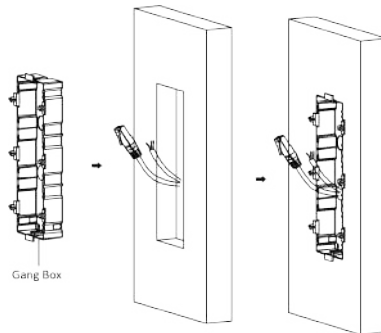


Figure 3-26 Mark the Screw Holes

4. Chisel 4 holes with drill align to marks on the wall, and insert the expansion sleeves into the screw holes. The suggested size of hole is 6 (diameter) × 45 (depth) mm.
5. Fix the gang box with 4 expansion bolts.

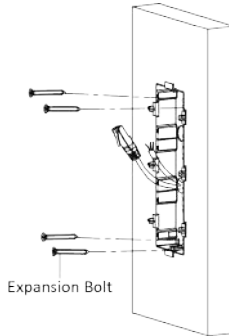


Figure 3-27 Fix the Gang Box

6. Fill and level up the gap between the gang box and wall with concrete. Remove the mounting ears with tool after concrete is dry.

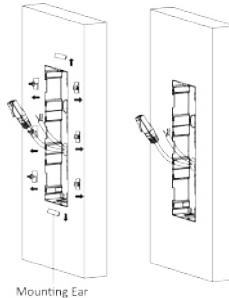


Figure 3-28 Remove the Mounting Ears

7. Connect wires and insert the modules.
 - 1) Connect Cable 1 and one end of Cable 2 to the corresponding interfaces of the Main Unit, then place the Main Unit into the upper grid.
 - 2) Connect the other end of Cable 2 to the input interface of Sub Module 1. Connect one end of Cable 3 to the output interface of Sub Module 1 and insert it into the middle grid.
 - 3) Connect the other end of Cable 3 to the input interface of Sub Module 2. Insert it into the bottom grid.

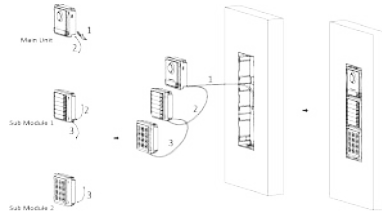


Figure 3-29 Connect Wires and Insert Modules

Note

Cable 1 refers to the cables pulled out from the wall that connected to the main unit. Cable 2 and Cable 3 refer to the module-connecting line in the accessory package.

8. Use the hexagon wrench in the package to fix the cover onto the gang box.

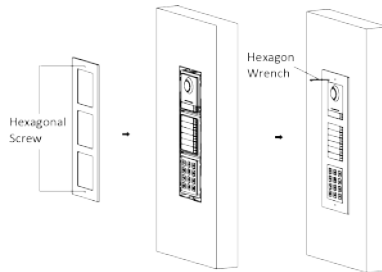


Figure 3-30 Fix the Cover

3.4 More-Than-Three Module Installation

3.4.1 More-Than-Three Module Surface Mounting

Before You Start

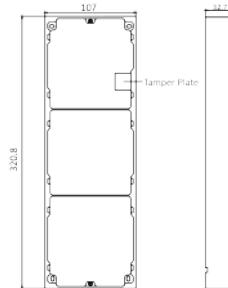


Figure 3-31 Mounting Frame

 **Note**

- It takes two three-module mounting frames. The dimension of three-module mounting frame is: 320.8(W)×107 (H)×32.7(D) mm.
- The dimensions above are for reference only. The actual size can be slightly different from the theoretical dimension.

Steps

1. Paste two Sticker 1 onto the wall. Make sure the stickers are placed leveled via measuring with the gradienter.
2. Chisel 8 holes with drill align to the screw holes on the sticker. The suggested size of hole is 6 (diameter) × 25 (depth) mm. The suggested length of cables left outside is 270 mm.
3. Pull out the cable through the cable hole of the left sticker.

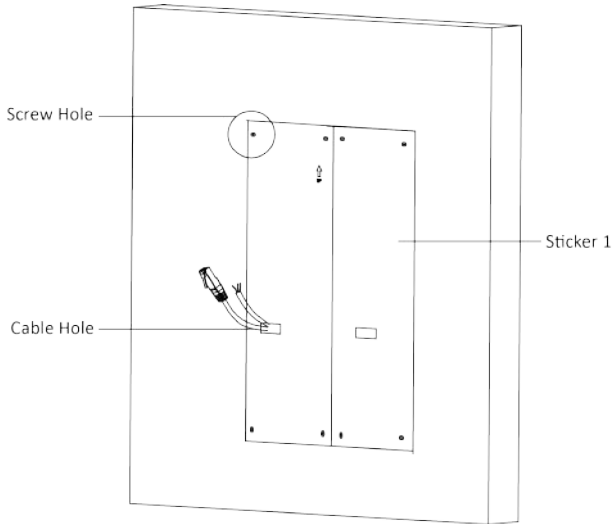


Figure 3-32 Chisel Screw Holes

4. Remove the stickers and insert the expansion sleeves into the screw holes.
5. Thread the module-connecting line (400 mm) and grounding line across the thread hole of both frames.

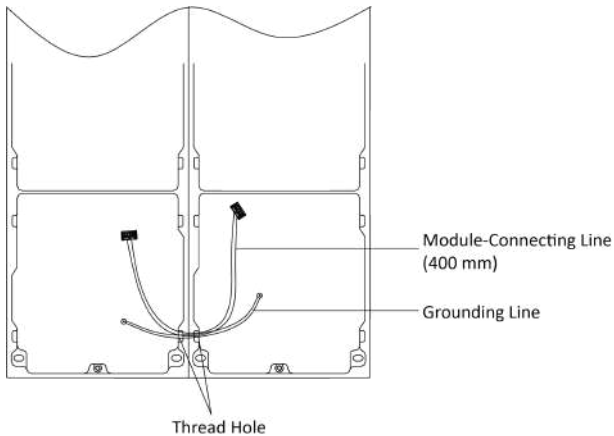


Figure 3-33 Place the Grounding Line and Module-Connecting Line

 **Note**

- There are 6 module-connecting lines in the package: 190 mm × 4 and 400 mm × 2.
- Take the 400 mm one for this step.
- The green-yellow line in the package is for grounding.

6. Fix the mounting frame onto the wall with 8 expansion bolts.

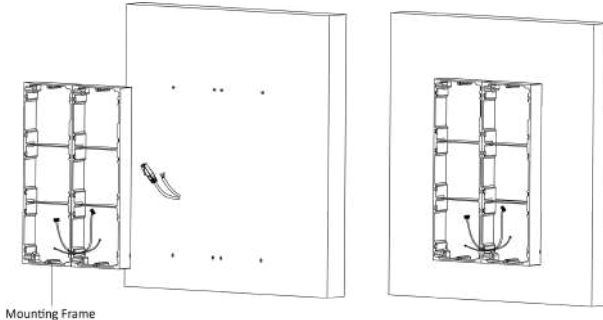


Figure 3-34 Fix the Mounting Frame

7. Pass the main unit connecting lines across the thread hole to the top grid of the left frame. Thread the module-connecting line (190 mm) across the thread hole of the frame. The lines should be placed as below:

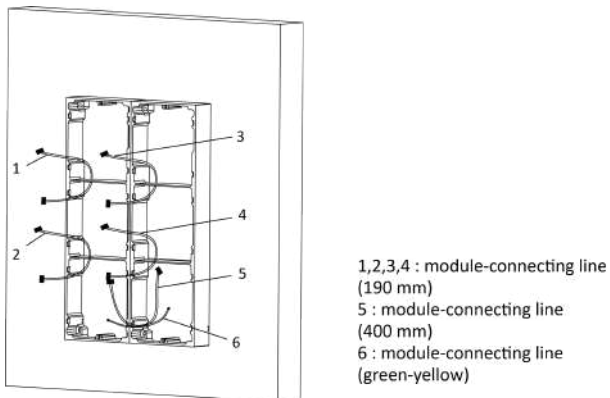


Figure 3-35 Placement of Lines

8. Connect the cables.

- 1) Connect the cables and module-connecting line 1 to the corresponding interfaces of the main unit, then place the main unit into the upper grid.
- 2) Connect the other end of the module-connecting line1 to the input interface of the sub module. Connect all sub modules via module-connecting lines.
- 3) Organize the line with cable tie in the package. The suggested line connection picture as below.

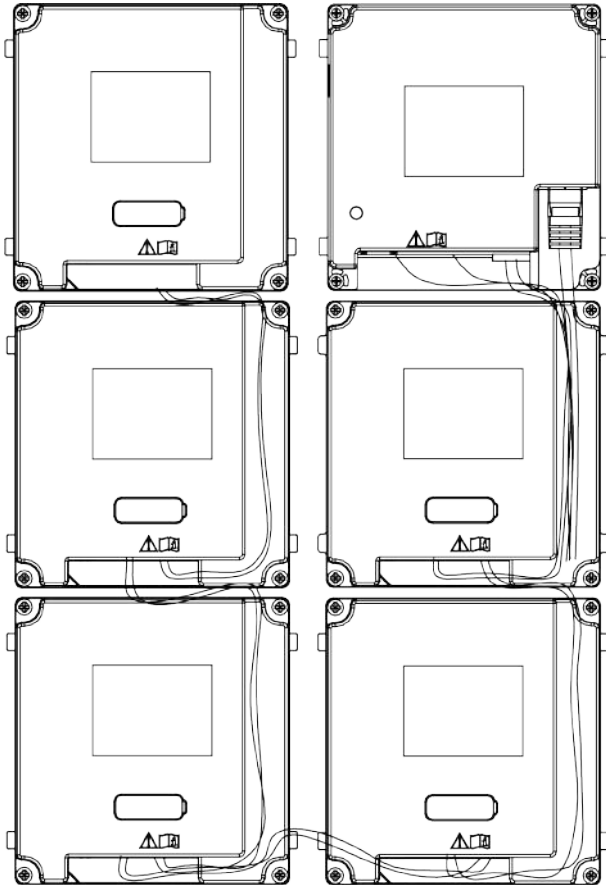


Figure 3-36 Line Connection Effect Picture

9. Insert the modules into the frame after wiring. Main unit must be placed in the top grid on the left.

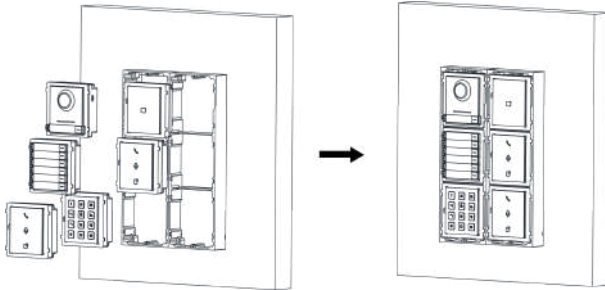


Figure 3-37 Insert the Modules

10. Pull the grounding line out and fixed its two end to the screw on the cover.

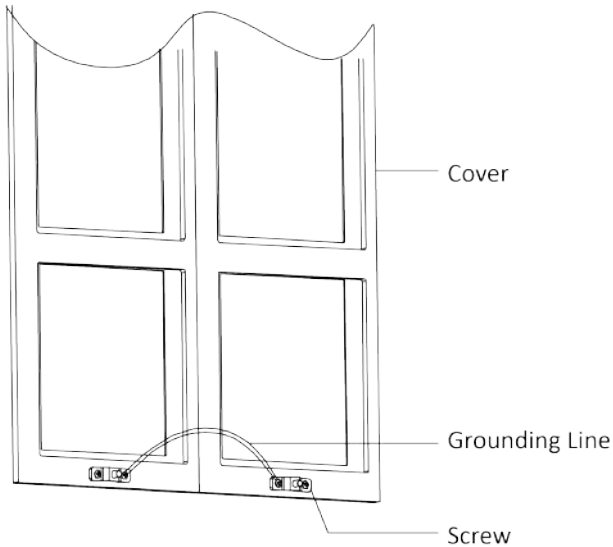


Figure 3-38 Connect the Grounding Line to the Cover

11. Use the hexagon wrench in the package fix the cover onto the frame.

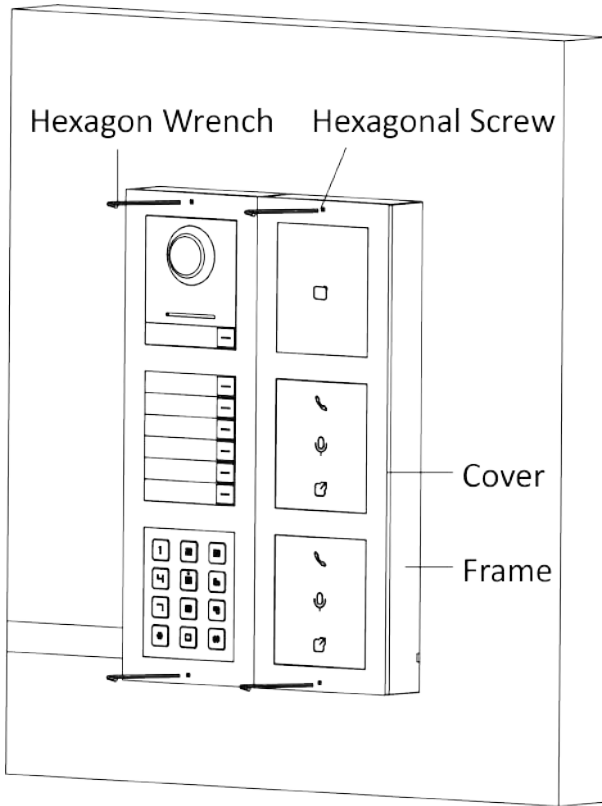


Figure 3-39 Fix the Cover

3.4.2 More-Than-Three Module Flush Mounting

Before You Start

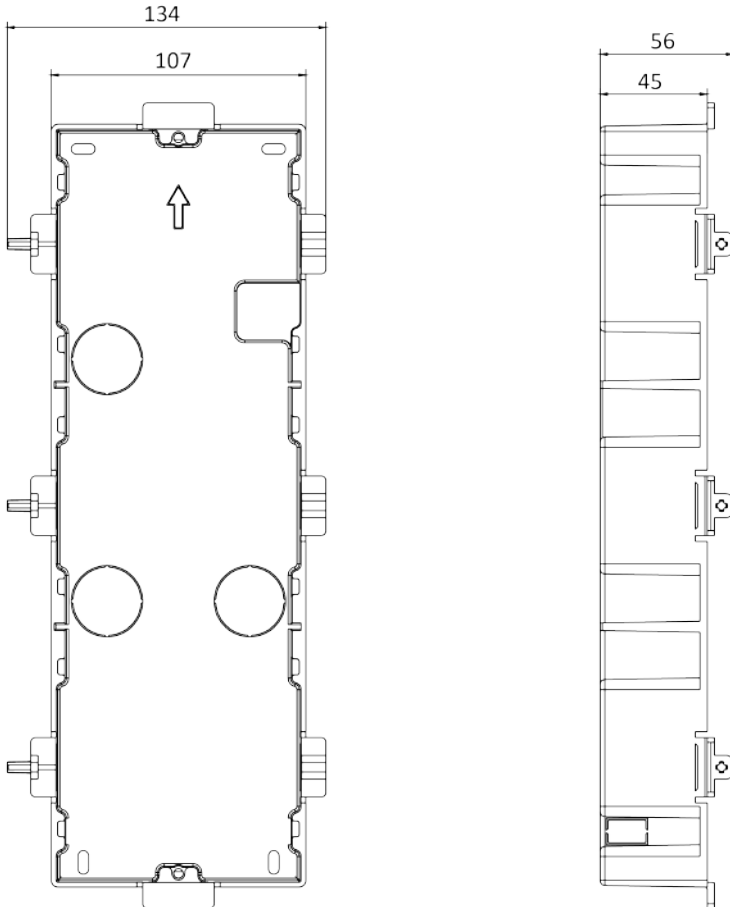


Figure 3-40 Gang Box

 **Note**

- It takes two three-module gang boxes. The dimension of the gang box is: 338.8 (W) × 134 (H) × 56 (D) mm.
 - The dimensions above are for reference only. The actual size can be slightly different from the theoretical dimension.
-

Steps

1. Cave the installation hole, and pull the cable out. The suggested dimension of installation hole is 321.8 (W) × 315 (H) × 45.5 (D) mm. The suggested length of cables left outside is 270 mm.

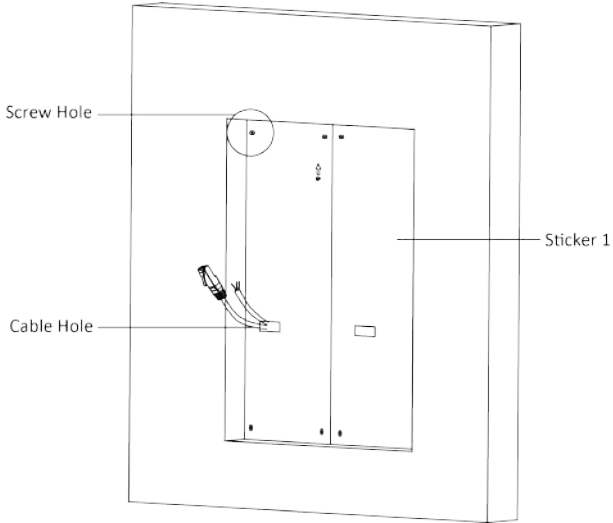


Figure 3-41 Cave the Installation Hole

2. Connect two gang boxes as below.

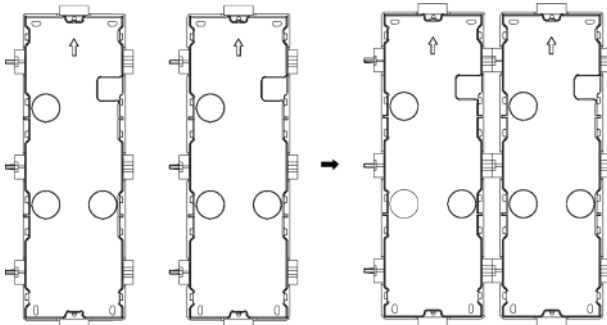


Figure 3-42 Connect Two Gang Boxes

3. Remove the plastic sheet of the cable entry which will be used.

4. Remove the plastic sheets on the side of the gang boxes (shown as 1 and 2) below:

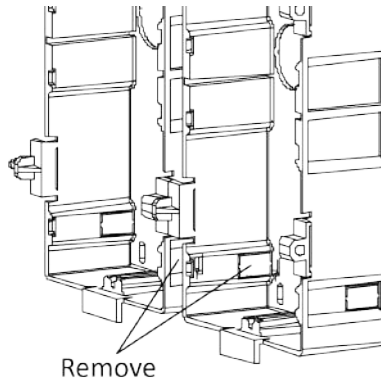


Figure 3-43 Remove the Plastic Sheets

5. Insert the gang boxes into the hole and pull out the cables through the cable entry. Mark the screw holes' position with a marker, and take out the gang boxes.

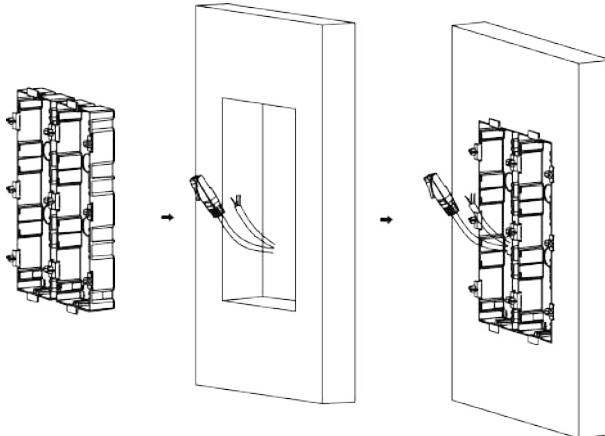


Figure 3-44 Mark the Screw Holes

6. Chisel 8 holes with drill align to marks on the wall, and insert the expansion sleeves into the screw holes. The suggested size of hole is 6 (diameter) × 45 (depth) mm.
7. Fix the gang boxes with 8 expansion bolts.

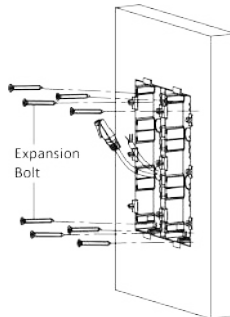


Figure 3-45 Fix the Gang Boxes

8. Fill and level up the gap between the gang box and wall with concrete. Remove the mounting ears with tool after concrete is dry. Pass the grounding line through the cable entries.

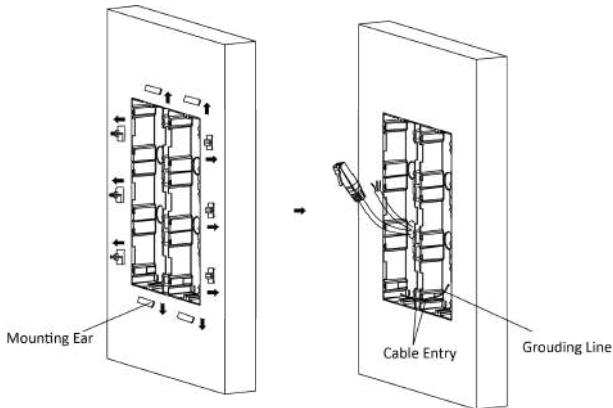


Figure 3-46 Remove the Mounting Ears

 **Note**

The green-yellow line in the package is for grounding.

9. Connect wires and insert the modules.
 - 1) Connect Cable 1 and one end of Cable 2 to the corresponding interfaces of the Main Unit, then place the Main Unit into the upper grid of the left gang box.

Module Door Station Quick Start Guide

- 2) Connect the other end of Cable 2 to the input interface of Sub Module 1. Connect one end of Cable 3 to the output interface of Sub Module 1 and insert it into the middle grid of the left gang box.
- 3) Finish the wiring and inserting according to the cable number and the position shown as below.

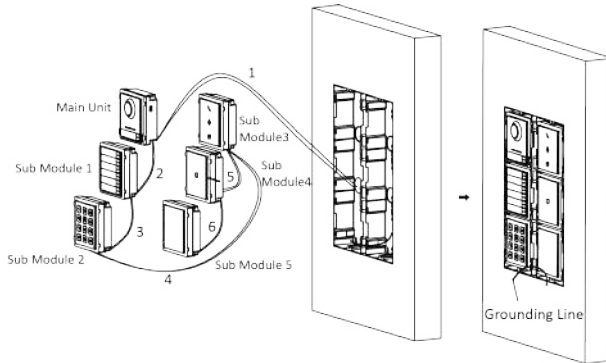


Figure 3-47 Install Mounting Frame

The cables connect to each module shown as below.

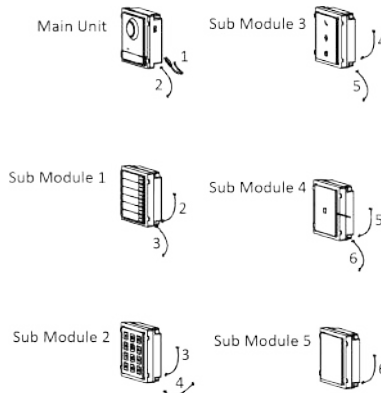


Figure 3-48 Cables Connection

 **Note**

- Cable 2,3,5 and 6 are the module-connecting lines (190 mm) in the package.
 - Cable 4 is the module-connecting line (400 mm) in the package.
 - Main unit must be put in the top grid.
-

10. Pull the grounding line out and fixed its two end to the screw on the cover.

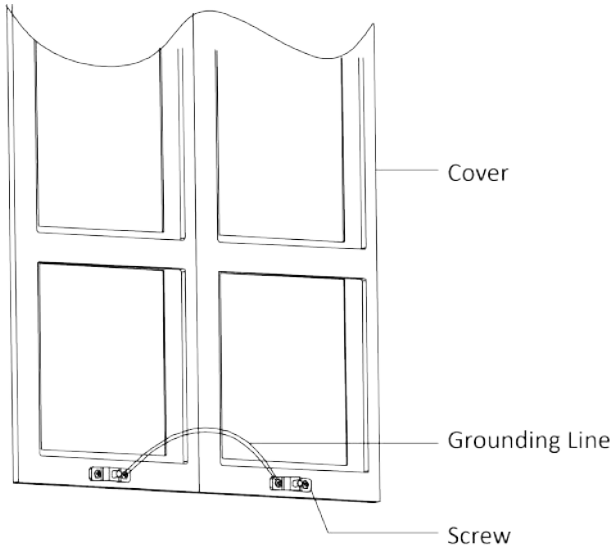


Figure 3-49 Connect the Grounding Line to the Cover

11. Use the hexagon wrench in the package fix the cover onto the gang box.

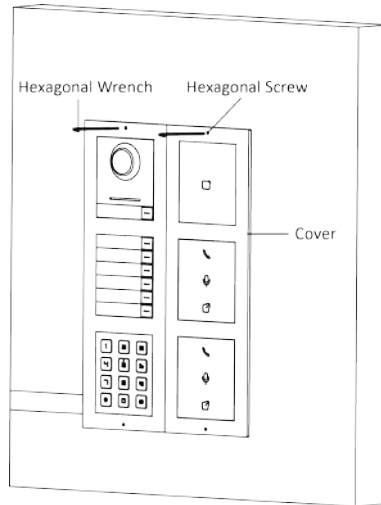


Figure 3-50 Fix the Cover

4 Remote Operation

The Video Intercom module provides remote control and configuration on video intercom products via the iVMS-4200 client software.

4.1 Activate Device

You can only configure and operate the door station after creating a password for the device activation.

Default parameters of door station are as follows:

- Default IP Address: 192.0.0.65.
- Default Port No.: 8000.
- Default User Name: admin.

Steps

1. Run the client software, enter **Device Management**, check the **Online Device** area.
2. Select an inactivated device and click the **Activate**.

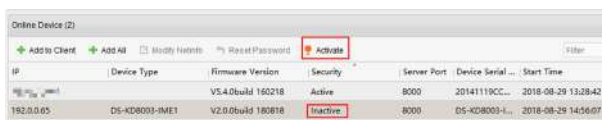


Figure 4-1 Online Device Area

3. Create a password, and confirm the password.



Figure 4-2 Activate Device

Note

We highly recommend you to create a strong password of your own choosing (using a minimum of 8 characters, including at least three kinds of following categories: upper case letters, lower case letters, numbers, and special characters) in order to increase the security of your product. And we recommend you reset your password regularly, especially in the high security system, resetting the password monthly or weekly can better protect your product.

4. Click **OK** to activate the device.

Note

- When the device is not activated, the basic operation and remote operation of device cannot be performed.
- You can hold the **Ctrl** or **Shift** key to select multiple devices in the online devices, and click the **Activate** button to activate devices in batch.

4.2 Edit Network Parameters

To operate and configure the device via LAN (Local Area Network), you need connect the device in the same subnet with your PC. You can edit network parameters via **iVMS-4200** client software.

Steps

1. Select an online activated device and click the **Modify Netinfo**.



Figure 4-3 Edit Network Parameters

2. Edit the device IP address and gateway address to the same subnet with your computer.
3. Enter the password and click **OK** to save the network parameters modification.

Figure 4-4 Modify Parameters

Note

- The default port No. is 8000.
- The default IP address of the door station is 192.0.0.65.
- After editing the network parameters of device, you should add the devices to the device list again.

4.3 Add Device

To configure the device remotely, you need to add the device to **iVMS-4200** client software.

Steps

1. Select the activated device and click **Add to Client**.

IP	Device Type	Firmware Version	Security	Server Port	Device Serial ...
10.6.113.120	DS-KD8003-IME1	V2.0.0build 180818	Active	8000	DS-KD8003-L...

Figure 4-5 Add Device

2. Enter corresponding information, and click **Add**.

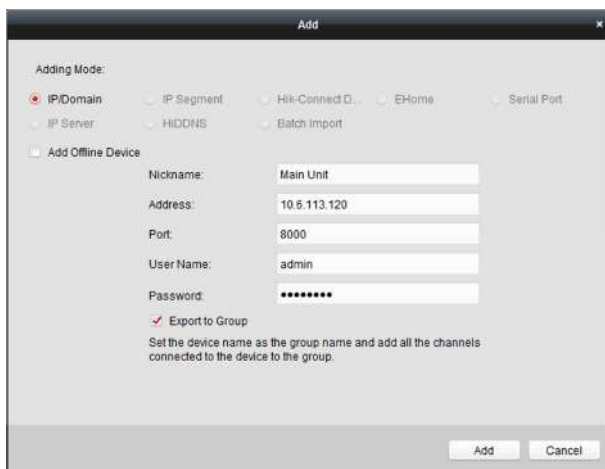


Figure 4-6 Add to the Client

4.4 Call Resident

You can call residents via the door station.

4.4.1 Dial via Main Unit

Steps

1. Select device, click **Remote Configuration**.



Figure 4-7 Remote Configuration

2. Click **Intercom** → **Dial** to enter the dial settings page.

Configuring the Key Call Room Parameters

Dial

Number: 1

Room No.: 1

Call Center

Call Indoor Station

Save

Figure 4-8 Dial Settings Page (Private SIP)

Configuring the Key Call Room Parameters

Dial

Number: 1

Call Center

Call Indoor Station

CalledName:

Save

Figure 4-9 Dial Settings Page (Standard SIP)

3. Enter the Room No. of the indoor station which the main unit connected to. You can call corresponding resident by press the call button on the main unit.

4.4.2 Dial via Nametag Module

Steps

1. Select device, click **Remote Configuration**.

Device for Management (1)

+ Add + Create Cluster - Modify - Delete Remote Configuration QR Code Activate Device Status

Device Type	Nickname	Connection...	Network Paramet...	Device Serial No.	Security
Door Station Main Unit		TCP/IP	10.6.113.120:8000	DS-KD8003-IME10120180826AARRC22713343CV...	Weak

Figure 4-10 Remote Configuration

2. Click **Intercom** → **Sub Module** to enter the sub module configuration page.

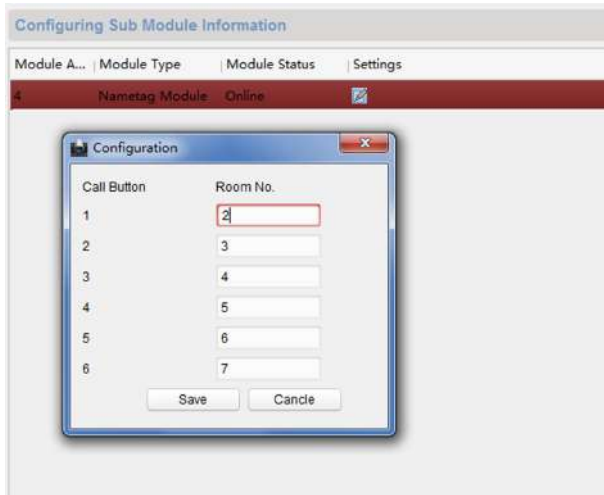


Figure 4-11 Sub Module Configuration Page

3. Select **Nametag Module** to pop up the configuration window.
4. Enter Room No. for each call button, and click **Save**.

