



### Key Feature

- Modular door station Touch & Display module, needs mounting bracket
- 4 inch touch screen, IP65, IK8
- Dial number display, pin code & card unlock, contact list & advertisement display
- Stores and searches contact list
- Multiple languages

### Specification

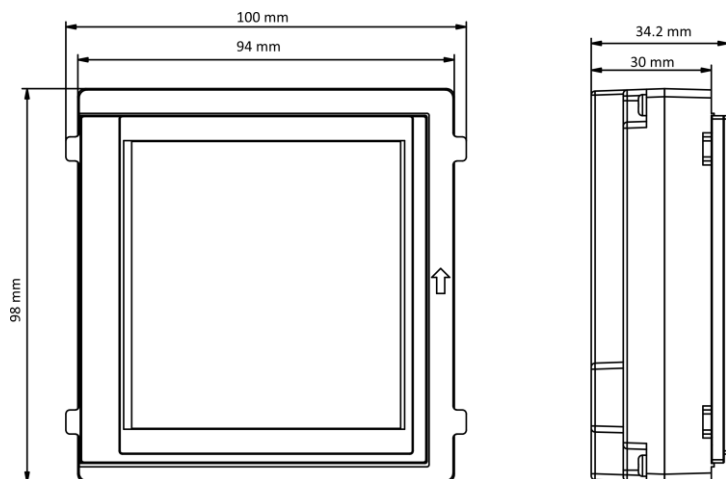
System parameters	
Operating system	Linux
ROM	32 MB
RAM	128 MB
Display parameters	
Screen size	4-inch
Type	IPS touch screen
Resolution	480 x 480
Audio parameters	
Audio compression standard	/
Audio input	/
Audio output	Buzzer
Audio quality	/
Volume adjustment	/
Power output	/
Network parameters	
Wireless network	Only AP mode

Authentication	
Card reading frequency	13.56 MHz
Card reading distance	2 cm
Card type	Mifare card
Device interfaces	
TF card	Reserved
DIP switch	8 bits
Cascade interface	2
General	
Installation	Surface, flush
Protective level	IP65, IK8
Working temperature	-20 ° C to 60 ° C (-4 ° F to 140 ° F)
Working humidity	10% to 95% (no-condensing)
Dimensions	100 mm × 100 mm × 35 mm (3.94" × 3.94" × 1.38")
Power supply	12 VDC, supplied by the main module
Power consumption	≤ 10 W
Language	English, French, Portuguese, Spanish, Russian, German, Italian, Polish, Turkish, Vietnamese, Arabic, Czech, Hungarian, Dutch, Romanian, Bulgarian, Ukrainian, Croatian, Serbian, Greek

## Available Model

DS-KD-TDM

## Dimension



**Headquarters**

No.555 Qianmo Road, Binjiang District,  
Hangzhou 310051, China  
T +86-571-8807-5998  
www.hikvision.com



Follow us on social media to get the latest product and solution information.

