

## DS-2CE76U7T-ITMF 8 MP Ultra-Low Light Camera



### Key Feature

- 8.29 MP, 3840 × 2160 resolution
- Ultra-low light
- 130 dB true WDR, 3D DNR
- 2.8 mm, 3.6 mm, 6 mm fixed lens
- Smart IR, up to 30 m IR distance
- 4 in 1 video output (switchable TVI/AHD/CVI/CVBS)
- IP67



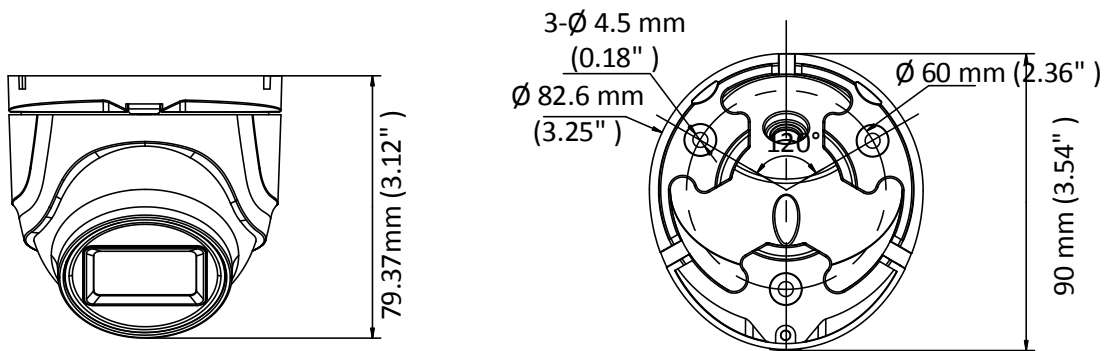
## Specification

| <b>Camera</b>              |                                                                                                                                                                   |
|----------------------------|-------------------------------------------------------------------------------------------------------------------------------------------------------------------|
| Image Sensor               | 8.29 MP CMOS                                                                                                                                                      |
| Signal System              | PAL/NTSC                                                                                                                                                          |
| Frame Rate                 | TVI: 8MP@12.5fps, 8MP@15fps, 5MP@20fps, 4MP@25fps, 4MP@30fps, 1080P@25fps, 1080P@30fps<br>AHD: 8MP@12.5fps, 8MP@15fps<br>CVI: 8MP@12.5fps, 8MP@15fps<br>CVBS: P/N |
| Resolution                 | 3840 (H) × 2160 (V)                                                                                                                                               |
| Min. Illumination          | 0.003 Lux@(F1.2, AGC ON), 0 Lux with IR                                                                                                                           |
| Shutter Time               | PAL: 1/12.5 s to 1/50,000 s<br>NTSC: 1/15 s to 1/50,000 s                                                                                                         |
| Lens                       | 2.8 mm, 3.6 mm, 6 mm fixed lens                                                                                                                                   |
| Horizontal Field of View   | 102° (2.8 mm), 79° (3.6 mm), 51° (6 mm)                                                                                                                           |
| Lens Mount                 | M16                                                                                                                                                               |
| Day & Night                | ICR                                                                                                                                                               |
| WDR (Wide Dynamic Range)   | ≥130 dB                                                                                                                                                           |
| Angle Adjustment (Bracket) | Pan: 0° to 360°, Tilt: 0° to 75°, Rotate: 0° to 360°                                                                                                              |
| <b>Menu</b>                |                                                                                                                                                                   |
| Image Mode                 | STD/HIGH-SAT                                                                                                                                                      |
| AGC                        | Yes                                                                                                                                                               |
| Day/Night Mode             | Auto/Color/BW (Black and White)                                                                                                                                   |
| White Balance              | Auto/Manual                                                                                                                                                       |
| AE (Auto Exposure) Mode    | Global/BLC/HLC/WDR                                                                                                                                                |
| Noise Reduction            | 3D DNR                                                                                                                                                            |
| Language                   | English                                                                                                                                                           |
| Functions                  | Brightness, Sharpness, Mirror, Smart IR                                                                                                                           |
| <b>Interface</b>           |                                                                                                                                                                   |
| Video Output               | Switchable TVI/AHD/CVI/CVBS                                                                                                                                       |
| <b>General</b>             |                                                                                                                                                                   |
| Operating Conditions       | -40 °C to 60 °C (-40 °F to 140 °F), humidity: 90% or less (non-condensing)                                                                                        |
| Power Supply               | 12 VDC ± 25%<br><i>*You are recommended to use one power adapter to supply the power for one camera.</i>                                                          |
| Power Consumption          | Max. 4.2 W                                                                                                                                                        |
| Protection Level           | IP67                                                                                                                                                              |
| Material                   | Metal                                                                                                                                                             |
| IR Range                   | Up to 30 m                                                                                                                                                        |
| Communication              | HIKVISION-C                                                                                                                                                       |
| Dimensions                 | 90 mm × 79.37 mm (3.54" × 3.12")                                                                                                                                  |
| Weight                     | Approx. 310 g (0.68 lb.)                                                                                                                                          |

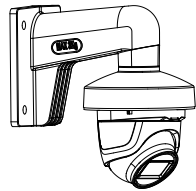
**Order Model**

DS-2CE76U7T-ITMF

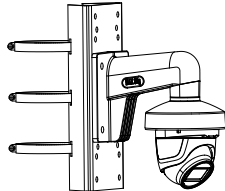
**Dimension**



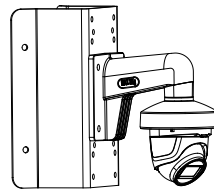
**Accessory**



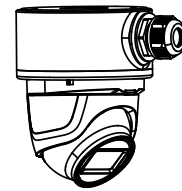
DS-1272ZJ-110-TRS  
Wall Mount



DS-1275ZJ-SUS  
Vertical Pole Mount



DS-1276ZJ-SUS  
Corner Mount



DS-1280ZJ-XS  
Junction Box