

## DS-2CD2146G1-I(S) AcuSense 4 MP IR Fixed Dome Network Camera



### Key Features

- Max. 2688 × 1520 @ 30fps
- 2.8 mm/4 mm/6 mm fixed lens
- H.265, H.264
- 120dB WDR
- False alarm filter by target classification
- Powered by Darkfighter
- 12 VDC & PoE (802.3af, class 3)
- IR range: Up to 30 m
- Support on-board storage, up to 128 GB
- IP67, IK10
- BLC/3D DNR/ROI
- Color: 0.007 Lux @ (F1.2, AGC ON), 0.012 Lux @ (F1.6, AGC ON)



## Specification

| <b>Camera</b>               |   |
|-----------------------------|---|
| Image Sensor                | 1/2.7" Progressive Scan CMOS  |
| Min. Illumination           | Color: 0.007 Lux @ (F1.2, AGC ON), 0.012 Lux @ (F1.6, AGC ON)   |
| Shutter Speed               | 1/3 s to 1/100,000 s  |
| Slow Shutter                | Yes   |
| Focal length                | 2.8/4/6 mm  |
| Focus                       | Fixed   |
| Aperture                    | F1.6  |
| FOV                         | 2.8 mm, horizontal FOV: 104°, vertical FOV: 58°, diagonal FOV: 124°<br>4 mm, horizontal FOV: 83°, vertical FOV: 44°, diagonal FOV: 99°<br>6 mm, horizontal FOV: 51°, vertical FOV: 28°, diagonal FOV: 58° |
| Lens Mount                  | M12   |
| Auto-Iris                   | No  |
| Day & Night                 | IR cut filter   |
| DNR                         | 3D DNR  |
| Wide Dynamic Range          | 120dB   |
| 3-Axis Adjustment           | Pan: 0° to 355°, tilt: 0° to 75°, rotate: 0° to 355°  |
| <b>IR</b>                   |   |
| IR Range                    | Up to 30 m  |
| Wavelength                  | 850 nm  |
| <b>Compression Standard</b> |   |
| Video Compression           | Main stream: H.265/H.264<br>Sub stream: H.265/H.264/MJPEG   |
| H.264 Type                  | Main Profile/High Profile   |
| H.264+                      | No  |
| H.265 Type                  | Main Profile  |
| H.265+                      | No  |
| Video Bit Rate              | 32 Kbps to 16 Mbps  |
| SVC                         | H.265 encoding and H.264 encoding support   |
| <b>Image</b>                |   |
| Max. Resolution             | 2688 × 1520   |
| Main Stream                 | 50Hz: 25 fps (2688 × 1520, 1920 × 1080, 1280 × 720)<br>60Hz: 30 fps (2688 × 1520, 1920 × 1080, 1280 × 720)  |
| Sub Stream                  | 50Hz: 25 fps (704 × 576, 640 × 480, 352 × 288)<br>60Hz: 30 fps (704 × 480, 640 × 480, 352 × 240)  |
| Image Enhancement           | BLC/3D DNR  |
| Image Settings              | Saturation, brightness, contrast, sharpness, AGC, white balance adjustable by client software or web browser  |
| ROI (Region of Interest)    | Support 1 fixed region for main stream and sub stream separately  |
| Day/Night Switch            | Day/Night/Auto/Schedule/Triggered by Alarm In(-S)   |
| <b>Audio (-S)</b>           |   |
| Environment Noise Filtering | Yes   |
| Sampling Rate               | 8kHz/16kHz  |
| Audio Compression           | G.711/G.722.1/G.726/MP2L2/PCM   |

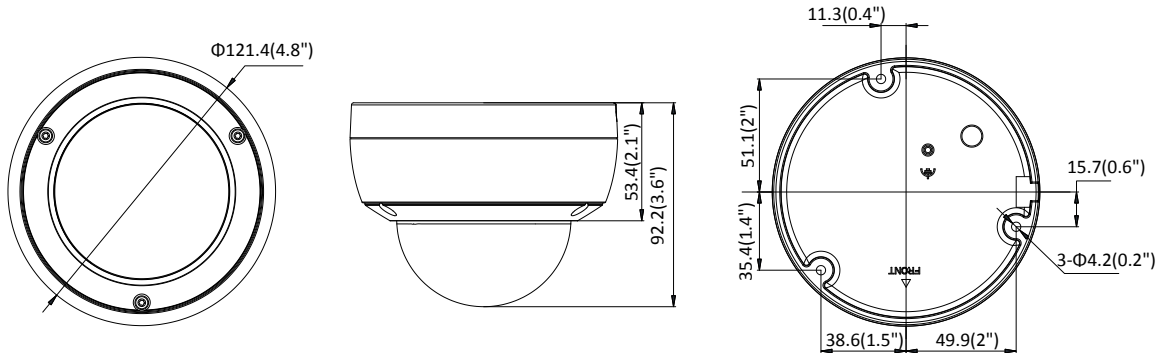
|                          |  |
|--------------------------|--|
| Audio Bit Rate           | 64Kbps(G.711)/16Kbps(G.722.1)/16Kbps(G.726)/32-160Kbps(MP2L2)  |
| <b>Network</b>           |  |
| Network Storage          | Support micro SD/SDHC/SDXC card (128G) local storage, NAS (NFS,SMB/CIFS), ANR  |
| Alarm Trigger            | Tampering alarm, network disconnected, IP address conflict, illegal login, HDD full, HDD error   |
| Protocols                | TCP/IP, ICMP, HTTP, HTTPS, FTP, DHCP, DNS, DDNS, RTP, RTSP, RTCP, PPPoE, NTP, UPnP, SMTP, SNMP, IGMP, 802.1X, QoS, IPv6, UDP, Bonjour  |
| General Function         | One-key reset, anti-filter   |
| Firmware Version         | V5.5.61  |
| API                      | ONVIF (PROFILE S, PROFILE G), ISAPI  |
| Simultaneous Live View   | Up to 6 channels   |
| User/Host                | Up to 32 users<br>3 levels: Administrator, Operator and User   |
| Client                   | iVMS-4200, Hik-Connect, iVMS-5200, iVMS-4500   |
| Web Browser              | IE8+, Chrome 31.0-44, Firefox 30.0-51, Safari 8.0+   |
| <b>Interface</b>         |  |
| Communication Interface  | 1 RJ45 10M/100M self-adaptive Ethernet port  |
| On-board Storage         | Built-in micro SD/SDHC/SDXC slot, up to 128 GB   |
| Reset Button             | Yes  |
| Audio (-S)               | 1 audio input (line in/mic in), 1 audio output, mono sound   |
| Alarm (-S)               | 1 alarm input, 1 alarm output  |
| <b>Smart Feature-set</b> |  |
| Behavior Analysis        | Line crossing detection, intrusion detection, region entrance detection, region exit detection, false alarm filter by target classification<br>When H265+, three streams or motion detection is enabled, the behavior analyses (including line crossing detection, intrusion detection, region entrance detection and region exiting detection) are not supported. |
| <b>General</b>           |  |
| Operating Conditions     | -30 °C to +50 °C (-22 °F to +122 °F), humidity 95% or less (non-condensing)  |
| Power Supply             | 12 VDC ± 25%, 5.5 mm coaxial power plug<br>PoE (802.3af, class 3)  |
| Power Consumption        | 12 VDC, 0.7 A, max: 8.5 W<br>PoE (802.3af, 36 V to 57 V), 0.3 A to 0.2 A, max: 10 W  |
| Protection Level         | IK10, IP67 (If the camera is installed outdoor, the bracket DS-1253ZJ-M should be used together with other pendant mounting bracket or wall mounting bracket to reduce IR reflective in the rainy day)   |
| Material                 | Front cover: metal, back cover: metal  |
| Dimensions               | Camera: Φ 121.4 × 92.2 mm (Φ 4.8" × 3.6")  |
| Weight                   | Camera: 600 g (1.3 lb.)<br>With package: 760 g (1.7 lb.)   |

## Available Model

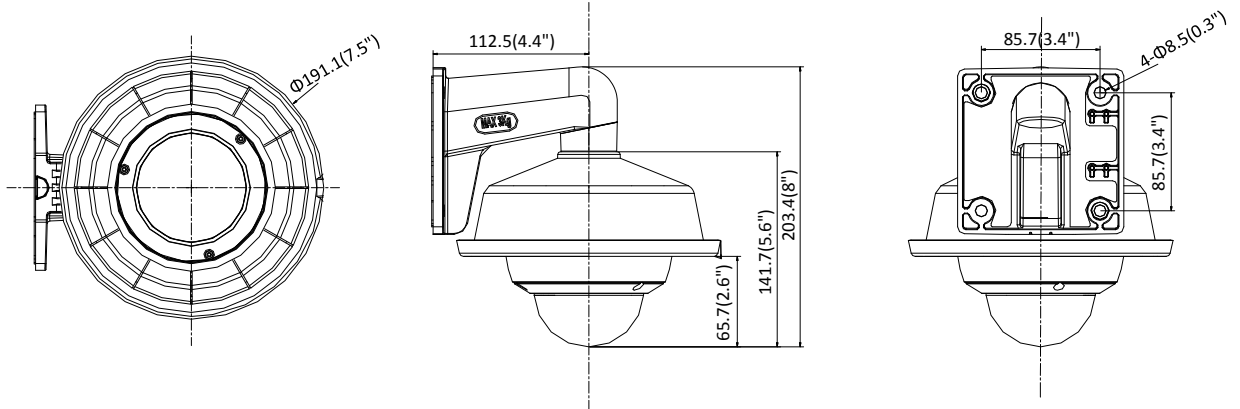
DS-2CD2146G1-I (2.8/4/6 mm), DS-2CD2146G1-IS (2.8/4/6 mm)

## Dimension

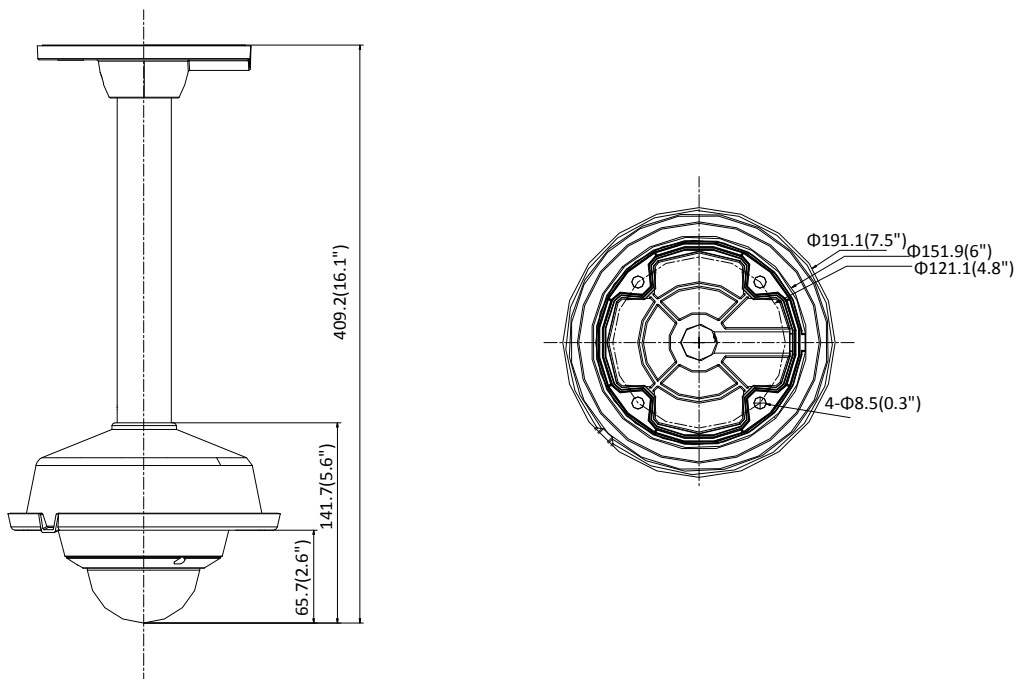
Camera:



Wall Mounting with the Bracket (DS-1272ZJ-120 and DS-1253ZJ-M):



Pendant Mounting with the Bracket (DS-1271ZJ-120 and DS-1253ZJ-M):



Unit: mm(inch)

## Accessory



DS-1272ZJ-120  
Wall Mount



DS-1272ZJ-120B  
Wall Mount



DS-1276ZJ-SUS  
Corner Mount



DS-1271ZJ-120  
Pendant Mount



DS-1253ZJ-M  
Rain Shade

Distributed by



## HIKVISION®

### Headquarters

No.555 Qianmo Road, Binjiang District,  
Hangzhou 310051, China  
T +86-571-8807-5998  
overseasbusiness@hikvision.com

**Hikvision USA**  
T +1-909-895-0400  
sales.usa@hikvision.com

**Hikvision Australia**  
T +61-2-8599-4233  
salesau@hikvision.com

**Hikvision India**  
T +91-22-28469900  
sales@pramahikvision.com

**Hikvision Canada**  
T +1-866-200-6690  
sales.canada@hikvision.com

**Hikvision Thailand**  
T +662-275-9949  
sales.thailand@hikvision.com

**Hikvision Europe**  
T +31-23-5542770  
sales.eu@hikvision.com

**Hikvision Italy**  
T +39-0438-6902  
info.it@hikvision.com

**Hikvision Brazil**  
T +55 11 3318-0050  
Latam.support@hikvision.com

**Hikvision Turkey**  
T +90 [216]521 7070- 7074  
sales.tr@hikvision.com

**Hikvision Malaysia**  
T +601-7652-2413  
sales.my@hikvision.com

**Hikvision UK & Ireland**  
T +01628-902140  
sales.uk@hikvision.com

**Hikvision South Africa**  
Tel: +27 (10) 0351172  
sale.africa@hikvision.com

**Hikvision France**  
T +33(0)1-85-330-450  
info.fr@hikvision.com

**Hikvision Kazakhstan**  
T +7-727-9730667  
nikia.panfilov@hikvision.ru

**Hikvision Vietnam**  
T +84-974270888  
sales.vt@hikvision.com

**Hikvision UAE**  
T +971-4-4432090  
salesme@hikvision.com

**Hikvision Singapore**  
T +65-6684-4718  
sg@hikvision.com

**Hikvision Spain**  
T +34-91-737-16-55  
info.es@hikvision.com

**Hikvision Tashkent**  
T +99-87-1238-9438  
uzb@hikvision.ru

**Hikvision Hong Kong**  
T +852-2151-1761  
info.hk@hikvision.com

**Hikvision Russia**  
T +7-495-669-67-99  
sateru@hikvision.com

**Hikvision Korea**  
T +82-[0]31-731-8817  
sales.korea@hikvision.com

**Hikvision Poland**  
T +48-22-460-01-50  
info.pl@hikvision.com

**Hikvision Indonesia**  
T +62-21-2933759  
Sales.Indonesia@hikvision.com

**Hikvision Colombia**  
sales.colombia@hikvision.com

05056120181225