

CL0001 & CL0001-12-8 CABINET LOCK INSTALLATION MANUAL

INTRODUCTION:

The **CL0001** cabinet lock is designed to fit into cabinets and lockers with swing or sliding doors. The lock is retractable between the **POWER TO LOCK** (see FIG1) and **POWER TO OPEN** (see FIG2), two kinds of operation modes.

TWO VERSIONS AVAILABLE:

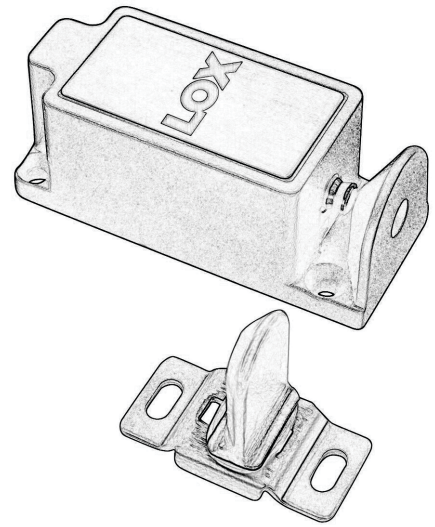
CL0001 which has a 200mm connection cable and operates on 12 or 24 volts DC.

CL0001-12-8 which operates on 12 volt DC only and has an 8 metre connection cable.

This product is typically used on a bank of lockers.

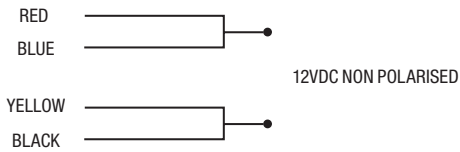
POWER INPUT 12VDC or 24VDC SUPPLY (CL0001 ONLY)

NOTE: THERE IS POLARITY ON POWER INPUT



12VDC WIRING DIAGRAM

12VDC (190mA)



24VDC WIRING DIAGRAM

24VDC (90mA)

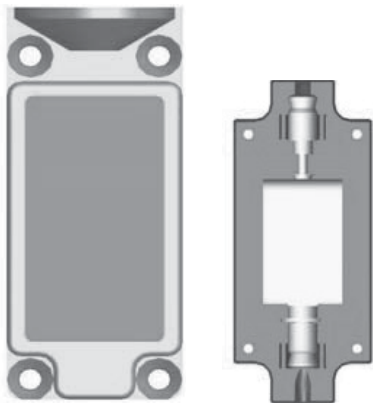
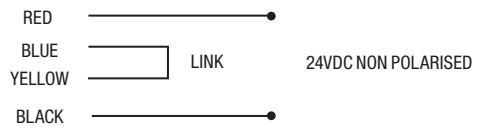


FIGURE 1: PTL

INTERCHANGE BETWEEN PTL AND PTO

1. Remove four screw from bottom
2. Remove the bottom case
3. Replace the wire in opposite side
4. Turn the bottom case 180° horizontally
5. Replace the bottom case
6. Replace the four screws

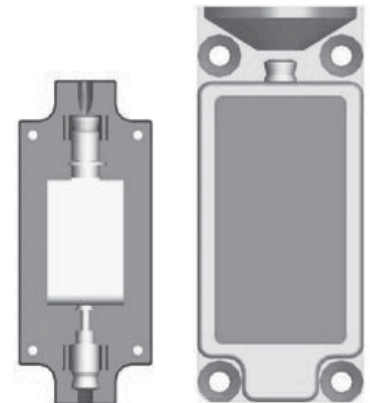
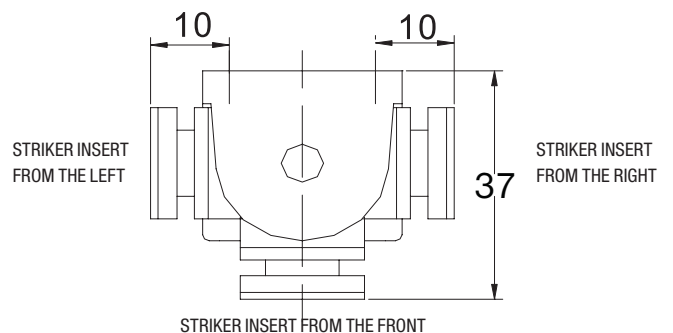
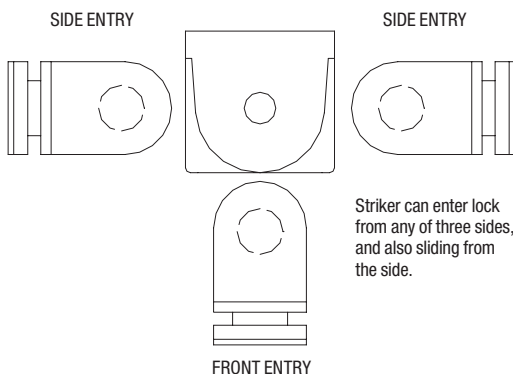
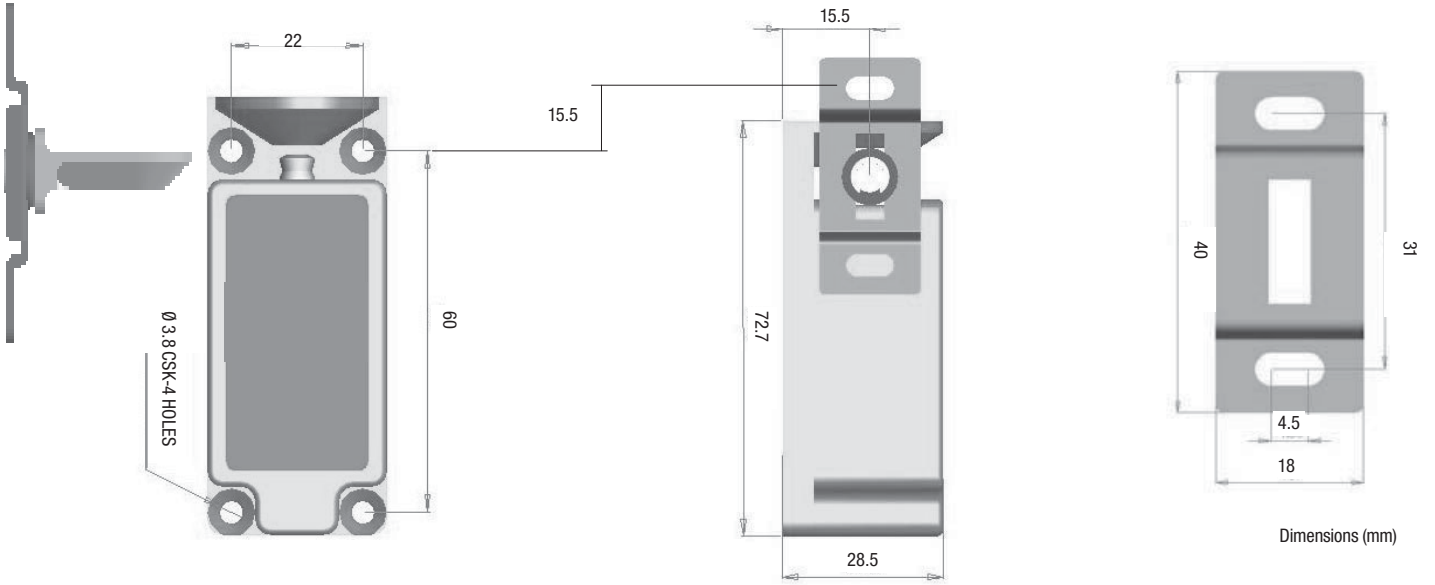


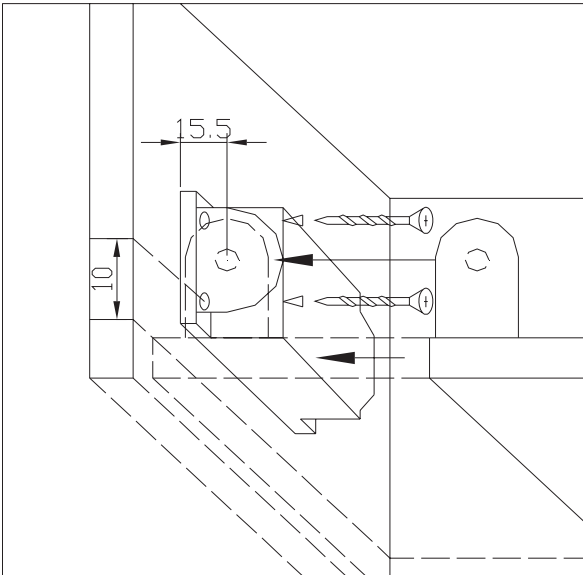
FIGURE 2: PTO



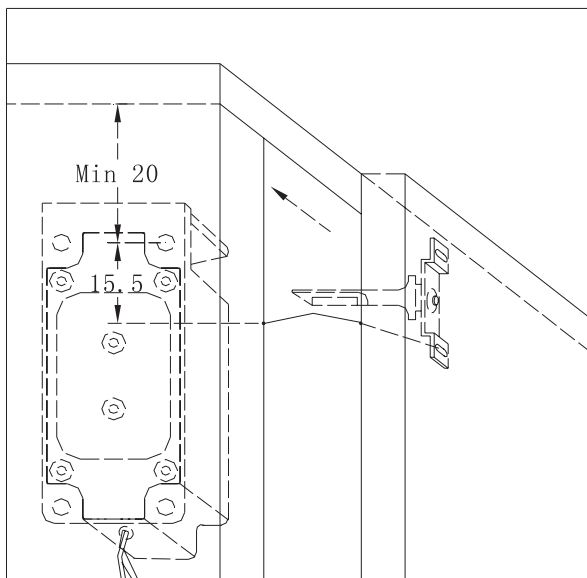
CL0001 & CL0001-12-8 CABINET LOCK INSTALLATION MANUAL



SLIDING DOORS

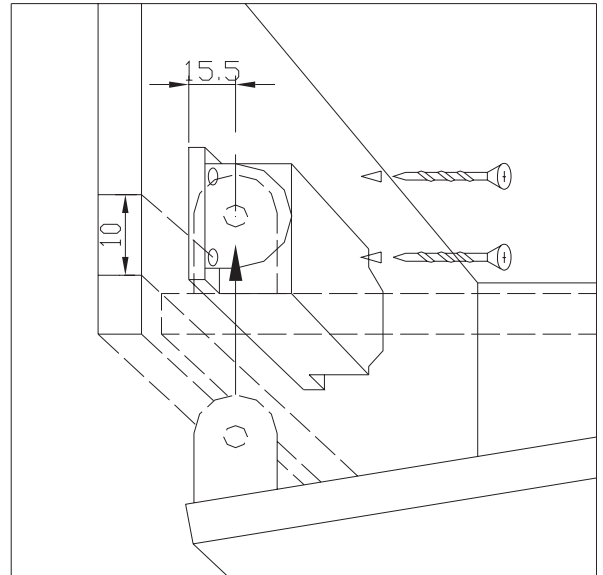


FIT DOOR LOCK FIRST

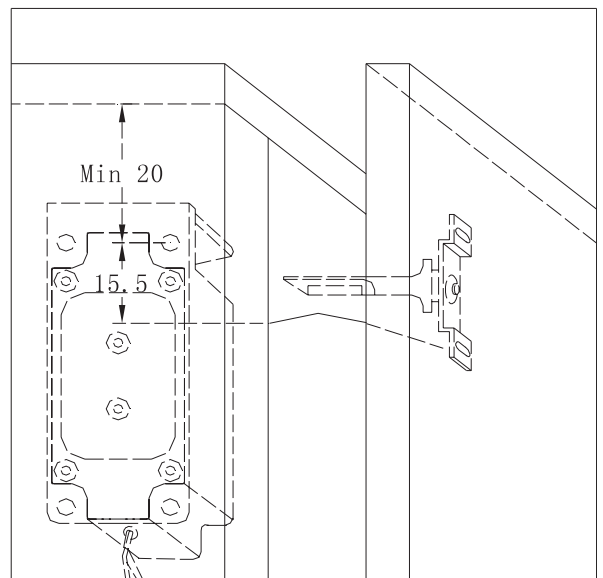


FIT STRIKER SECOND

SWING DOORS



FIT DOOR LOCK FIRST



FIT STRIKER SECOND