

3570 Series Electric Mortice Lock

Key Features

Designed with flexibility in mind, the one lock can cover all functions and is easily configured on site for the required application.

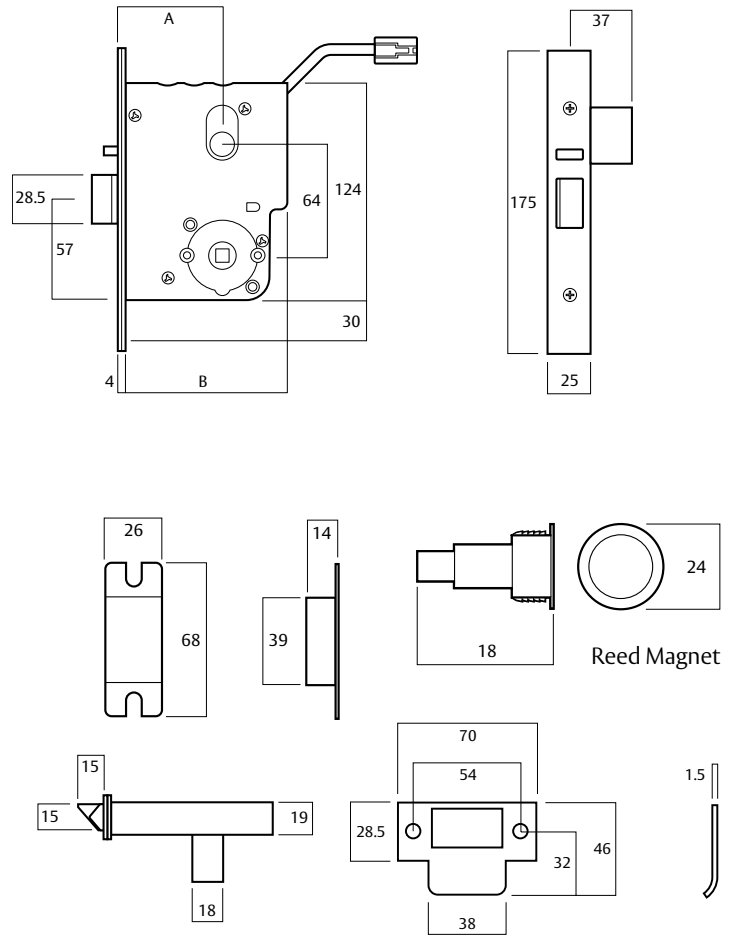
Available in non monitored and monitored versions.

Monitoring Features:

- Dead latched and Locked
- Door position/Reed switch
- Dual key override monitoring
- Request to exit/REX
- LED indication

Field Changeable Settings:

- Fail Safe/Fail Secure configuration.
- Multi-voltage - will work on 12-24 Vdc systems.
- Handing - left hand and right hand doors
- Selection of free lever or locked lever on both sides of the door
- Key override monitoring either side of the door
- Monitoring contacts – normally closed, normally open (for key override and request to exit only)



3570 Series Electric Mortice Lock

Dimension	Backset		
A	60	89	127
B	100	129	167

Specification Statement

The lock should be capable of operation on voltages between 12 – 24Vdc and have a current consumption not more than 80mA (holding) @12Vdc and 50mA (holding) @24Vdc. Monitored locks must be capable of monitoring the following functions: Key override, door position / reed switch, selectable hub / Request to exit and locking bar status. All monitoring outputs must have the ability to be wired independently. All settings – including: fail safe / fail secure, handing, hub selection must be field configurable.

3570 Series Electric Mortice Lock

Ordering Procedure

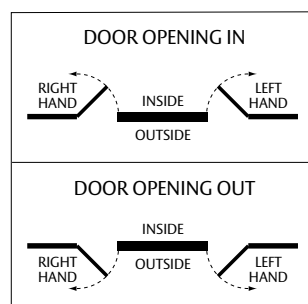
Sample part number 3572ELAM2RSC is made up of several sections. Choose your product by selecting an option from each section.

Backset	Series	Lock Functions	Electric Lock	Safety Function	Sub Function	Handing	Finish
3	5	72	EL	A	M2	R	SC
Backset		Lock Function		Safety Function		Handing	
60 mm	3	Primary Lock	70	Fail Safe (Power to lock)	A	Right Handed	R
89 mm	4	Vestibule Lock	72	Fail Secure (Power to unlock)	E	Left Handed	L
127 mm	5	Combination Lock	74			Finish	
Series		Electric Lock		Sub Function		Satin Chrome	SC
Synergy	5	Electric Lock	EL	Non-monitored Lock (0 Cylinders)	N0		
				Non-monitored Lock (1 Cylinders)	N1		
				Non-monitored Lock (1 Cylinder)	N1		
				Non-monitored Lock (2 Cylinders)	N2		
				Fully monitored Lock including KOM (0 Cylinders)	M0		
				Fully monitored Lock including KOM (1 Cylinder)	M1		
				Fully monitored Lock including KOM (2 Cylinders)	M2		

Ordering Notes

- 3570 primary locks can be set to achieve all lock functions post purchase, and should be the preferred option when ordering.
- Customised locks are available upon request and incur an additional surcharge and 10 day lead time.
- See over page for primary lock part numbers.

Handing Chart



Backset	Nominate backset as required, e.g. 60mm	3
Series	Synergy Series, e.g. 35	35
Lock Function	Select function, e.g. Vestibule Lock	3572
Electrical Variant	Indicate that this is an Electric Lock	3582EL
Safety Function	Select whether lock should be Fail Secure or Fail Safe, e.g. Fail Safe	3572ELA
Monitoring and Key Override Options	Select monitoring and cylinders to be supplied, e.g. Monitored Lock with two cylinders	3572ELAM2
Handing	Determine left or right handing, e.g. Right Handed	3572ELAM2R
Finish	Specify appropriate finish, e.g. Satin Chrome	3572ELAM2RSC

3570 Series Electric Mortice Lock

Primary Electric Mortice Lock Ordering Procedure

Part Number	Cylinders	Product Description - Non-Monitored
3570ELN0SC	No Cylinder	Electric Mortice Lock 3570 Primary Lock 60mm Backset Non Monitored
3570ELN1SC	1 Cylinder	Electric Mortice Lock 3570 Primary Lock 60mm Backset Non Monitored
3570ELN2SC	2 Cylinders	Electric Mortice Lock 3570 Primary Lock 60mm Backset Non Monitored
4570ELN0SC	No Cylinder	Electric Mortice Lock 4570 Primary Lock 89mm Backset Non Monitored
4570ELN1SC	1 Cylinder	Electric Mortice Lock 4570 Primary Lock 89mm Backset Non Monitored
4570ELN2SC	2 Cylinders	Electric Mortice Lock 4570 Primary Lock 89mm Backset Non Monitored
5570ELN0SC	No Cylinder	Electric Mortice Lock 5570 Primary Lock 127mm Backset Non Monitored
5570ELN1SC	1 Cylinder	Electric Mortice Lock 5570 Primary Lock 127mm Backset Non Monitored
5570ELN2SC	2 Cylinders	Electric Mortice Lock 5570 Primary Lock 127mm Backset Non Monitored
Part Number	Cylinders	Product Description - Monitored (hub, deadlatch, solenoid, door position, key override monitoring all as standard)
3570ELM0SC	No Cylinder	Electric Mortice Lock 3570 Primary Lock 60mm Backset Monitored
3570ELM1SC	1 Cylinder	Electric Mortice Lock 3570 Primary Lock 60mm Backset Monitored
3570ELM2SC	2 Cylinders	Electric Mortice Lock 3570 Primary Lock 60mm Backset Monitored
4570ELM0SC	No Cylinder	Electric Mortice Lock 4570 Primary Lock 89mm Backset Monitored
4570ELM1SC	1 Cylinder	Electric Mortice Lock 4570 Primary Lock 89mm Backset Monitored
4570ELM2SC	2 Cylinders	Electric Mortice Lock 4570 Primary Lock 89mm Backset Monitored
5570ELM0SC	No Cylinder	Electric Mortice Lock 5570 Primary Lock 127mm Backset Monitored
5570ELM1SC	1 Cylinder	Electric Mortice Lock 5570 Primary Lock 127mm Backset Monitored
5570ELM2SC	2 Cylinders	Electric Mortice Lock 5570 Primary Lock 127mm Backset Monitored

Ordering Notes

- Primary locks can be set post purchase to achieve all desired lock settings e.g. Fail Safe or Fail Secure, left hand or right hand, combination lock (locked both sides) or vestibule lock (locked outside and free lever inside)
- All locks are multi-voltage 12-24Vdc
- 3570 primary locks (std 60mm backset) with no cylinder are stocked items. All other items are made to order, 10 day lead time.

3570 Series Electric Mortice Lock

Accessories - Rebate Kits

Part Numbers	"A"	Finish
3772-RK32CP 3772-RK46CP	32 46	Chrome Plate
3772-RK32PB 3772-RK46PB	32 46	Polished Brass
3772-RK32SS 3772-RK46SS	32 46	Satin Stainless Steel

Accessories - Long Lipped Strikes

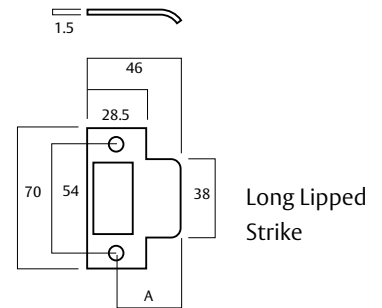
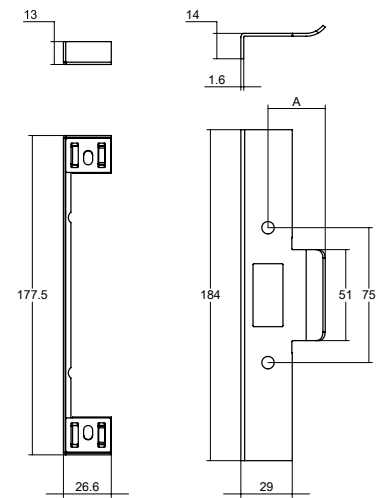
Part Numbers	"A"	Finish
3772-STK43CP 3772-STK47CP	43.5 47.5	Chrome Plate
3772-STK43PB 3772-STK47PB	43.5 47.5	Polished Brass
3772-STK43SS 3772-STK47SS	43.5 47.5	Satin Stainless Steel

Accessories - Cable Accessories

Part Numbers	Finish
SP572-3129	LED assembly to suit 3570/3580 (suits furniture for monitored locks)
SP3570-1055	Extended 7.5M cable (12 wire) to suit 3570 locks
SP3570-5871	9/12 wire adaptor
LC8810	323mm Power Transfer Cable
LC8811	543mm Power Transfer Cable

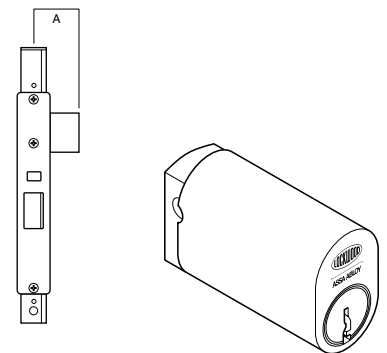
Accessories - Extended Cylinders

"A" Cylinder Projection	Cylinder Length	Recommended Door Thickness
41	37	50 to 60
52	48	60 to 84
64	60	84 to 108
80	76	108 to 132
88	84	132 to 156



Extended Cylinders

Extended cylinders should be considered when door thickness exceeds 50 mm or when the lock is mounted off centre in the door edge. Lockwoods modular cylinder extensions can be used to produce an extended cylinder. Refer to ASSA ABLOY Australia Keying and Restricted Price List for further information.

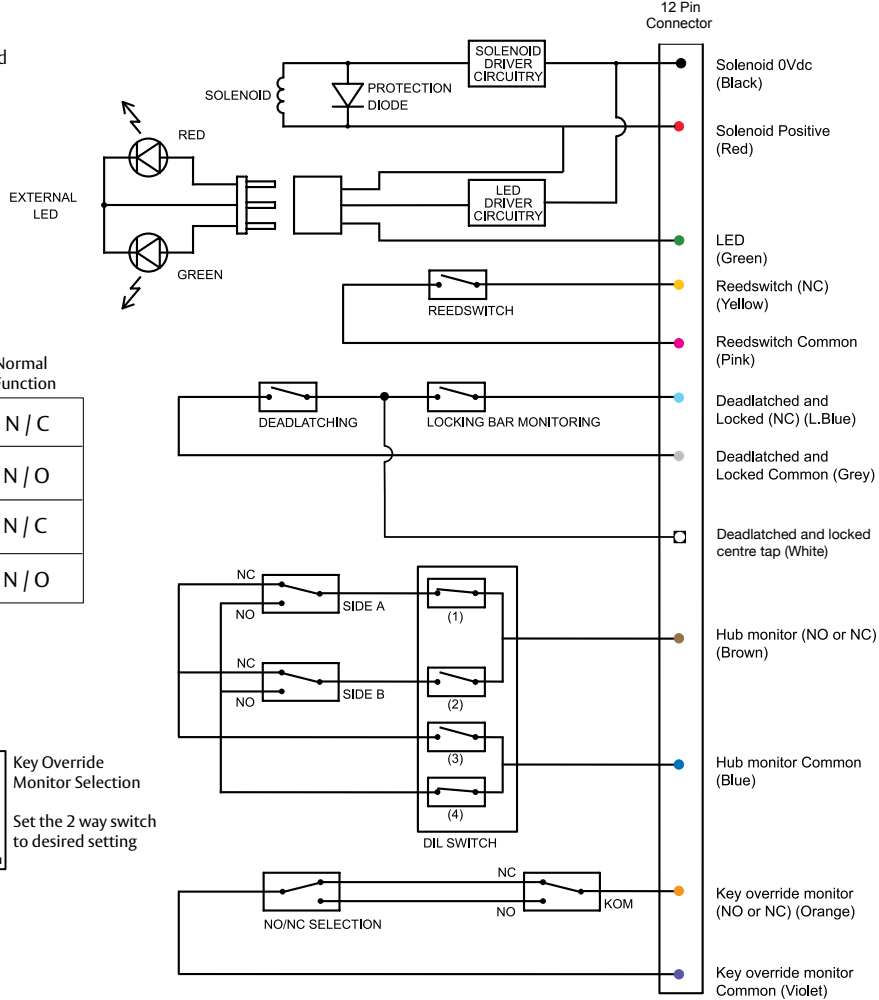


3570 Series Electric Mortise Lock

Electrical Specifications

Circuit Diagram

Note: Diagram depicts fail safe RH opened door, with handle and key in rest state.

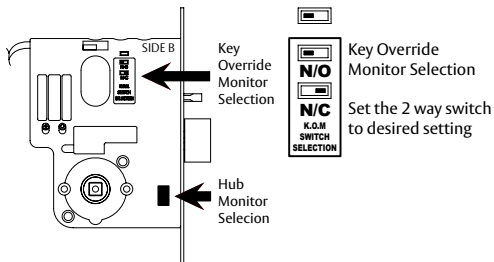


DIL Switch Settings

Hub Monitor

	Switch Number				Lock Side	Normal Function
	1	2	3	4		
ON	■	■	■	■	A	N / C
OFF	□	□	□	□	A	N / O
ON	■	■	■	■	B	N / C
OFF	□	□	□	□	B	N / O

Key Override Monitor Selection



Solenoid Activation

Operating Voltage:

12 - 24Vdc

Operating Current:

500mA (max) 80mA holding @ 12Vdc

275mA (max) 50mA holding @ 24Vdc

For confirmation of the above mentioned operating current, please see installation manual

LED Current

Where LEDs are fitted, add 20mA (max) to total operating current

Monitoring Circuits

Microswitches: 500mA (max) @ 30Vdc each circuit

Reedswitch: 100mA (max) @ 30Vdc

Colour

Function

Black	Solenoid (0Vdc)
Red	Solenoid Positive (12Vdc - 30Vdc)
Green	LED (12Vdc - 30Vdc)
Yellow	Door Closed Reedswitch (NC)
Pink	Door Closed Reedswitch (Common)
Light Blue	Deadlatched and Locked (NC)
Grey	Deadlatched and Locked (Common)
White	Deadlatched and Locked Centre Tap
Brown	Hub Monitor (NO or NC)
Blue	Hub Monitor (Common)
Orange	Key Override Monitor (NO or NC)
Violet	Key Override Monitor (Common)