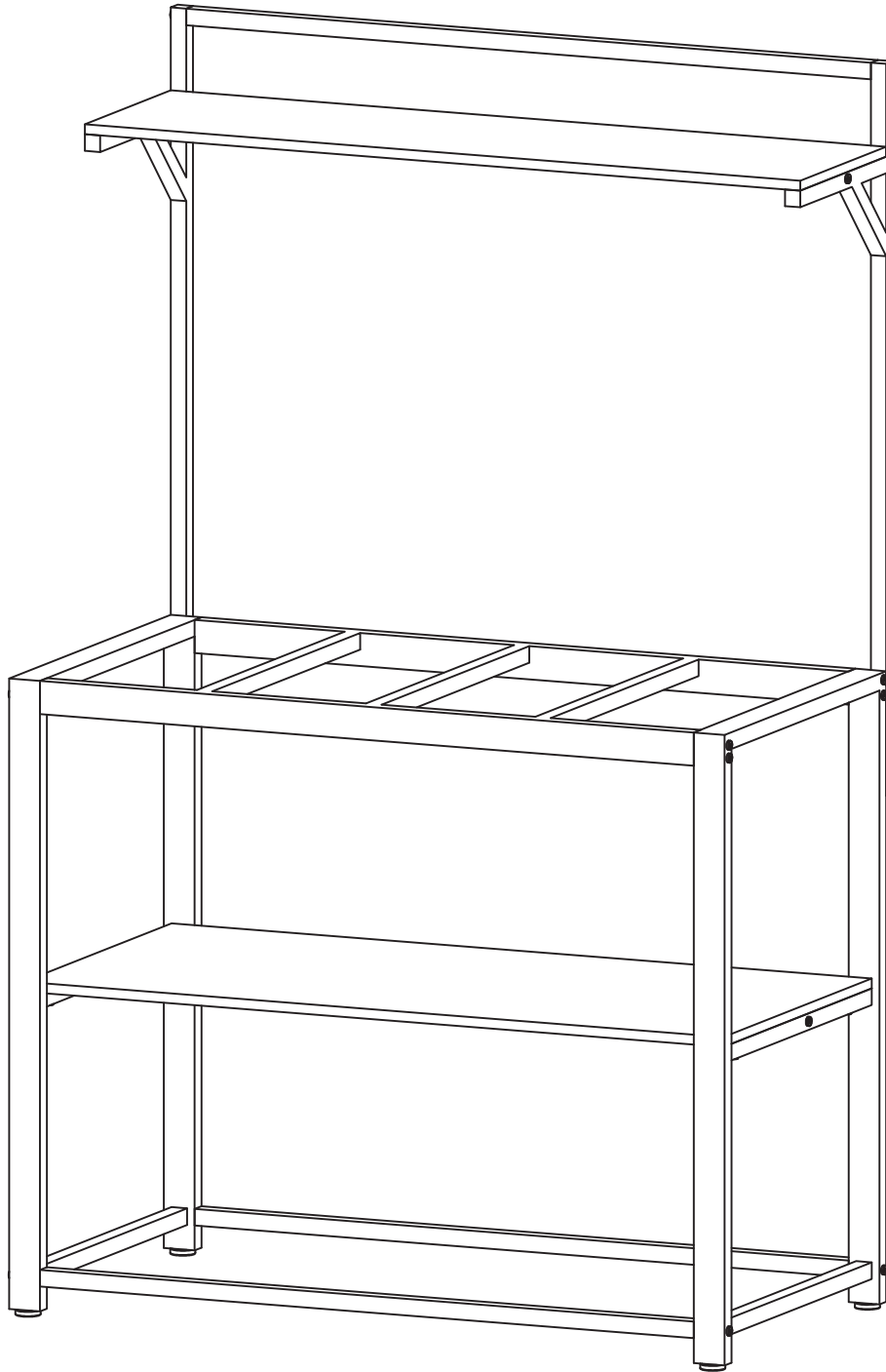




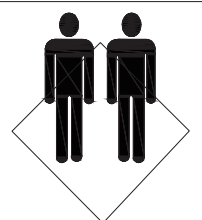
# GOOD LIFE

## Assembly Instructions

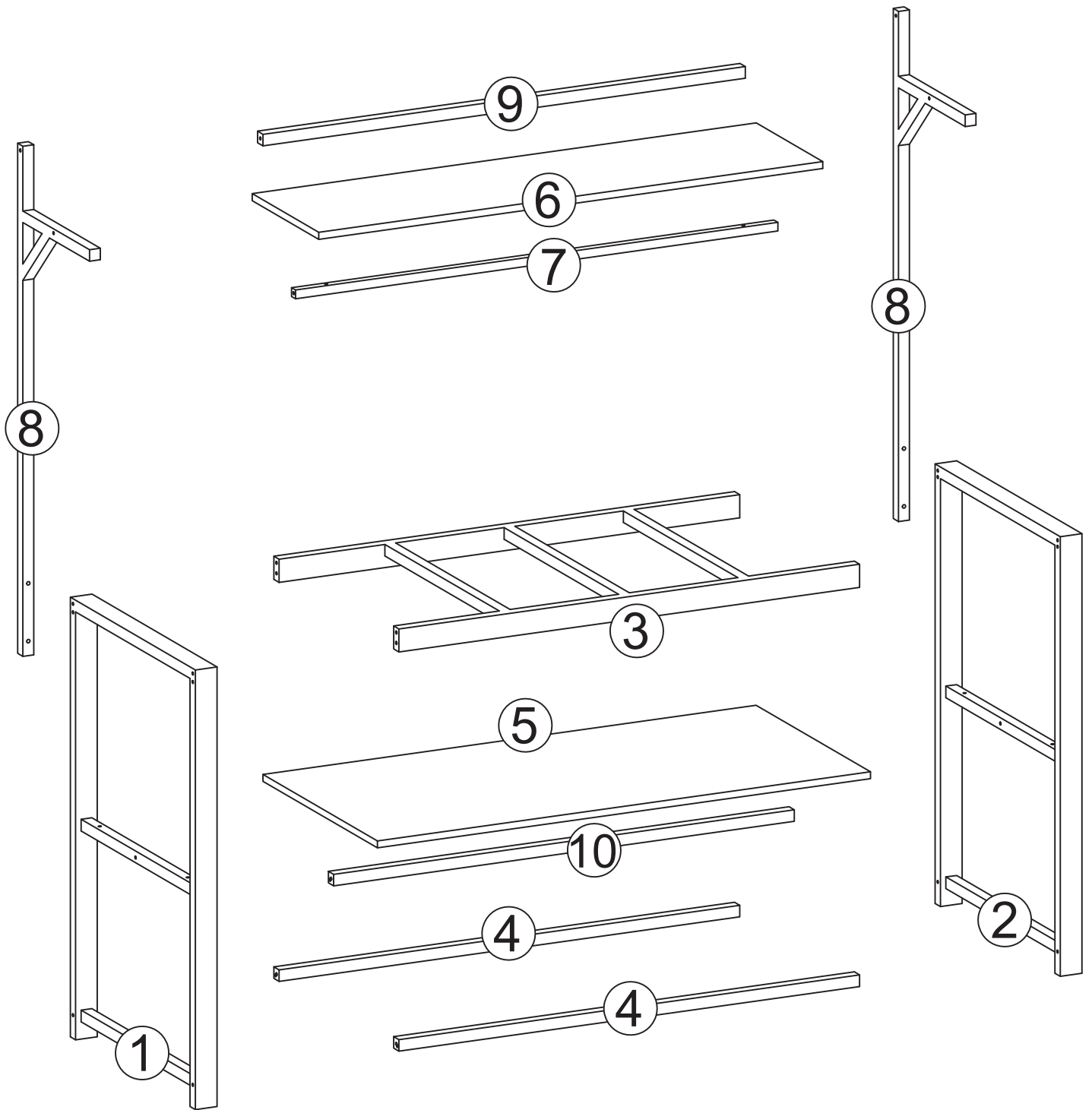
PET793



We come with the necessary tools for assembly  
but for faster assembly, a power drill is recommended



ASSEMBLED BY 2ADULTS



Ax12+1pcs



M6x55mm

Bx6+1pcs



M6x35mm

Cx8+1pcs



M6x30mm

Dx4+1pcs



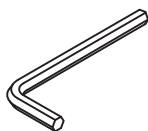
M6x25mm

Ex4pcs



M6x60mm

Fx1pc



Gx2pcs

G1



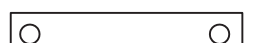
M6x30mm

G2

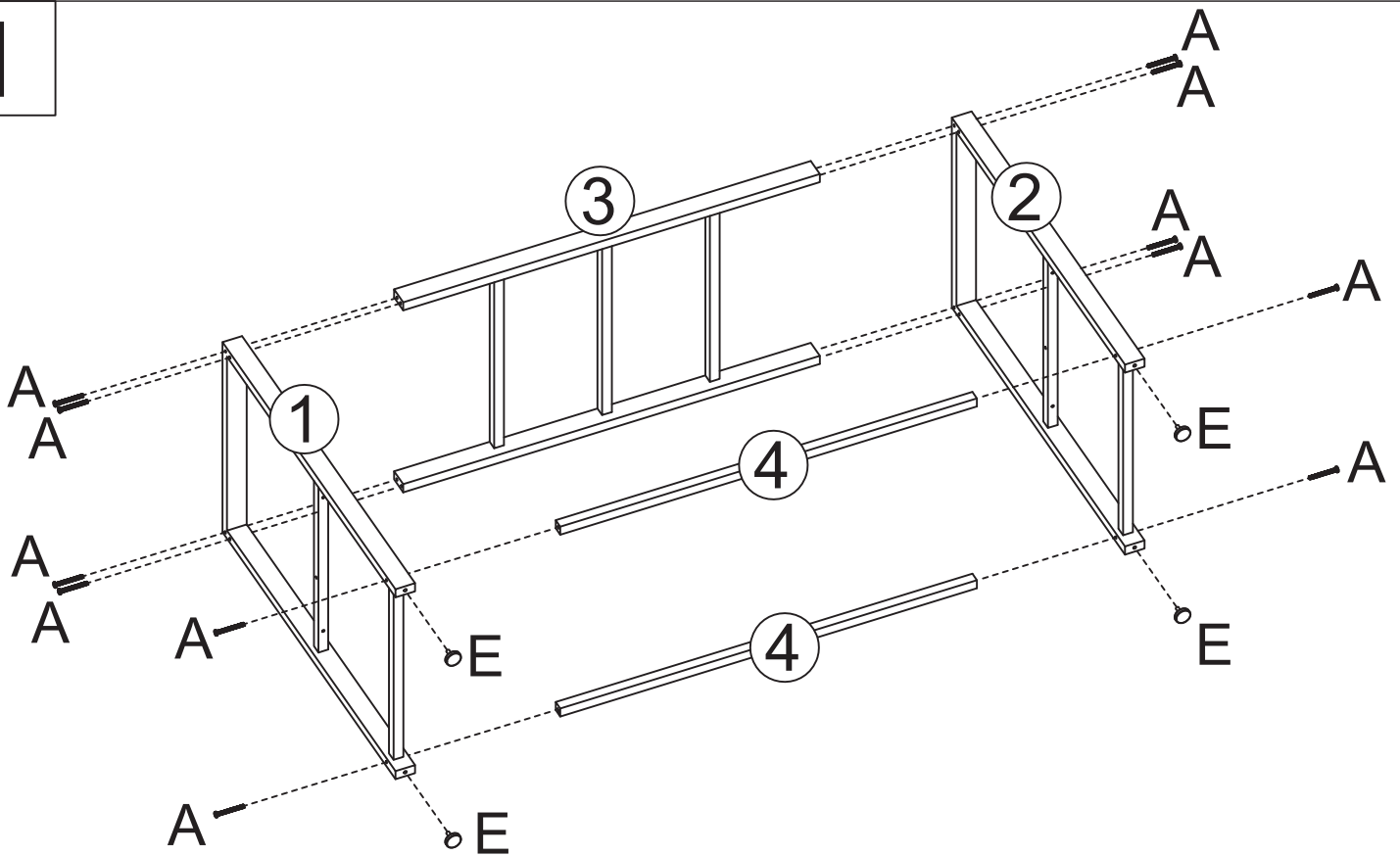


M4x35mm

G3



1



Attach two Part #4 to Part #1 by using D\*4 bolts as shown

**Attention: three circled parts face the same side when assembly**

F X 1



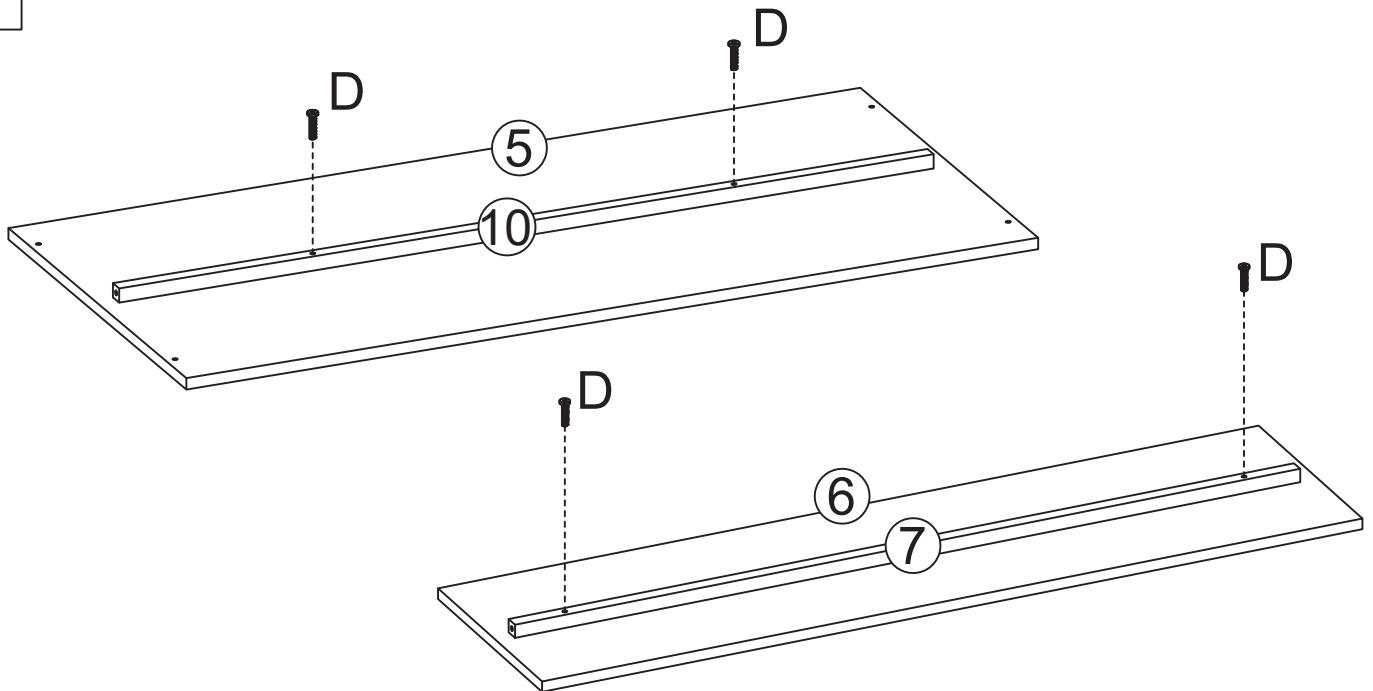
E X 4



A X 12



2



Attach Part #3 to assembled unit by using C\*4 D\*4 bolts as shown.  
Meanwhile, strengthen the tabletop by using C\*4 as shown.

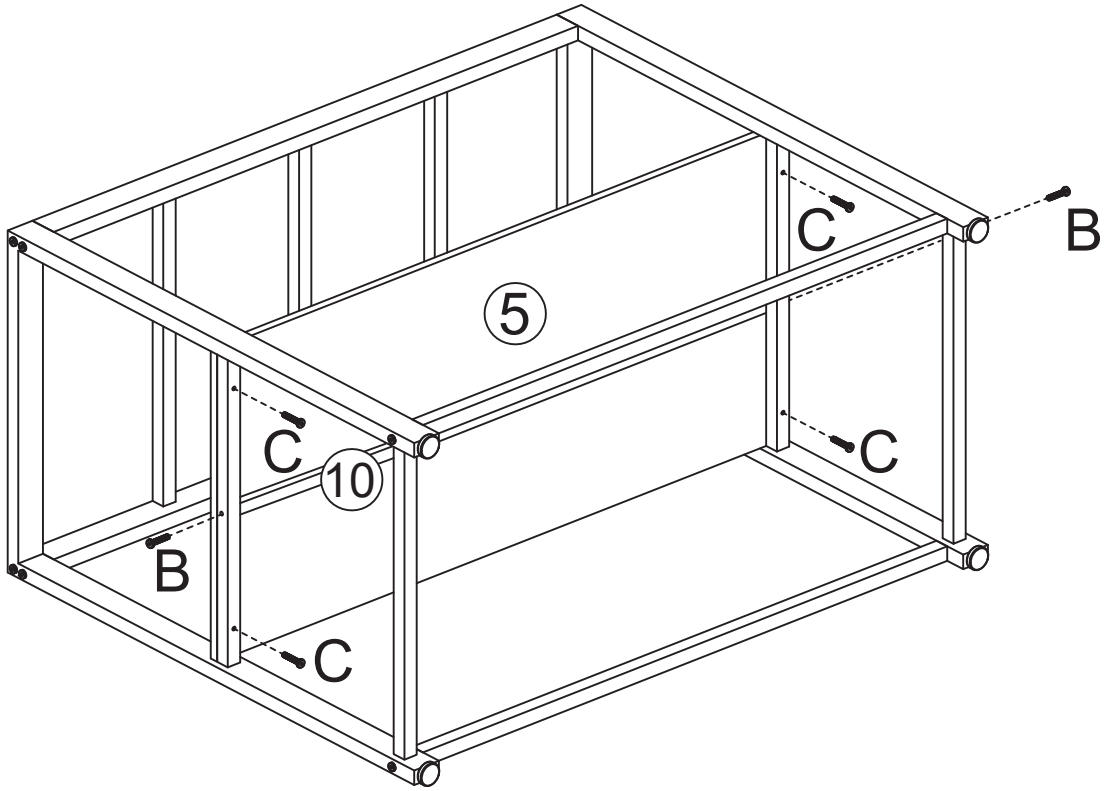
F X 1



D X 4



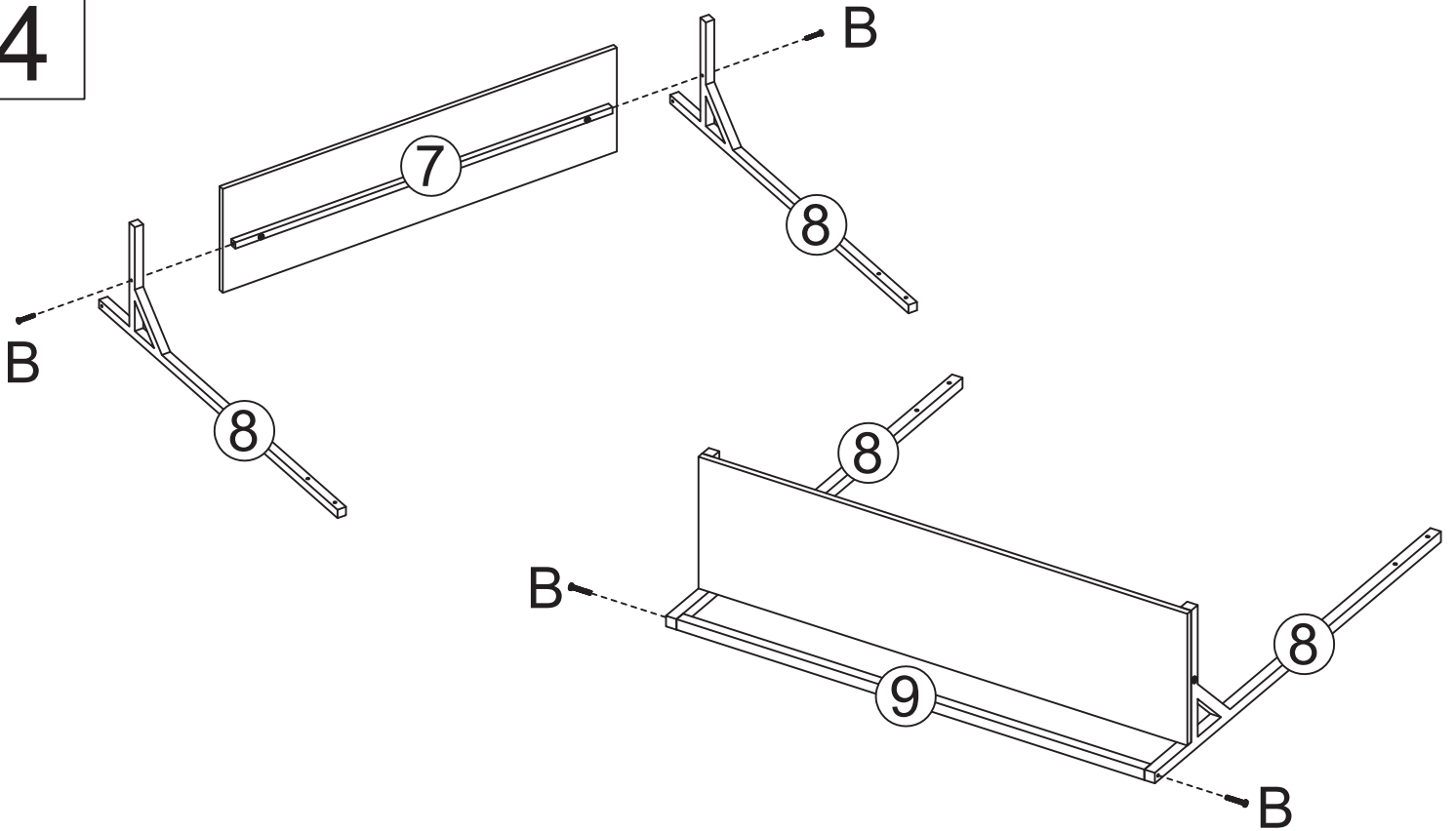
3



Install Part #2 to assembled unit by using C\*4 bolts as shown



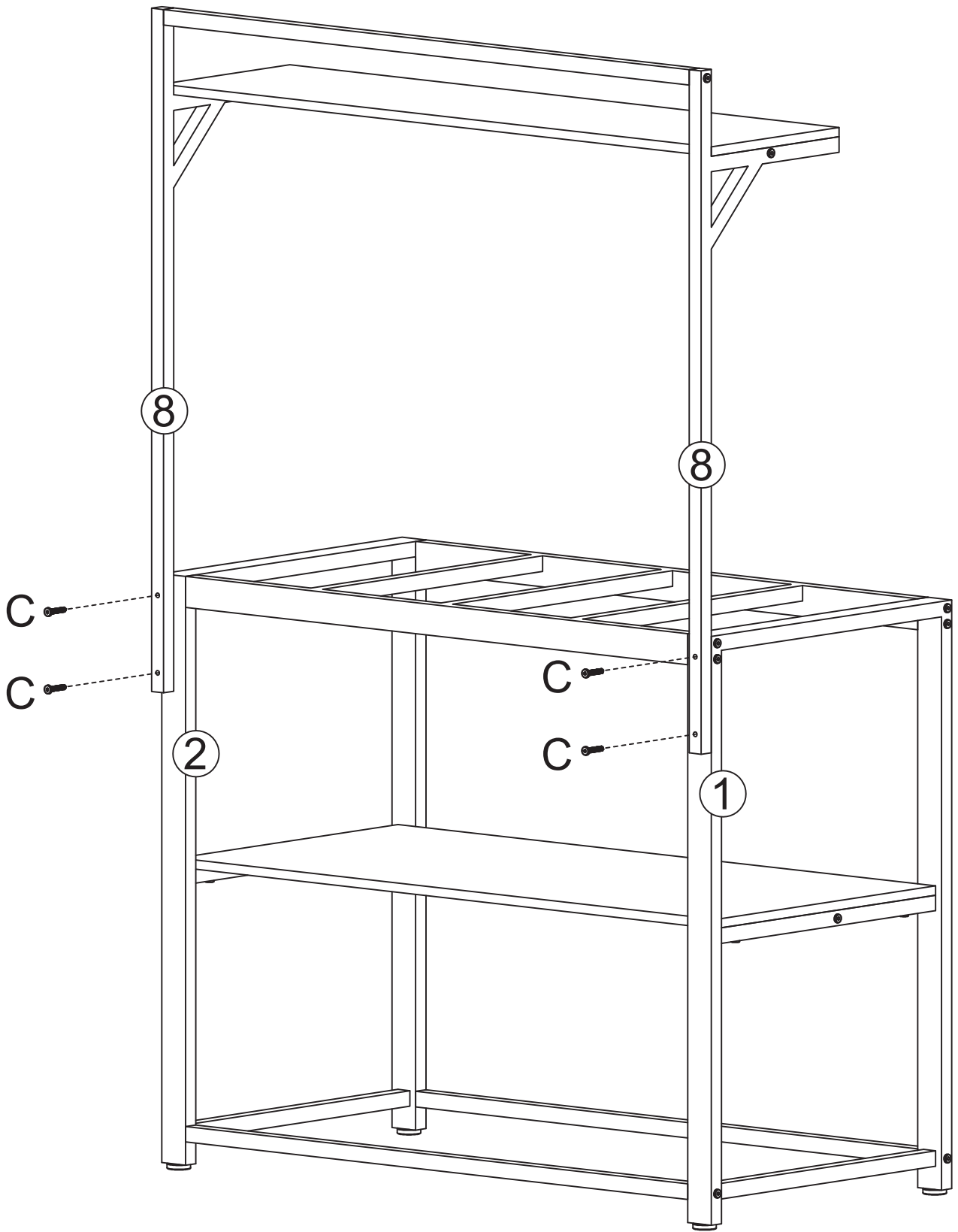
4



Attach 4 adjustable feet G\*4 as shown



5

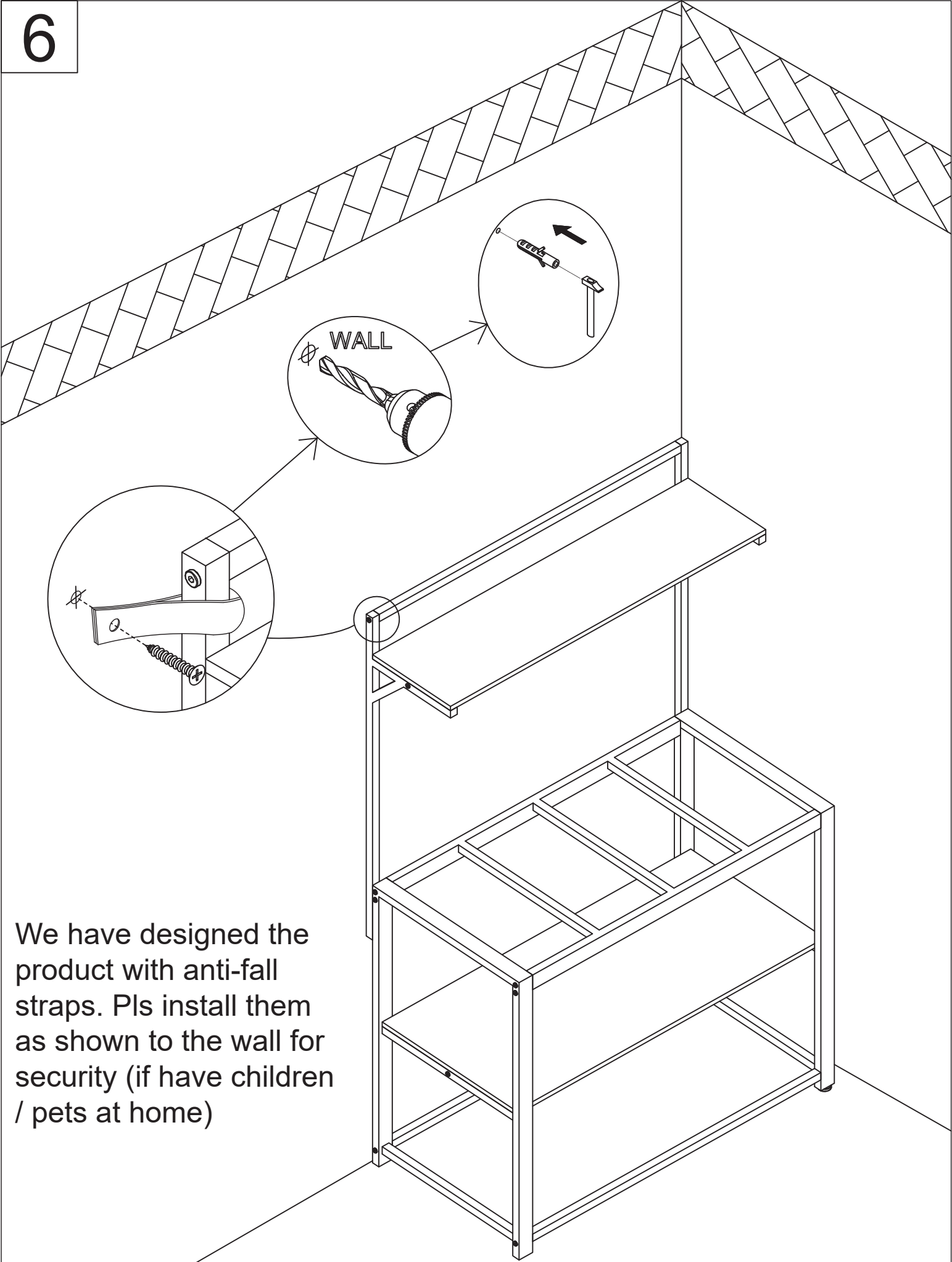


Connect Part #9 to Part#8 by using  
C\*2 bolts as shown

FX 1 

C X 4 

6



We have designed the product with anti-fall straps. Pls install them as shown to the wall for security (if have children / pets at home)

