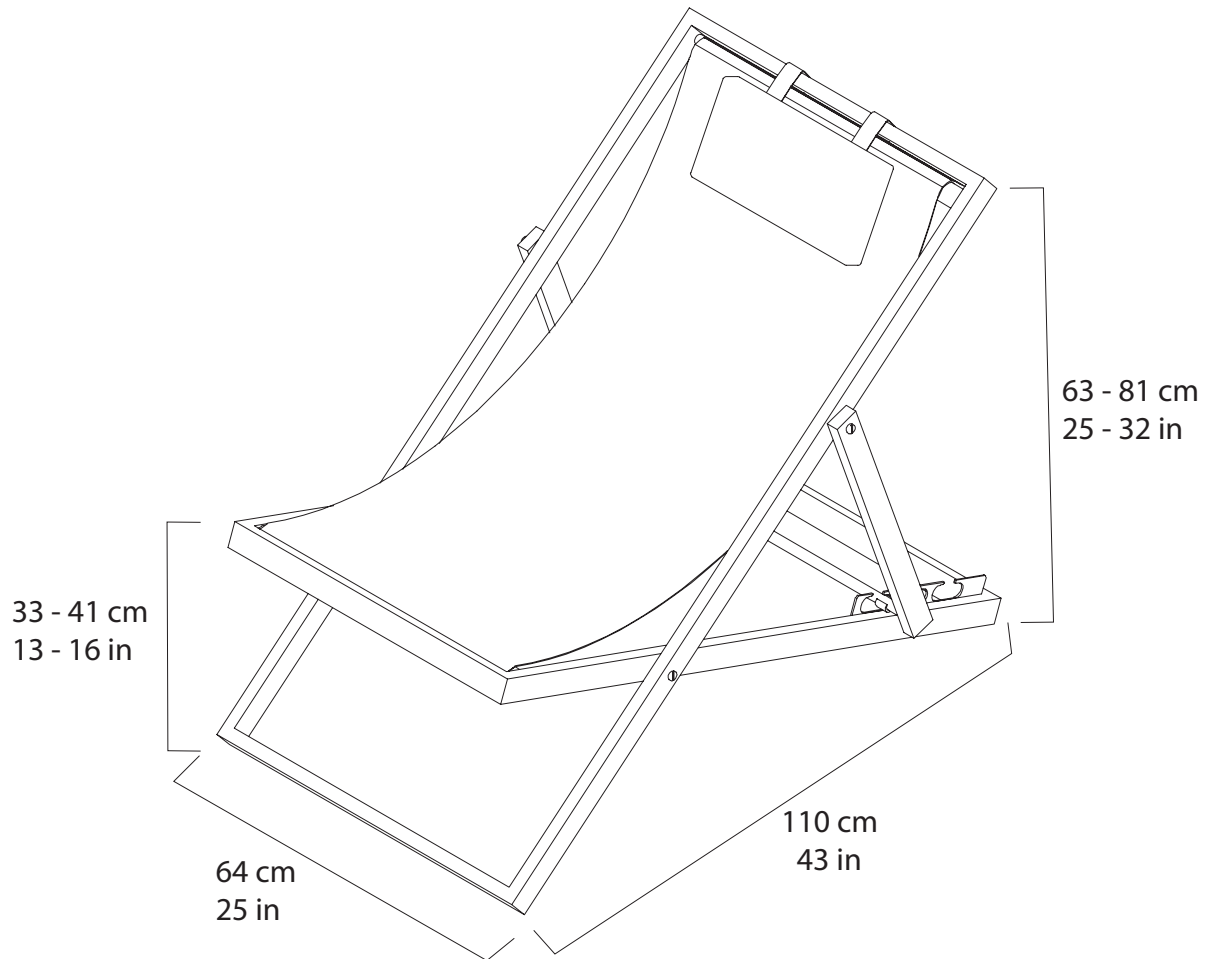


## Newport Lounger



### IMPORTANT: READ CAREFULLY AND RETAIN FOR FUTURE REFERENCE

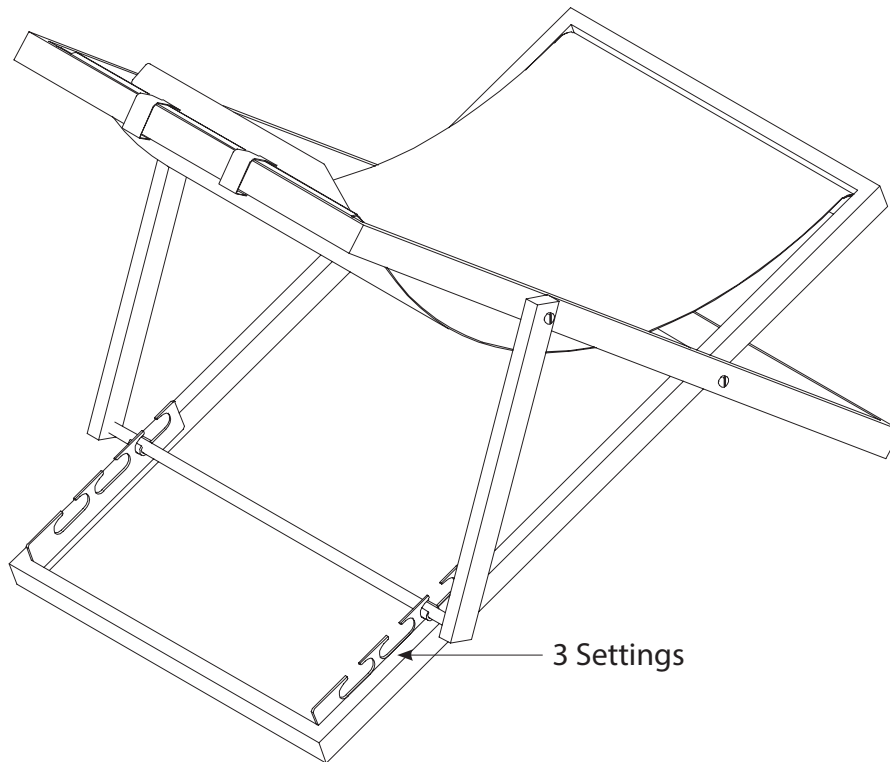


#### WARNING

Your safety and the safety of others is important to us.  
Failure to follow these guidelines can result in property damage or personal injury.

- The product is suitable for indoor and outdoor use.
- We strongly recommend that two persons handle the lounger.
- Children should not jump or climb on the lounger.
- Do not leave children unattended on the lounger.
- Do not allow sling to come into contact with a direct heat source ( candle / cigarette / heating device, etc. )
- Do not adjust backrest when someone is using the product.

# NO ASSEMBLY REQUIRED



## CARE AND MAINTENANCE

1. Use a soft, clean cloth that will not scratch the surface while cleaning.
2. Using solvents of any kind on your product may damage the finish.
3. Do not use any harsh abrasives or chemicals to clean any metal surface as it may damage the protective coating.
4. If possible cover the product and/or place under patio or awnings.
5. Sling can be cleaned with a mild detergent diluted in lukewarm water and by gently rubbing with a soft sponge to remove stains.
6. A garden hose can be used to wash the lounger.

## LIMITED LIFETIME WARRANTY

This product is warranted to the original purchaser. If there is a failure in this unit due to defects in materials or workmanship, the manufacturer will repair or replace this item at our discretion without charge. Warranty is void if product has been misused, abused by overloading, altered in any way or damaged due to accident. This warranty is not transferable and does not cover chipping, flaking, scratches, rust, dents or other damages to the surfaces of this product. Responsibility of the manufacturer is limited to repair or replacement of this product. The manufacturer is not responsible for consequential, incidental, or other damages or losses resulting from product failure.

This warranty is in lieu of all other expressed warranties. Some states do not allow the exclusion or limitation of incidental or consequential damages, therefore, the above limitation may not apply to you. This warranty gives you specific legal rights and you may have other rights which vary from state-to-state.