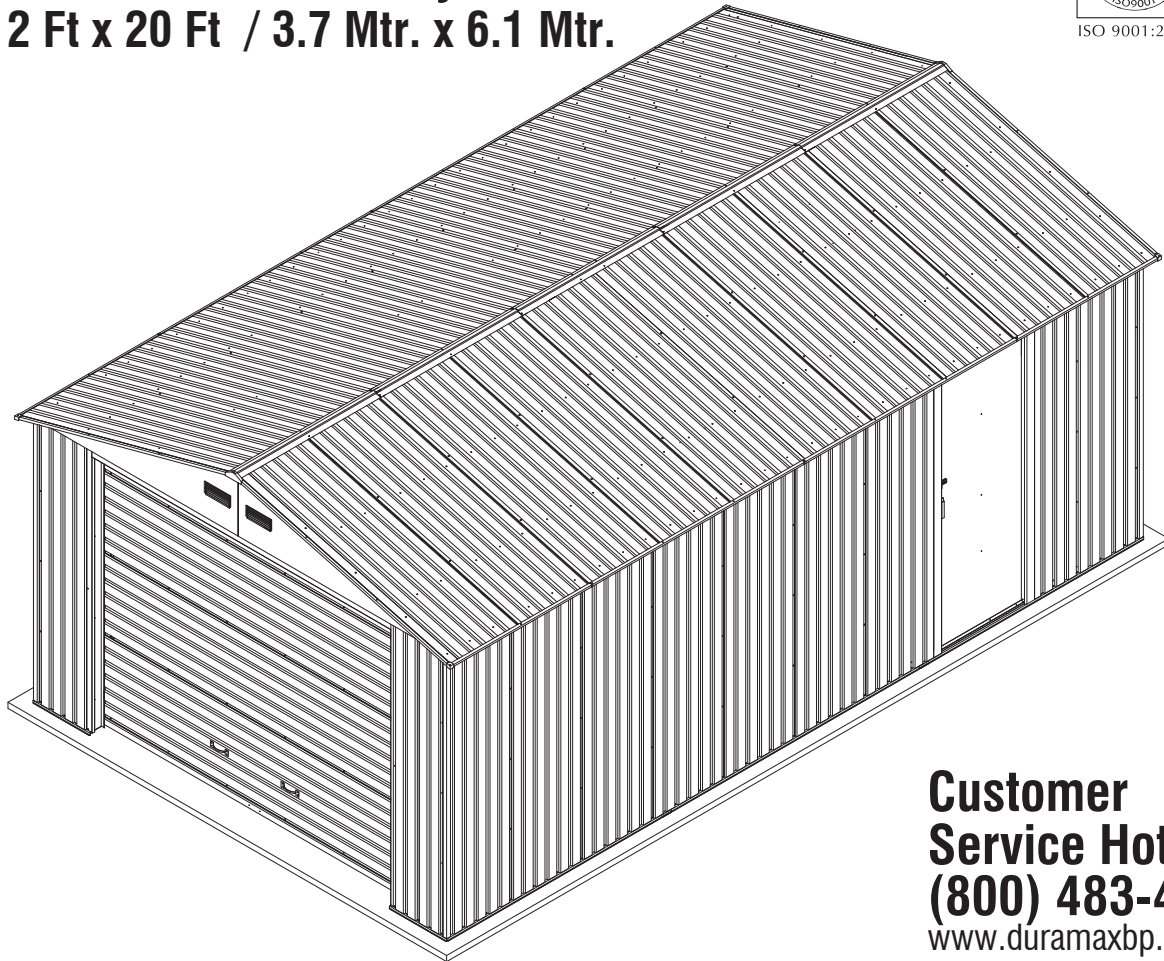


Metal Garage

OWNER'S MANUAL /
Instructions for Assembly
Size 12 Ft x 20 Ft / 3.7 Mtr. x 6.1 Mtr.
 Ver: 3.0



**Customer
 Service Hotline**
(800) 483-4674
www.duramaxbp.com

- Tall Walk in Garages
- Quick and Easy Assembly
- Ridge Reinforced Walls
- Wide Single Front Shutter Door

Call us for any missing or damaged parts.
 Do not return to the store.

Building Dimensions :											
Approximate Size	Storage		Exterior Dimension				Interior Dimension		Door Opening		
	Area	Volume	Base Dimension		Roof Edge to Edge		Wall to Wall				
			inch	cm.	inch	cm.	inch	cm.	inch	cm.	
12 Ft x 20 Ft	196 1/2 Sq. Ft.	1369 3/4 Cu.Ft.	Width	138 1/8	350	145	368.2	127 1/2	324	98 3/4	251
3.7 Mtr. x 6.1 Mtr.	18.26 Sq.Mtr.	38.8 Cu.Mtr.	Depth	232 3/4	591.3	237 3/8	602.9	222	563.7		
			Height			102	259	83 5/8	212.5	78 3/4	200

Duramax Garages Limited Ten Year Warranty

U.S. Polymer Inc. will send a replacement part free of charge, in the event of material defects and or workmanship for a period of ten years from the date of purchase.

This warranty is extended only to the original purchaser. A purchase receipt or other proof of date of original purchase will be required before warranty service is rendered. In no event shall we pay the cost of flooring, labor, installation or any other costs related thereto.

This warranty only covers failures due to defects in material or workmanship which occurs during normal use and does not extend to color change arising due to normal weathering or to damage resulting from misuse or neglect, commercial use, failure to follow assembly instructions and the owner's manual (including proper anchoring of the shed), painting, forces of nature and other causes which is beyond our control.

Claims under this warranty must be made within the warranty period by calling 1-800-483-4674 or mail in a dated sales slip and clear photograph of the part to:

U.S. Polymers, Inc.
1057 S.Vail Ave,
Montebello, CA 90640

We reserve the right to discontinue or change components. If a component has been discontinued or is not available, U.S. Polymers, Inc. reserves the right to substitute a component of equal quality as may be compatible.

Limits and Exclusions

There are no express warranties except as listed above. The warrantor shall not be liable for incidental or consequential damages resulting from the use of this product, or arising out of any breach of this warranty. All express warranties are limited to the warranty period set forth above. Some states do not allow the exclusion or limitation on how long an implied warranty lasts, so the above limitations may not apply to you.

This warranty gives you specific legal rights and you may also have other rights which vary from state to state or country to country.

IMPORTANT: USE HAND GLOVES TO PREVENT INJURY.

Parts List



Note: Check all parts prior to installation.

<u>ITEM</u>	<u>CODE</u>	<u>QTY.</u>	<u>ITEM</u>	<u>CODE</u>	<u>QTY.</u>
1	BC01	4	63	CS13	2
2	BC02	2	64	CS14	2
3	BC03	1	65	DF01	1
4	BC04	1	66	DF02	1
5	BC05	2	67	DF03	1
6	FS01	4	68	SD03	1
7	FS02	4	69	BS01	2
8	FS03	12	70	BS05	2
9	FS04	4	71	BS06	2
10	FS05	4	72	BS07	2
11	FS06	4	73	DP01	1
12	FS07	8	74	GP01	2
13	FS08	4	75	GP02	2
14	FS09	2	76	BS12	1
15	FS10	2	77	BS13	1
16	FS11	6	78	BS14	4
17	CS01	2	79	BS15	2
18	CS02	2	80	BS16	2
19	CS03	2	81	WP01	17
20	CS04	4	82	WP02	2
21	CS05	1	83	WP03	1
22	CS08	1	84	WP04	1
23	CS10	2	85	WP05	3
24	CS11	1	86	WP06	1
25	CS12	1	87	WP07	1
26	RS01	11	88	WP08	1
27	RS02	1	89	RP01	2
28	RS03	4	90	RP02	12
29	RS04	4	91	RP03	2
30	RS05	4	92	RP04	2
31	WS01	2	93	RP05	2
32	WS02	2	94	SP01	2
33	WS03	4	95	SP02	1
34	WS04	2	96	SP03	1
35	WS05	3	97	CP01	4
36	WS06	1	98	CP02	4
37	WS07	1	99	CP03	2
38	WS08	2	100	BS17	1
39	WS09	2			
40	DF04	1			
41	DF05	1			
42	DF06	1			
43	DF07	1			
44	DS01	1			
45	DS02	1			
46	DS03	4			
47	SD01	1			
48	SD02	1			
49	SD04	1			
50	SD05	1			
51	SD06	3			
52	RF01	4			
53	RF02	4			
54	RF03	4			
55	RF04	3			
56	RF05	1			
57	RF06	1			
58	BS02	16			
59	BS08	8			
60	CS06	2			
61	CS07	2			
62	CS09	4			

Tools You Will Need

- | | |
|-------------------------------|-------------------|
| Hand Gloves | 8' Step Ladder |
| Cordless Drill - Philips Head | Adjustable pliers |
| Screw driver - Philips Head | Level - 3ft. |
| Carpenter's Square | Tape Measure |
| Eye Protector | |
| Plumb Line | |

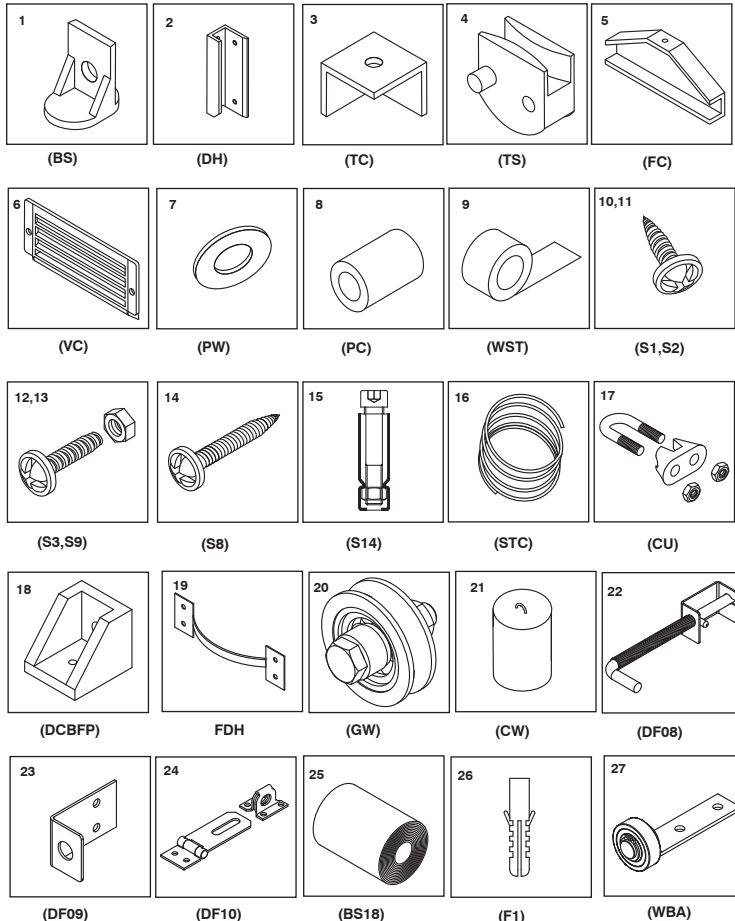
Note - Use screwdriver to separate out nested profiles

IMPORTANT: USE HAND GLOVES TO PREVENT INJURY.

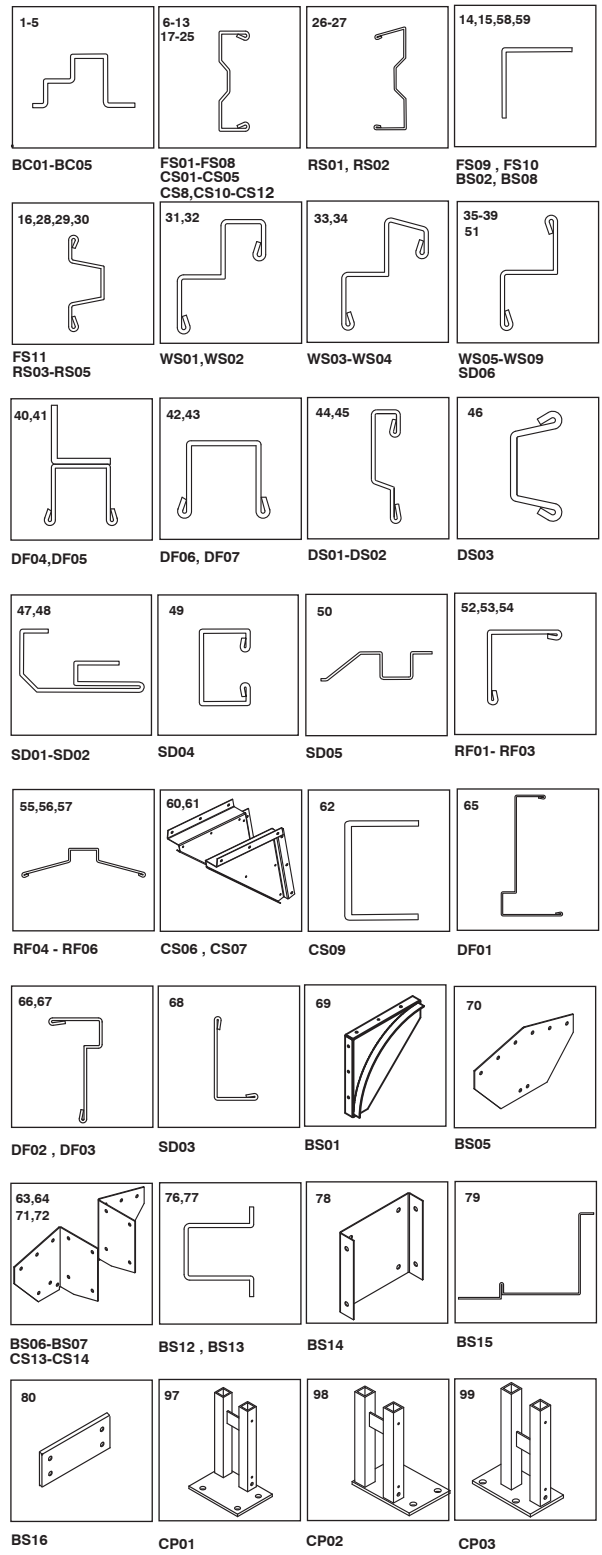
ACCESSORIES

ITEM	CODE	QTY.
1	BS	3
2	DH	3
3	TC	4
4	TS	2
5	FC	2
6	VC	4
7	PW	7 Slabs
8	PC	7 Slabs
9	WST	8 Meter
10	S1	677
11	S2	369
12	S3	272
13	S8	27
14	S9	30
15	S14	32
16	STC	5.1 Meter
17	CU	2
18	DCBFP	2
19	FDH	2
20	GW	3
21	CW	5.0kg
22	DF08	1
23	DF09	1
24	DF10	1
25	BS18	1
26	F1	27
27	WBA	10
28	EDP1 (4.28mtr)	2
29	EDP2 (2.04mtr)	2
30	EDP3 (2.14mtr)	2

ACCESSORIES



PROFILES



Note - Use screws with plastic washers on top of pre-painted surface only.

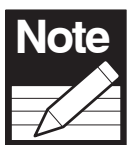
IMPORTANT: USE HAND GLOVES TO PREVENT INJURY.

A. Foundation, Column Stands & Base Channel

Note: It is important that these instructions are followed step by step.

Concrete Platform

The shed must be constructed on a solid base foundation. A concrete pad or a large size concrete patio stone squares is recommended for suitable floor base. Make sure it is firm and level and will allow drainage away from the site. The base foundation should be at least 4 inches (100mm) larger than the shed dimensions. Please refer to the front page of your owner's manual for the exterior dimensions of the shed. **Manufacturer is not responsible for the choice and construction of the foundation**



Note For a concrete pad base, prepare a level bed for a firm footing layer of crushed stone. The concrete pad should then be poured to a thickness of 4 inches (100mm) to 5 inches (125mm). Allow to dry thoroughly for at least 48 hours

Parts Needed:

Code	Qty.
BC01	4
BC02	2
BC03	1
BC04	1
BC05	2
CP01	4
CP02	4
CP03	2
S1	28
S8	27
S14	32
F1	27

Step - 1

Anchor Bolt Holes for Column Support



Use 12mm (1/2 Inch) Concrete drill bit.

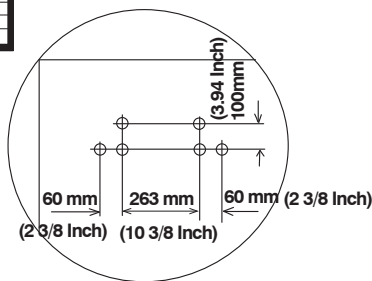


Fig.1

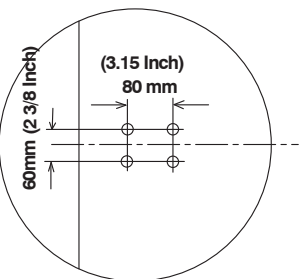


Fig.2

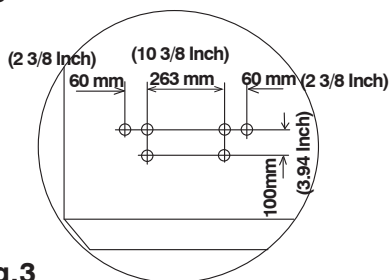
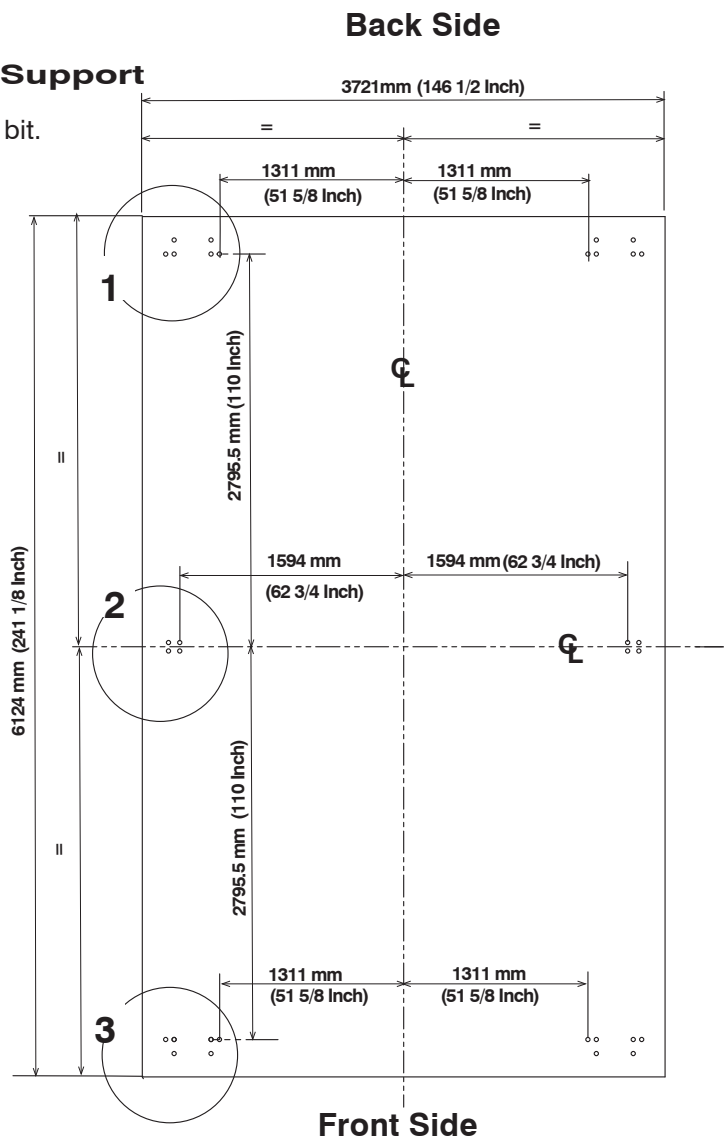


Fig.3



Front Side

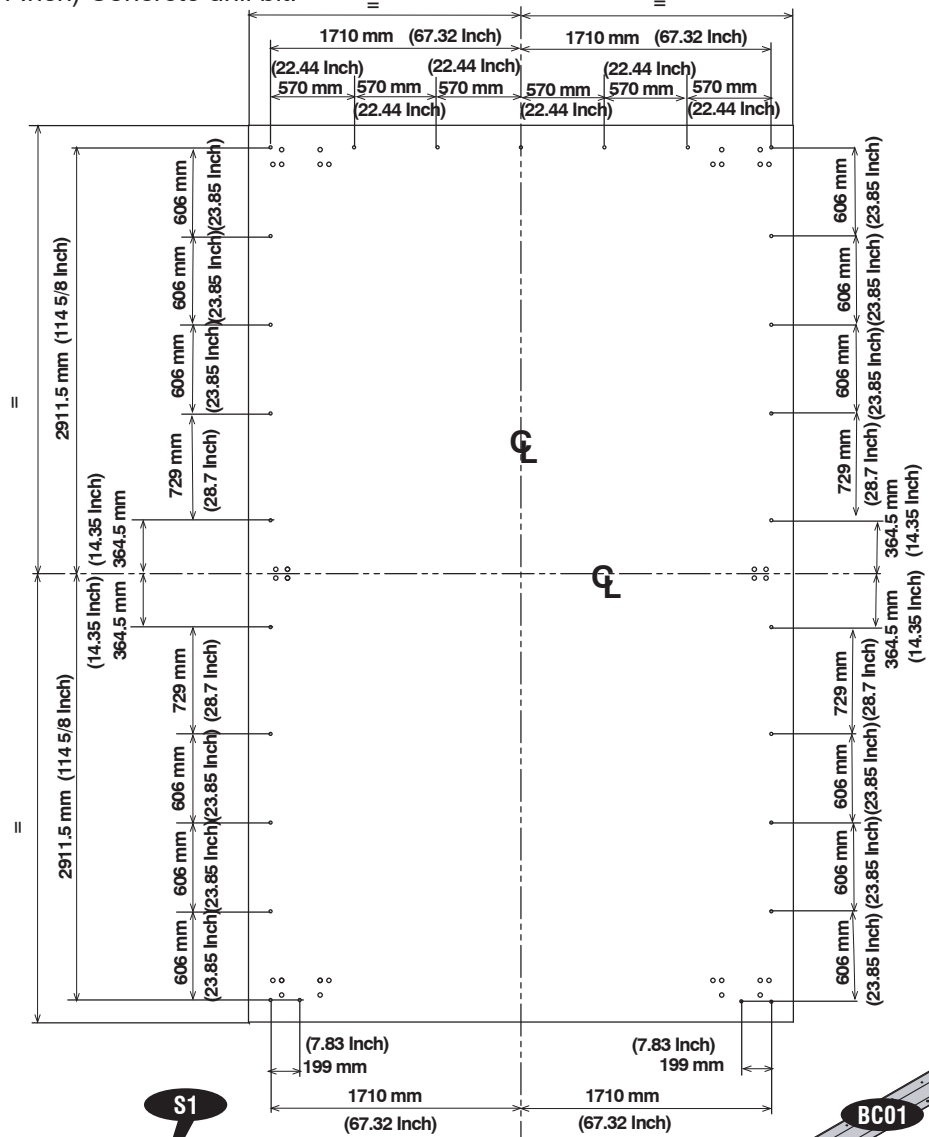
IMPORTANT: USE HAND GLOVES TO PREVENT INJURY.

Step - 2

PVC Wall Plug Holes for Base Channel

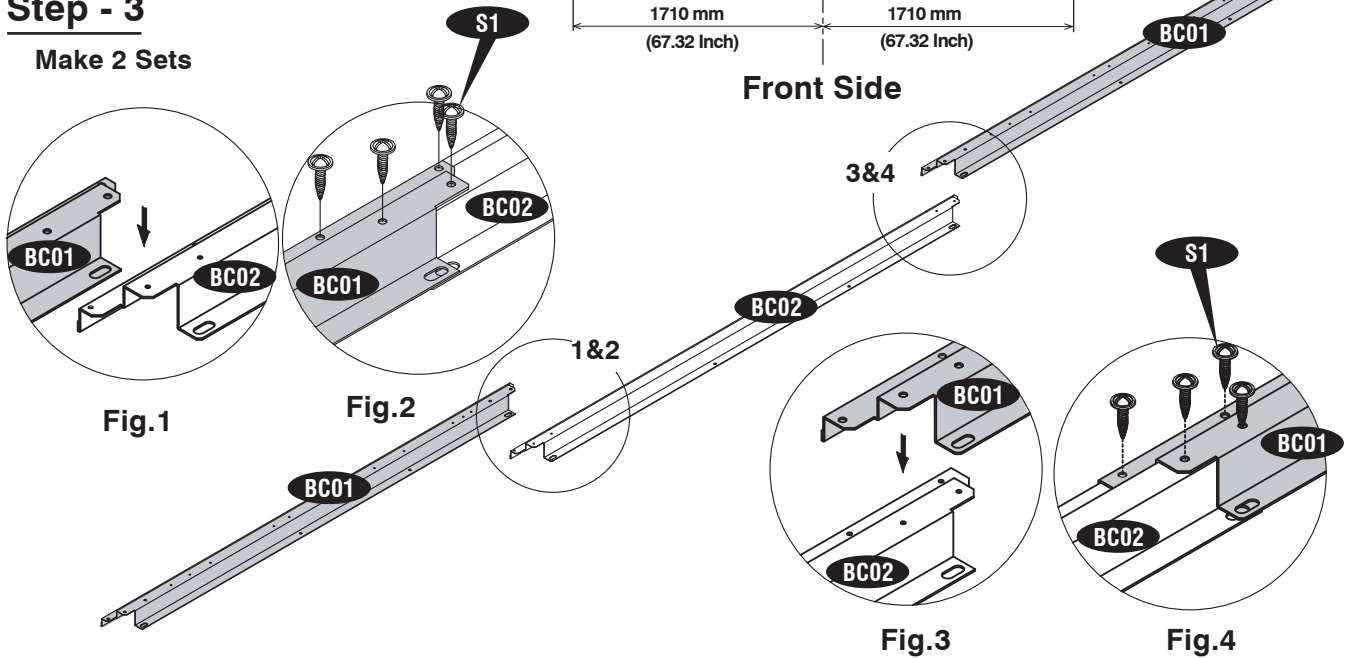


Use 6 mm (1/4 Inch) Concrete drill bit.

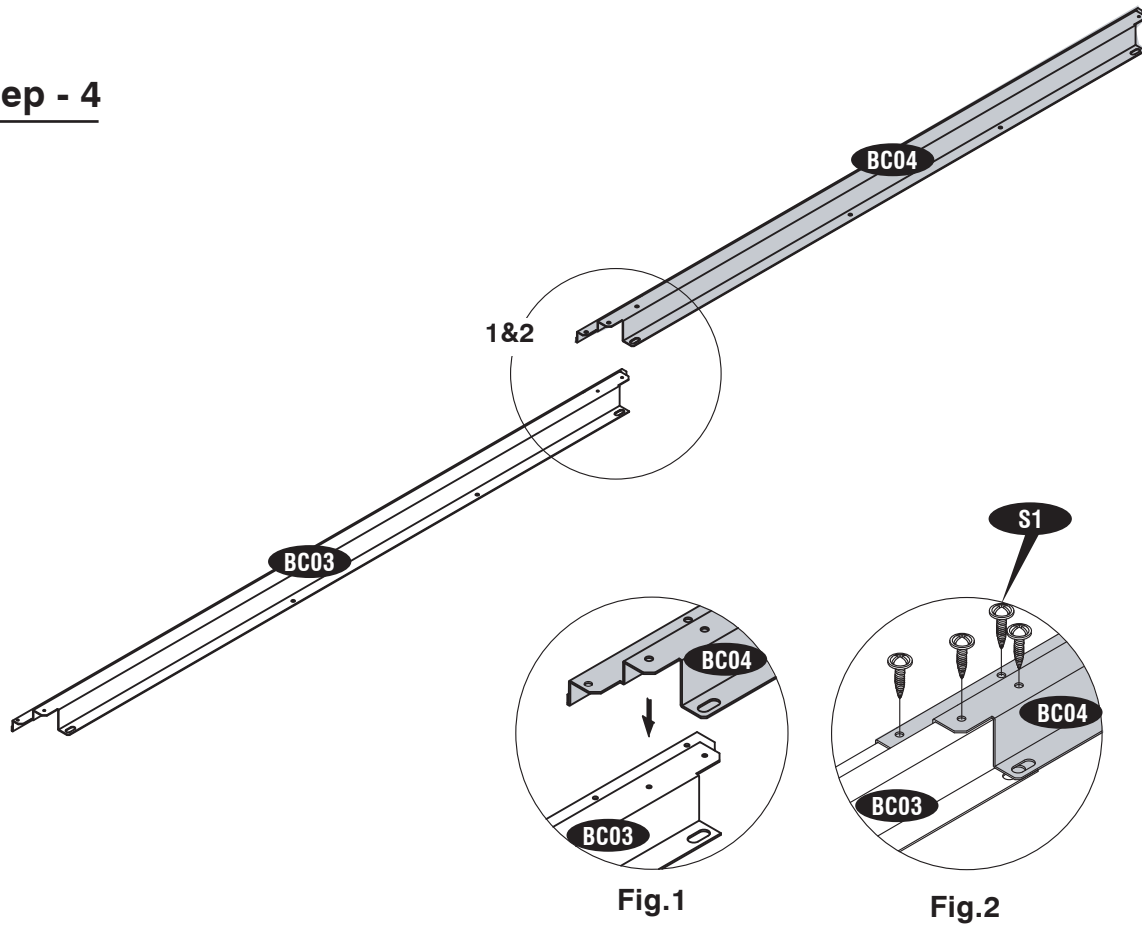


Step - 3

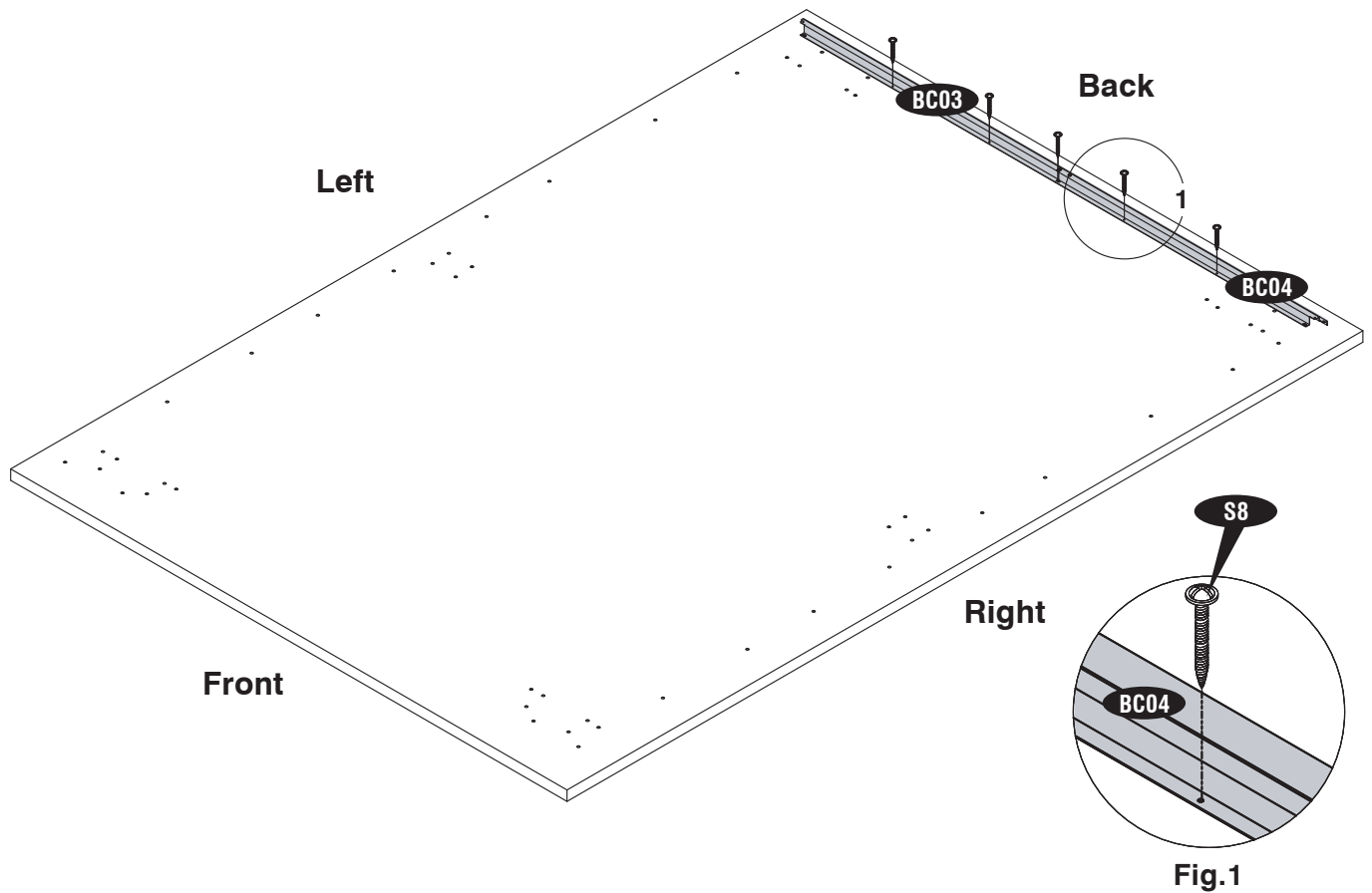
Make 2 Sets



Step - 4

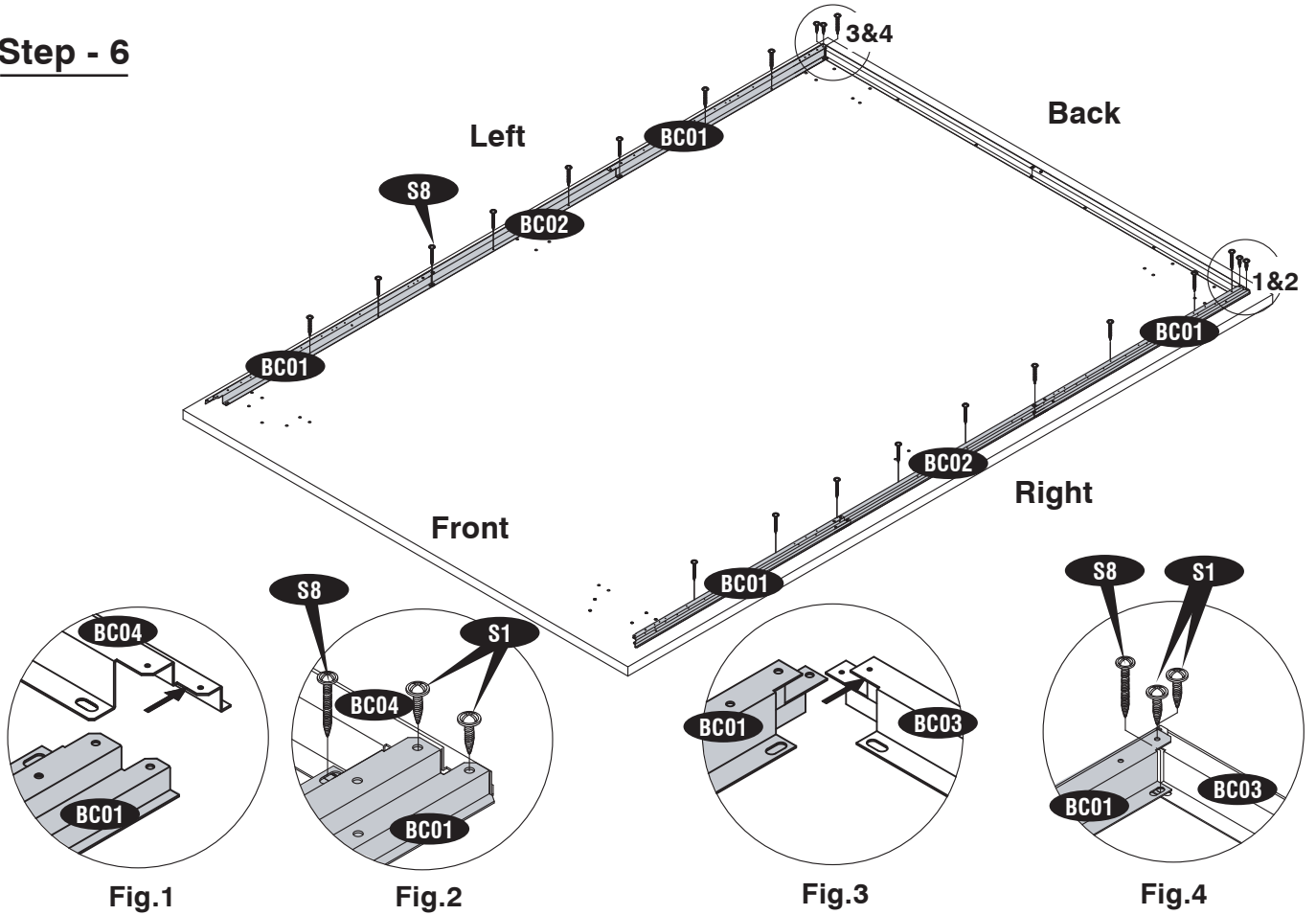


Step - 5

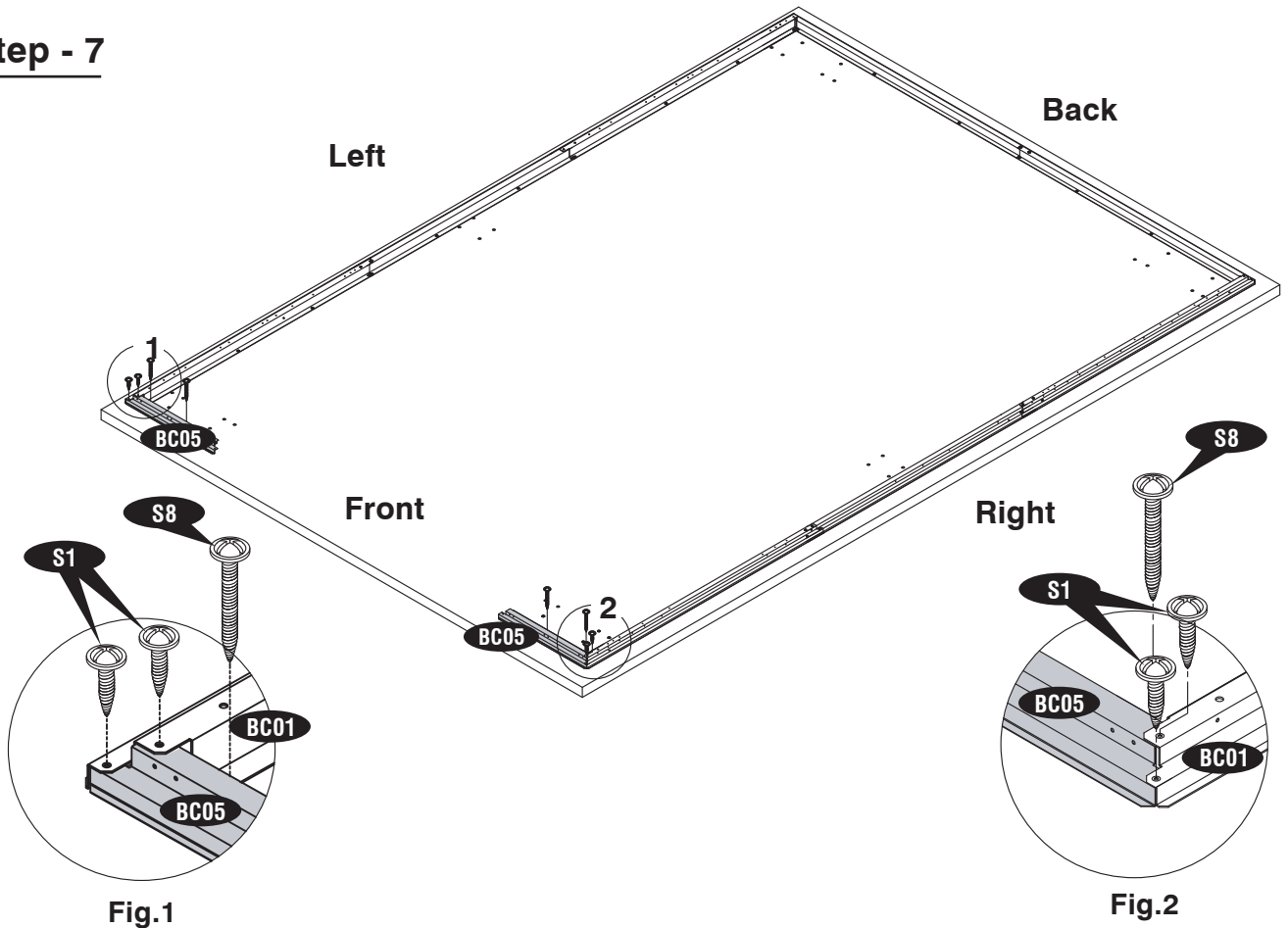


IMPORTANT: USE HAND GLOVES TO PREVENT INJURY.

Step - 6

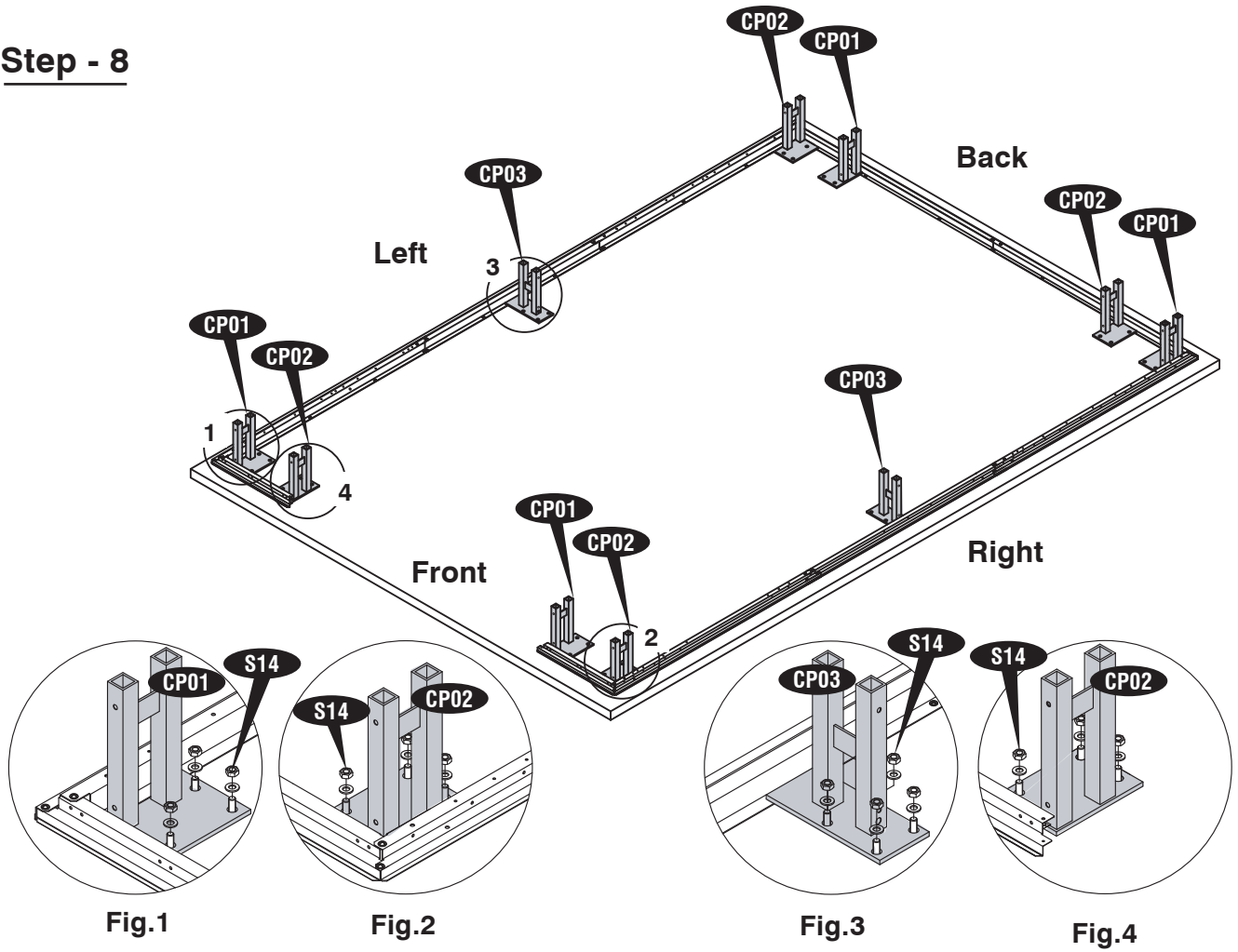


Step - 7

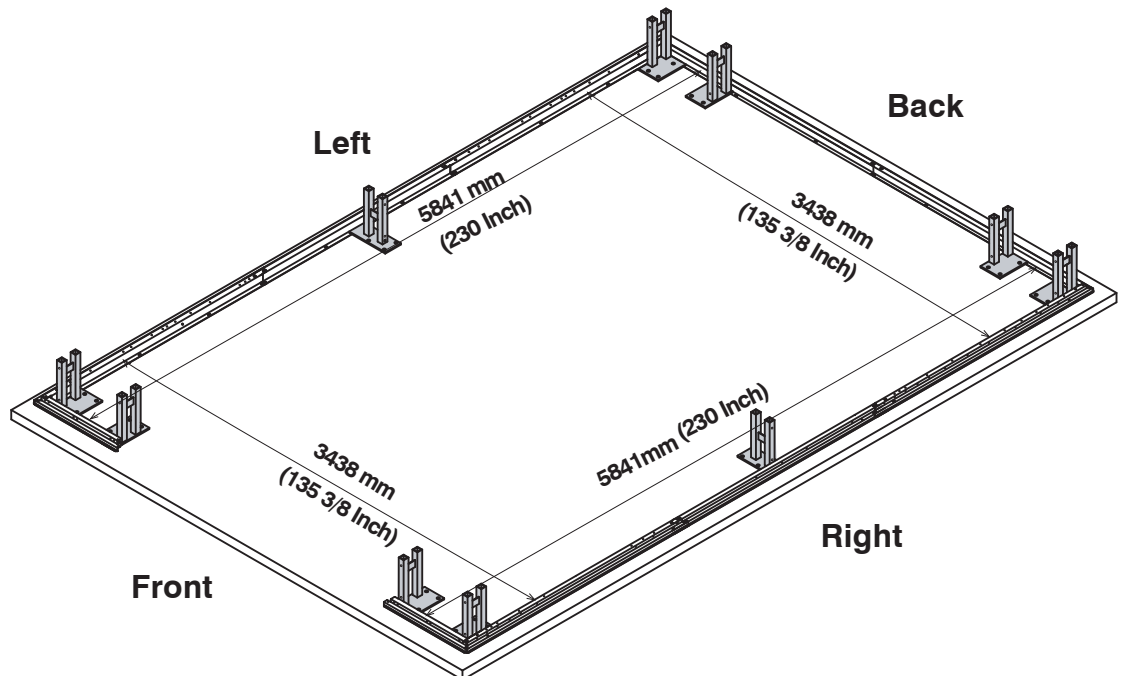


IMPORTANT: USE HAND GLOVES TO PREVENT INJURY.

Step - 8



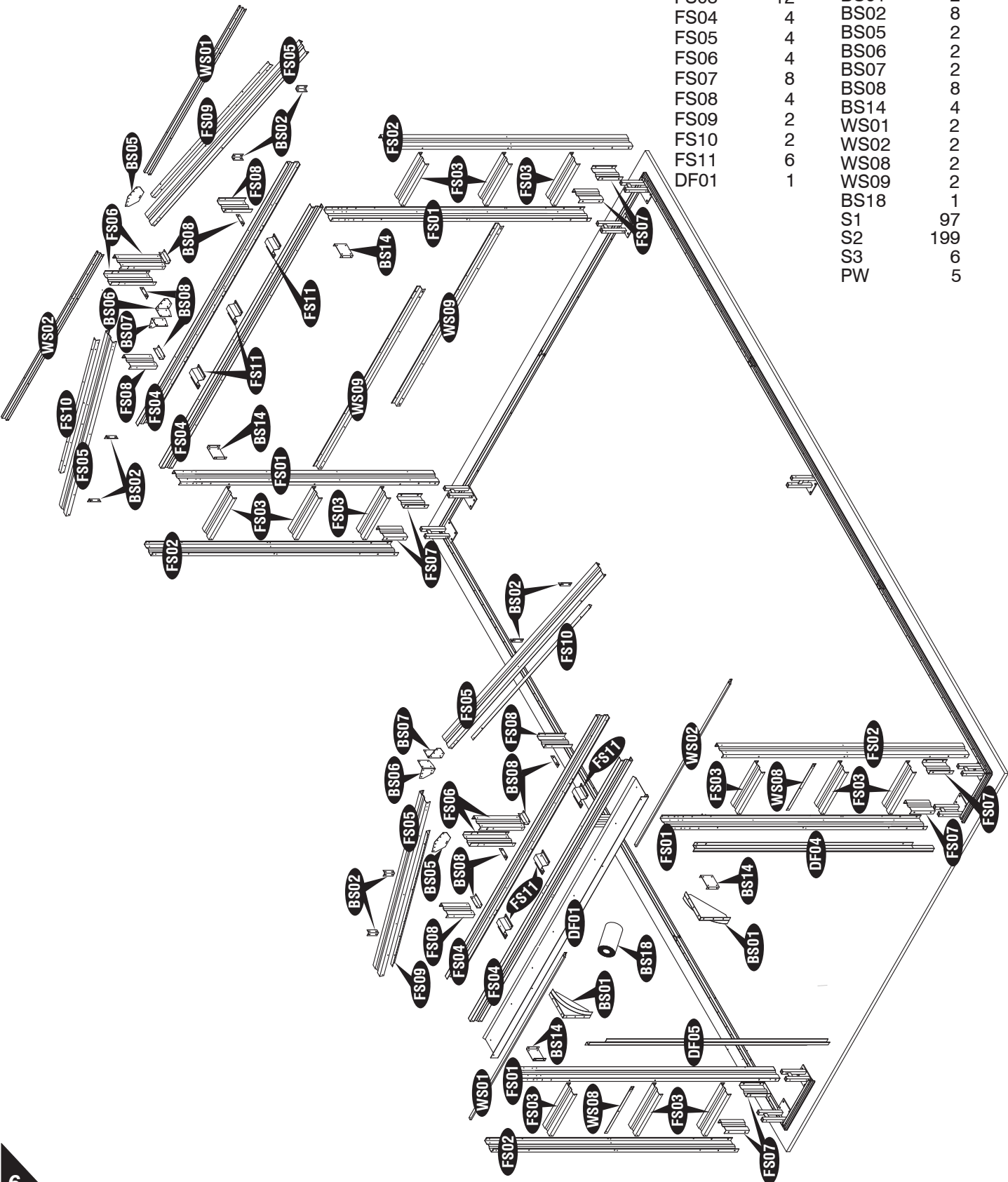
Step - 9



B. Front & Back Structure Assembly

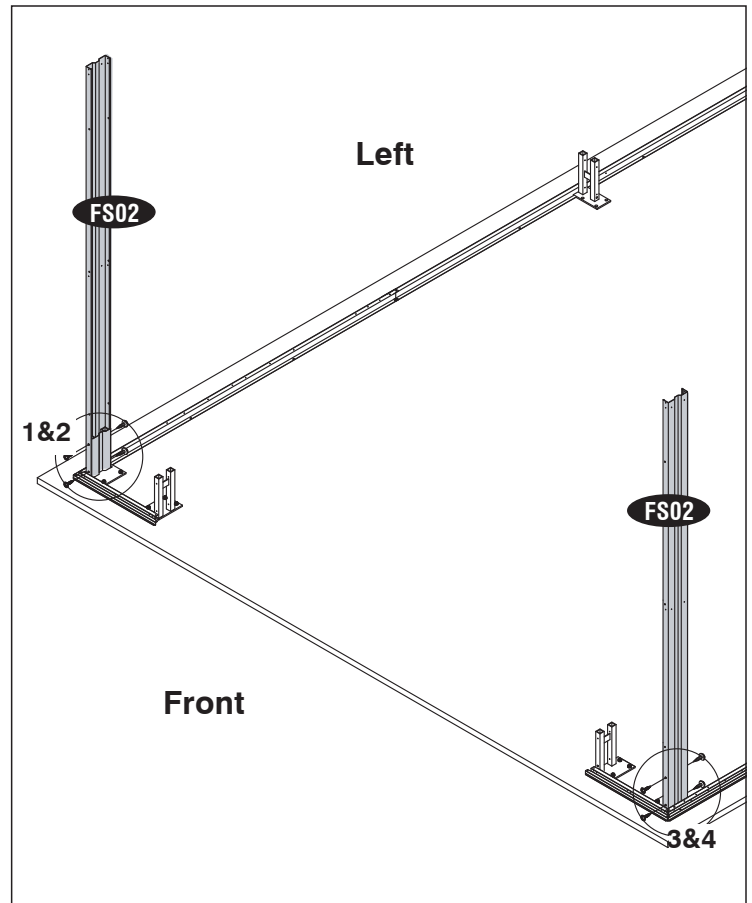
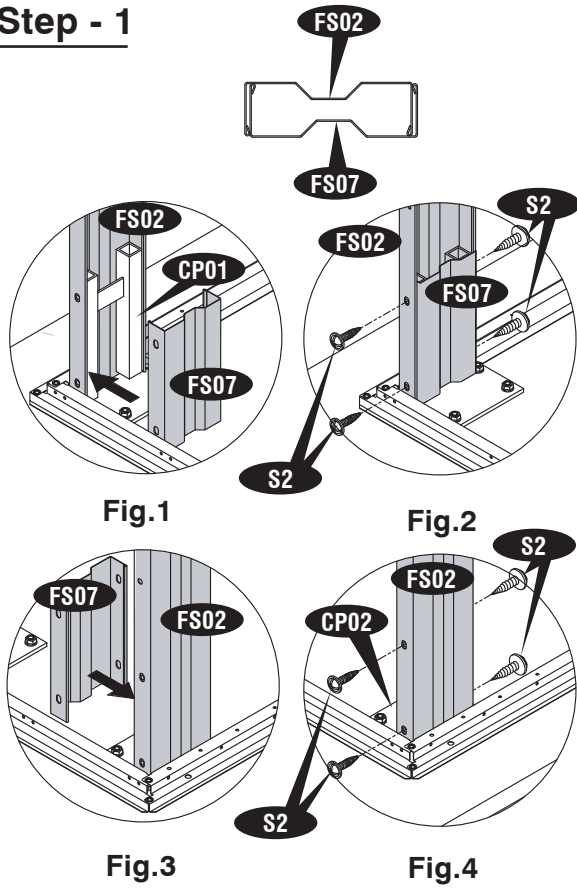
Parts Needed:

Code	Qty.	Code	Qty.
FS01	4	DF04	1
FS02	4	DF05	1
FS03	12	BS01	2
FS04	4	BS02	8
FS05	4	BS05	2
FS06	4	BS06	2
FS07	8	BS07	2
FS08	4	BS08	8
FS09	2	BS14	4
FS10	2	WS01	2
FS11	6	WS02	2
DF01	1	WS08	2
		WS09	2
		BS18	1
		S1	97
		S2	199
		S3	6
		PW	5

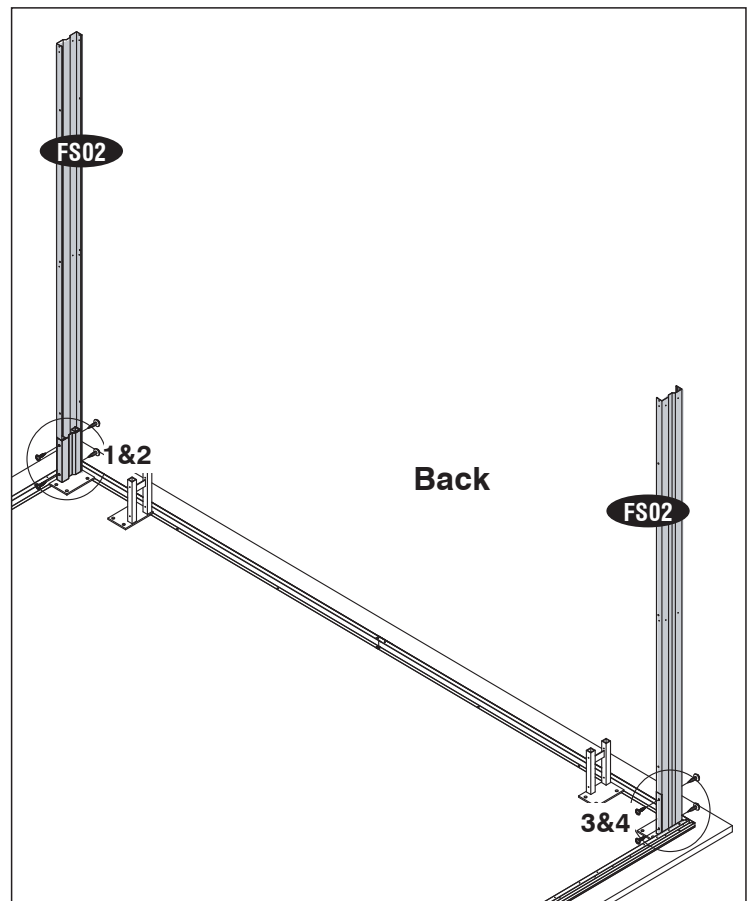
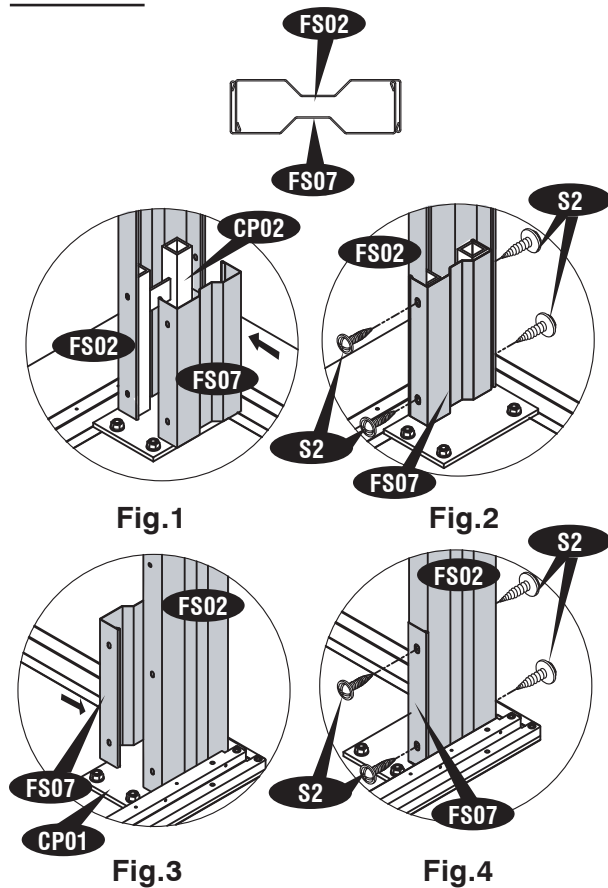


IMPORTANT: USE HAND GLOVES TO PREVENT INJURY.

Step - 1



Step - 2



Step - 3

Make 4 Sets

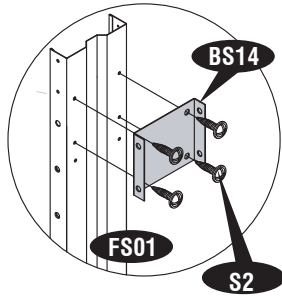


Fig.1

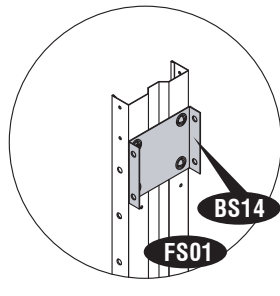
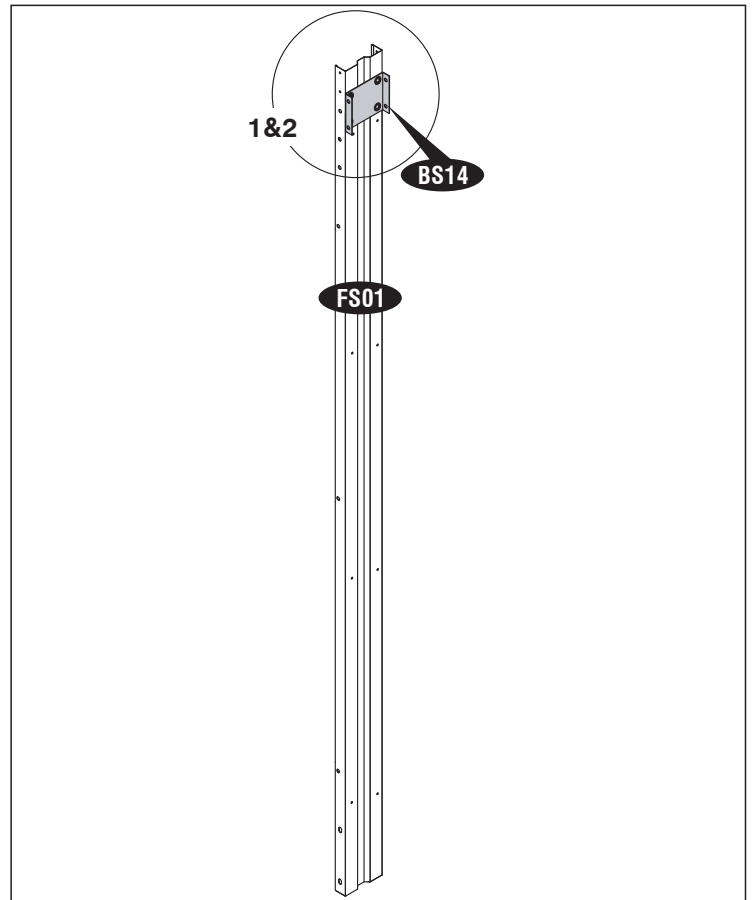


Fig.2



Step - 4

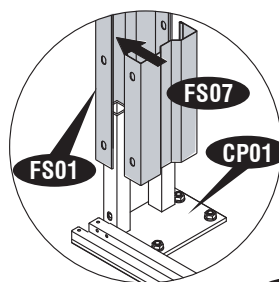
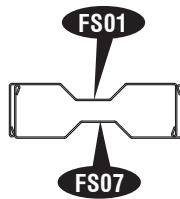


Fig.1

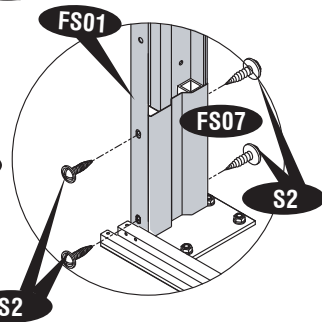


Fig.2

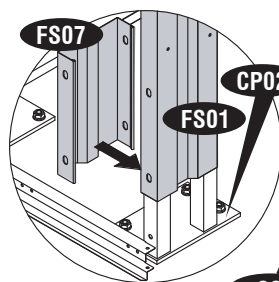


Fig.3

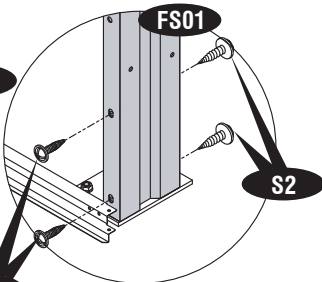
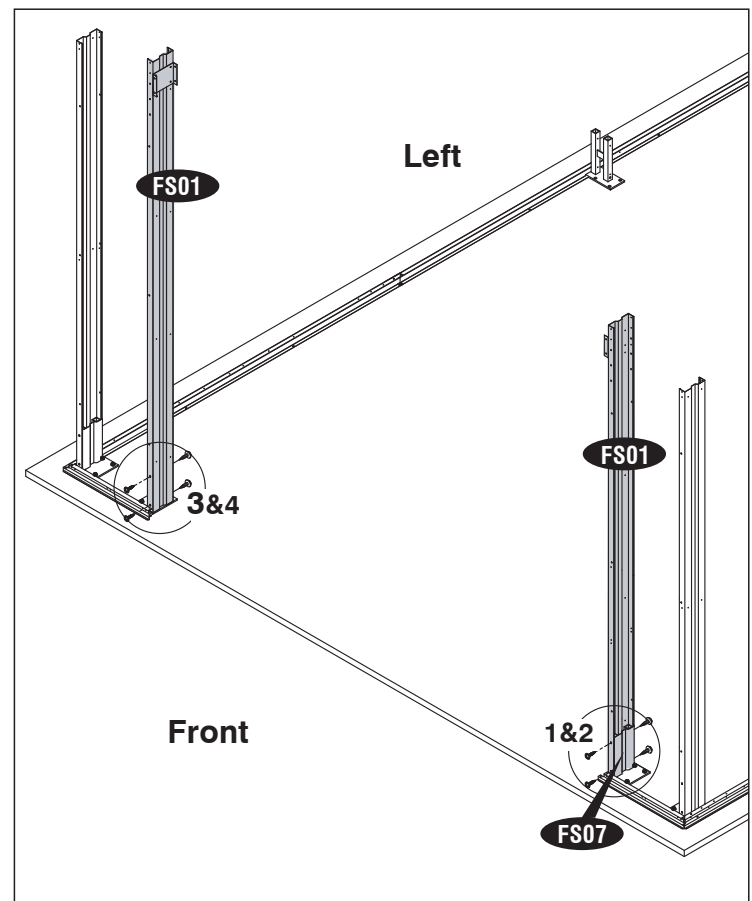
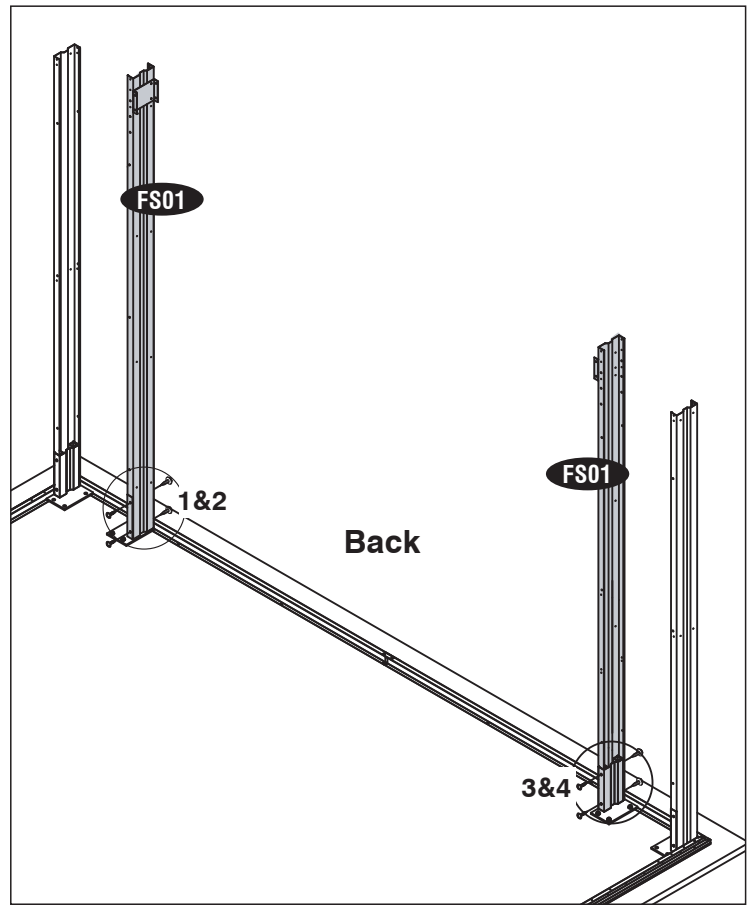
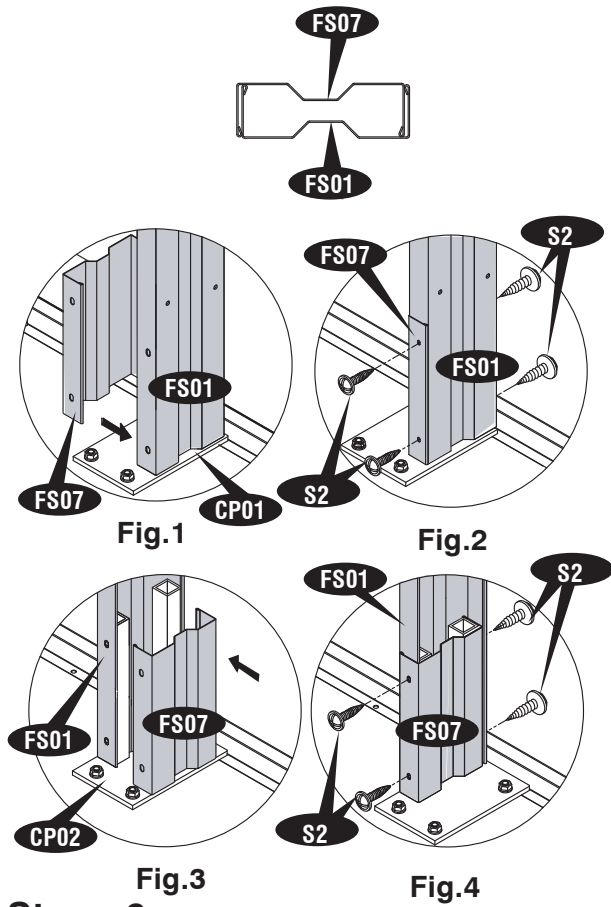


Fig.4



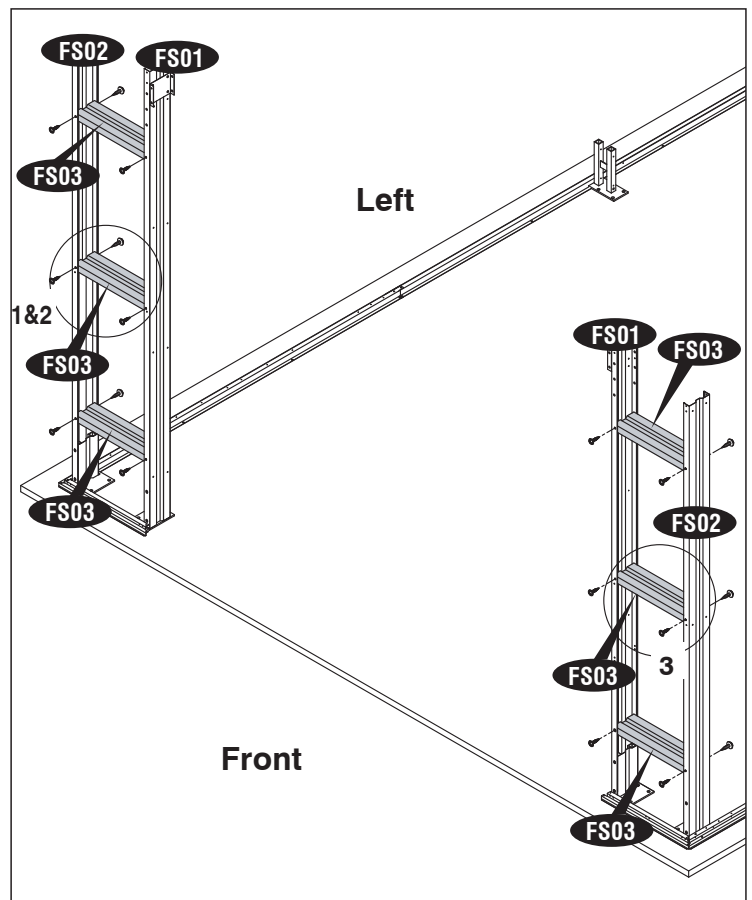
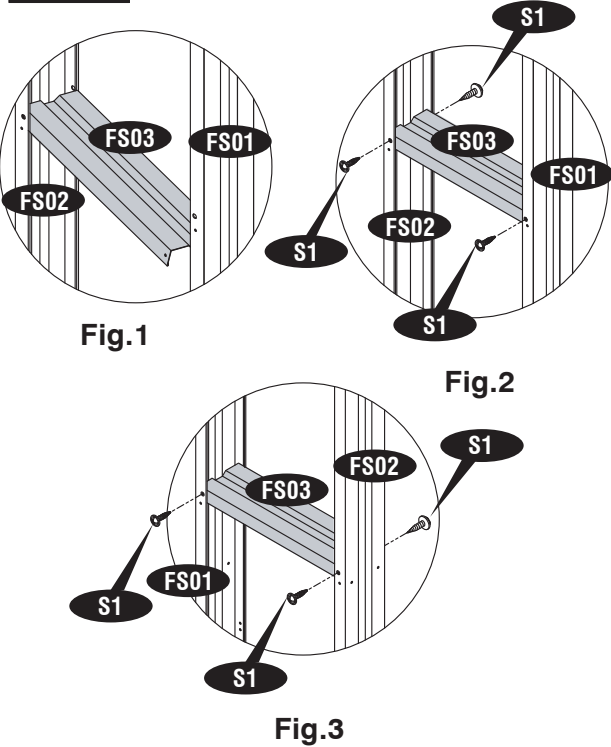
IMPORTANT: USE HAND GLOVES TO PREVENT INJURY.

Step - 5

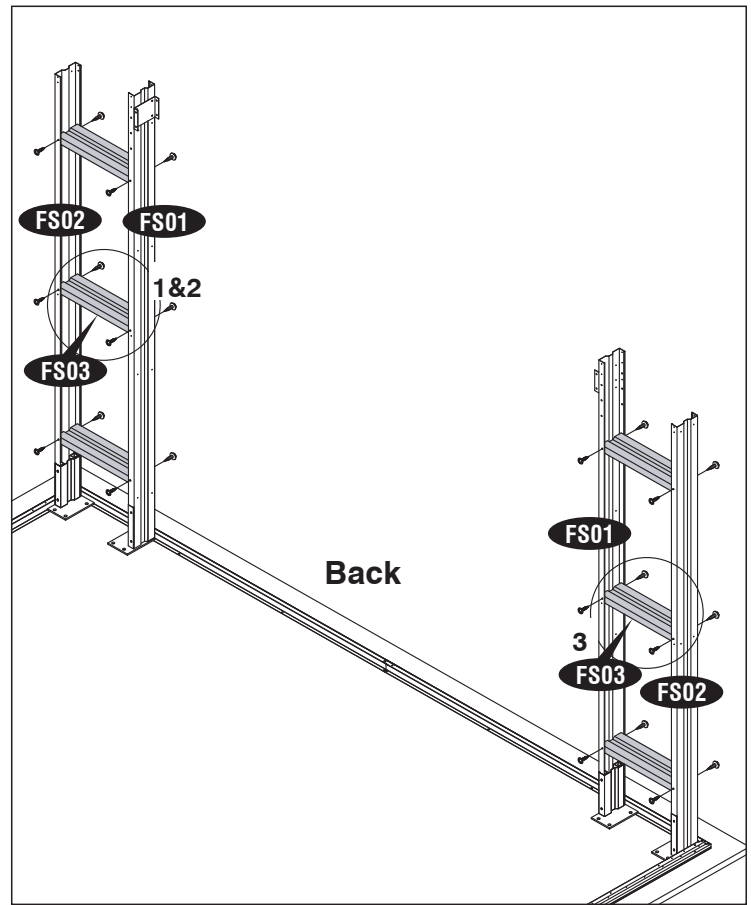
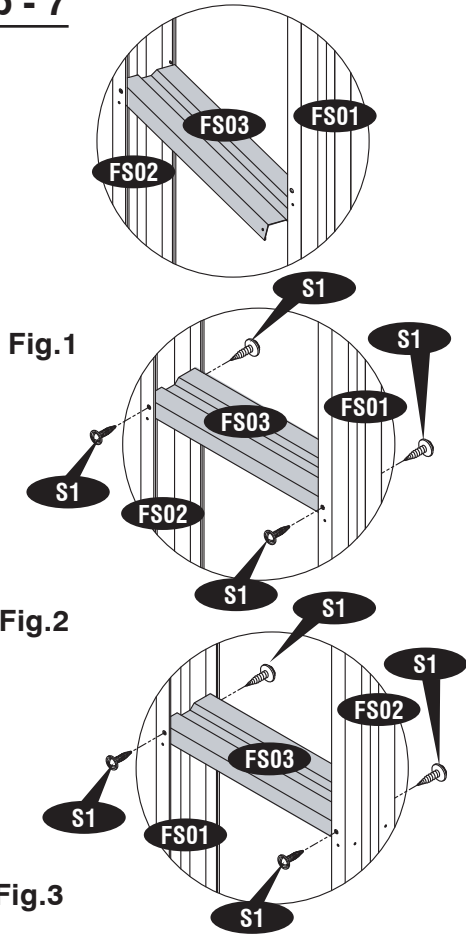


Step - 6

Note Use only 3 Screws as shown in Blow up.

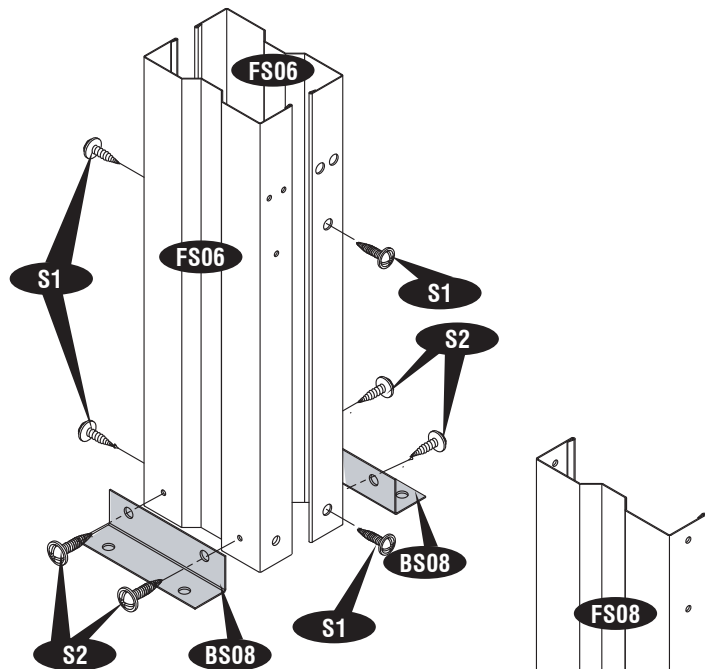


Step - 7



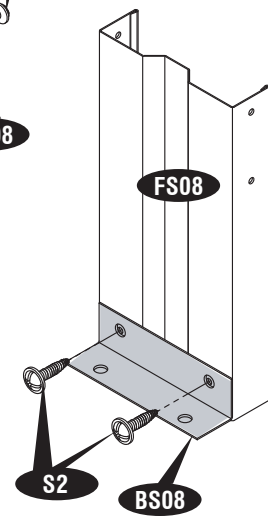
Step - 8

Make 2 Sets



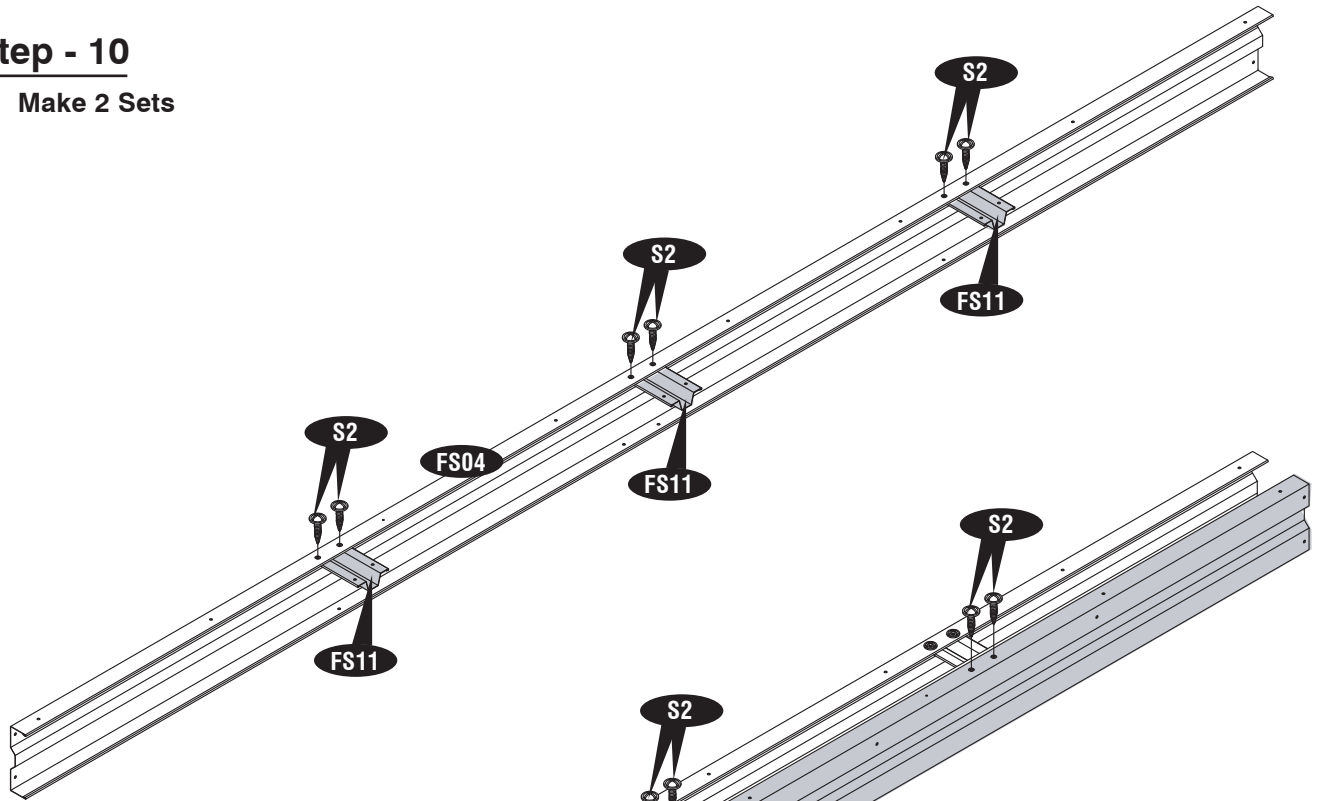
Step - 9

Make 4 Sets



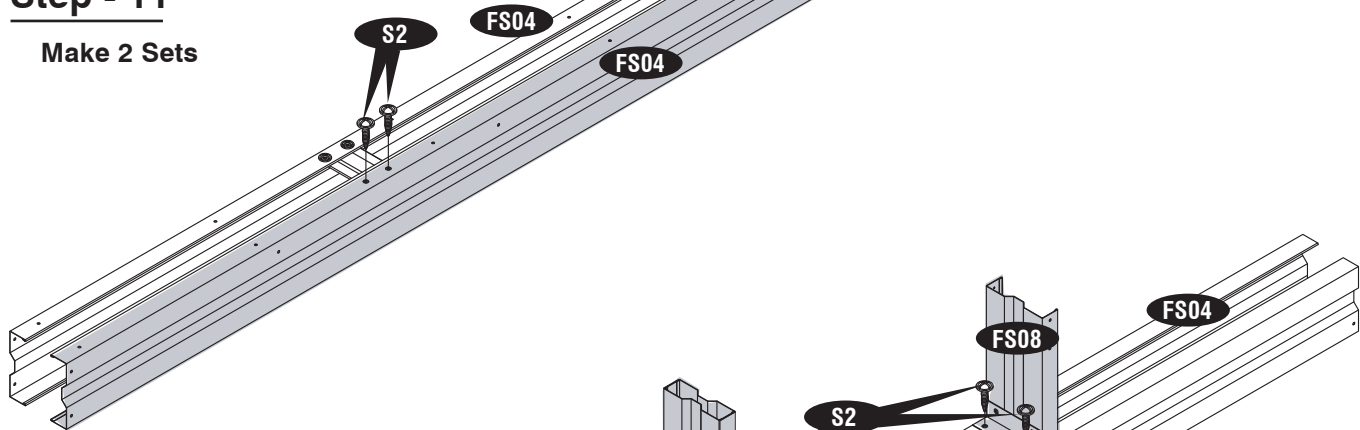
Step - 10

Make 2 Sets



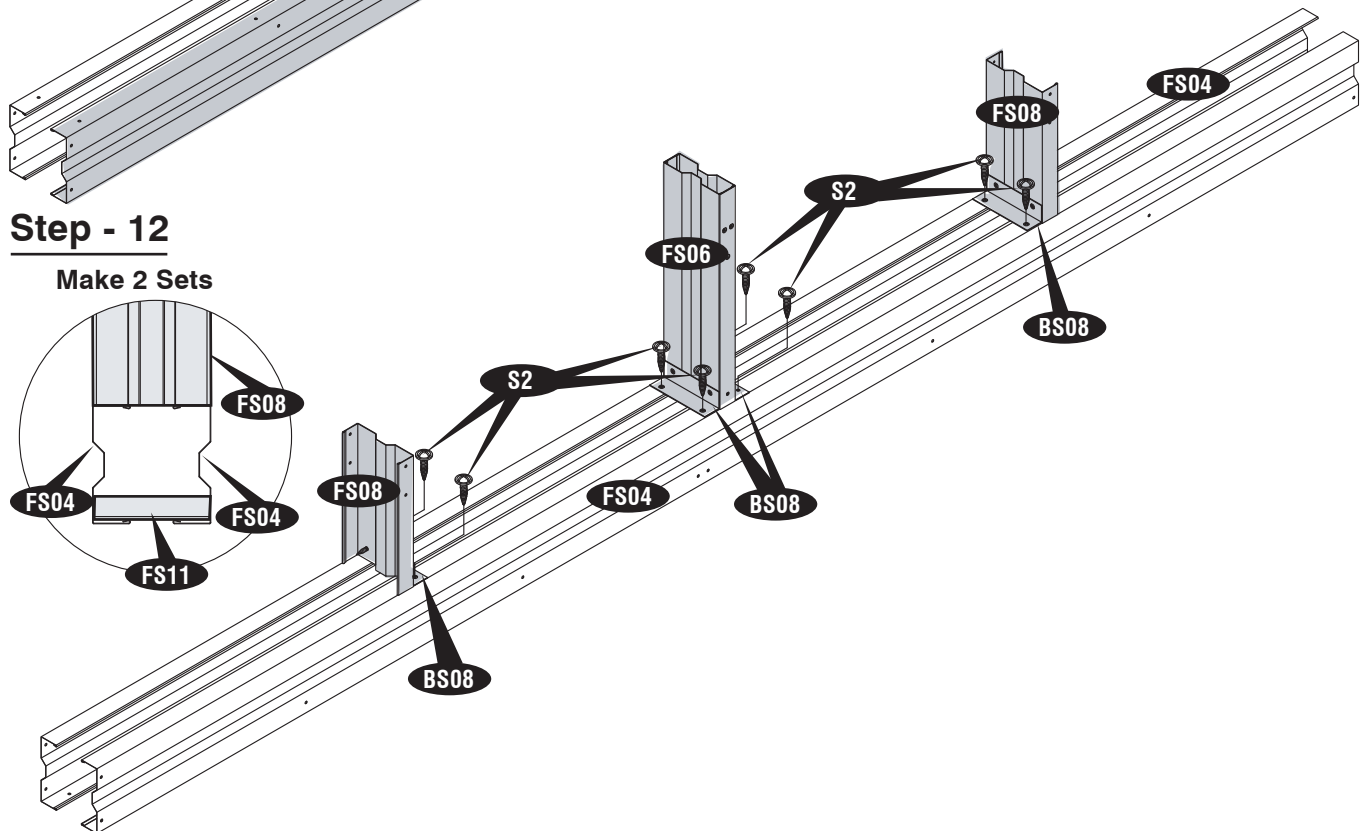
Step - 11

Make 2 Sets



Step - 12

Make 2 Sets



Step - 13

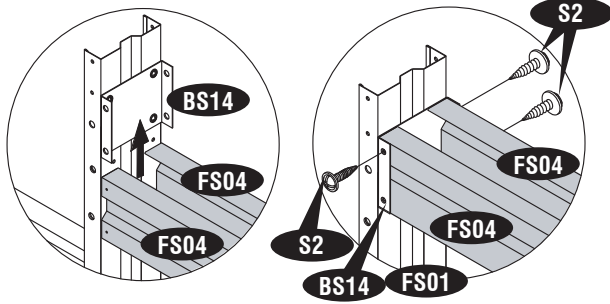


Fig.1

Fig.2

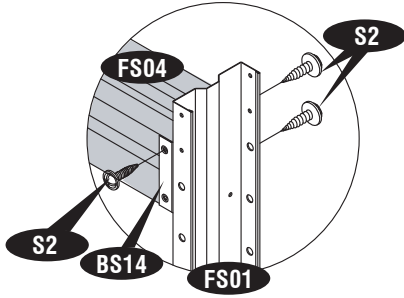
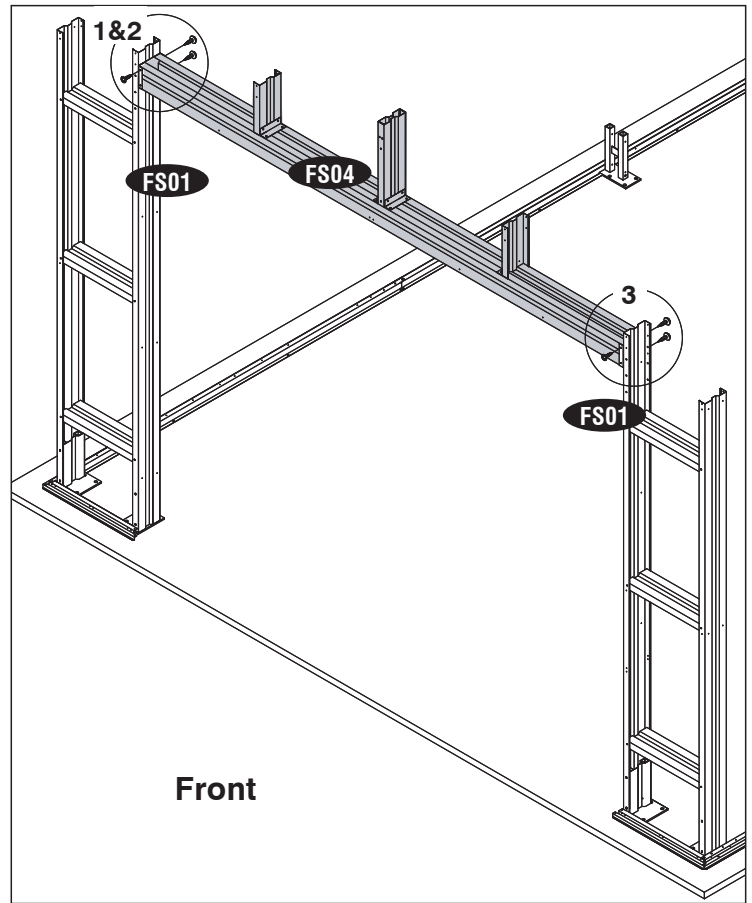


Fig.3



Front

Step - 14

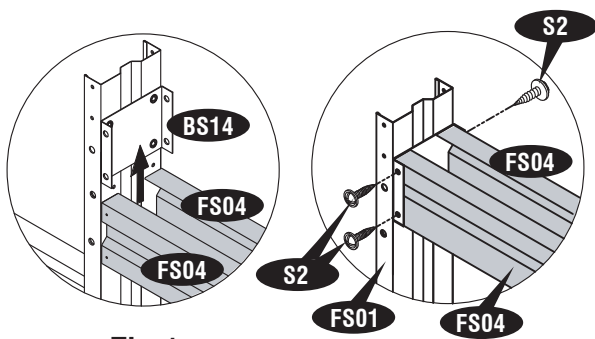


Fig.1

Fig.2

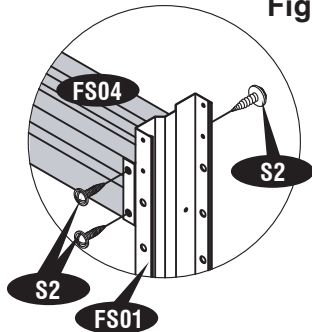
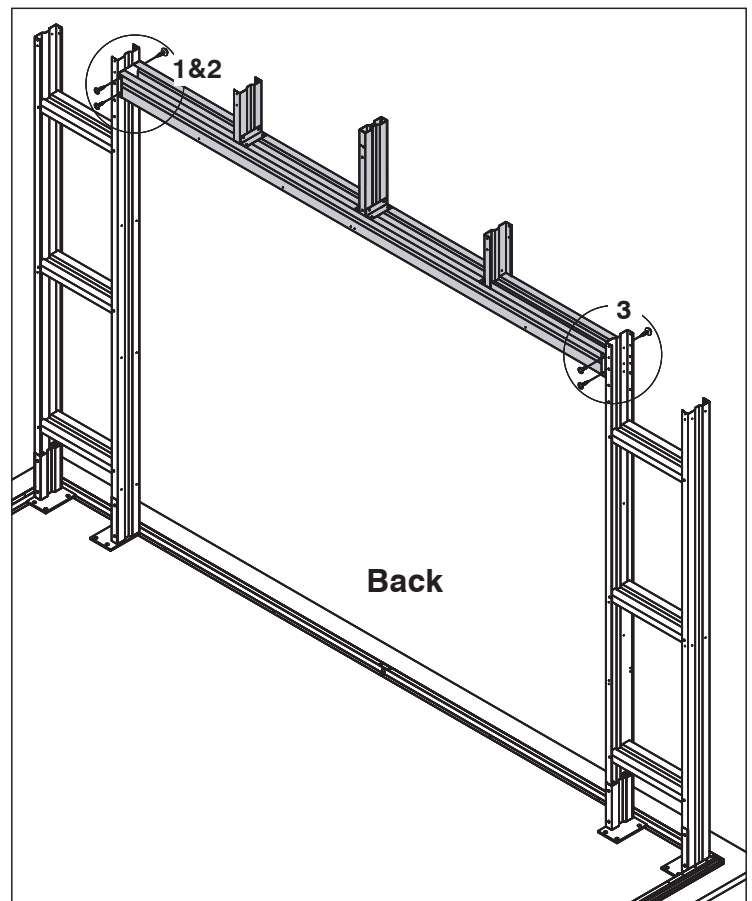


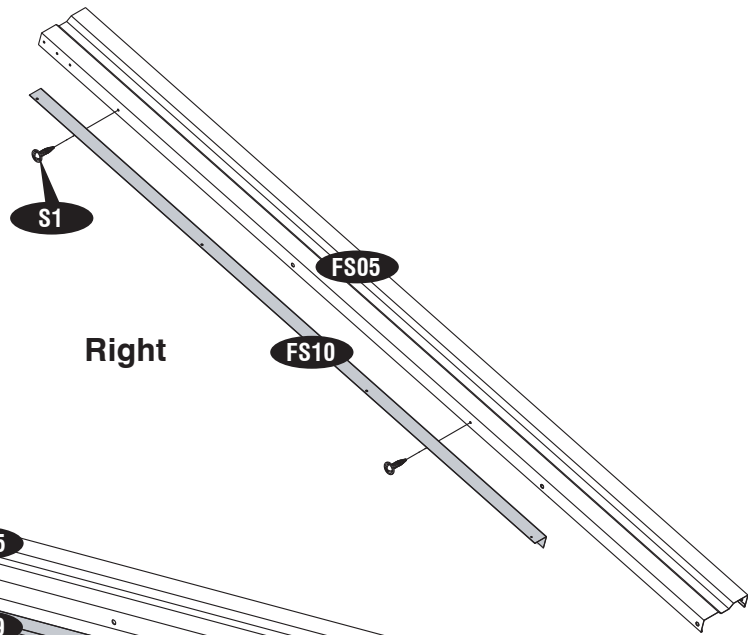
Fig.3



Back

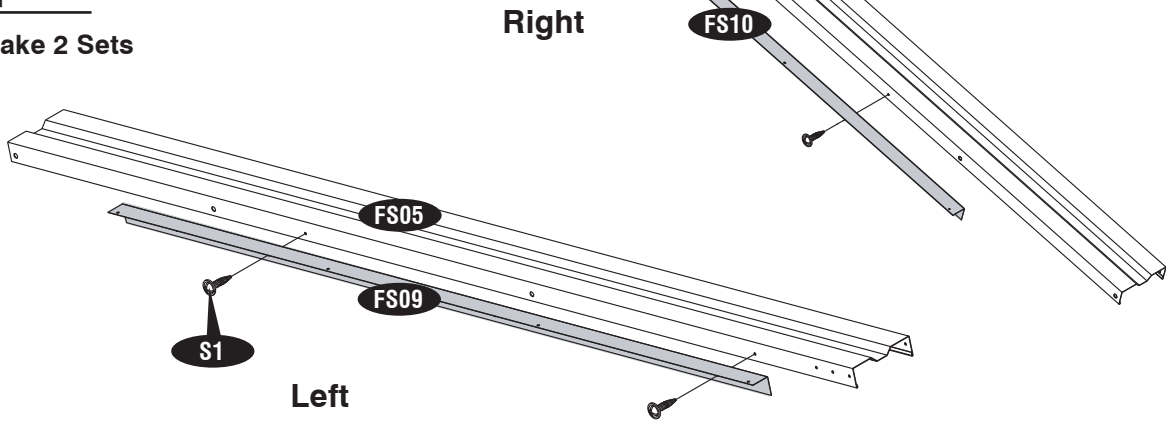
Step - 15

Make 2 Sets

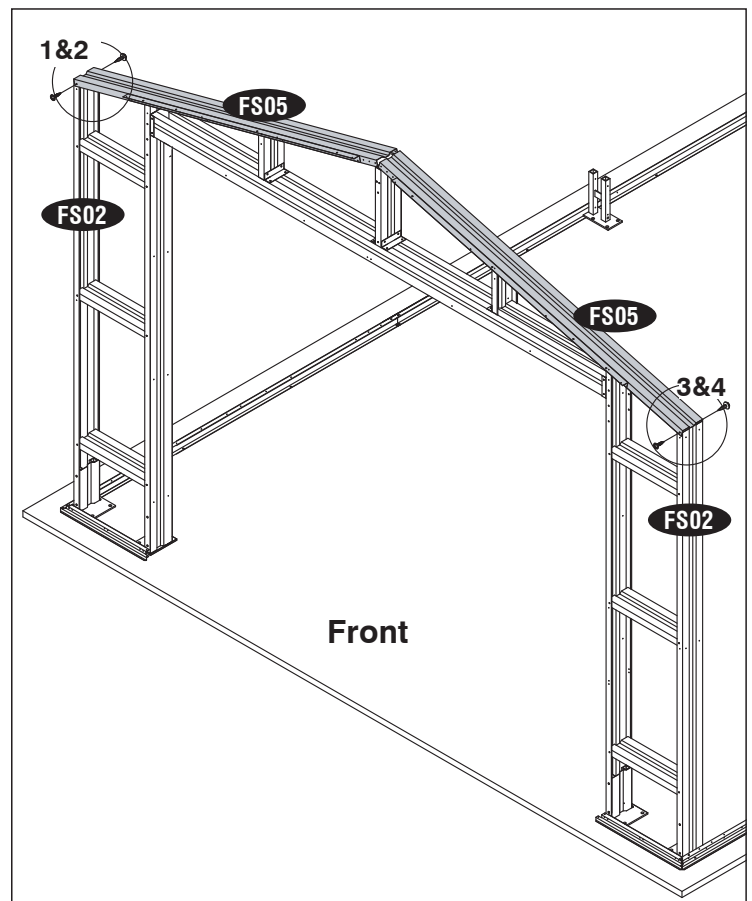
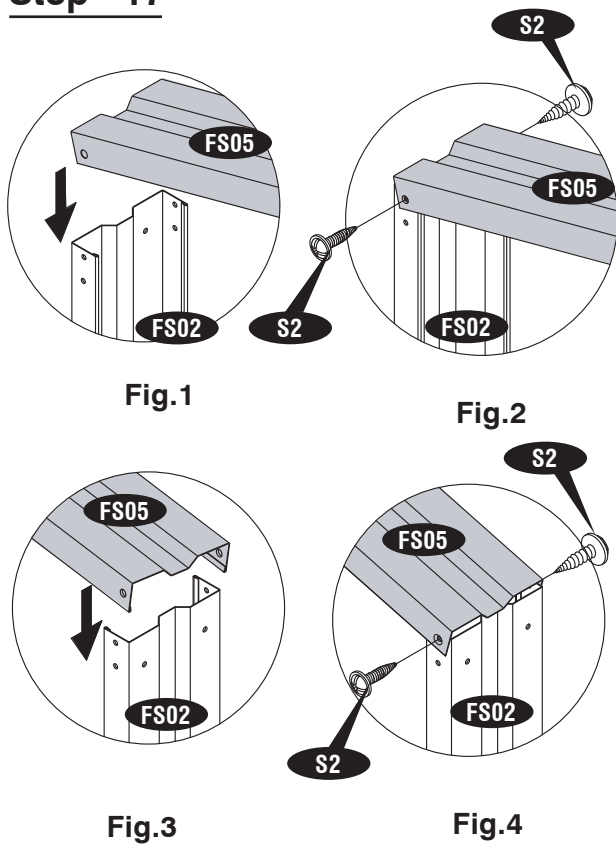


Step - 16

Make 2 Sets

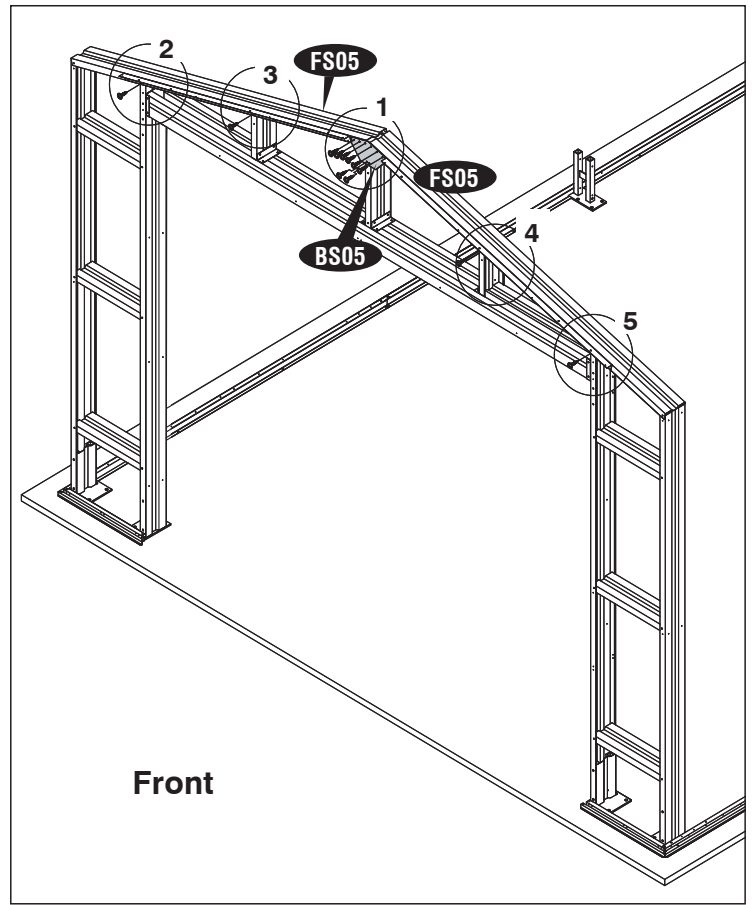
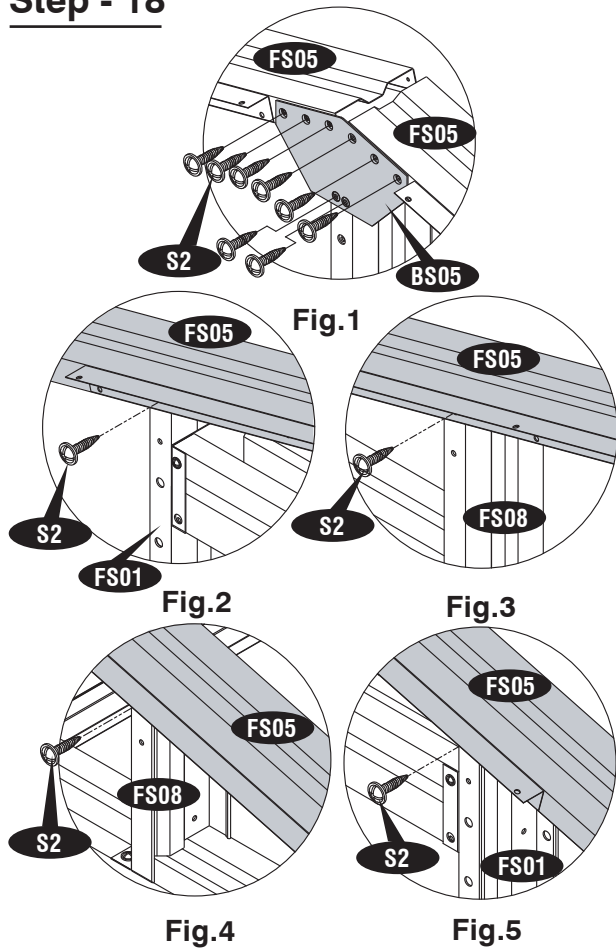


Step - 17

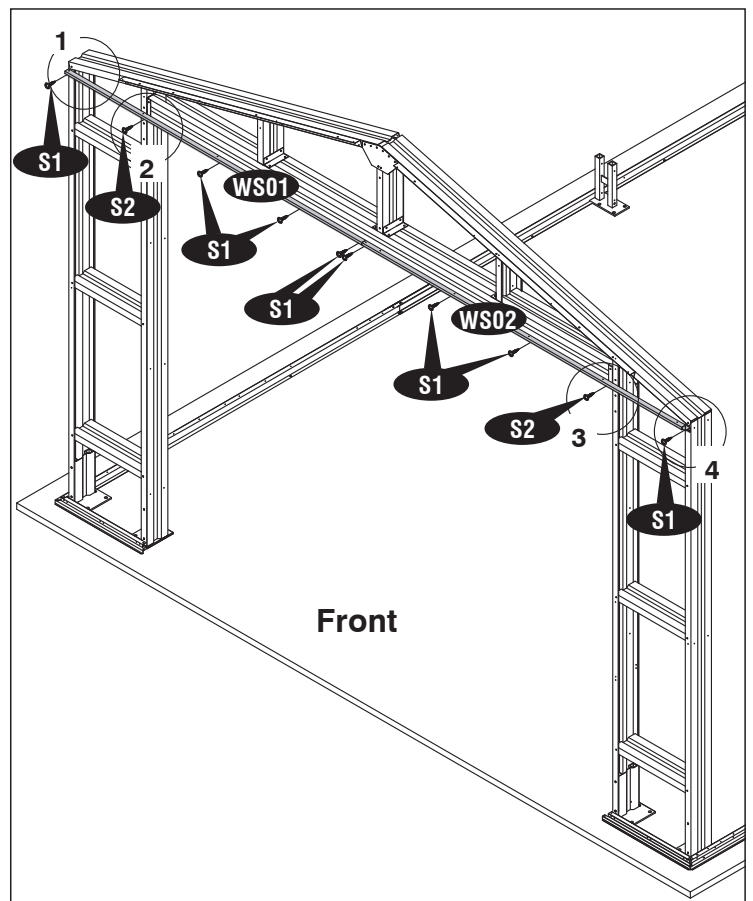
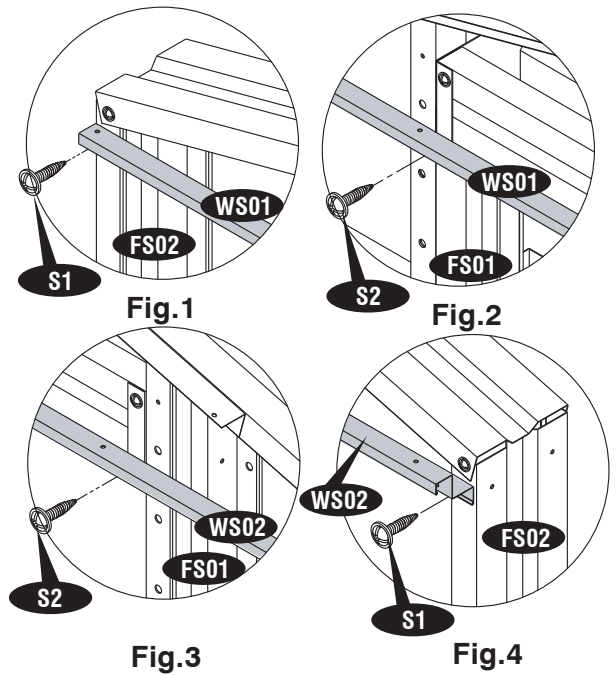


IMPORTANT: USE HAND GLOVES TO PREVENT INJURY.

Step - 18



Step - 19



Step - 20

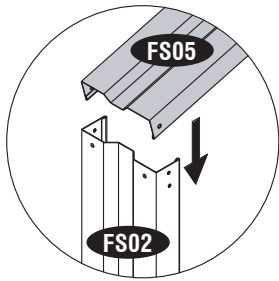


Fig.1

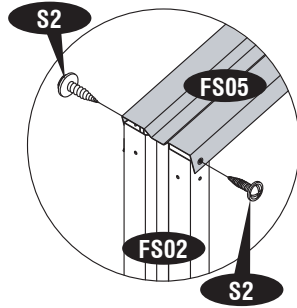


Fig.2

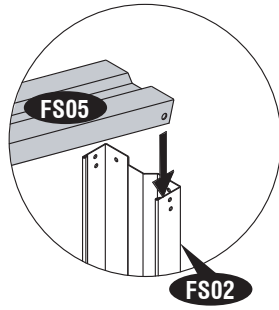


Fig.3

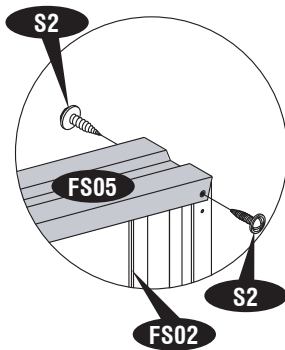
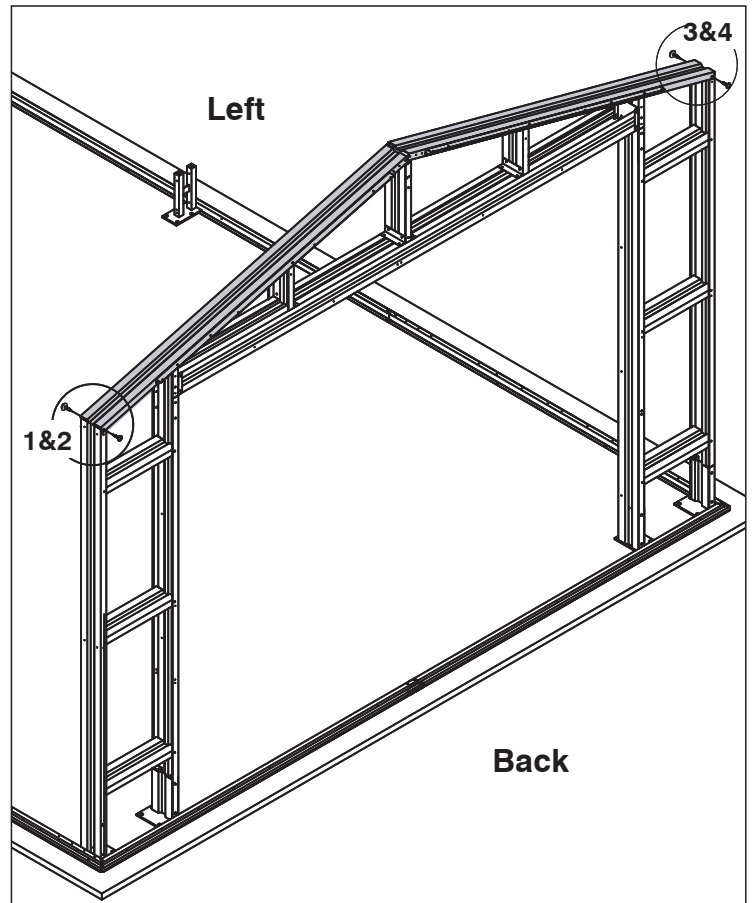


Fig.4



Step - 21

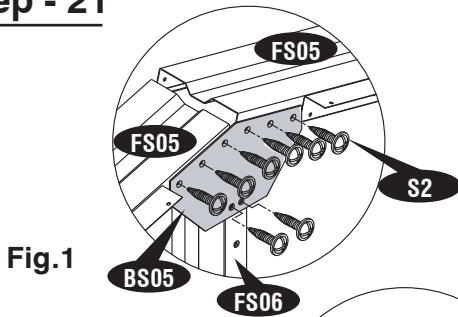


Fig.1

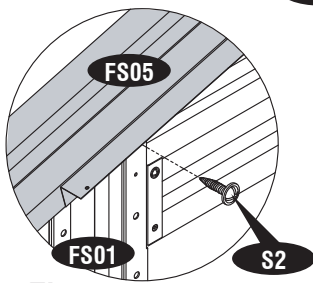


Fig.2

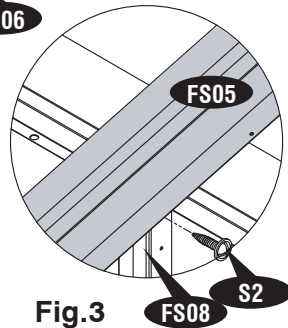


Fig.3

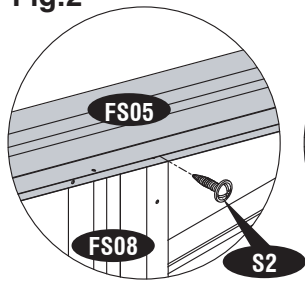


Fig.4

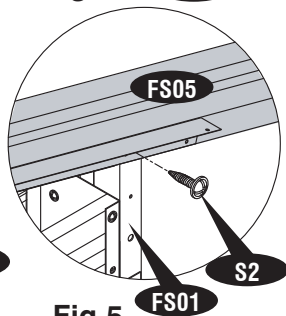
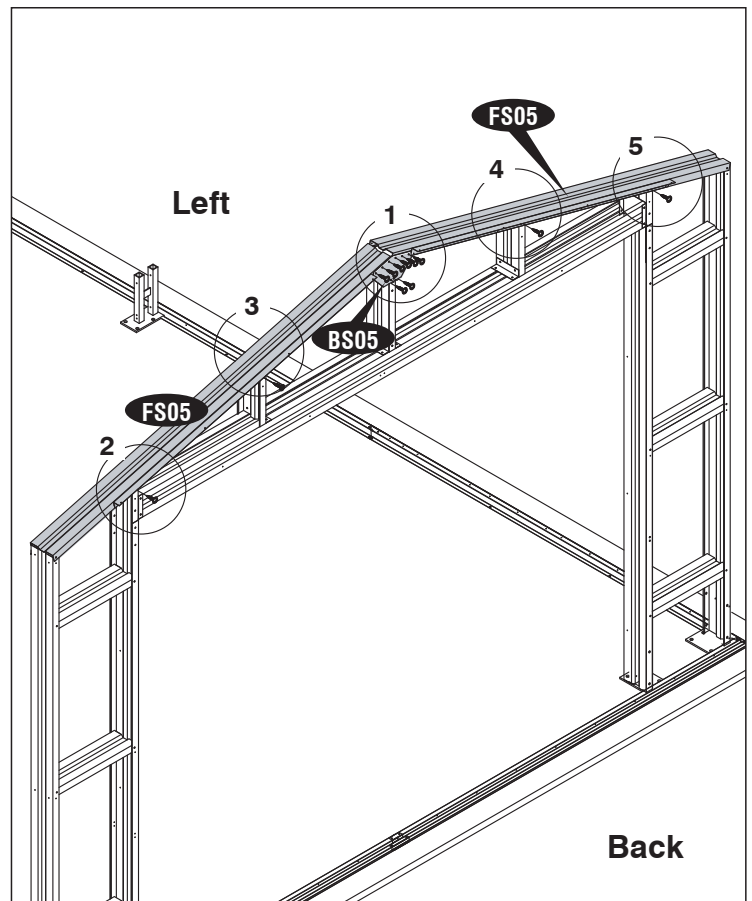


Fig.5



IMPORTANT: USE HAND GLOVES TO PREVENT INJURY.

Step - 22

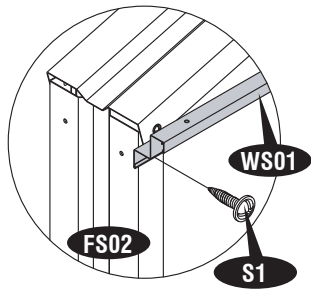


Fig.1

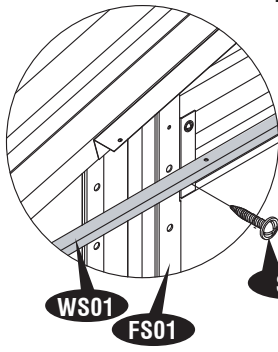


Fig.2

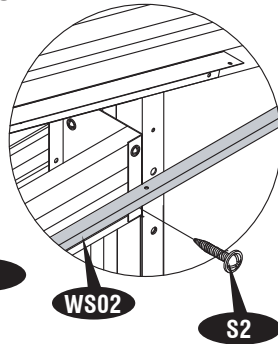
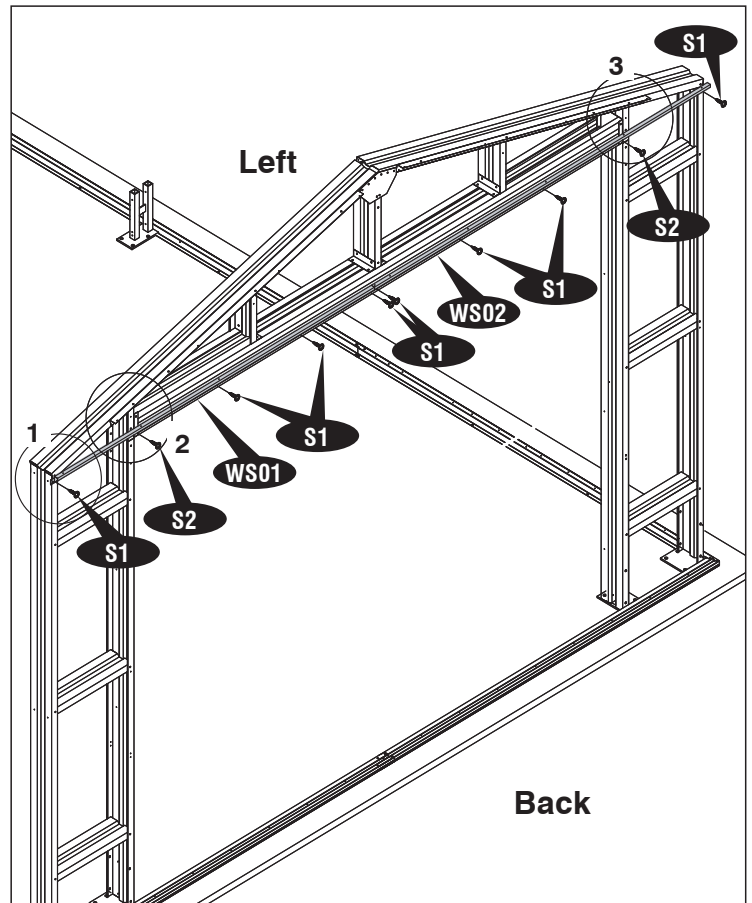


Fig.3



Step - 23

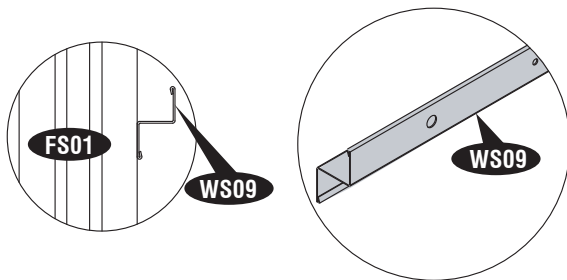


Fig.1

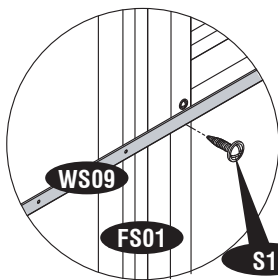


Fig. 2

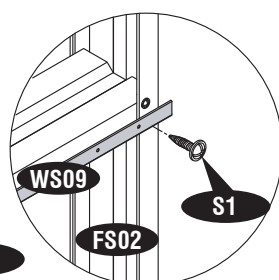
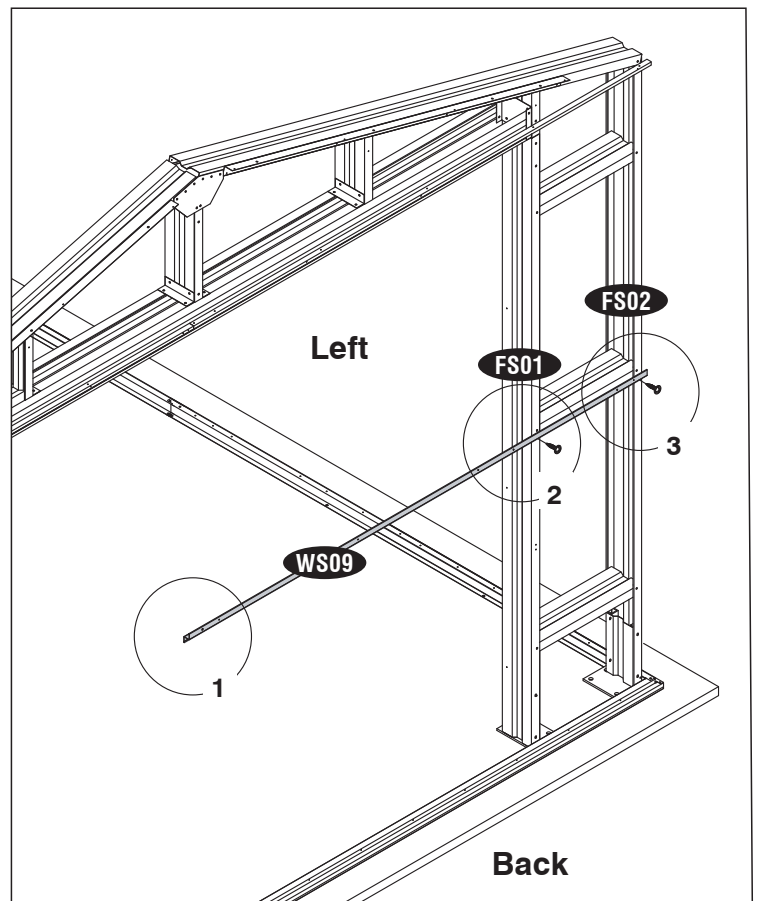


Fig.3



Step - 24

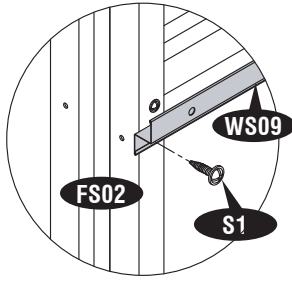


Fig.1



Fig.2

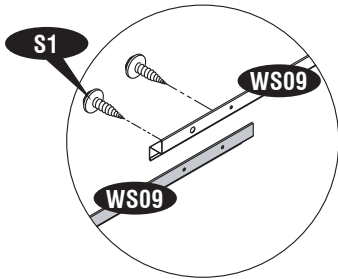
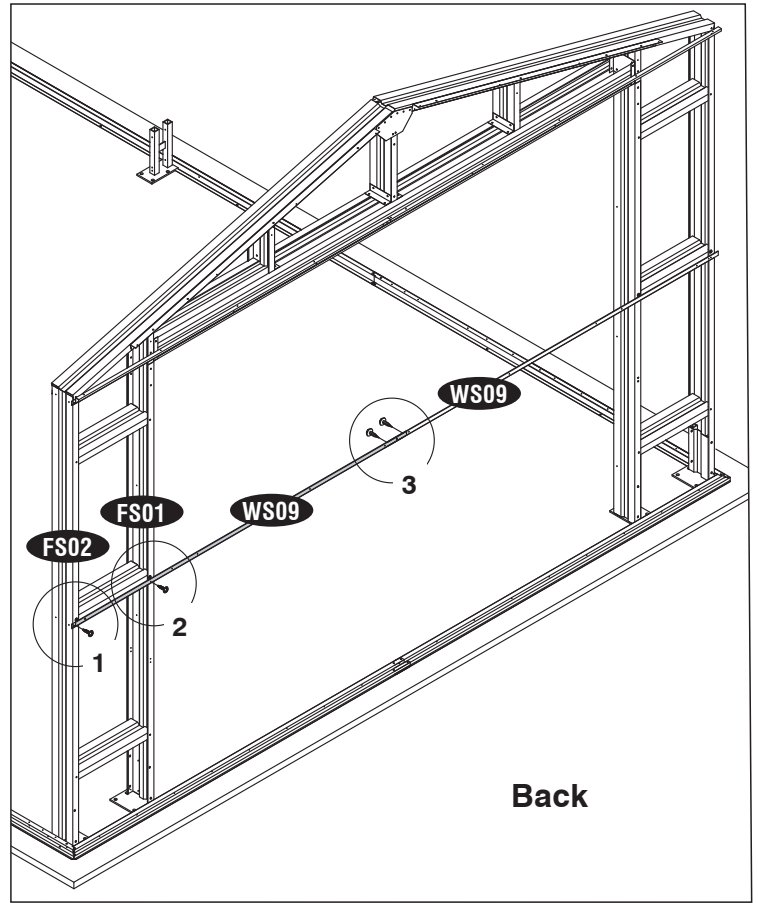


Fig.3



Back

Step - 25

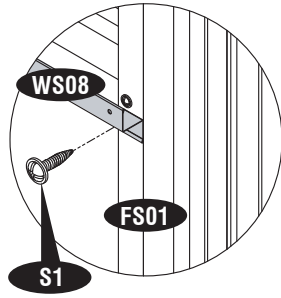


Fig.1

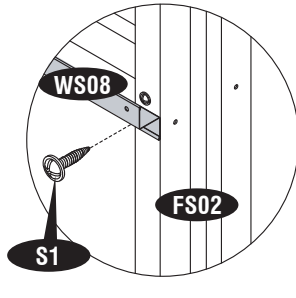


Fig. 2

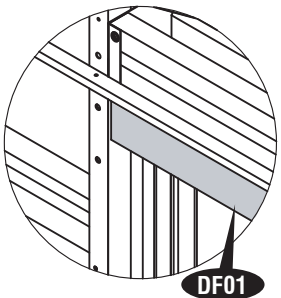


Fig.3

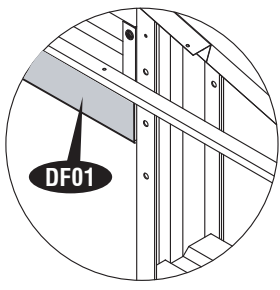
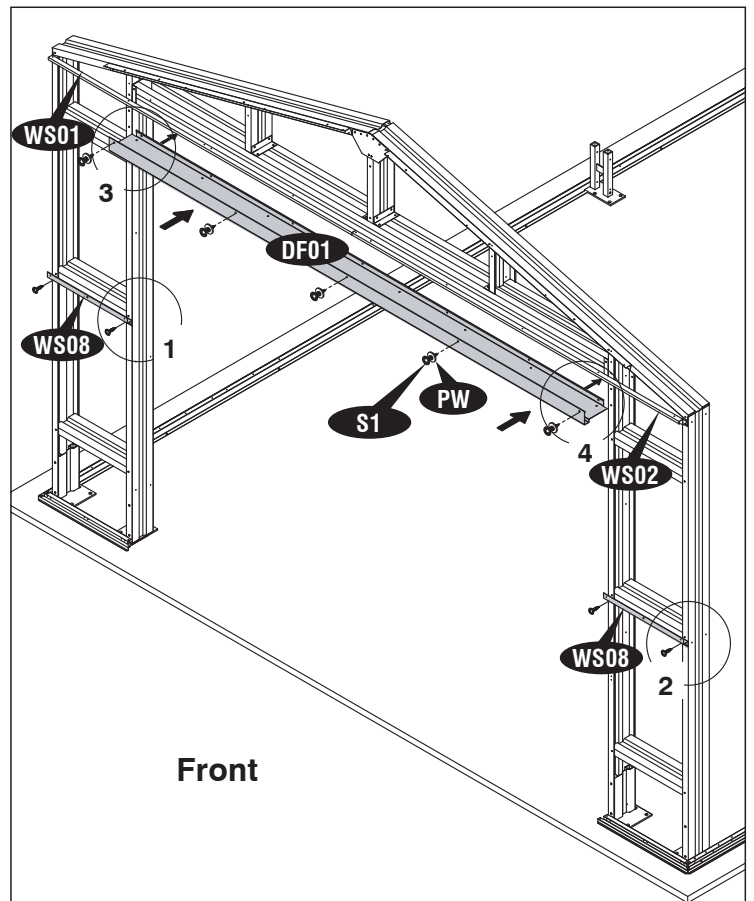


Fig. 4



Front

IMPORTANT: USE HAND GLOVES TO PREVENT INJURY.

Step - 26



It is important that Use S1 Screws first.

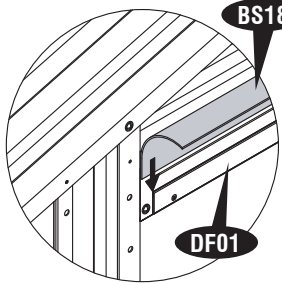
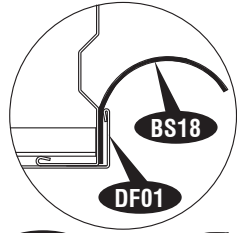


Fig.1

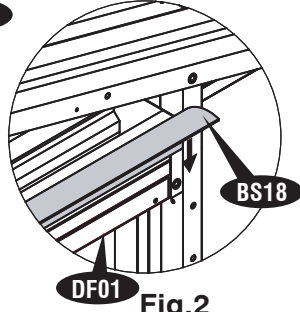


Fig.2

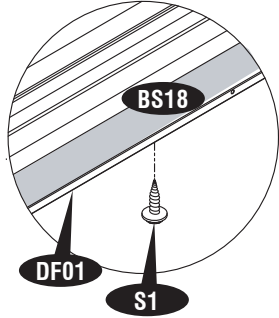


Fig.3

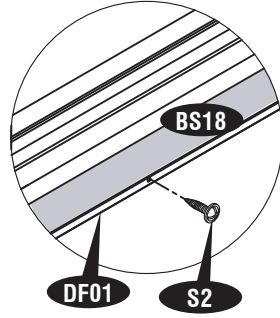
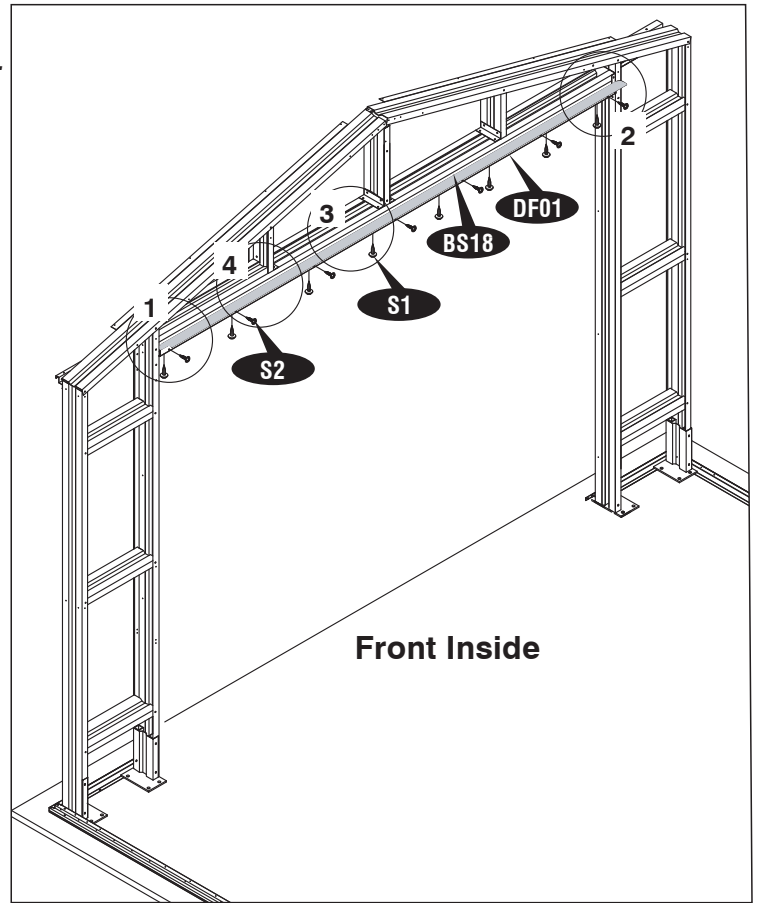


Fig.4



Front Inside

Step - 27

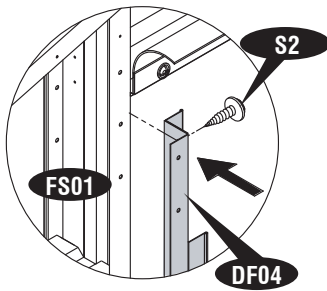


Fig.1

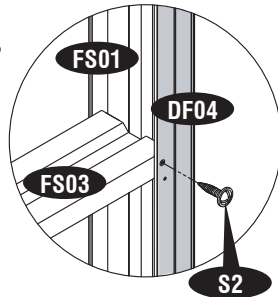


Fig.2

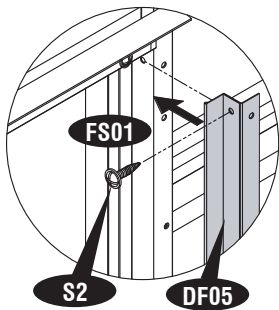


Fig.3

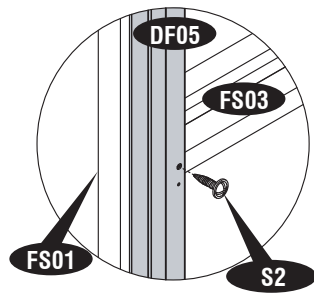
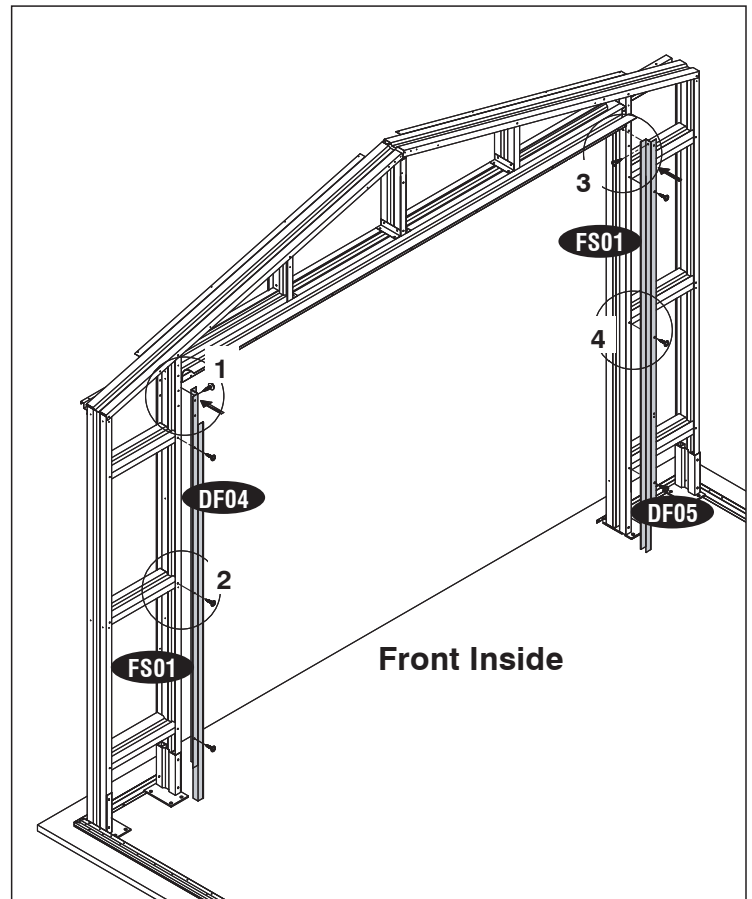


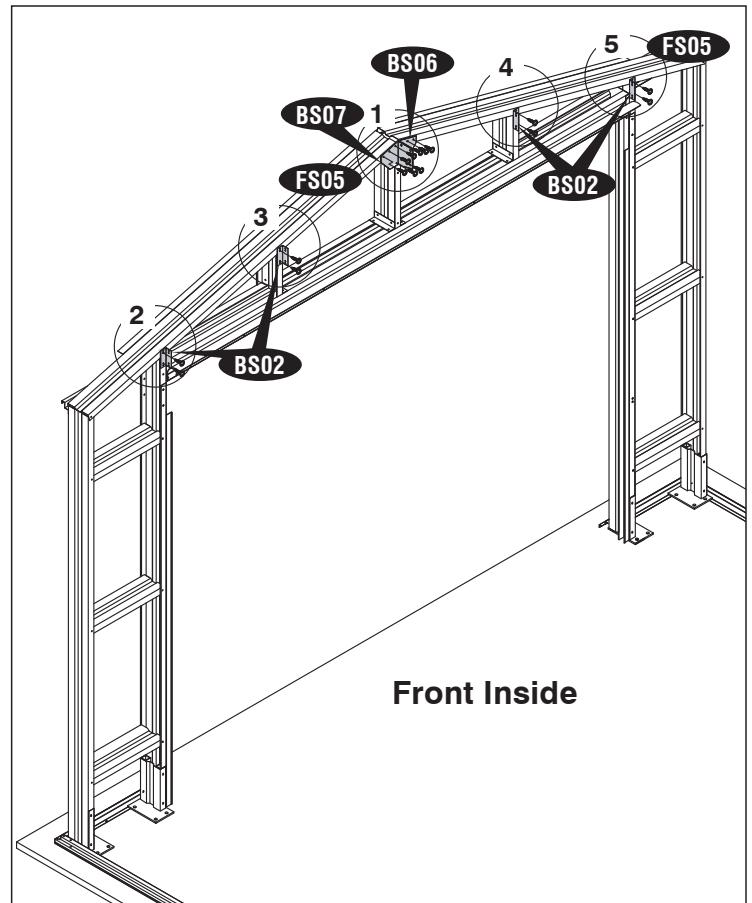
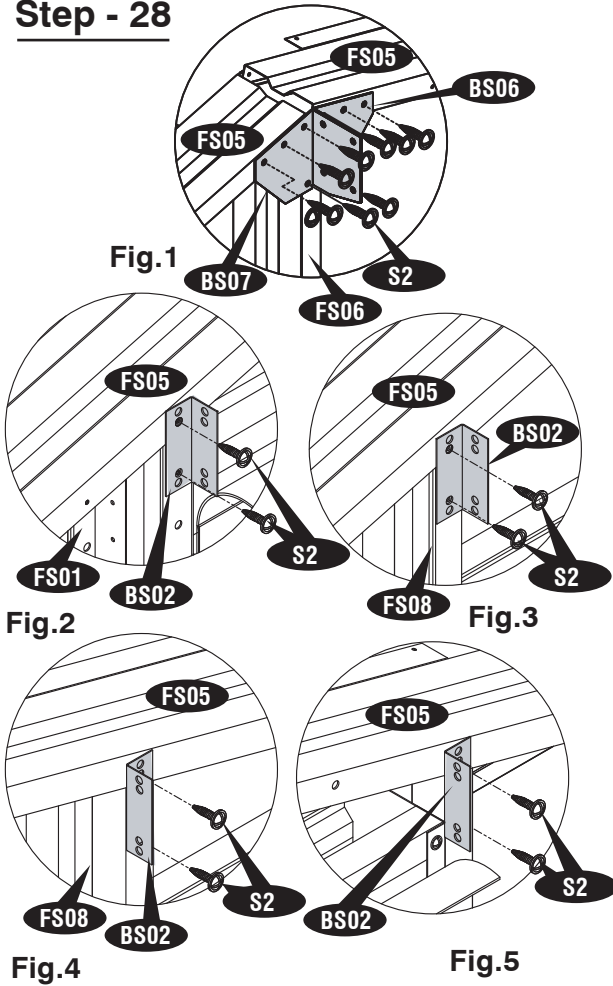
Fig.4



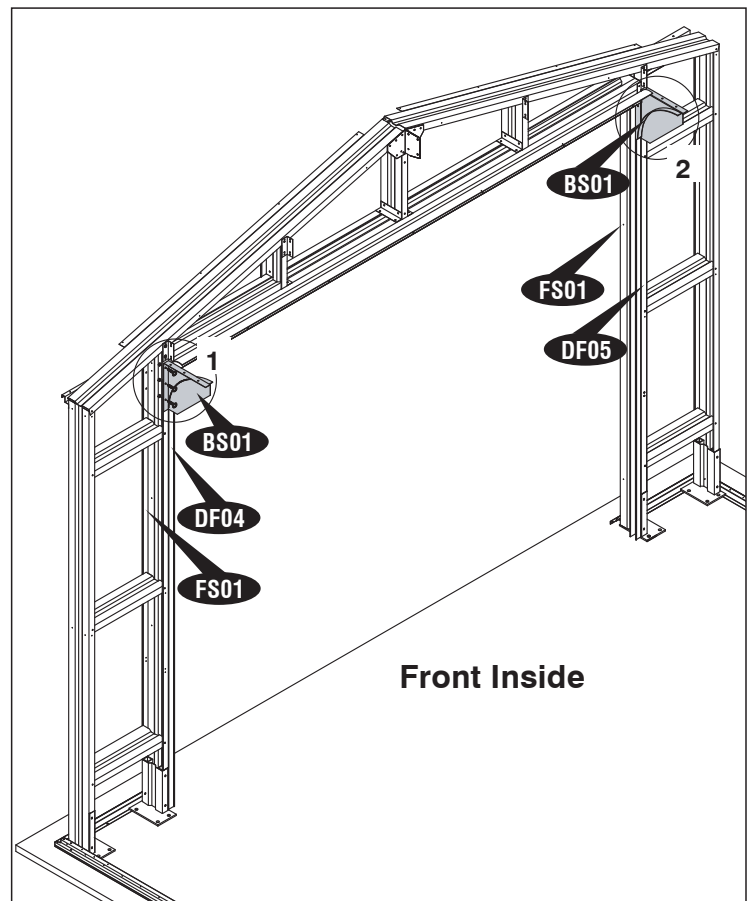
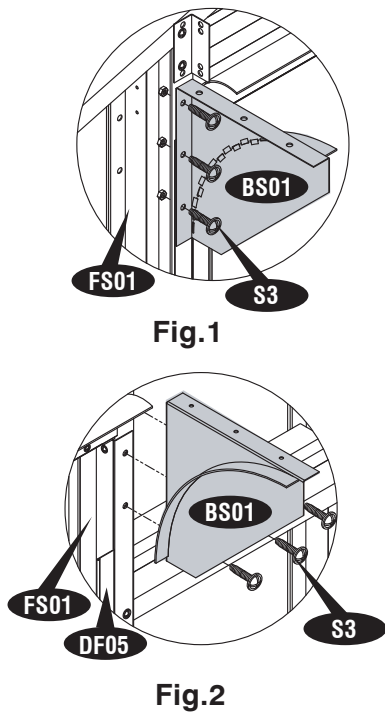
Front Inside

IMPORTANT: USE HAND GLOVES TO PREVENT INJURY.

Step - 28



Step - 29



Step - 30

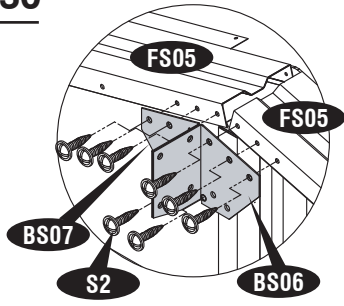


Fig.1

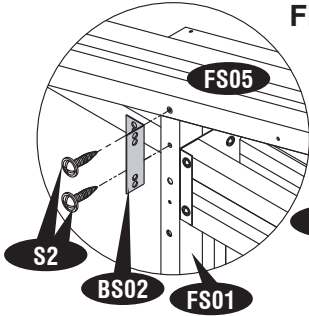


Fig.2

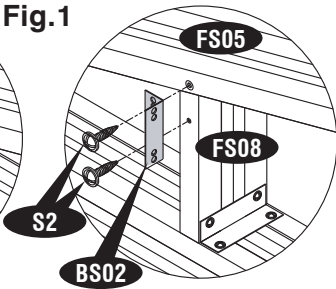


Fig.3

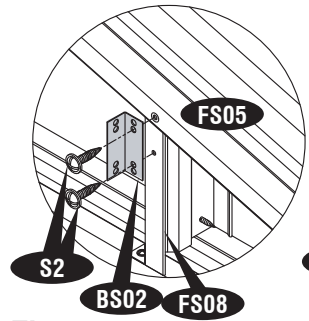


Fig.4

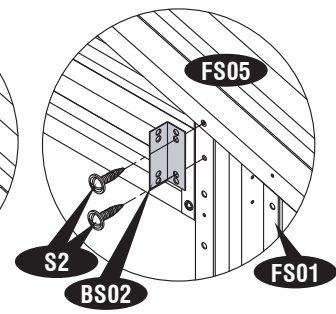
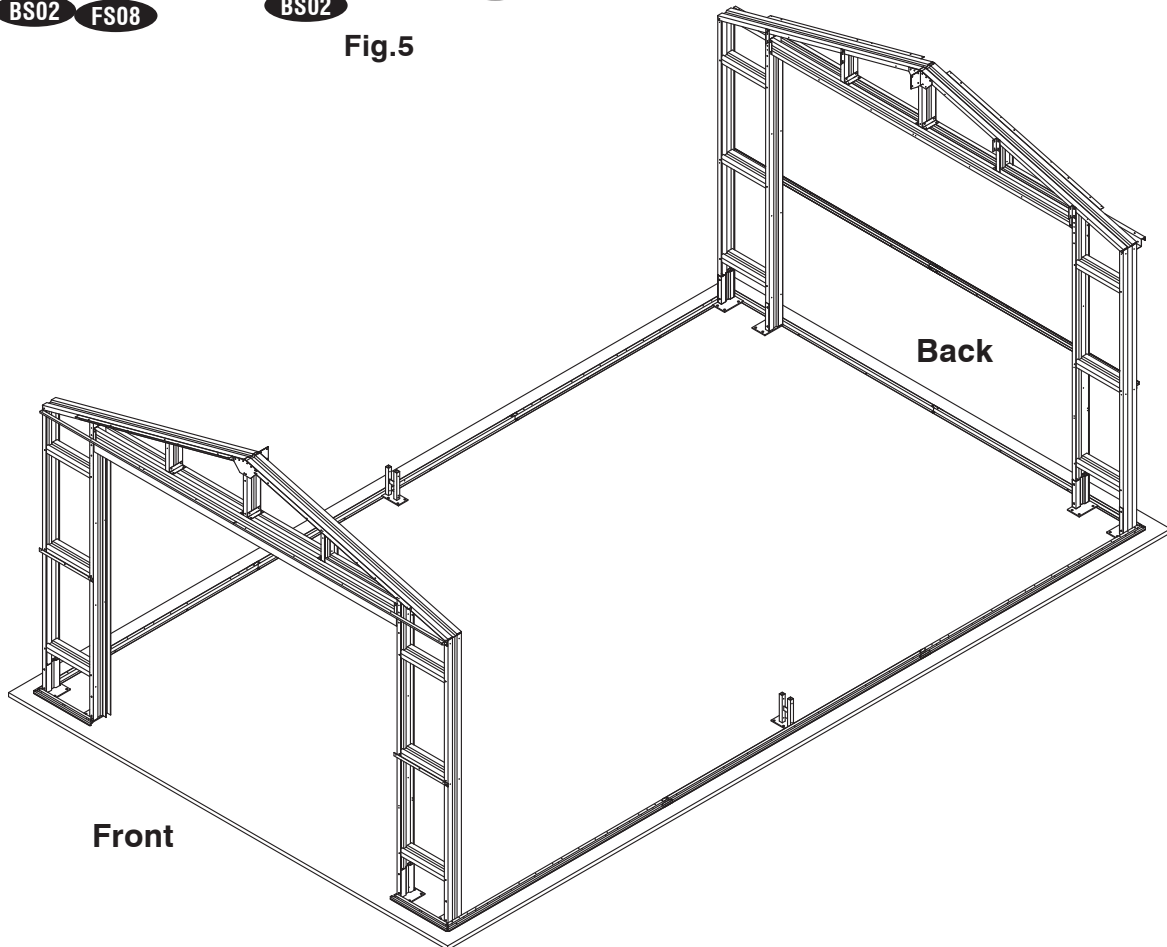
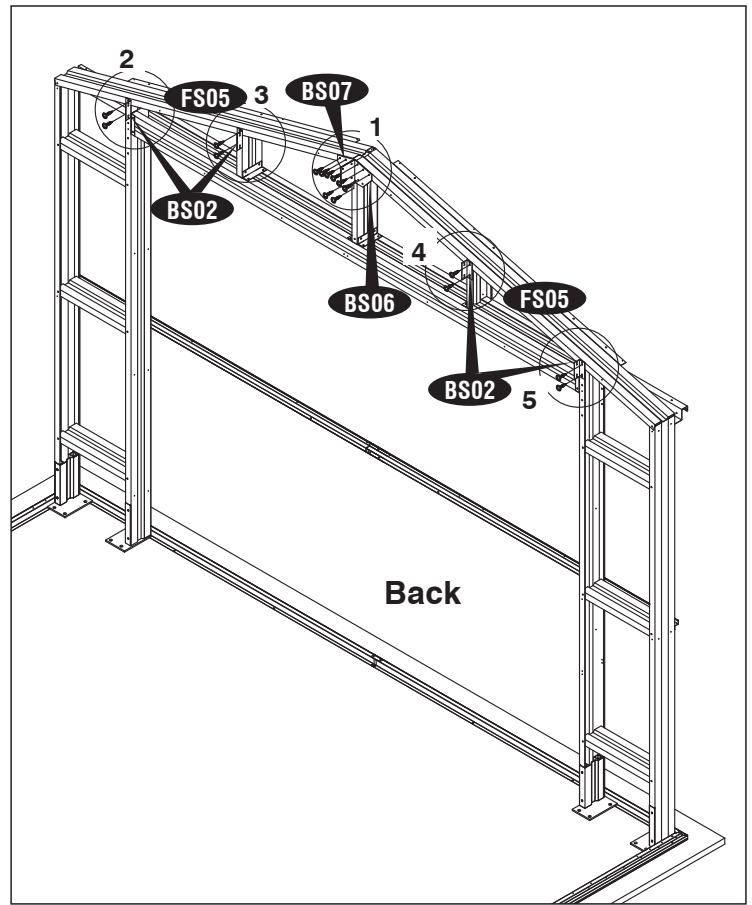


Fig.5

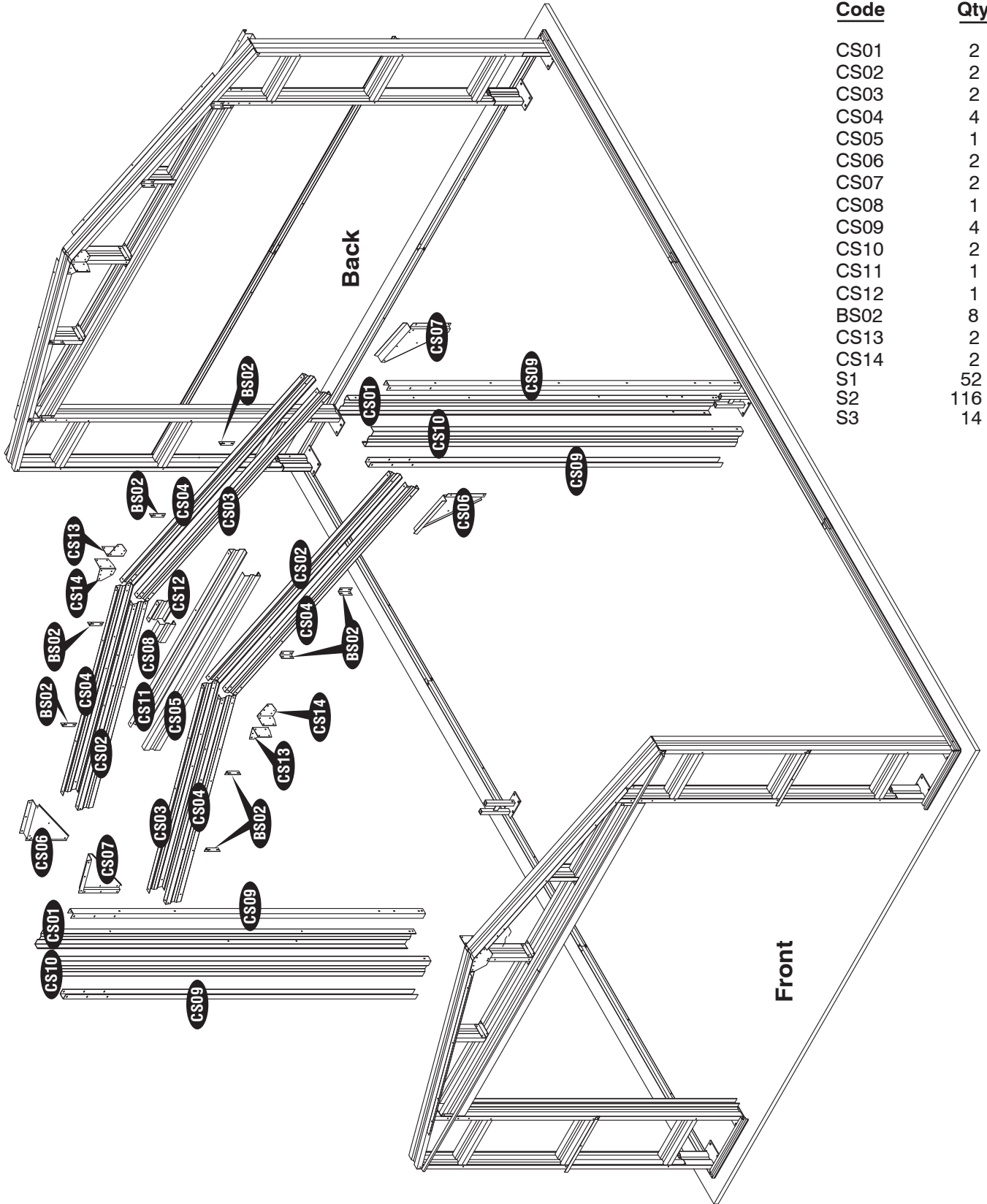


IMPORTANT: USE HAND GLOVES TO PREVENT INJURY.

C. Center Structure Assembly

Parts Needed:

Code	Qty.
CS01	2
CS02	2
CS03	2
CS04	4
CS05	1
CS06	2
CS07	2
CS08	1
CS09	4
CS10	2
CS11	1
CS12	1
BS02	8
CS13	2
CS14	2
S1	52
S2	116
S3	14



Step - 1

Make 2 Sets

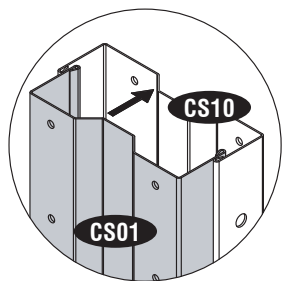


Fig.1

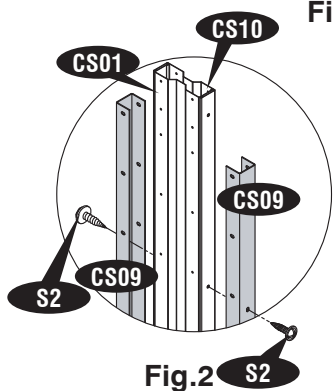


Fig.2

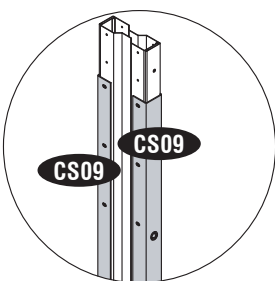
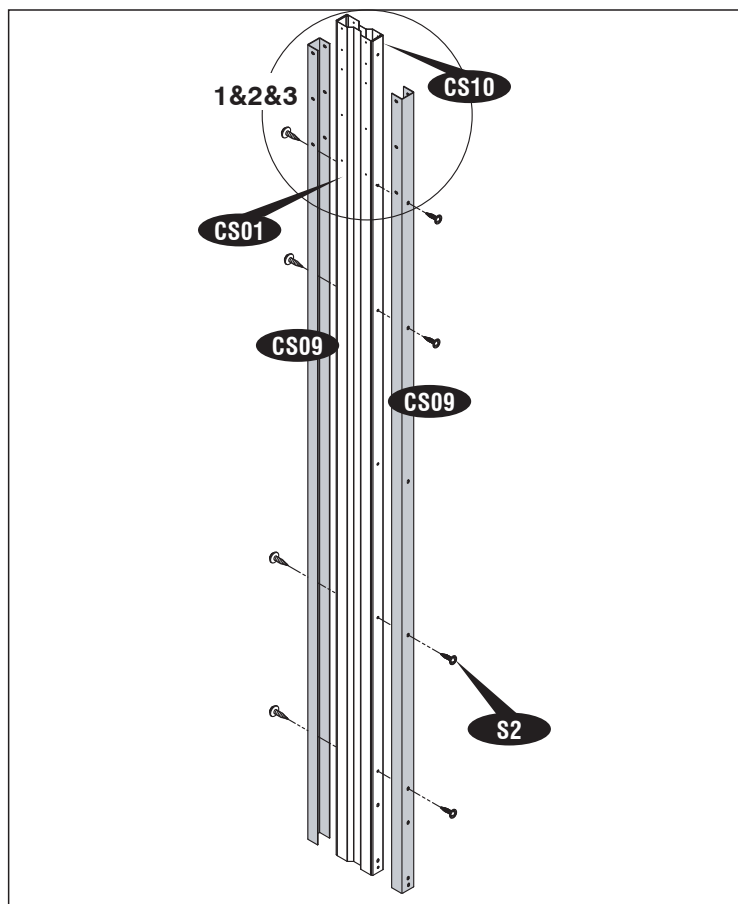
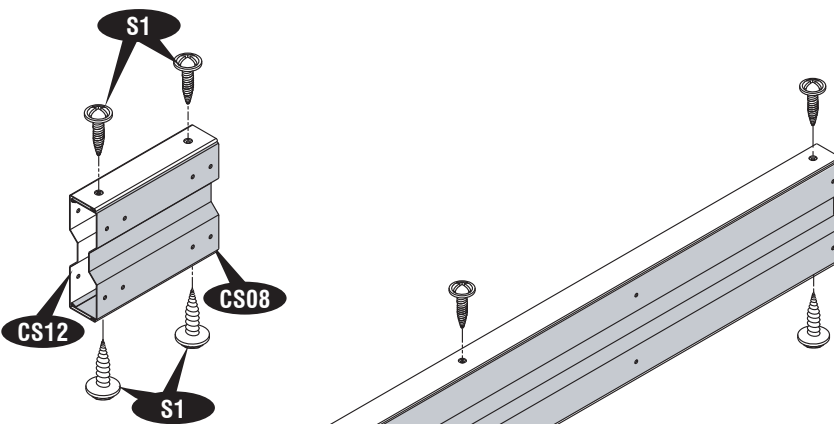
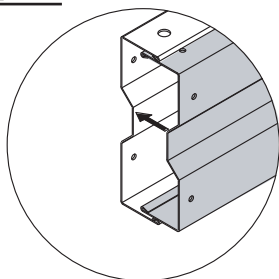


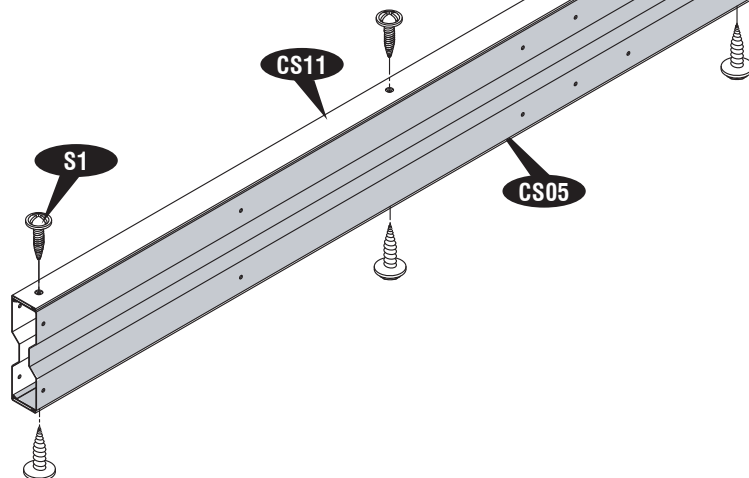
Fig.3



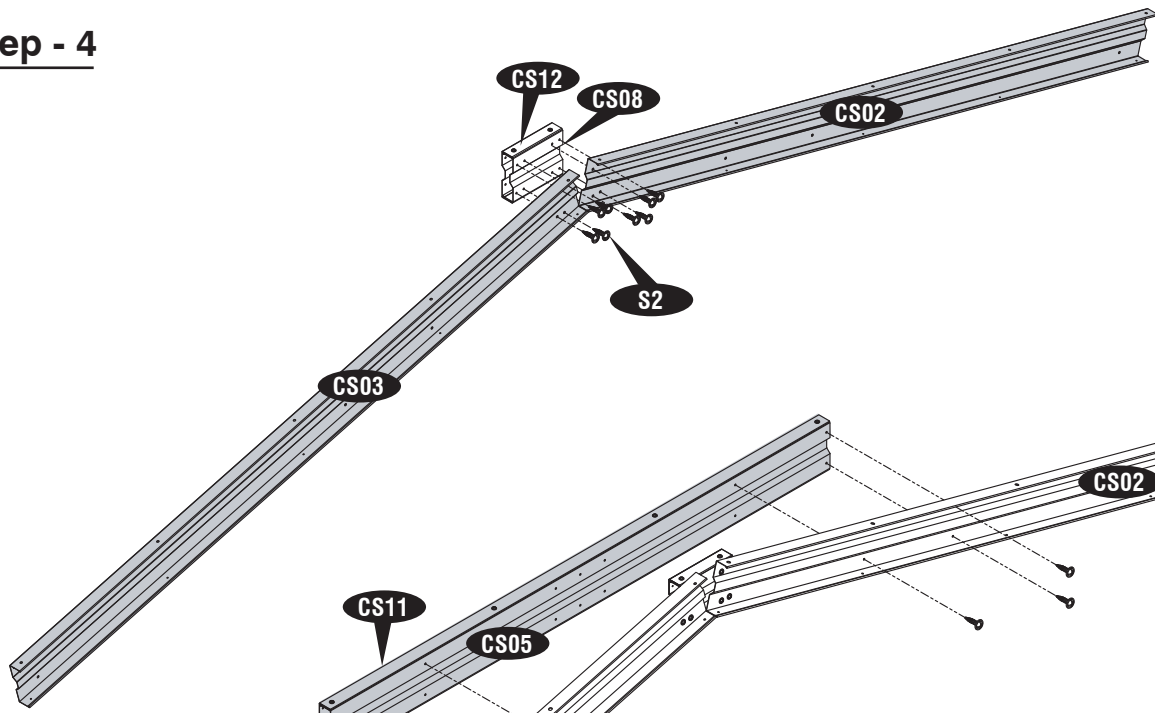
Step - 2



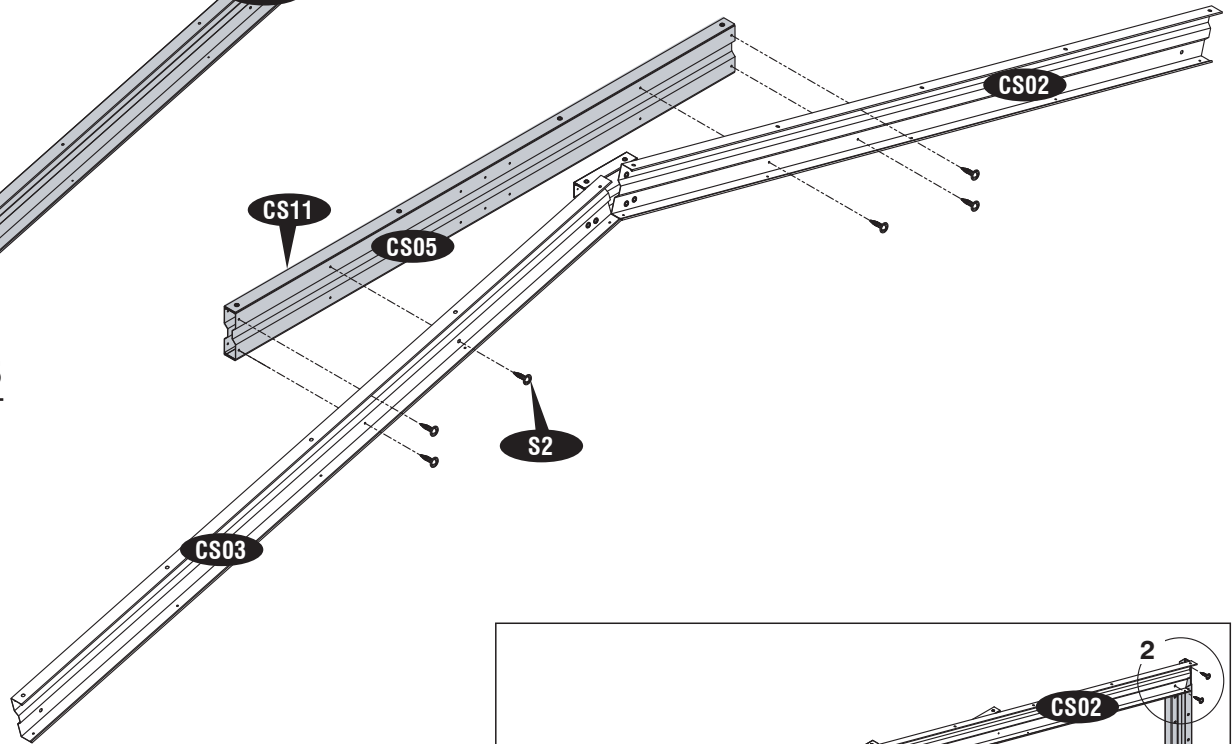
Step - 3



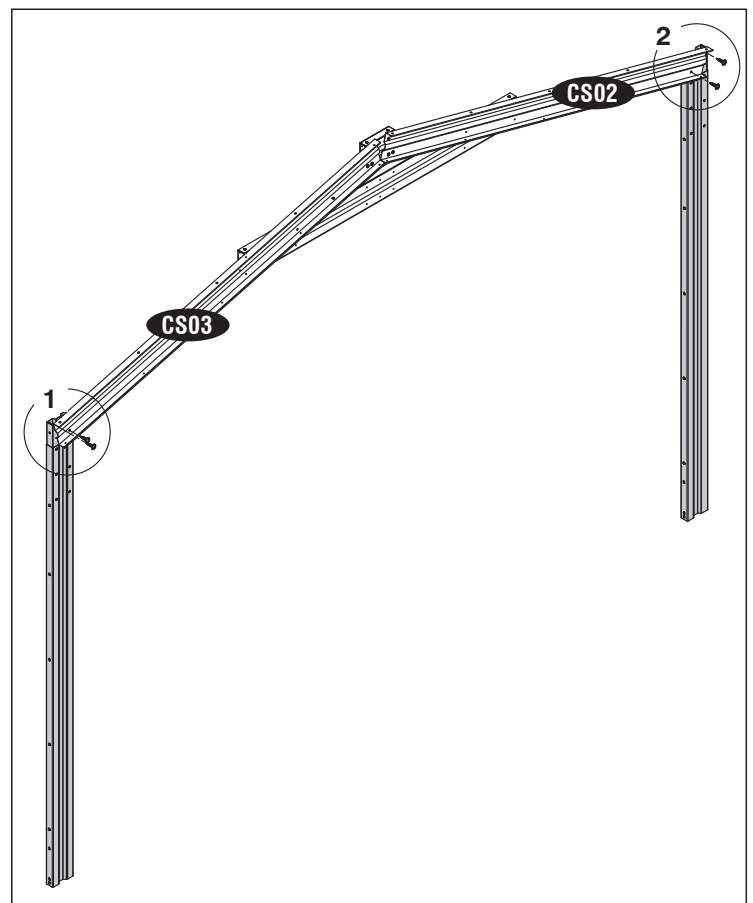
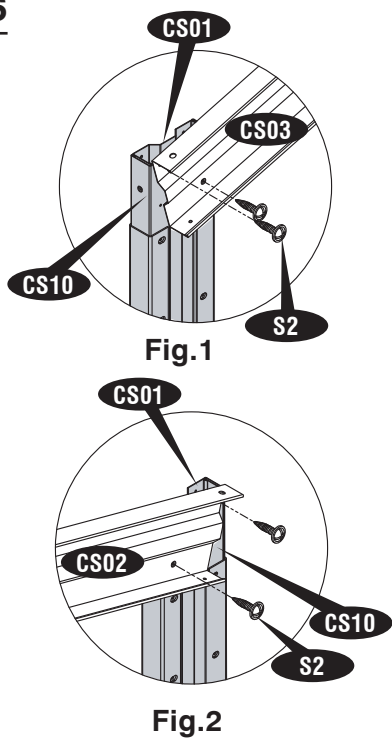
Step - 4



Step - 5



Step - 6



IMPORTANT: USE HAND GLOVES TO PREVENT INJURY.

Step -7

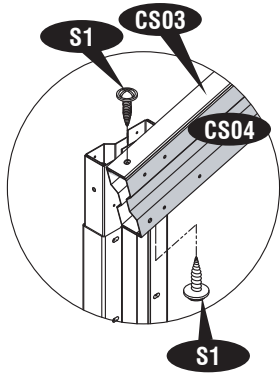
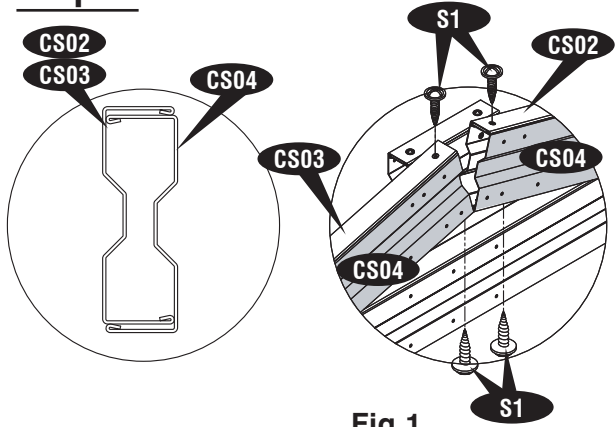


Fig.2

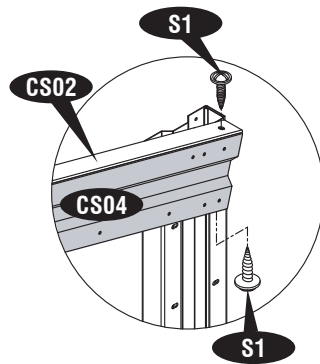
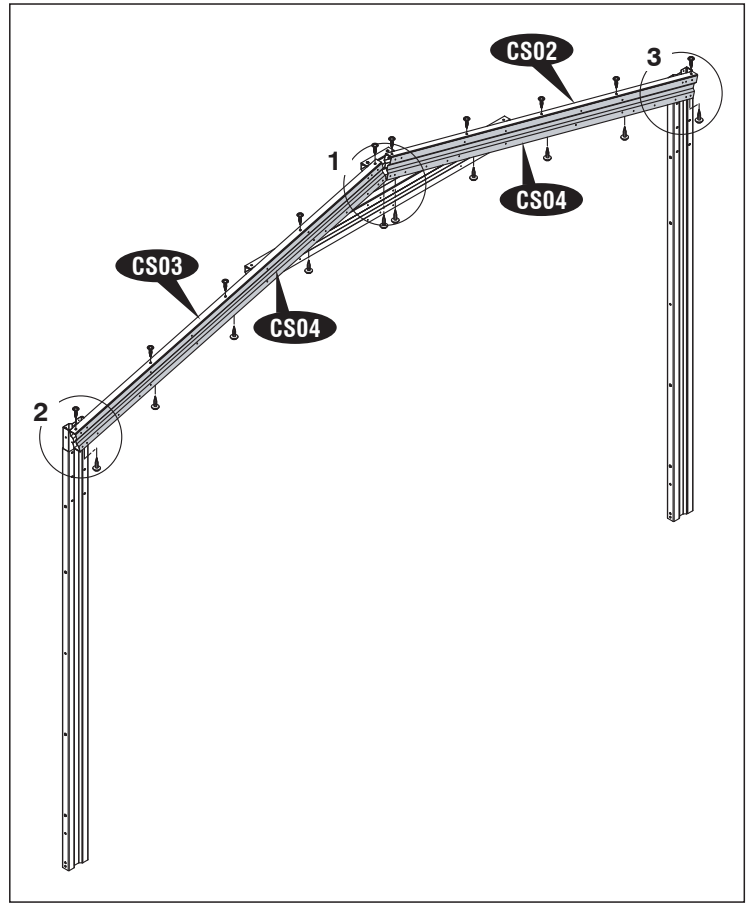


Fig.3



Step -8

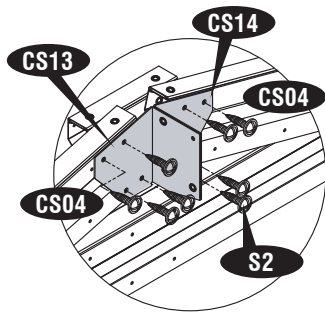
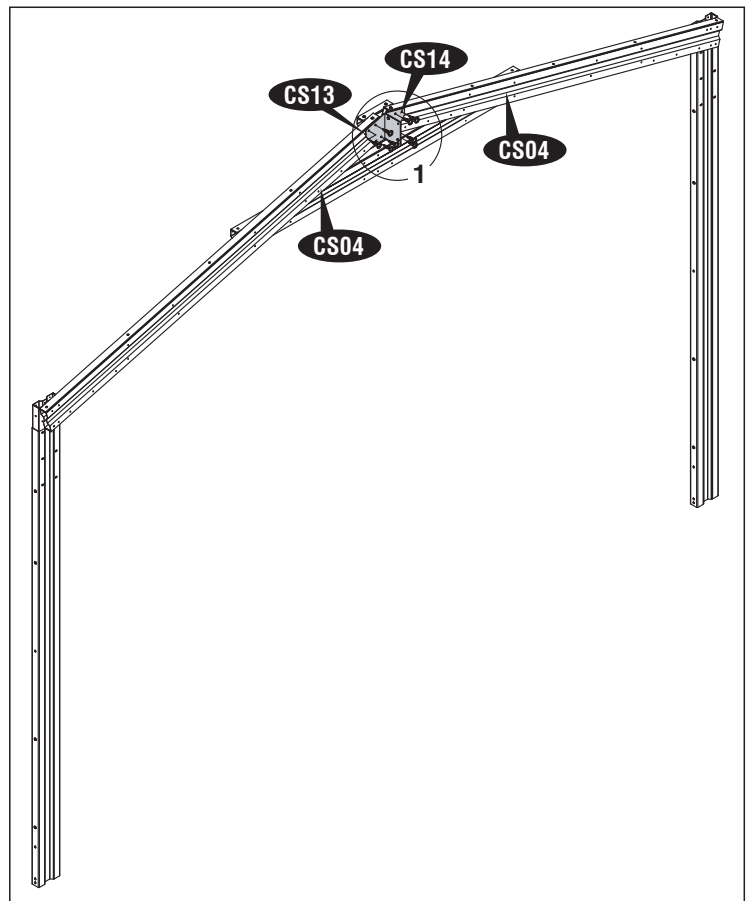


Fig.1



IMPORTANT: USE HAND GLOVES TO PREVENT INJURY.

Step -9

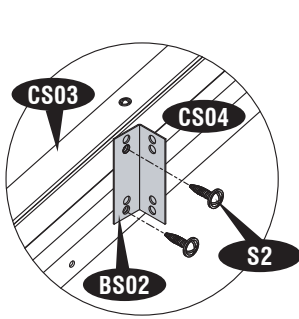


Fig.1

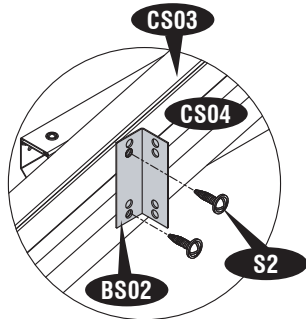


Fig.2

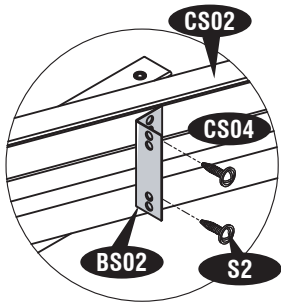


Fig.3

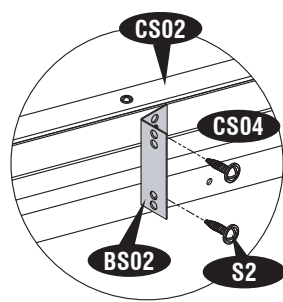
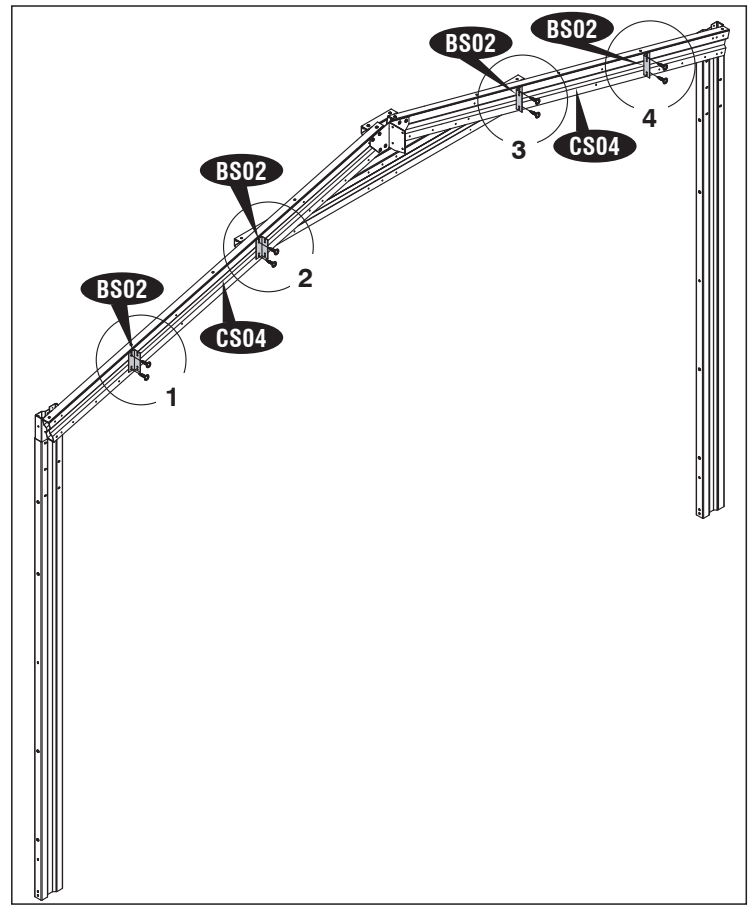


Fig.4



Step -10

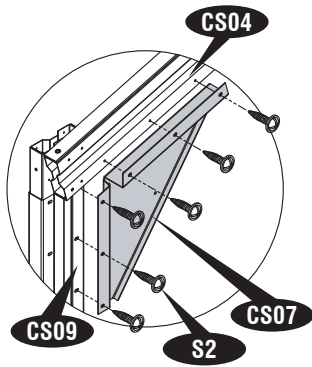


Fig.1

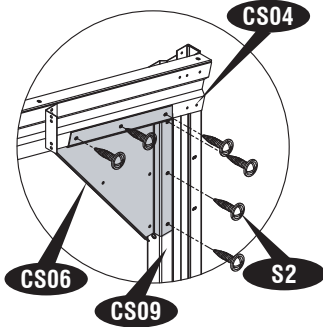
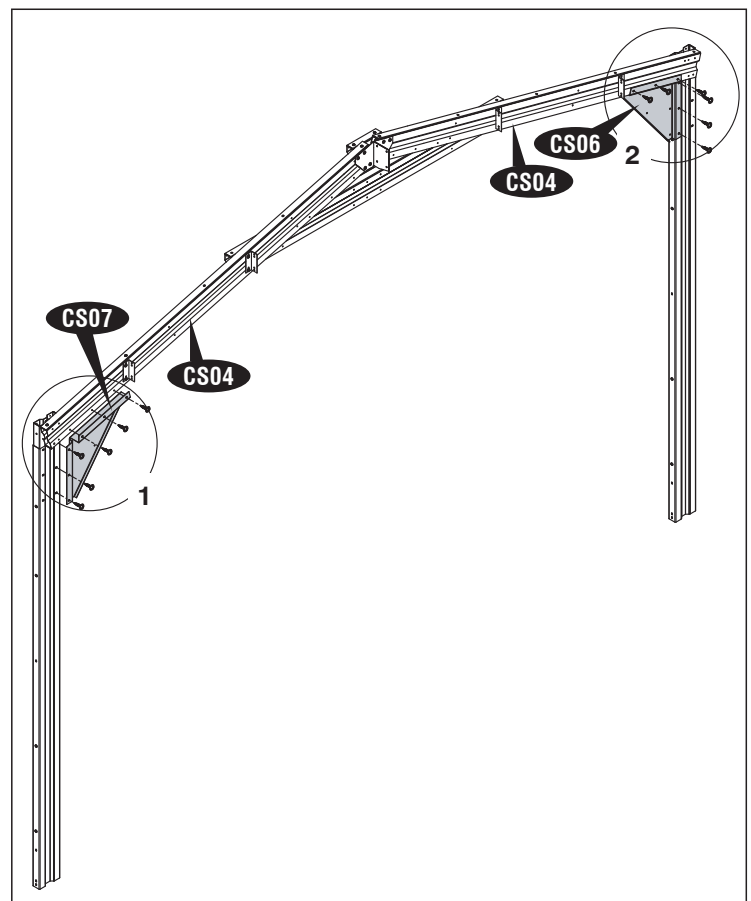
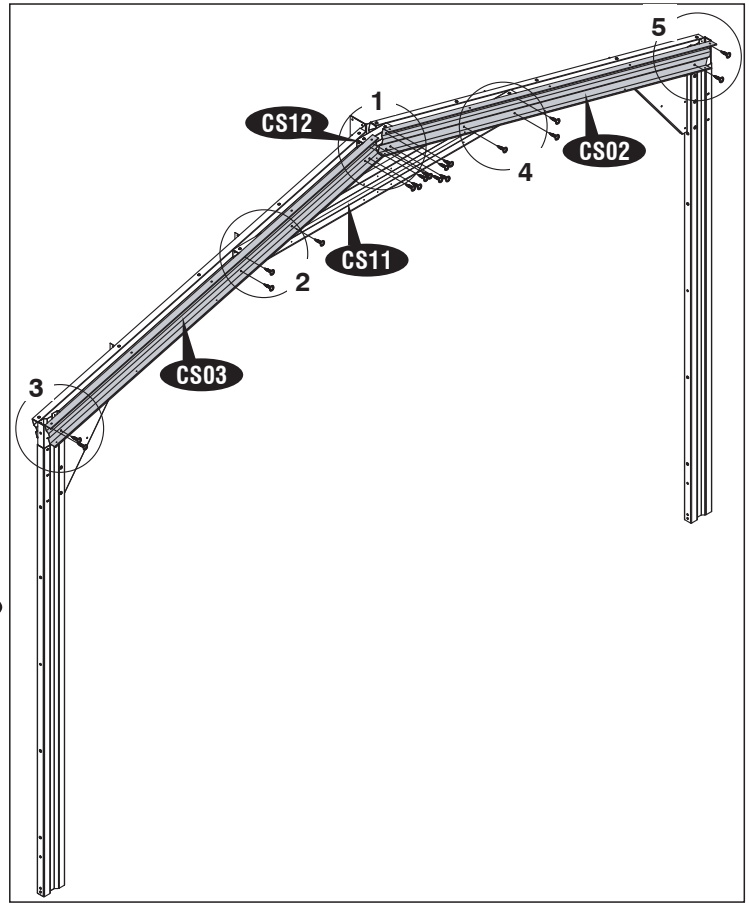
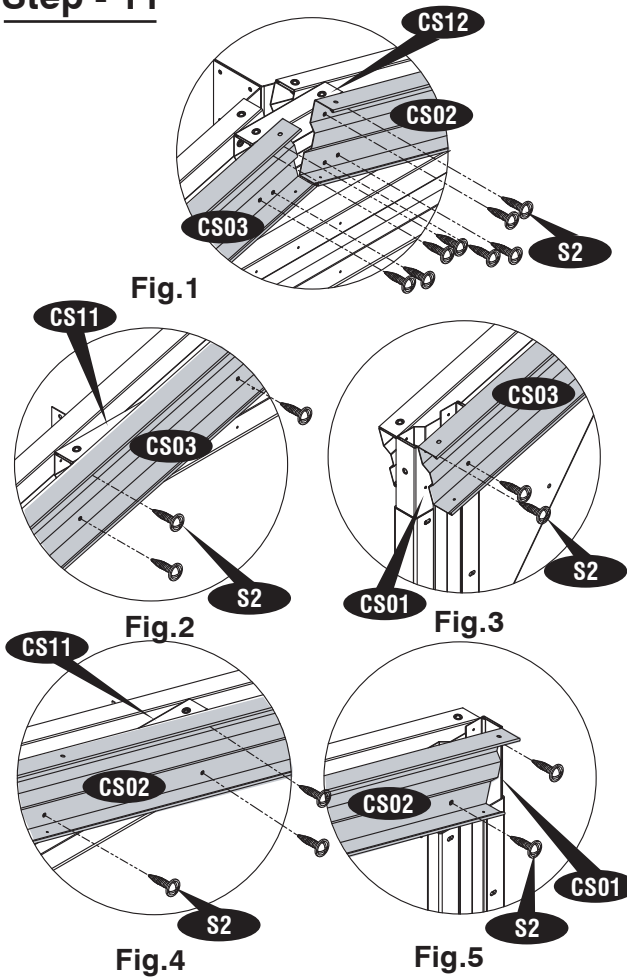


Fig.2

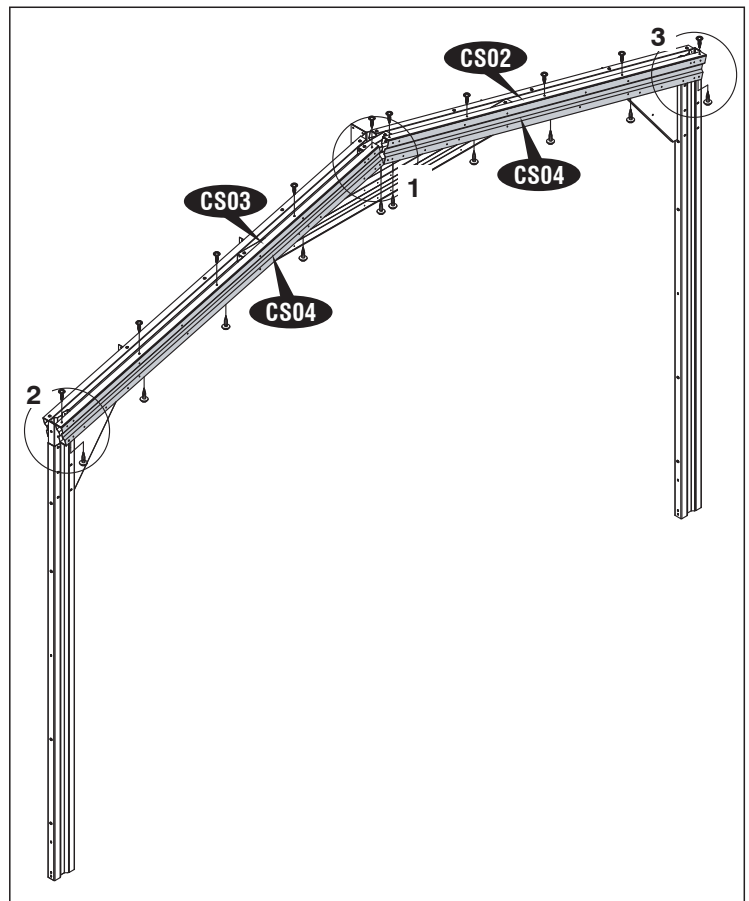
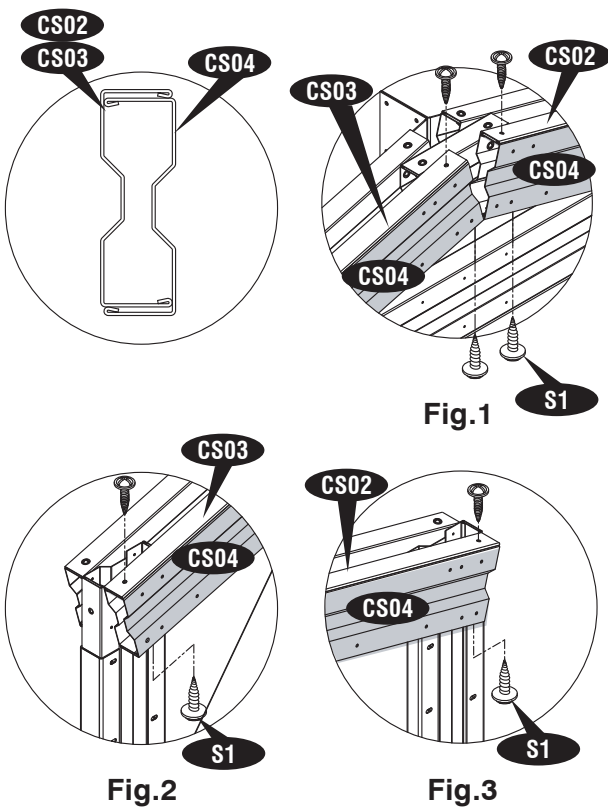


IMPORTANT: USE HAND GLOVES TO PREVENT INJURY.

Step - 11



Step - 12



Step - 13

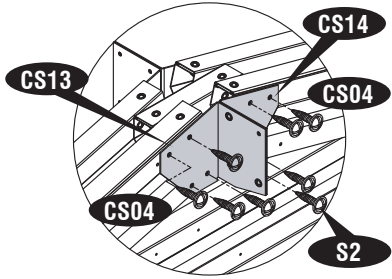
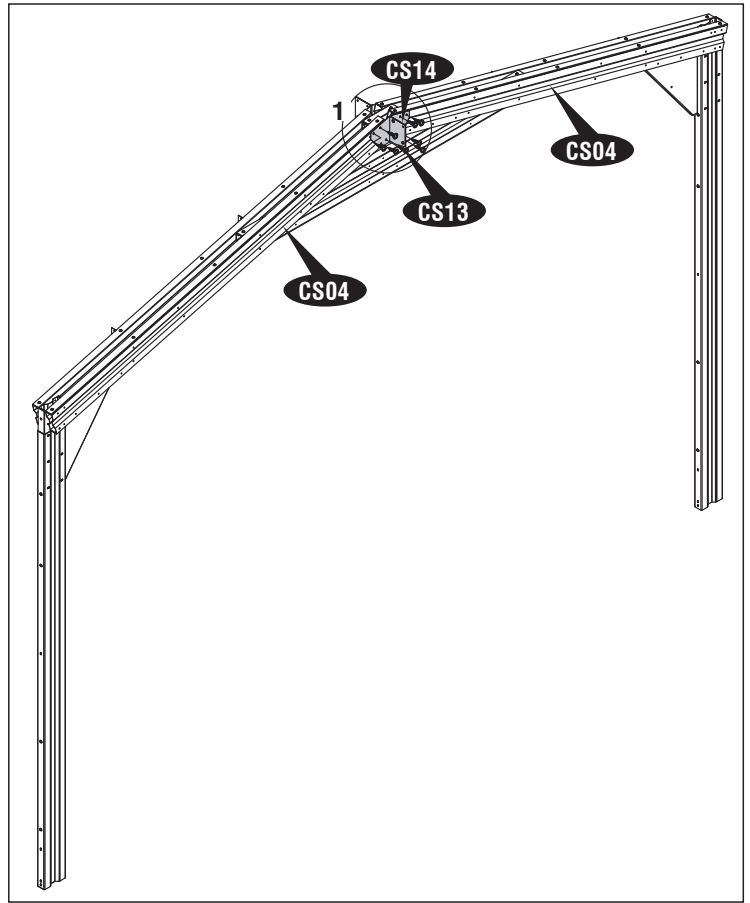


Fig.1



Step - 14

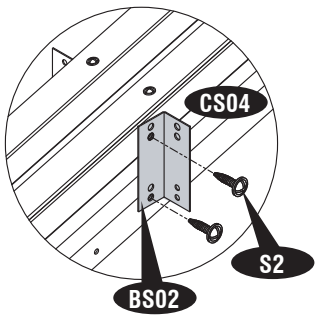


Fig.1

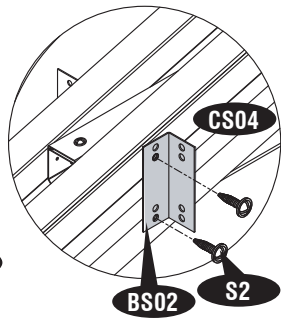


Fig.2

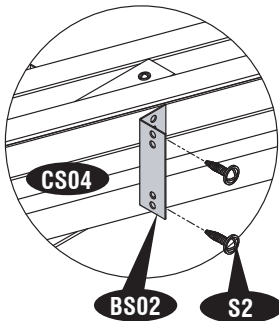


Fig.3

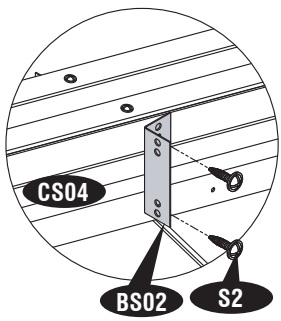
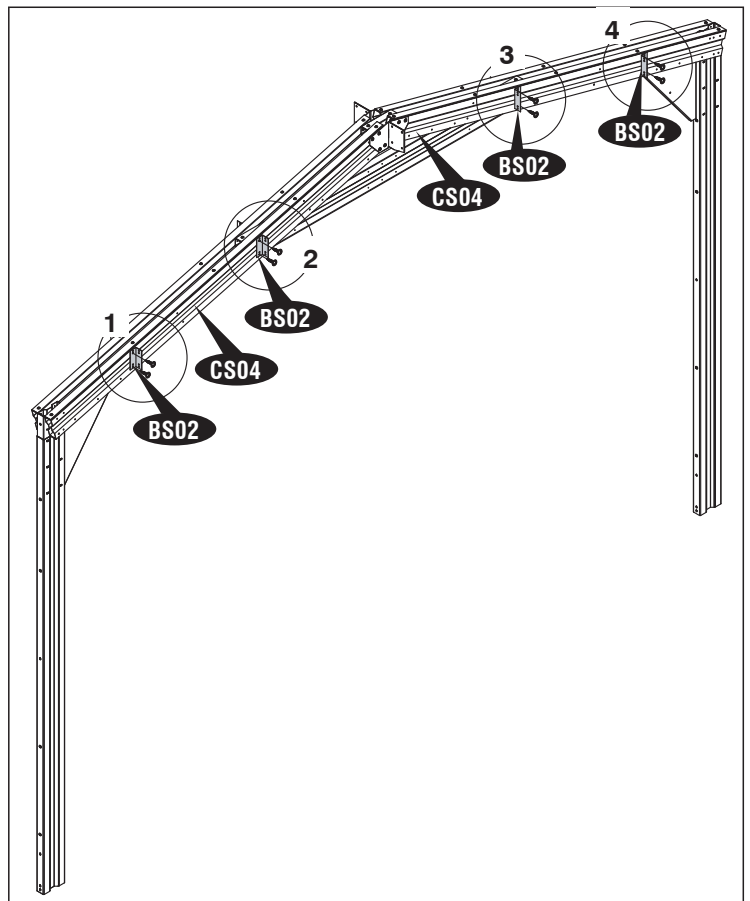


Fig.4



IMPORTANT: USE HAND GLOVES TO PREVENT INJURY.

Step - 15

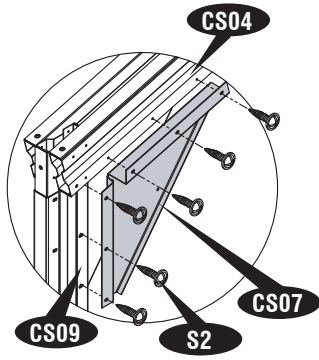


Fig.1

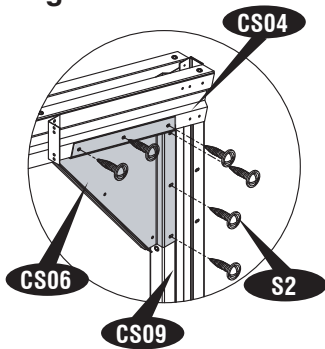
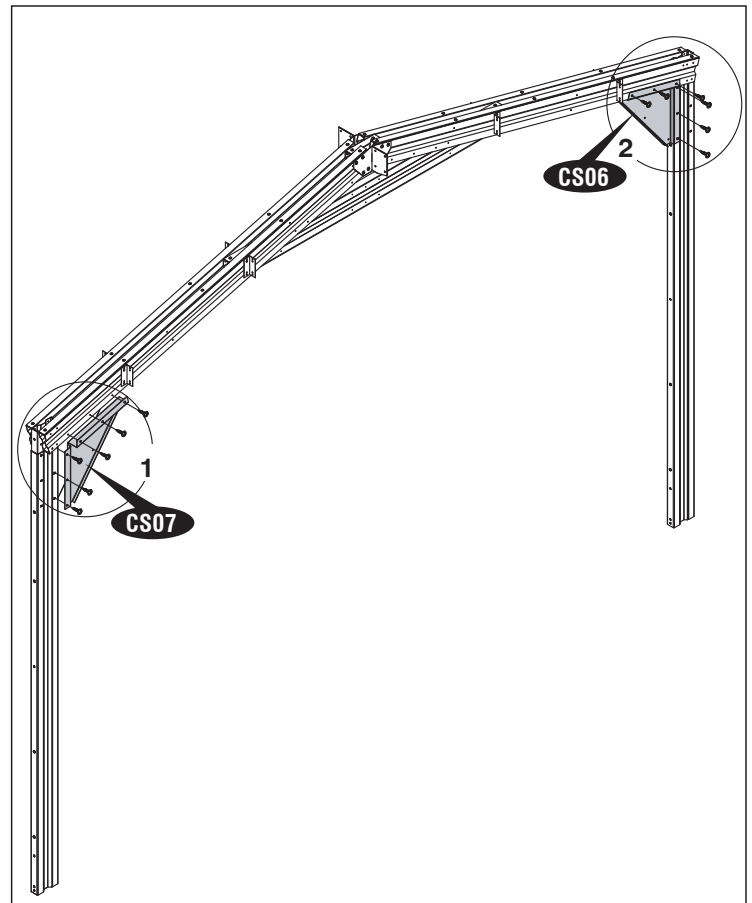


Fig.2



Step - 16

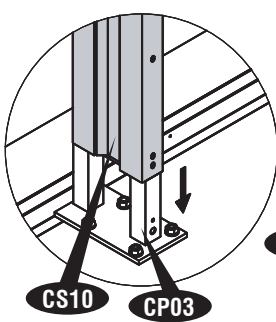


Fig.1

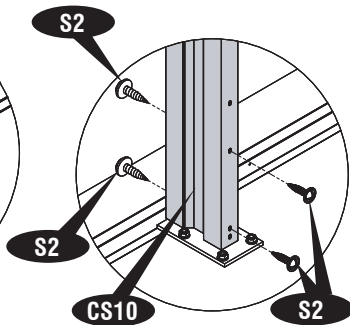


Fig.2

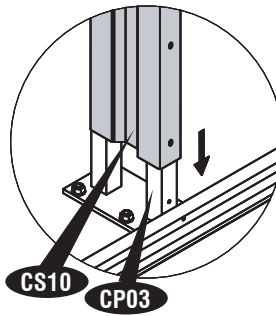


Fig.3

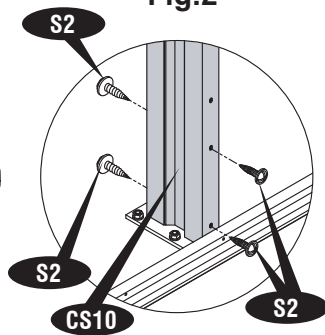
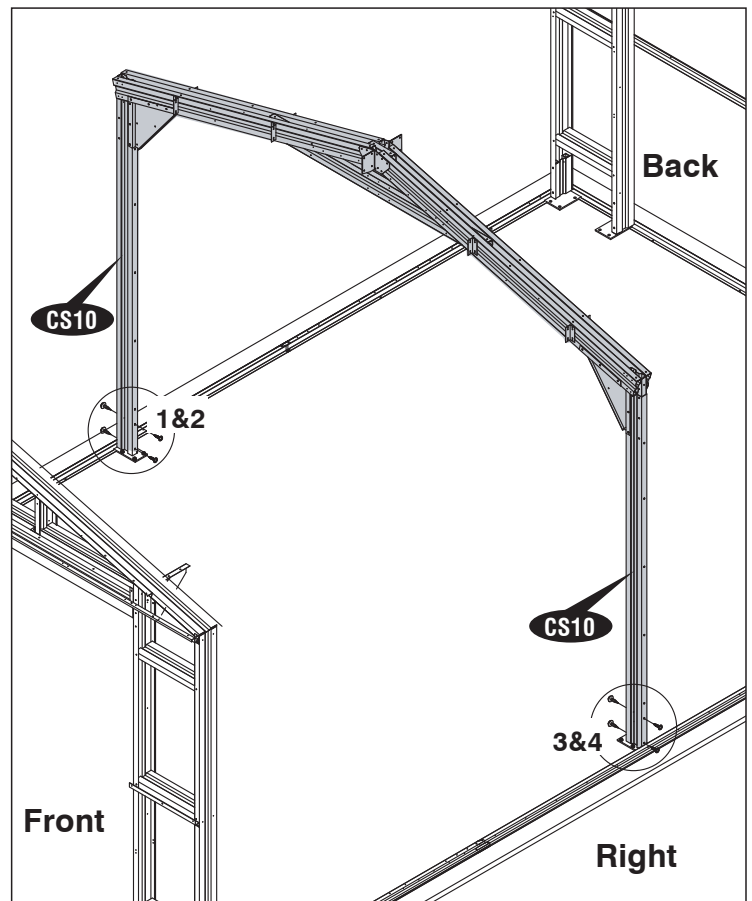


Fig.4



Step - 17

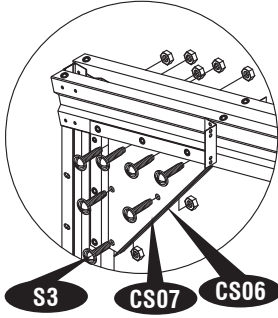


Fig.1

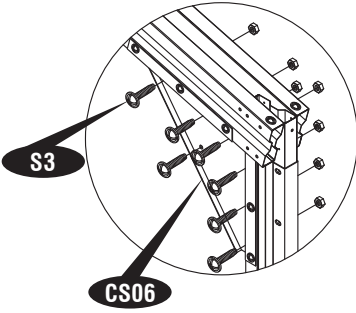
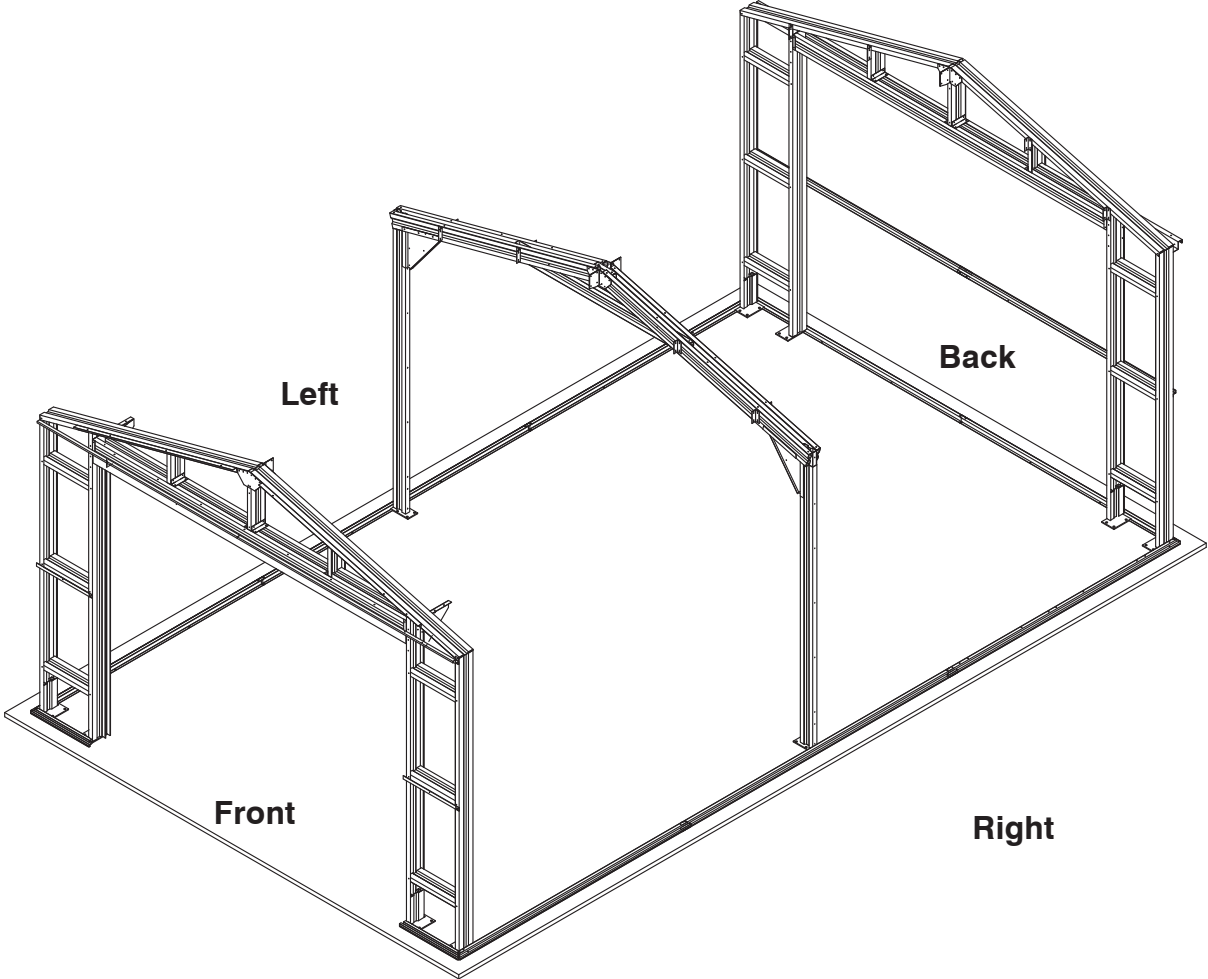
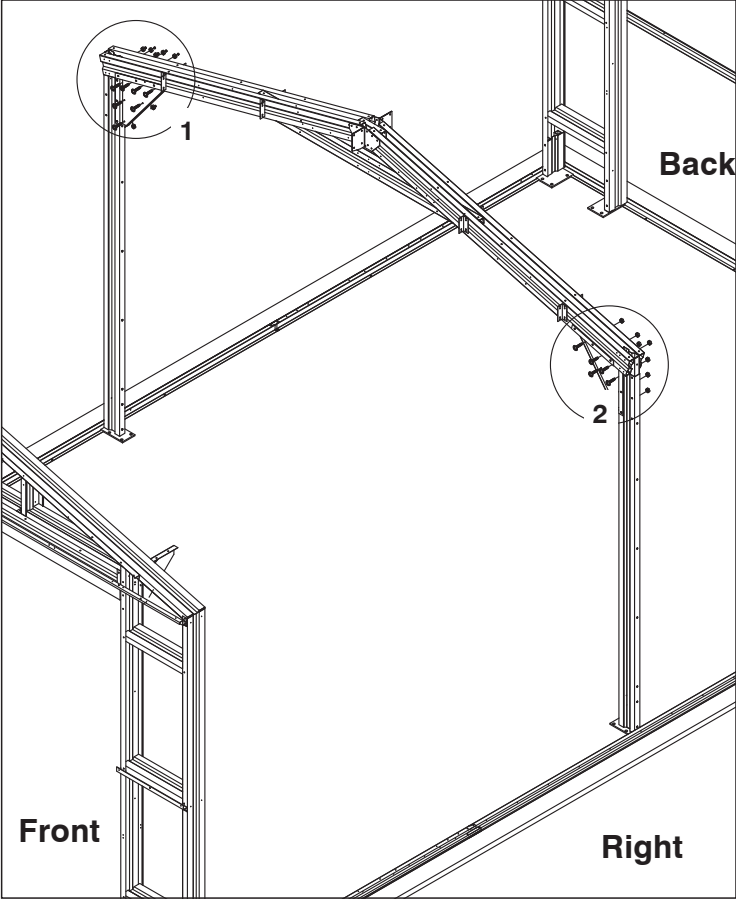


Fig.2

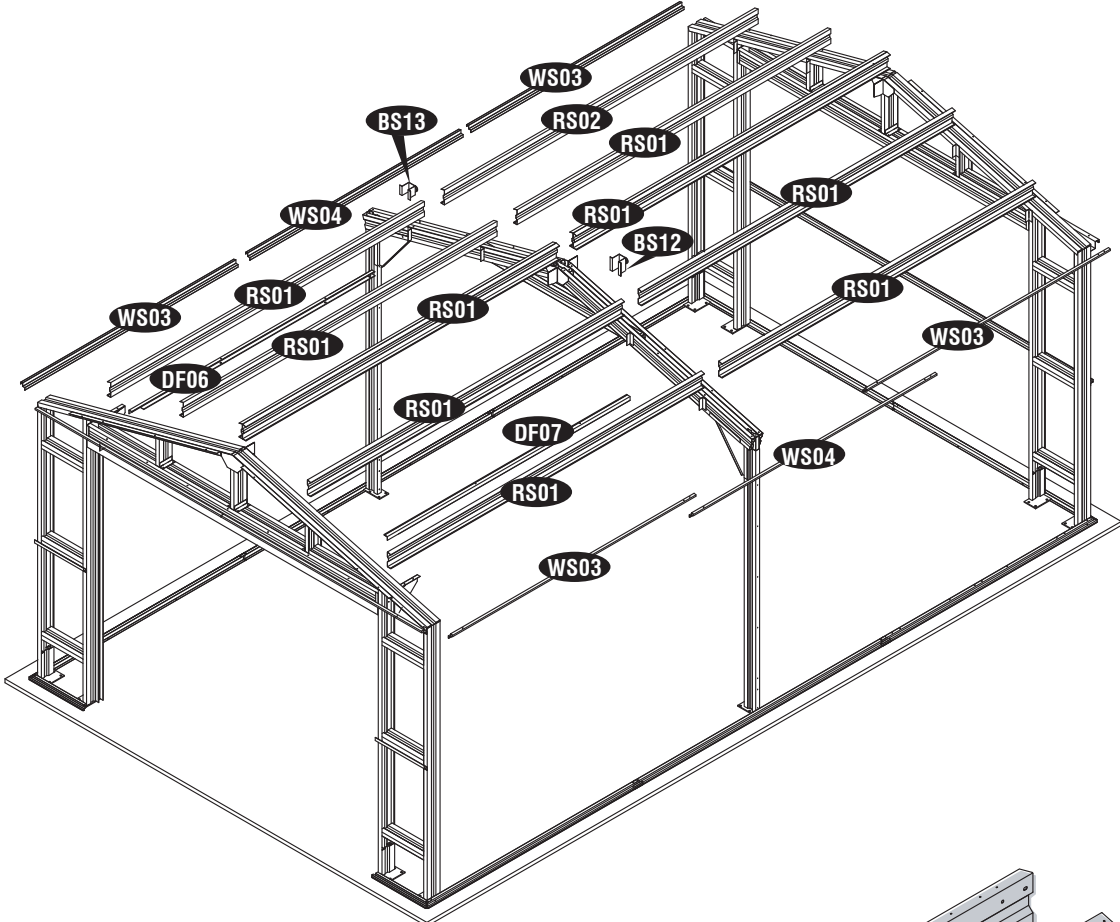


IMPORTANT: USE HAND GLOVES TO PREVENT INJURY.

D. Roof Structure Assembly

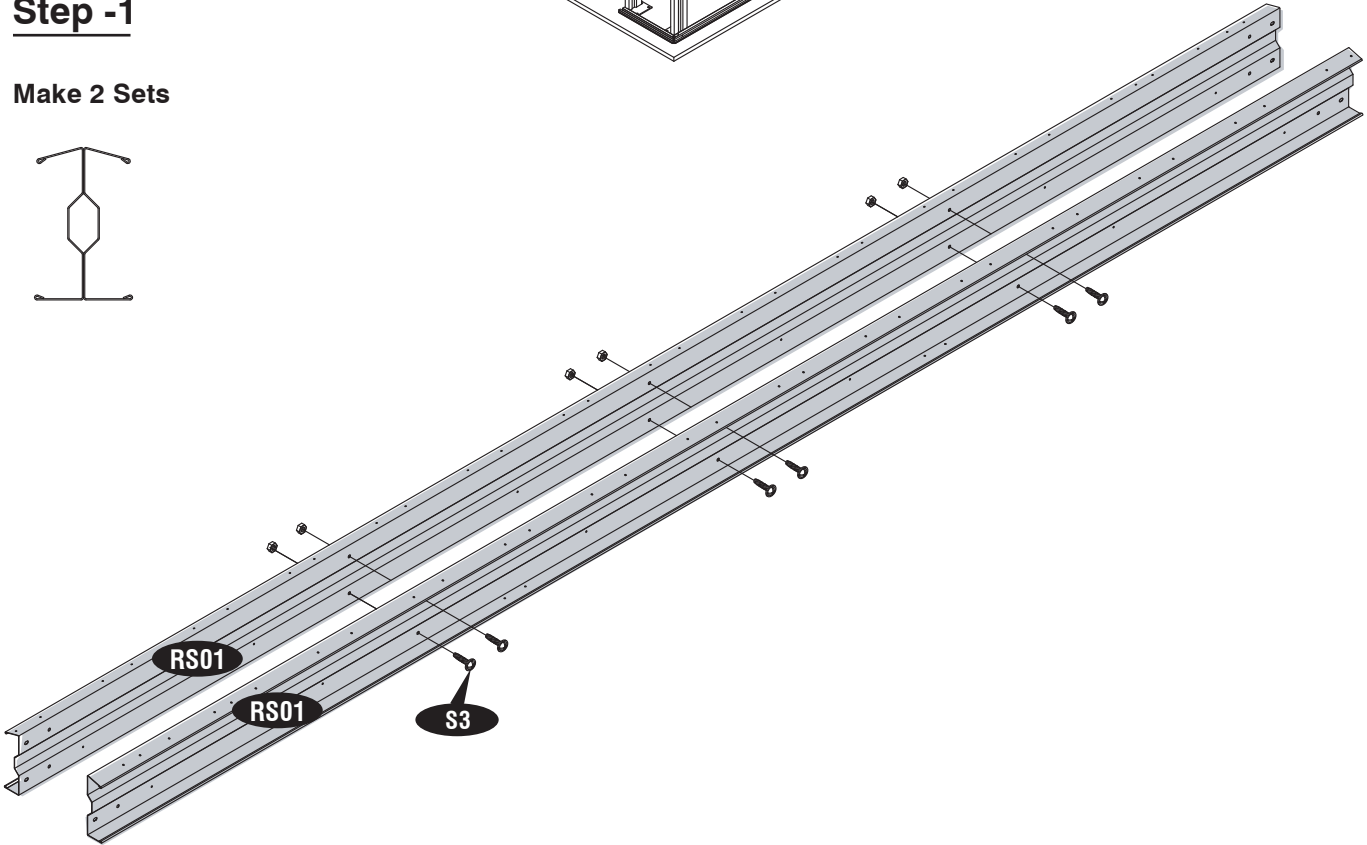
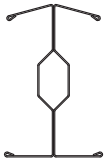
Parts Needed:

<u>Code</u>	<u>Qty.</u>
RS01	11
RS02	1
DF06	1
DF07	1
WS03	4
WS04	2
BS12	1
BS13	1
GW	3
S1	20
S2	18
S3	64



Step -1

Make 2 Sets



Step -2

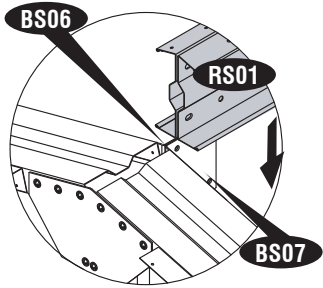
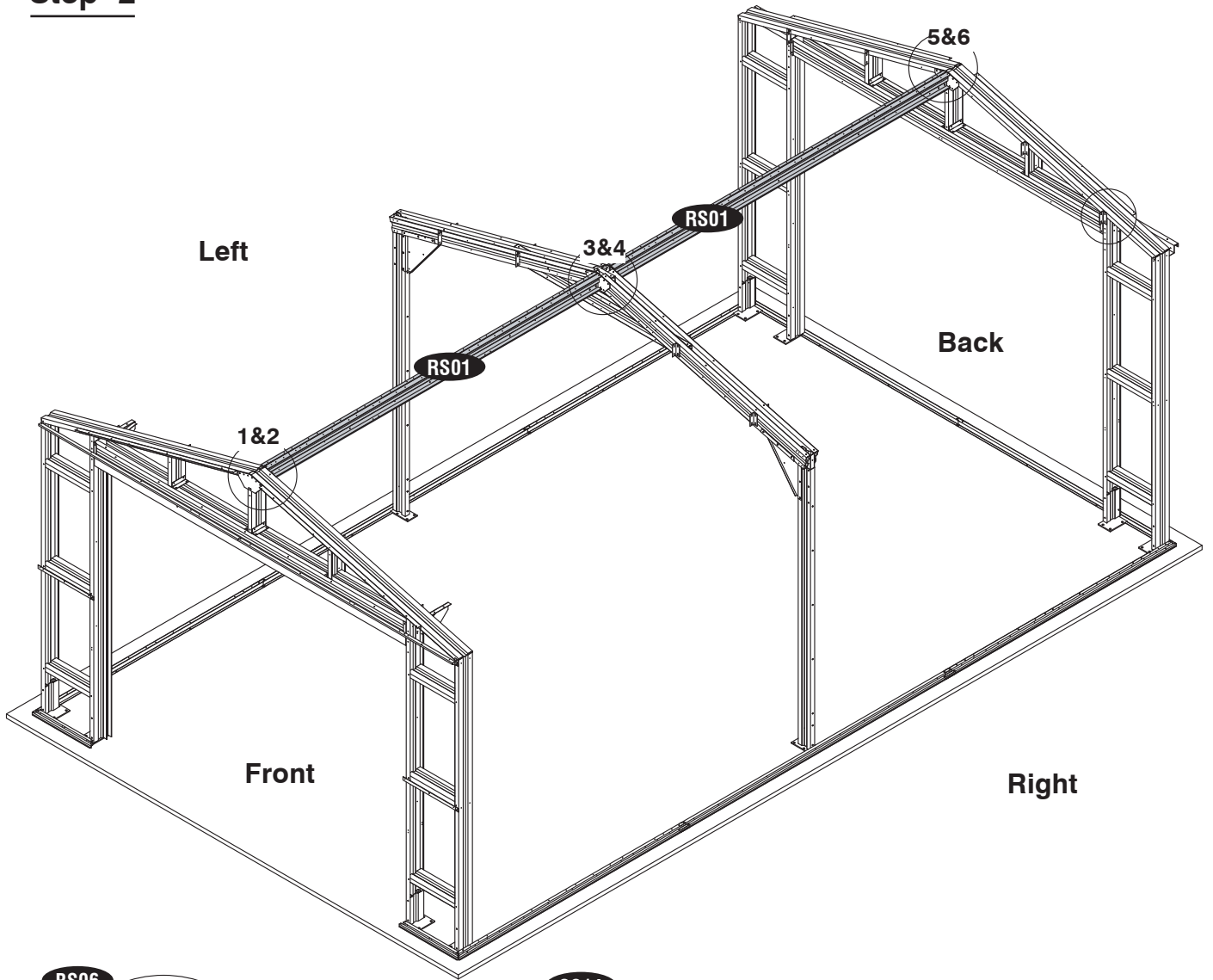


Fig.1

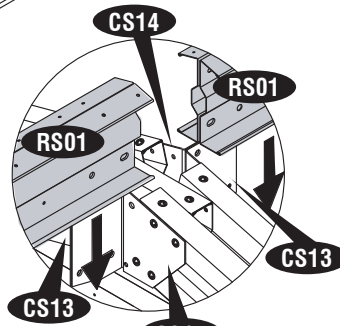


Fig.3

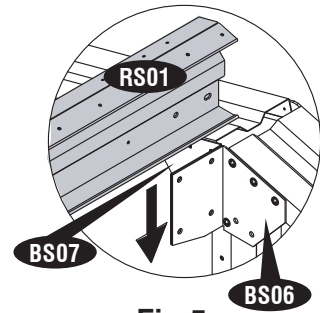


Fig.5

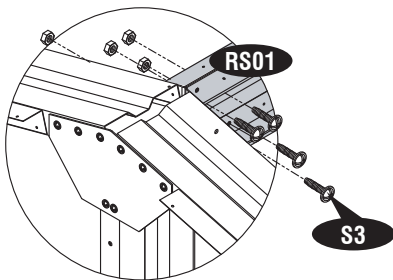


Fig.2

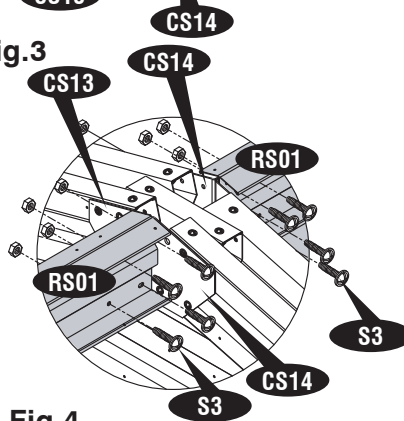


Fig.4

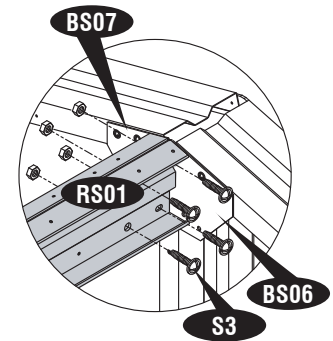
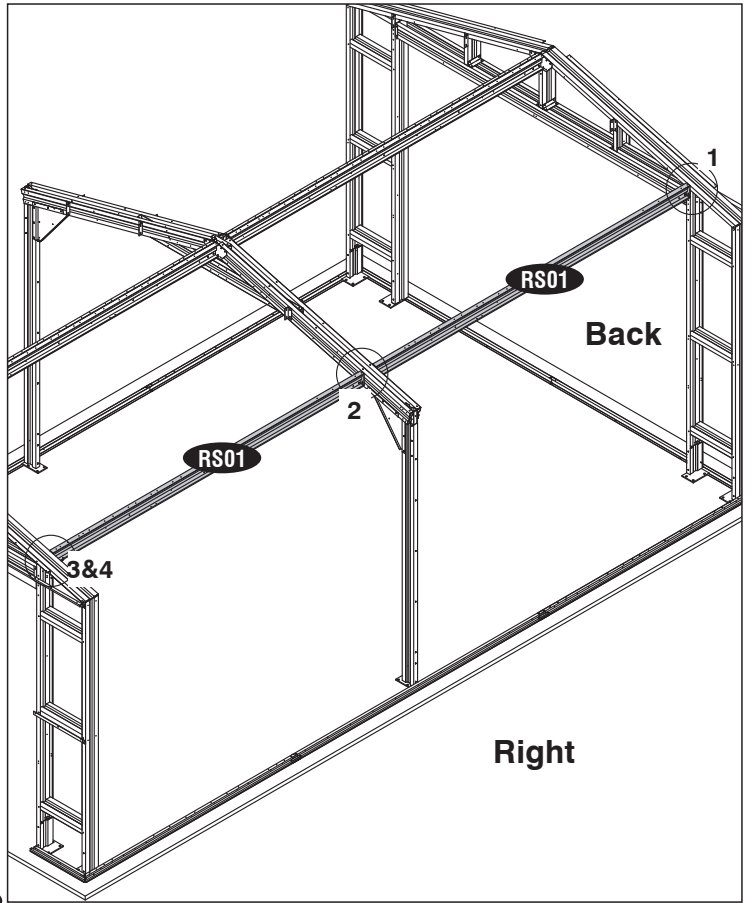
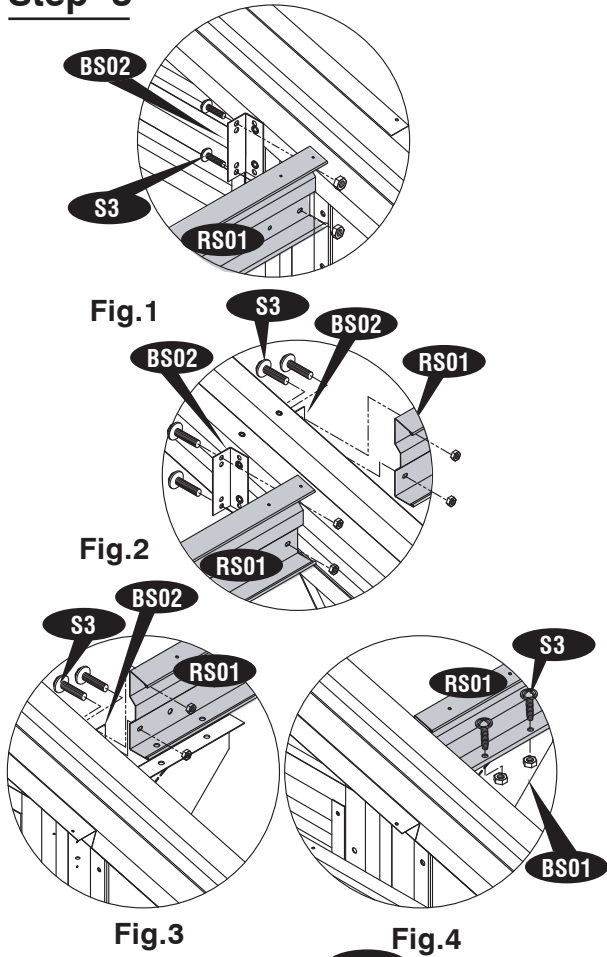


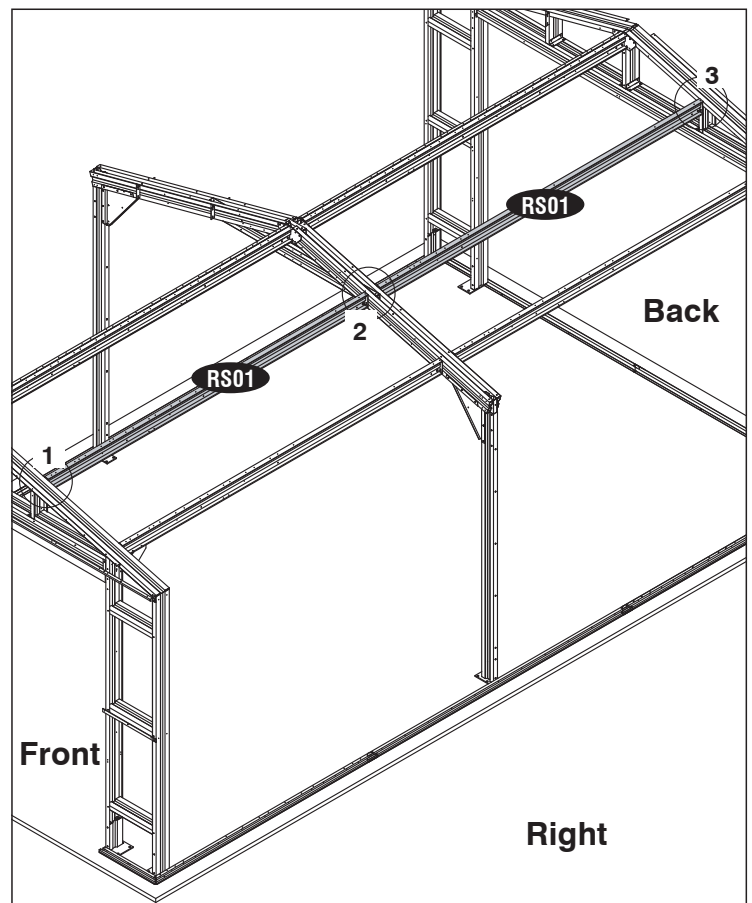
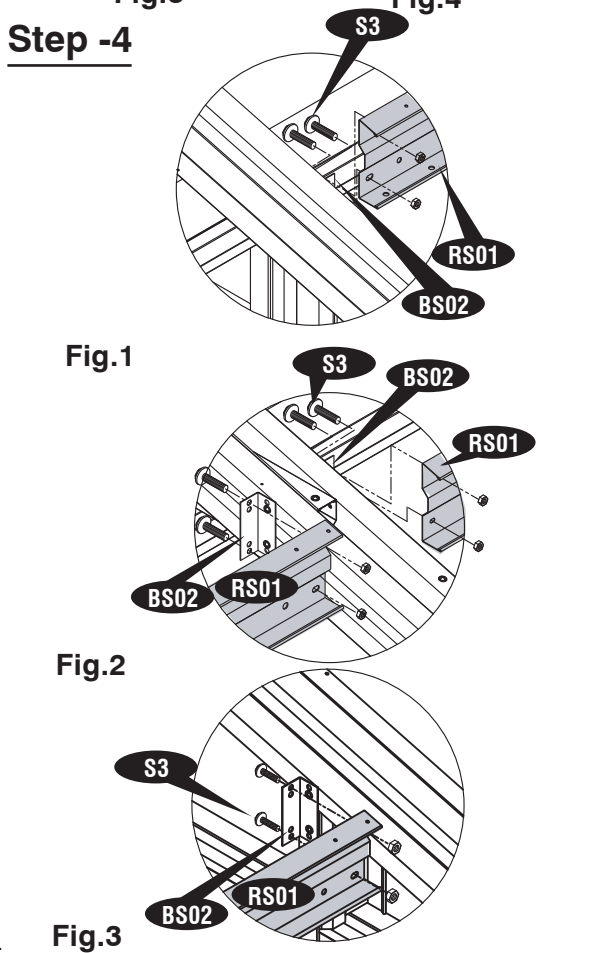
Fig.6

IMPORTANT: USE HAND GLOVES TO PREVENT INJURY.

Step -3



Step -4



IMPORTANT: USE HAND GLOVES TO PREVENT INJURY.

Step - 5

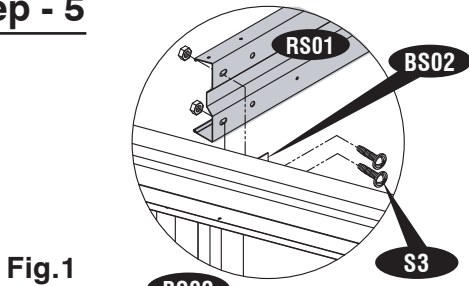


Fig.1

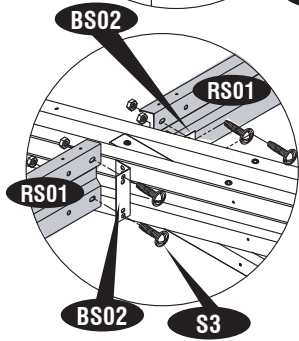


Fig.2

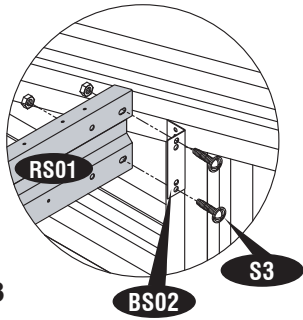
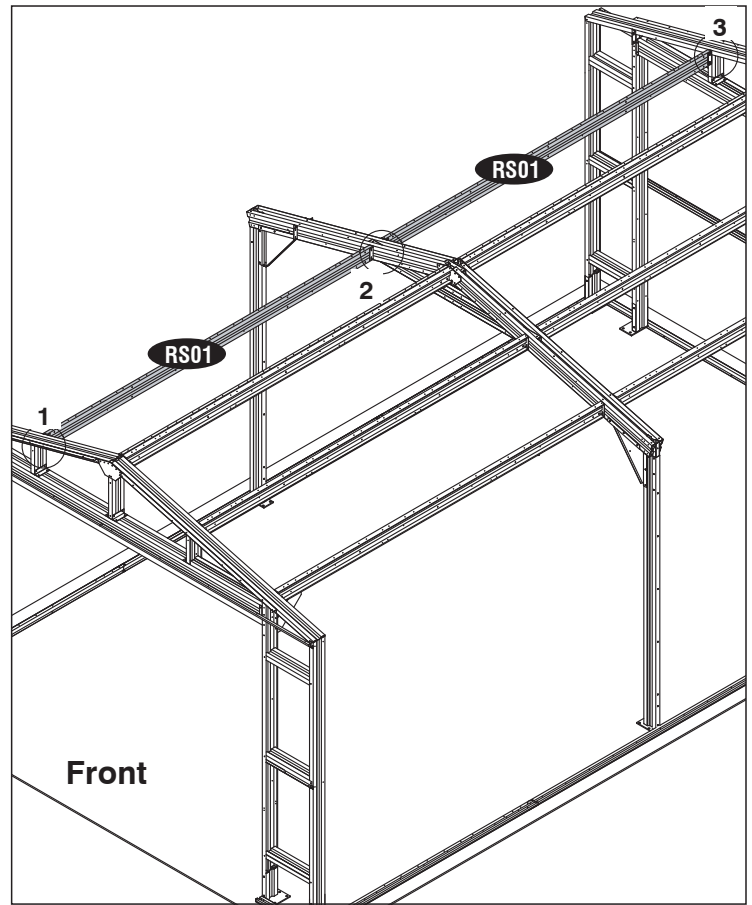


Fig.3



Step - 6

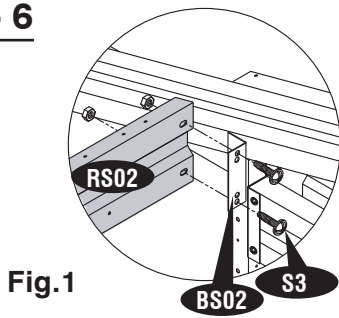


Fig.1

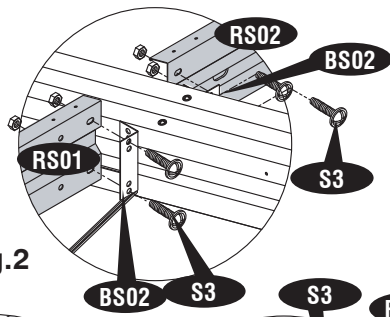


Fig.2

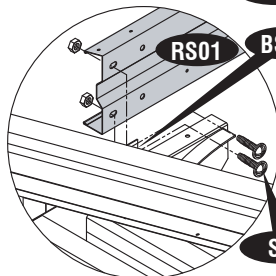


Fig.3

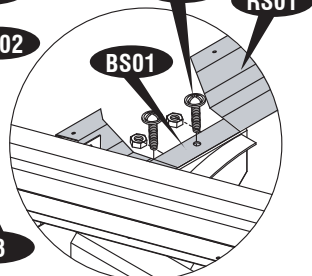
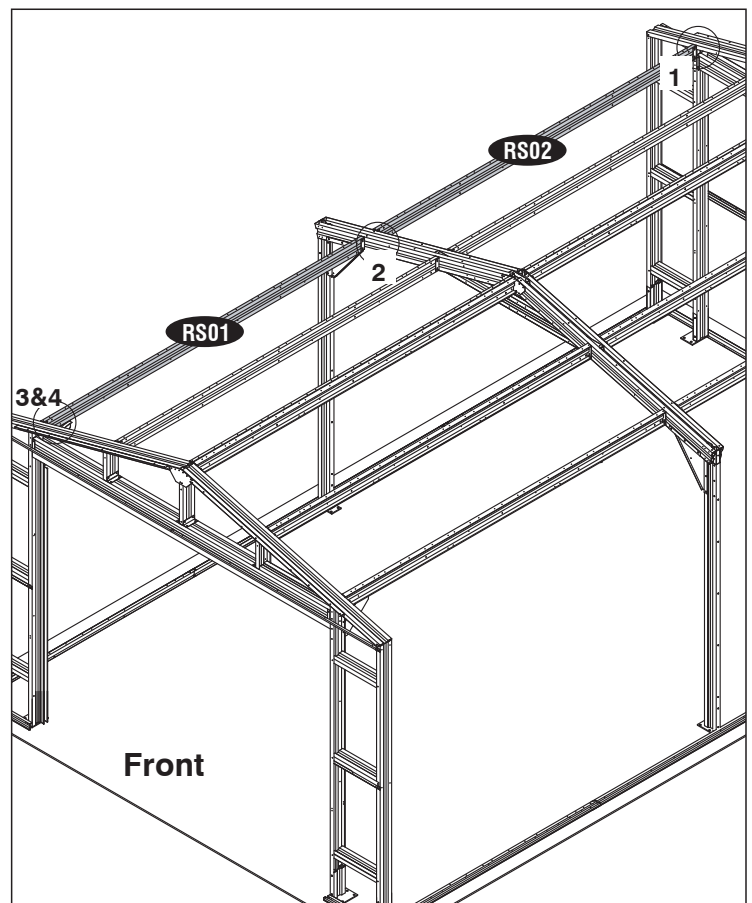
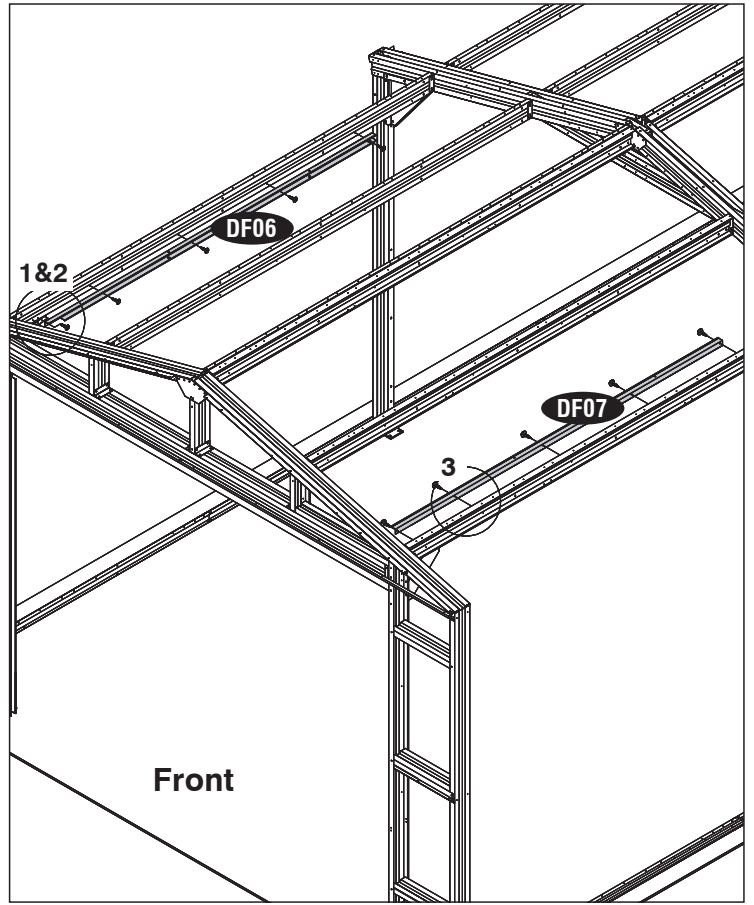
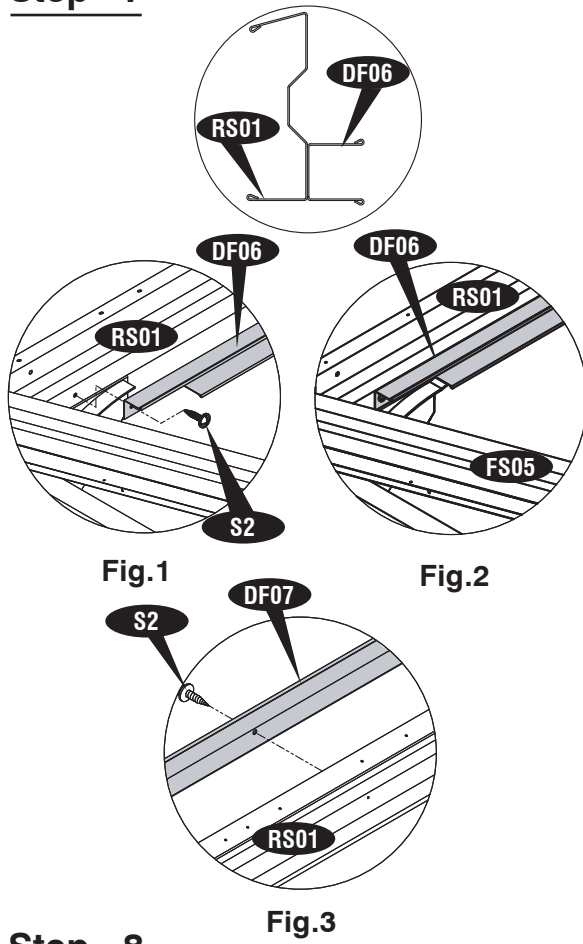


Fig.4



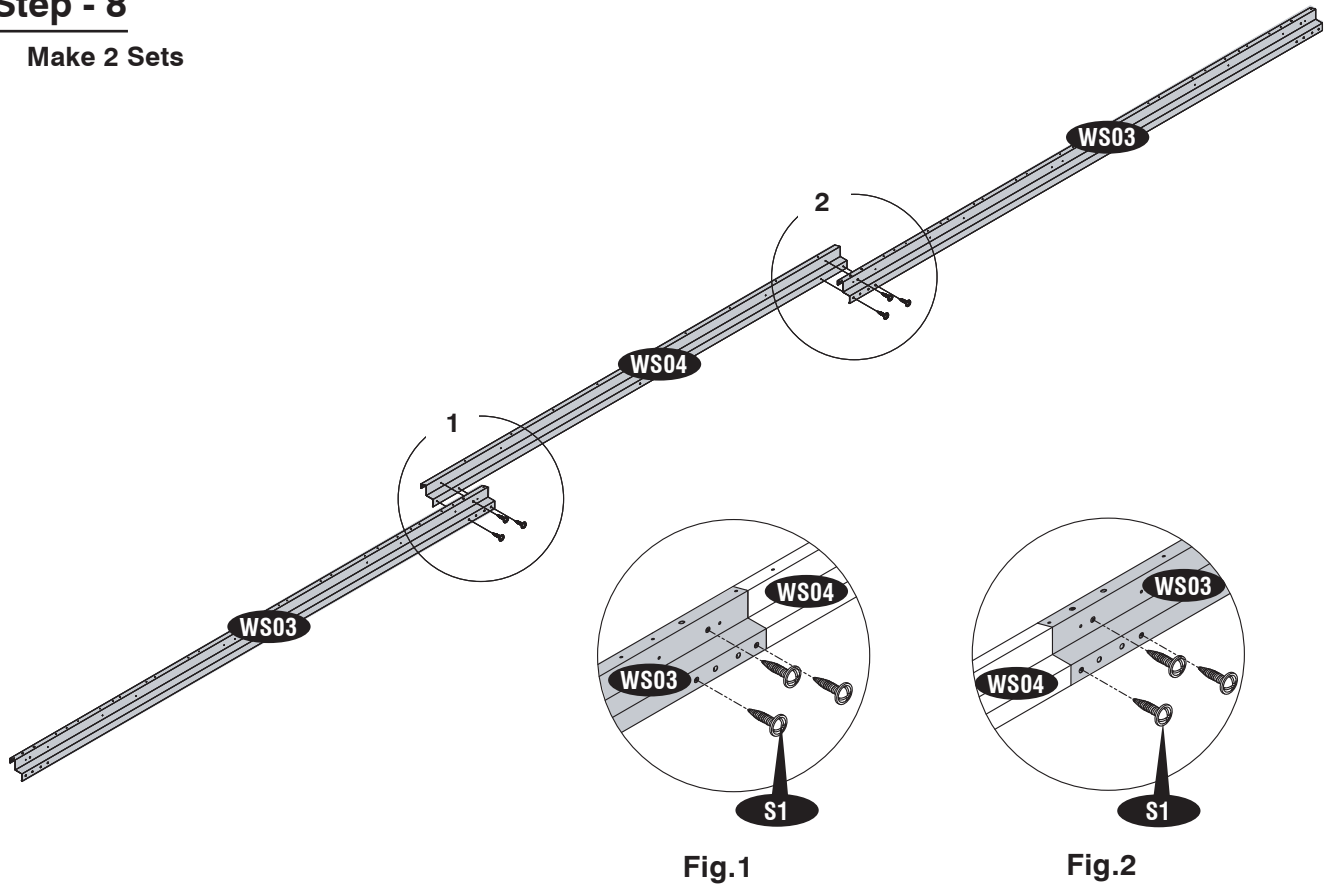
IMPORTANT: USE HAND GLOVES TO PREVENT INJURY.

Step - 7

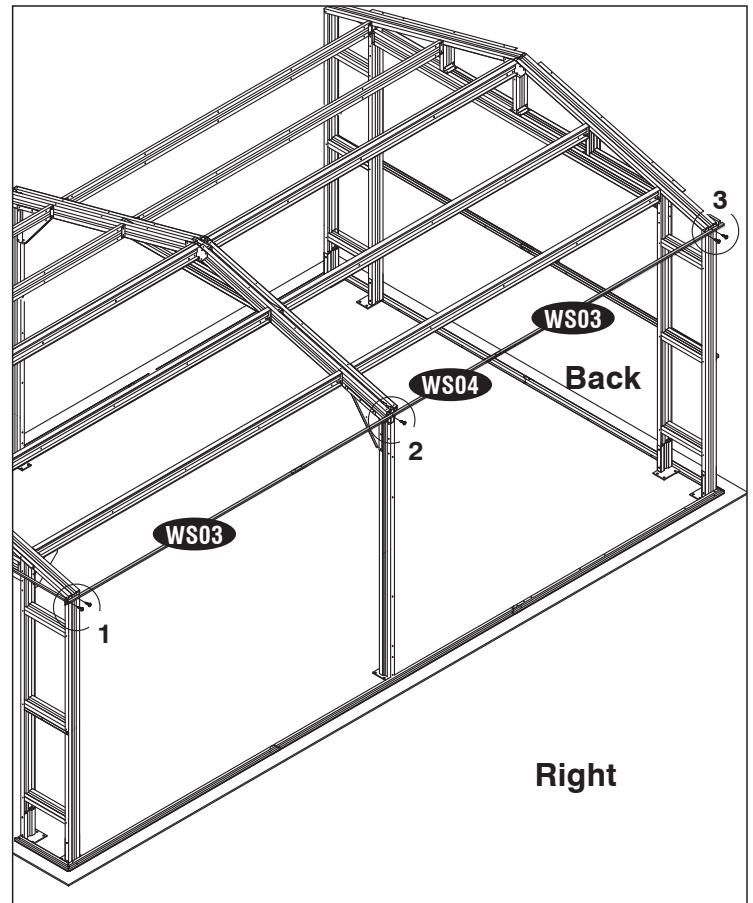
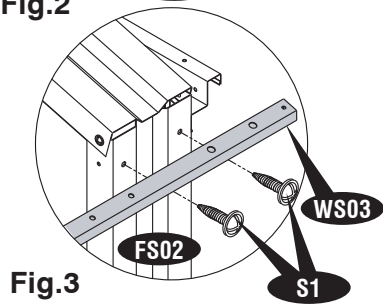
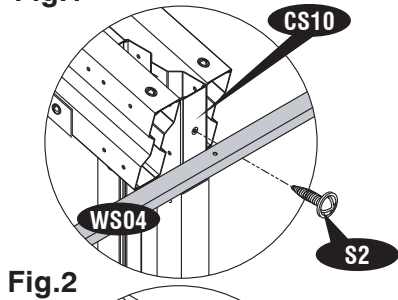
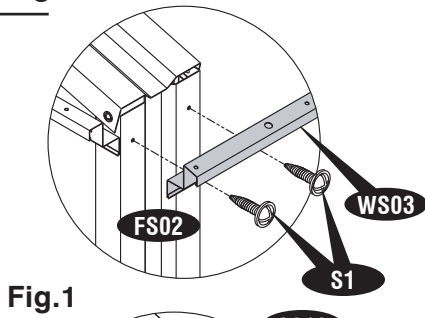


Step - 8

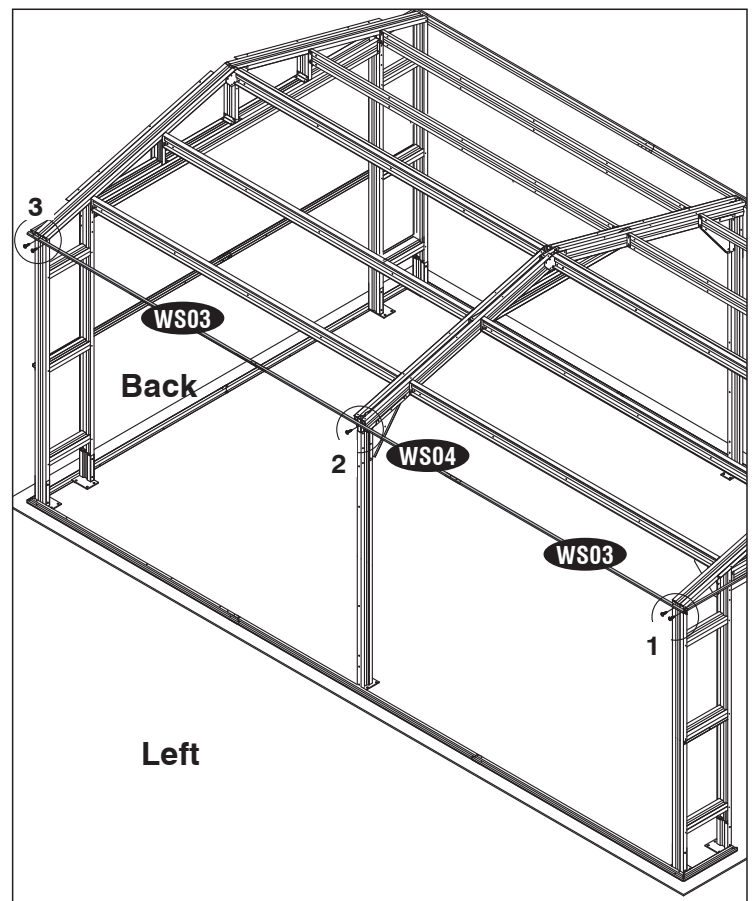
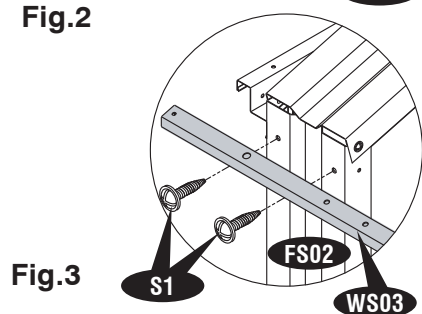
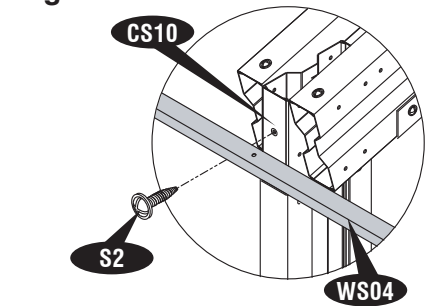
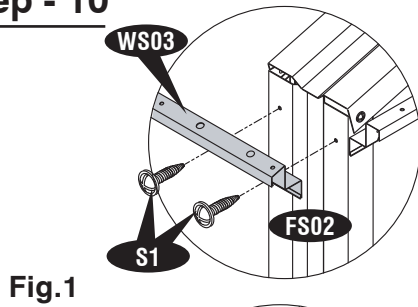
Make 2 Sets



Step - 9



Step - 10



IMPORTANT: USE HAND GLOVES TO PREVENT INJURY.

Step - 11

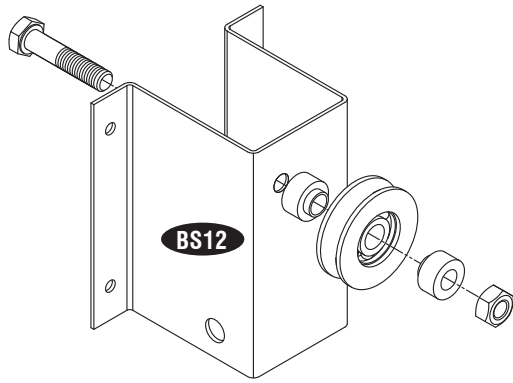


Fig.1

Step - 12

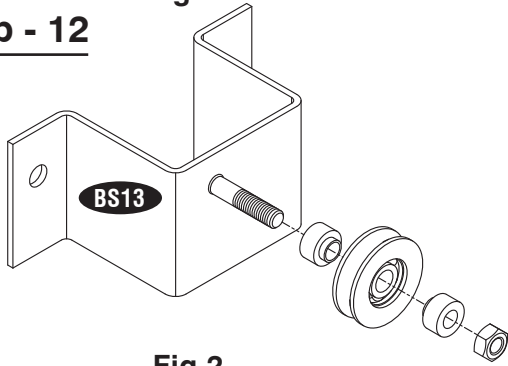


Fig.2

Step - 13

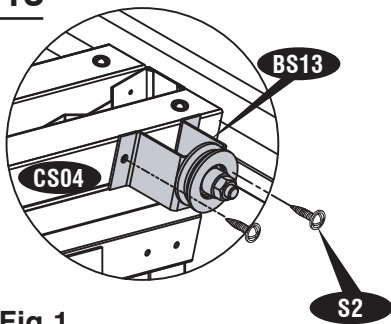


Fig.1

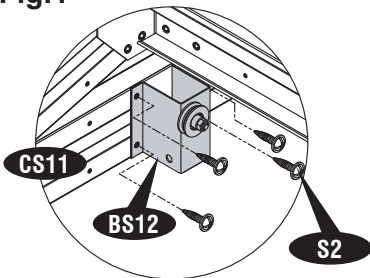


Fig.2

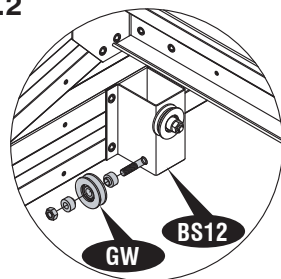
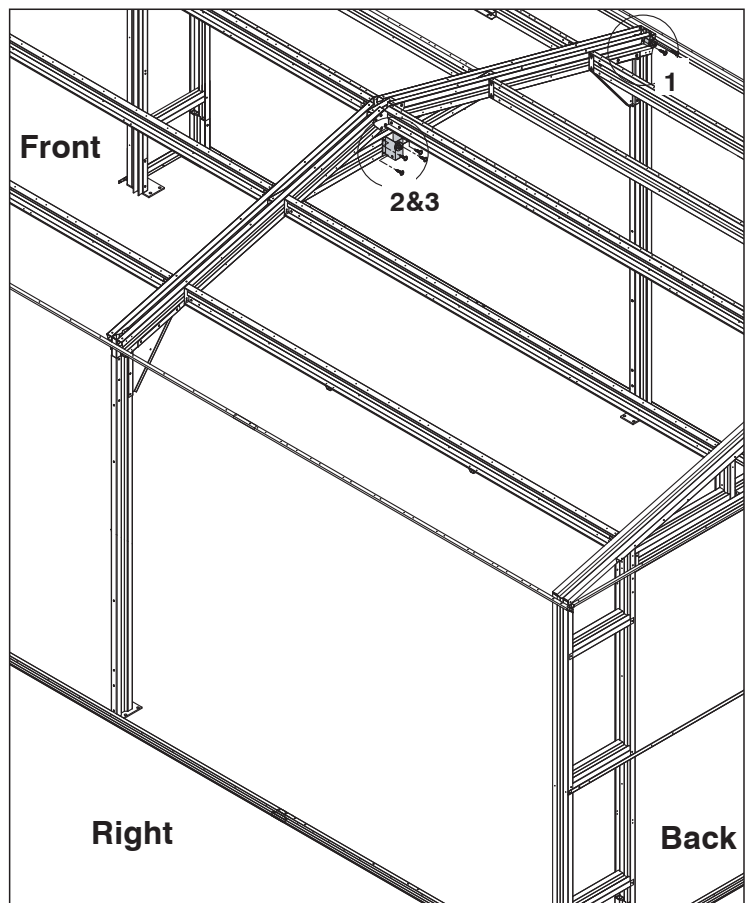
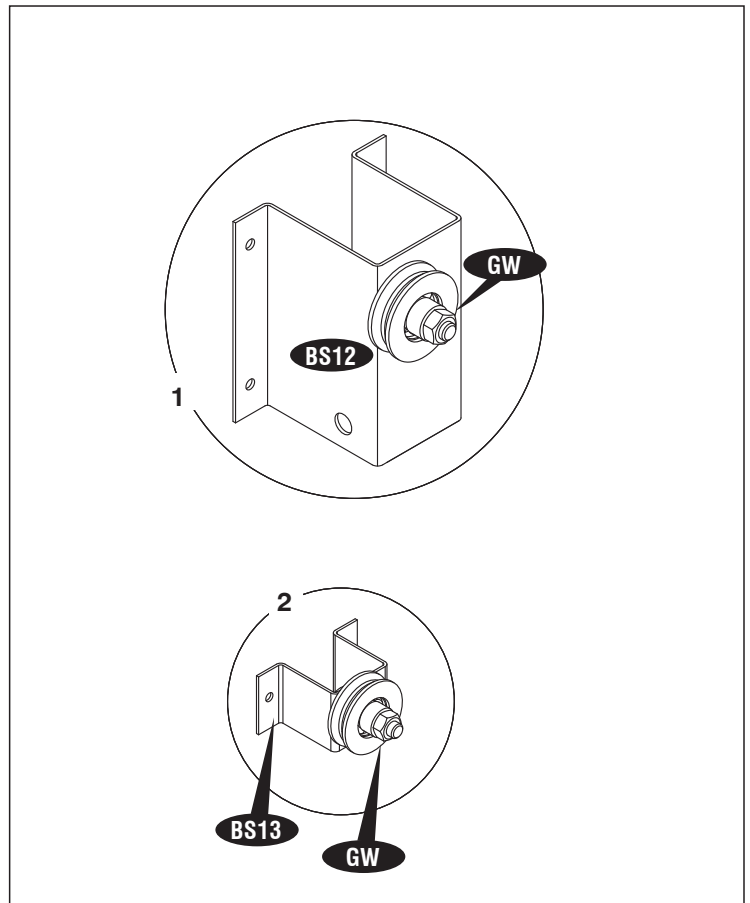


Fig.3

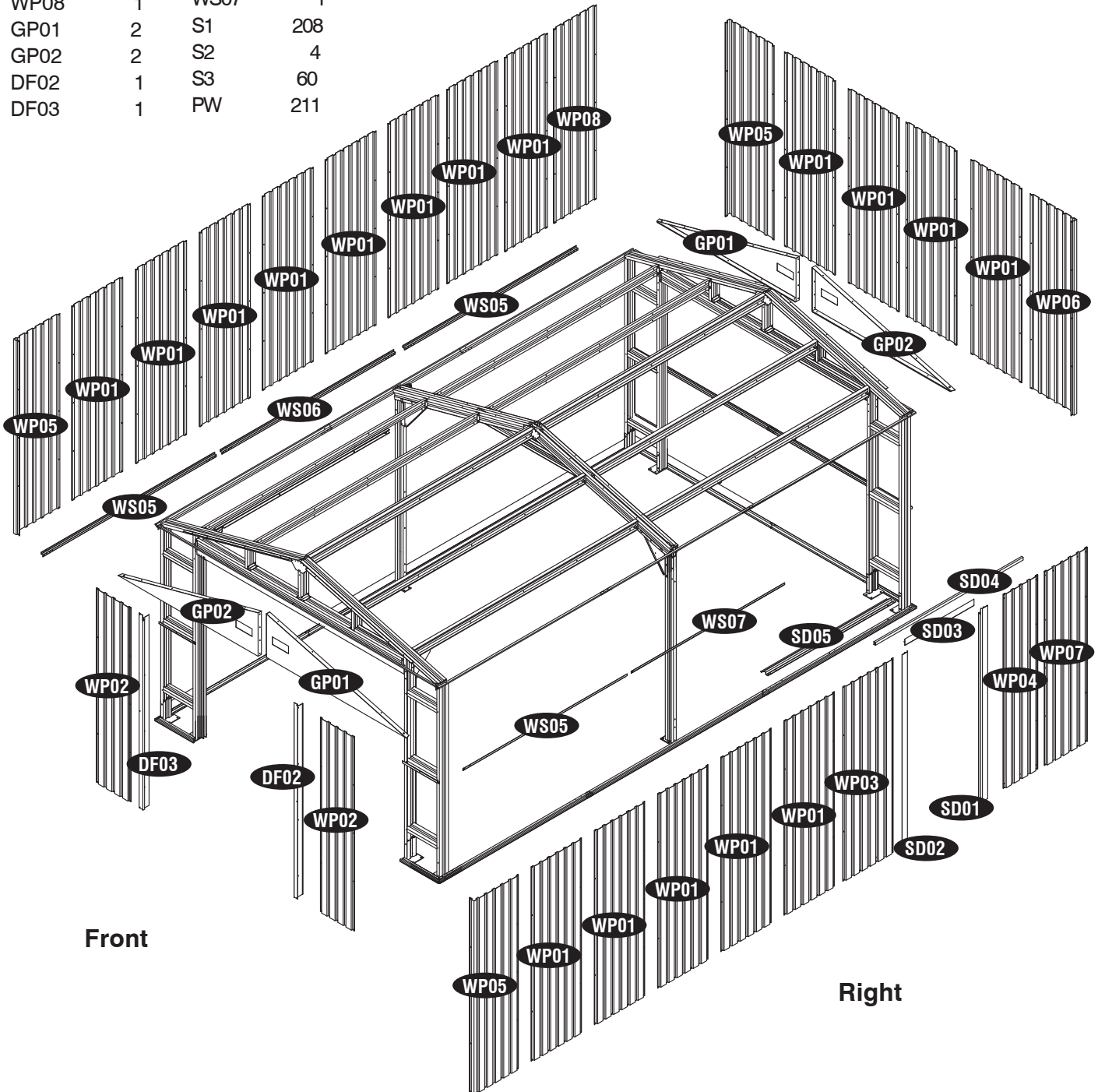


E. Wall Panel Installation and Accessories

Parts Needed:

Code	Qty.	Code	Qty.
WP01	17	SD01	1
WP02	2	SD02	1
WP03	1	SD03	1
WP04	1	SD04	1
WP05	3	SD05	1
WP06	1	WS05	3
WP07	1	WS06	1
WP08	1	WS07	1
GP01	2	S1	208
GP02	2	S2	4
DF02	1	S3	60
DF03	1	PW	211

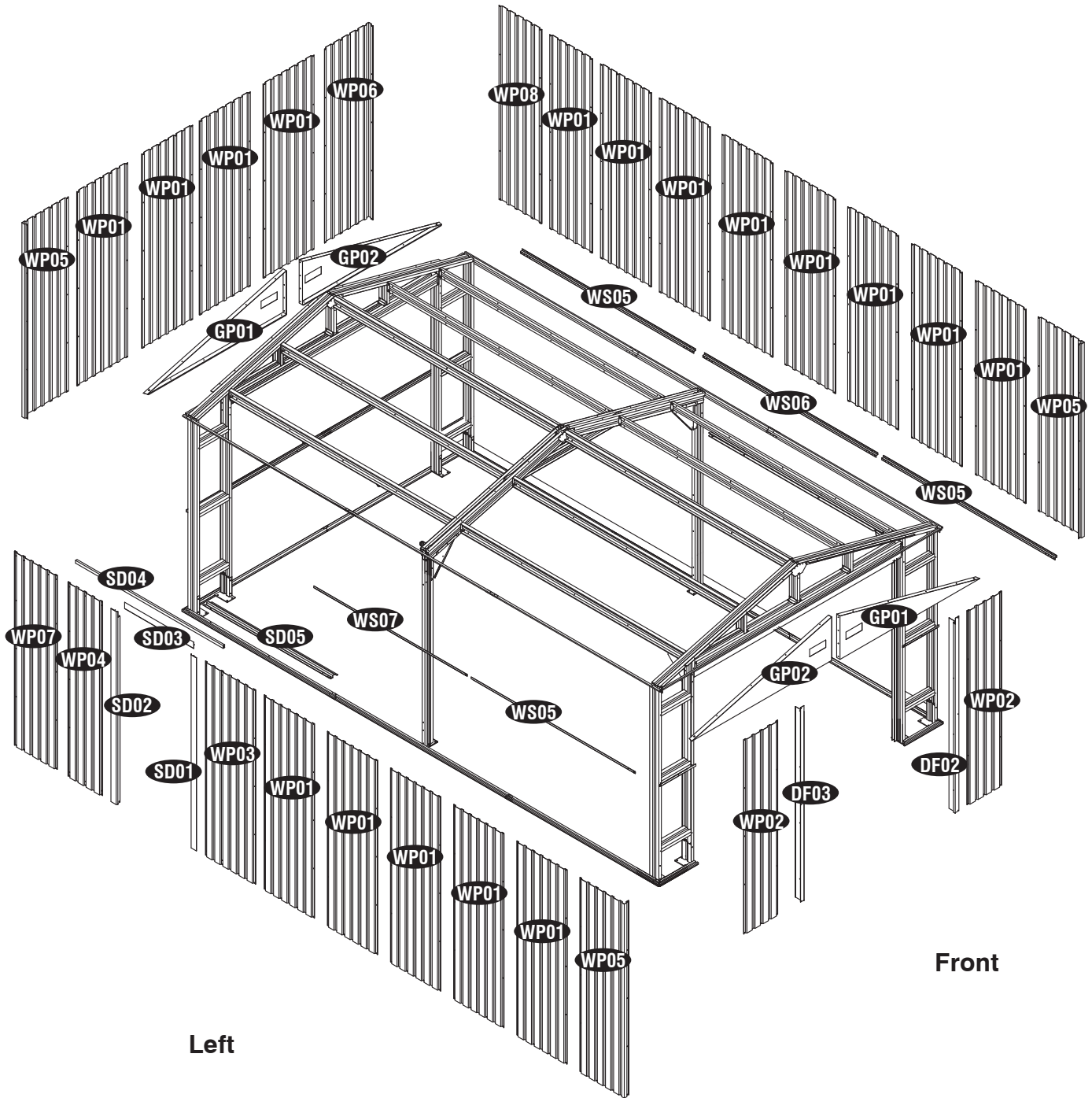
Exploded View Side Door Right Side



Exploded View Side Door Left Side

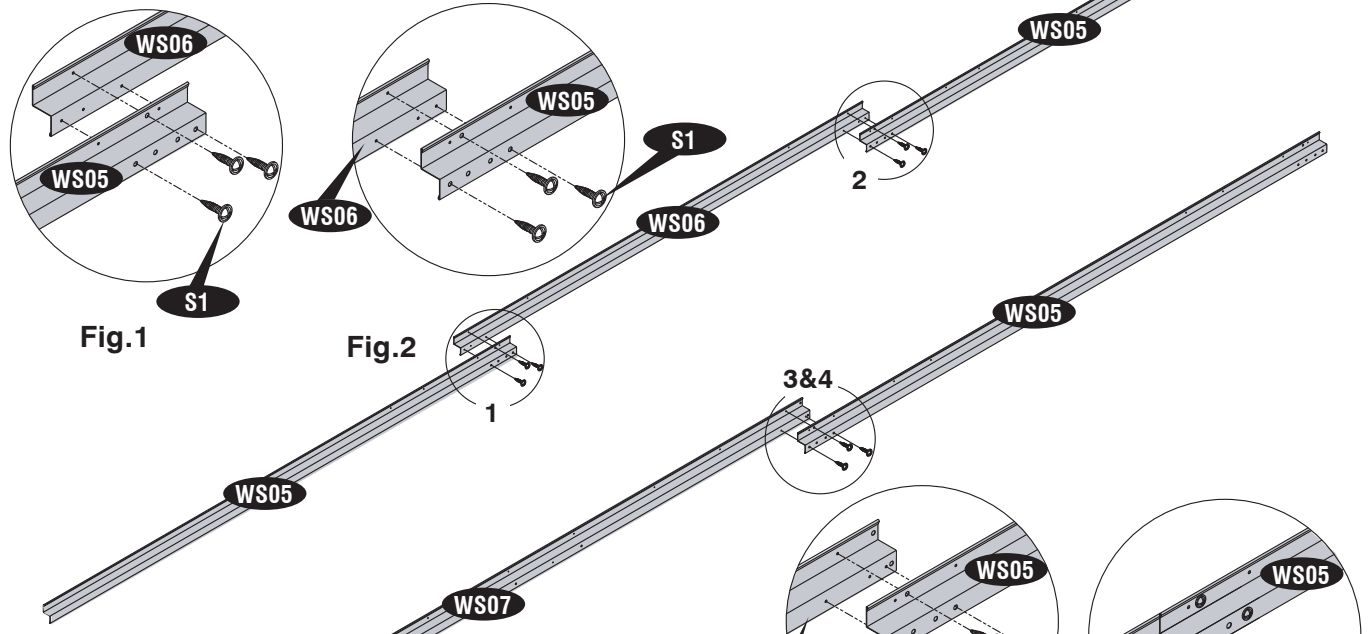
IMPORTANT

Follow the Diagram to assemble the side on Left Side.

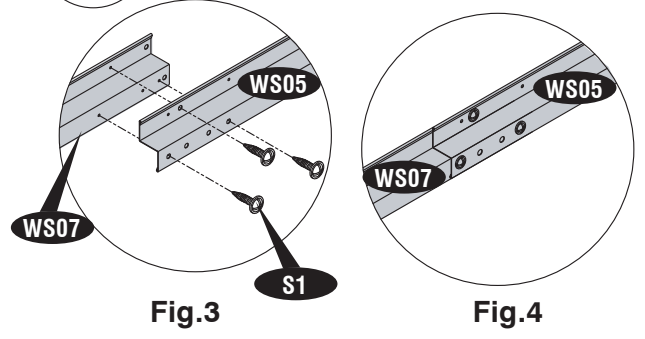


Assembly Steps for Side Door on Right Side

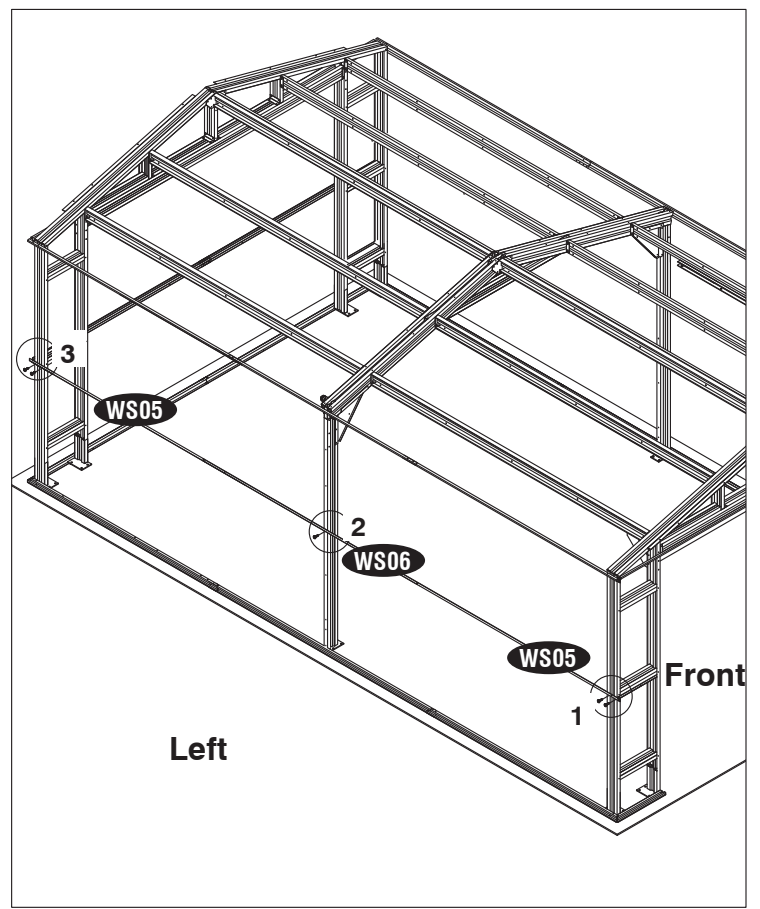
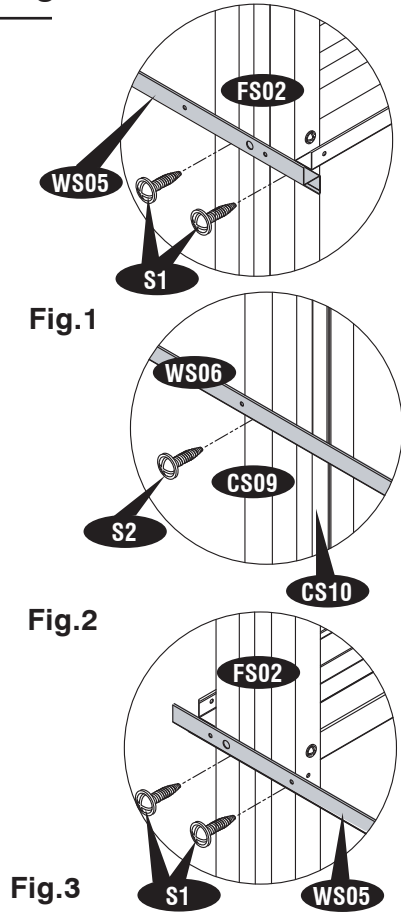
Step - 1



Step - 2



Step - 3



IMPORTANT: USE HAND GLOVES TO PREVENT INJURY.

Step - 4

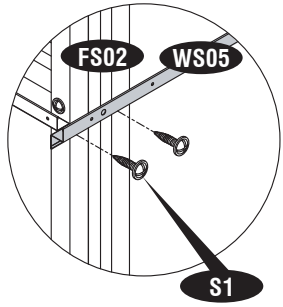


Fig.1

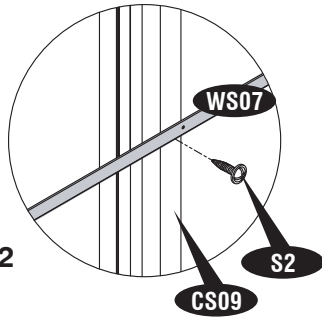
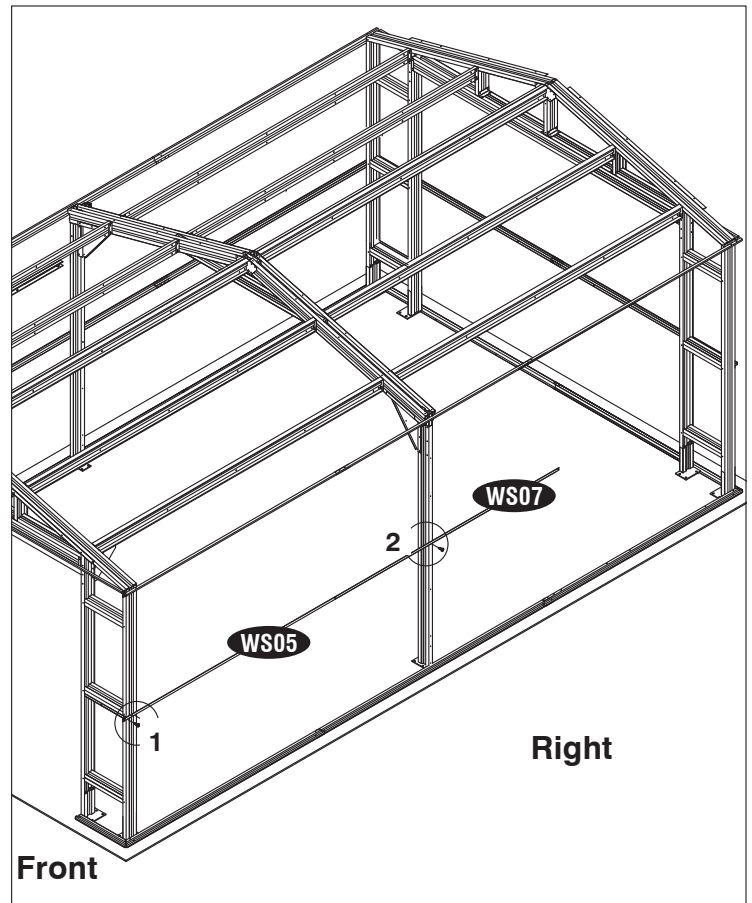


Fig.2



Step - 5

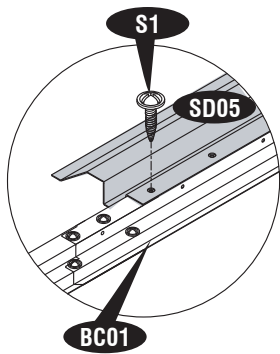


Fig.1

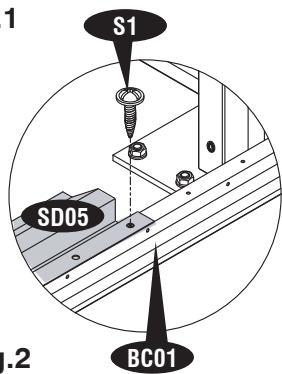
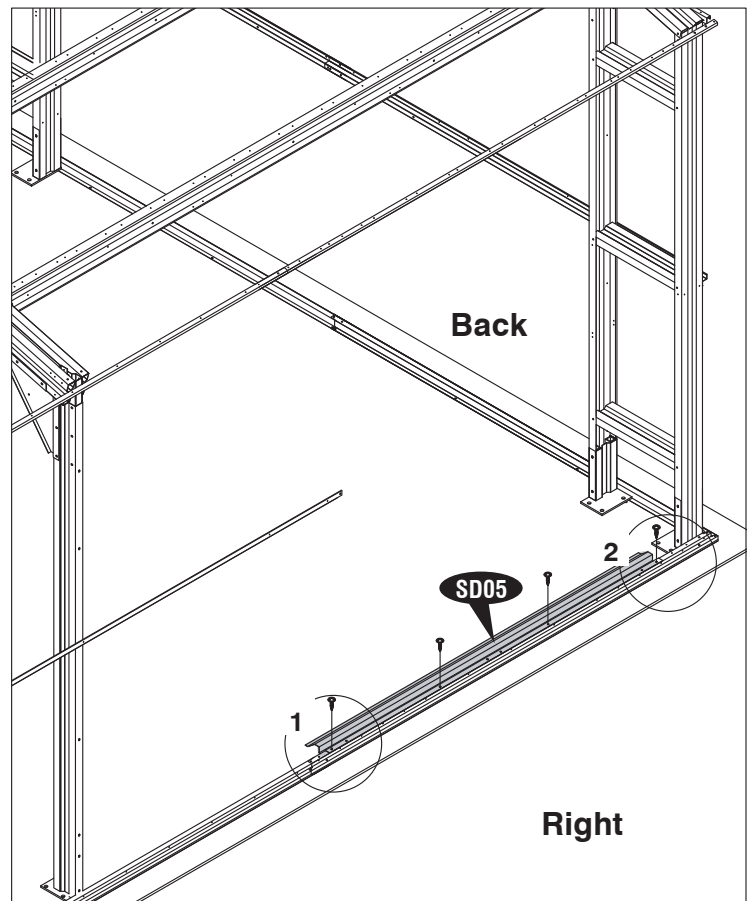


Fig.2



IMPORTANT: USE HAND GLOVES TO PREVENT INJURY.

Step - 6

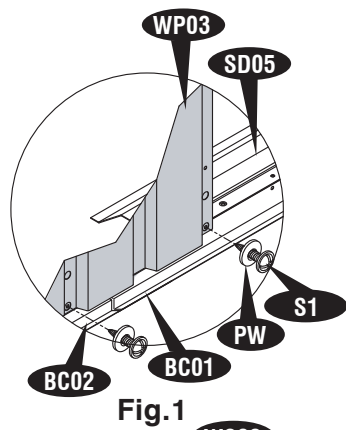


Fig.1

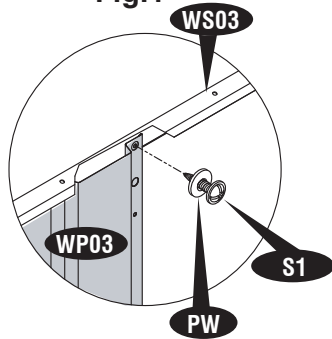
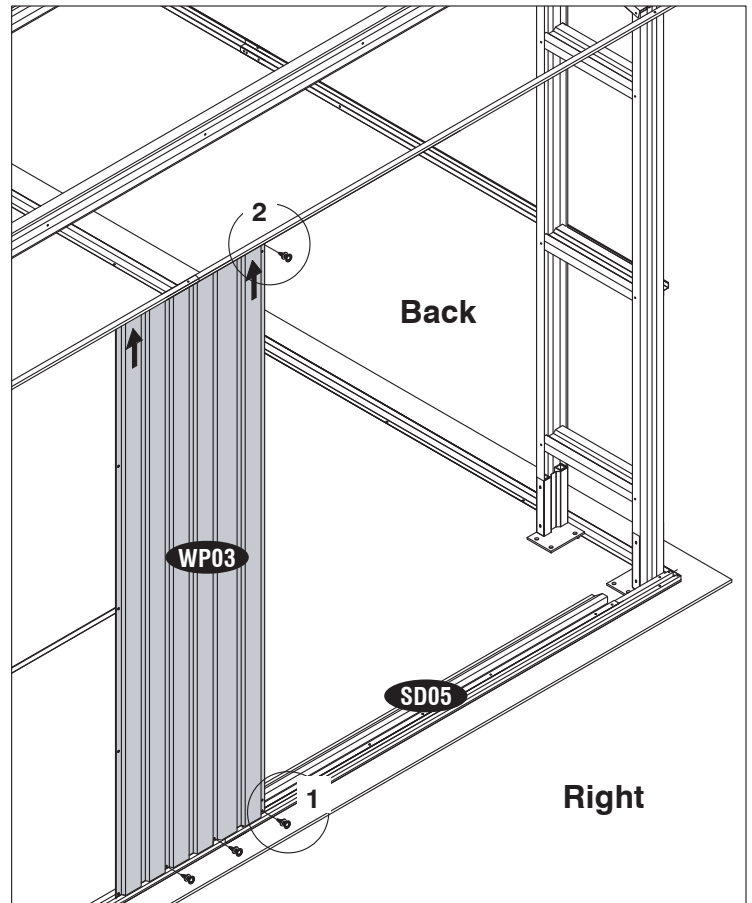


Fig.2



Step - 7

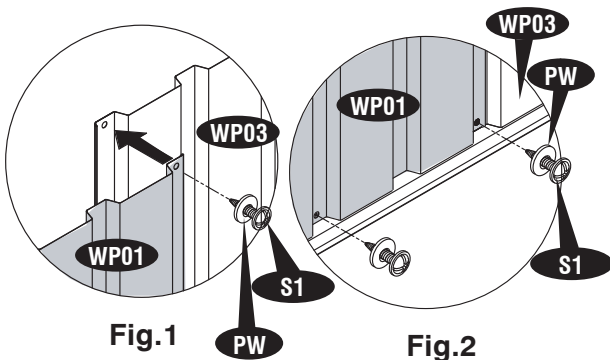


Fig.1

Fig.2

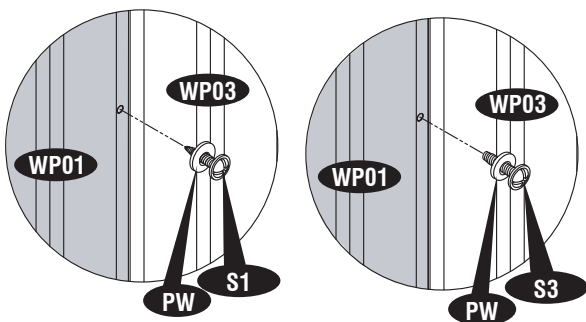
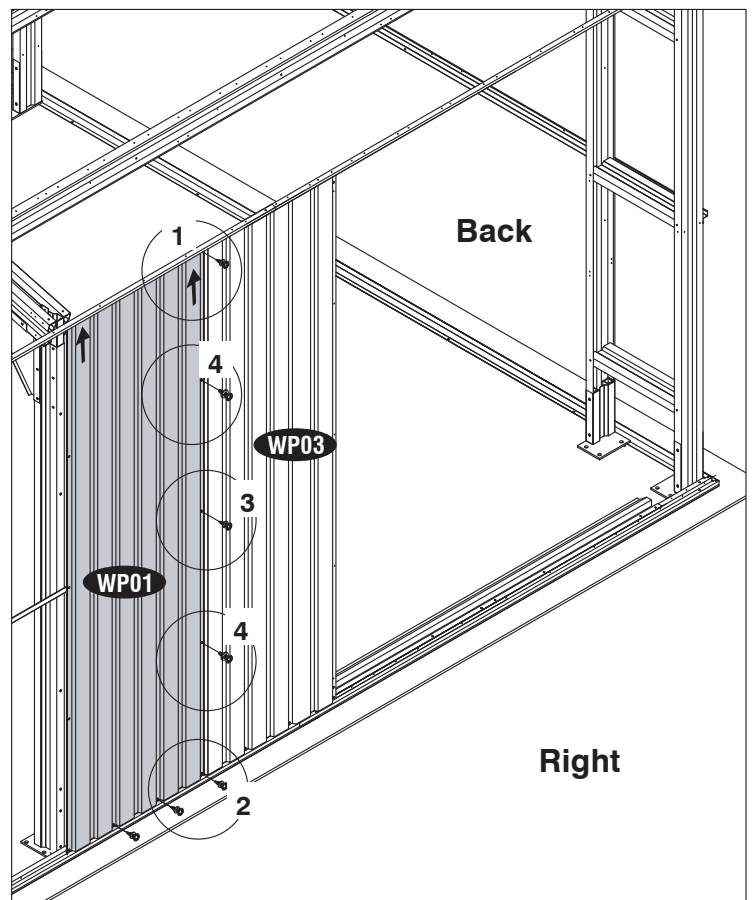


Fig.3

Fig.4



IMPORTANT: USE HAND GLOVES TO PREVENT INJURY.

Step - 8

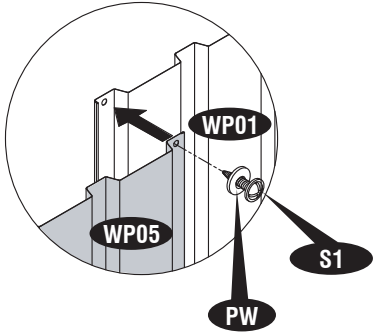


Fig.1

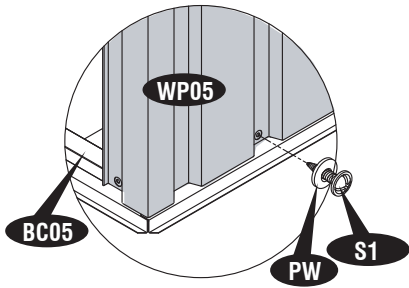
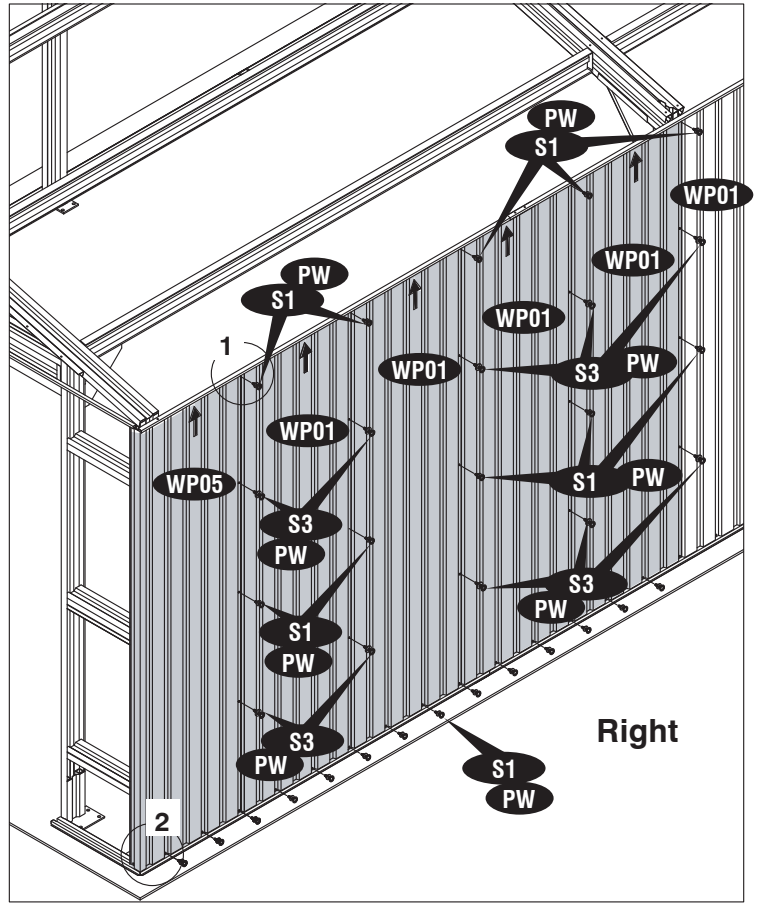


Fig.2



Step - 9

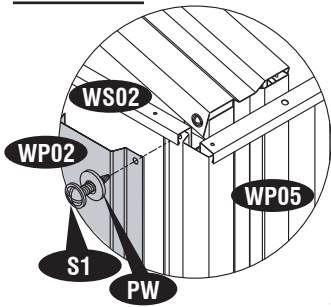


Fig.1

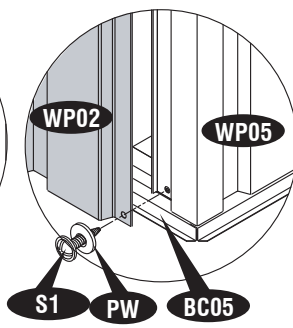


Fig.2

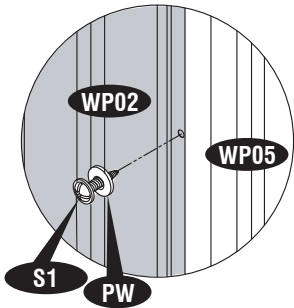


Fig.3

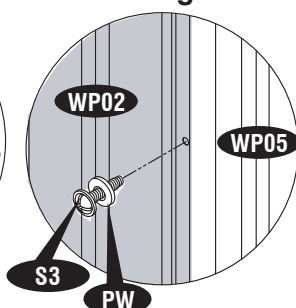
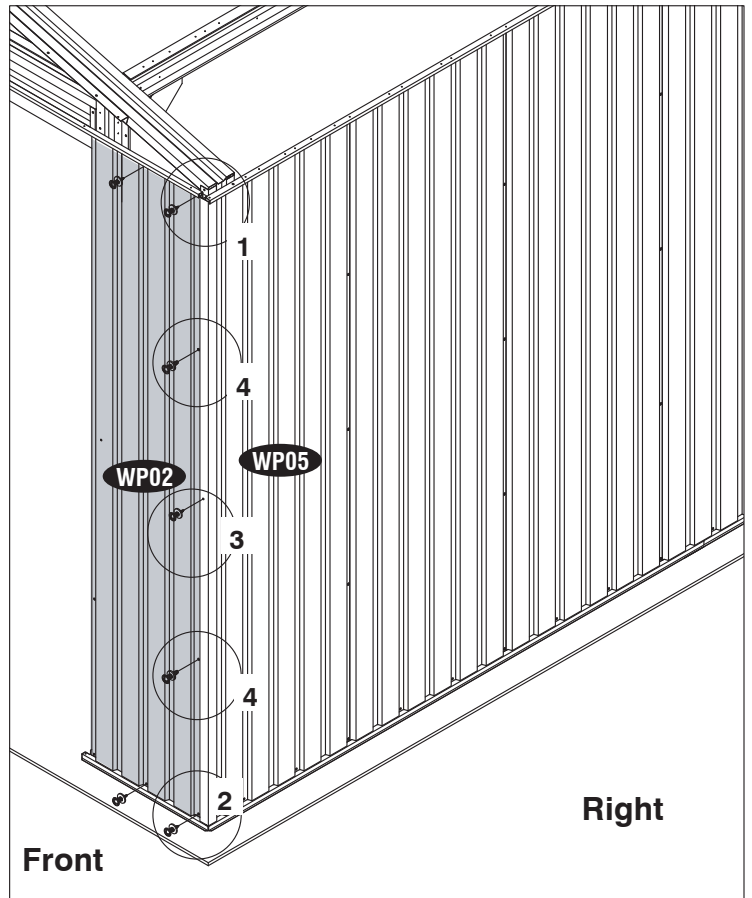


Fig.4



IMPORTANT: USE HAND GLOVES TO PREVENT INJURY.

Step - 10

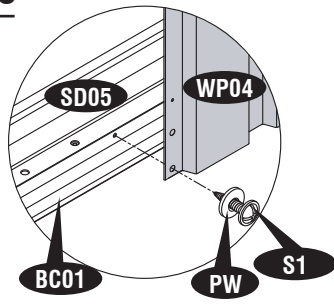


Fig.1

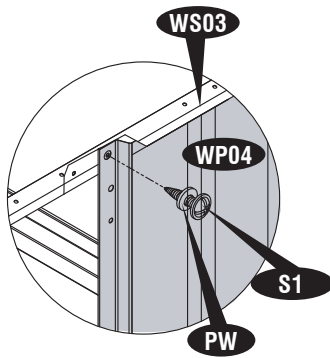
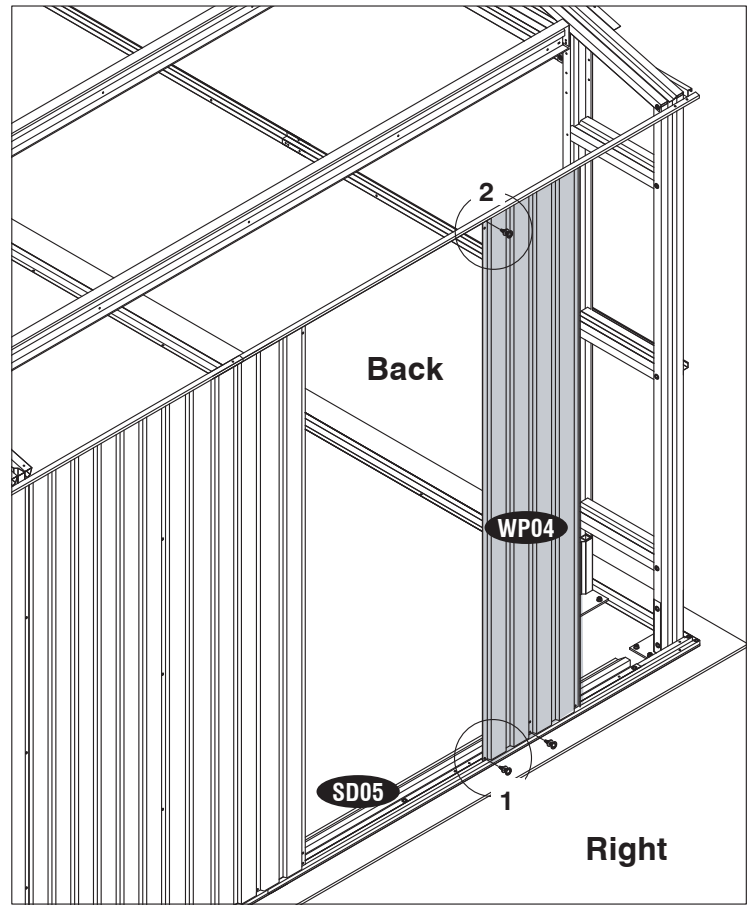


Fig.2



Step - 11

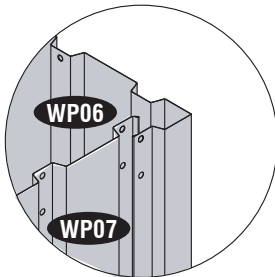


Fig.1

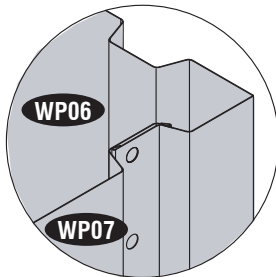
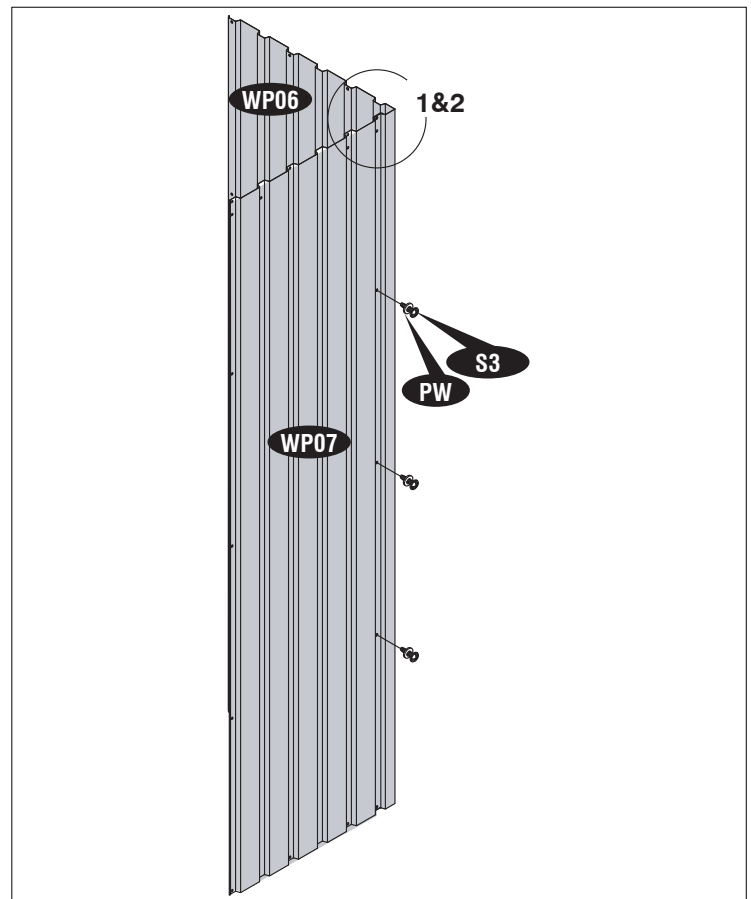
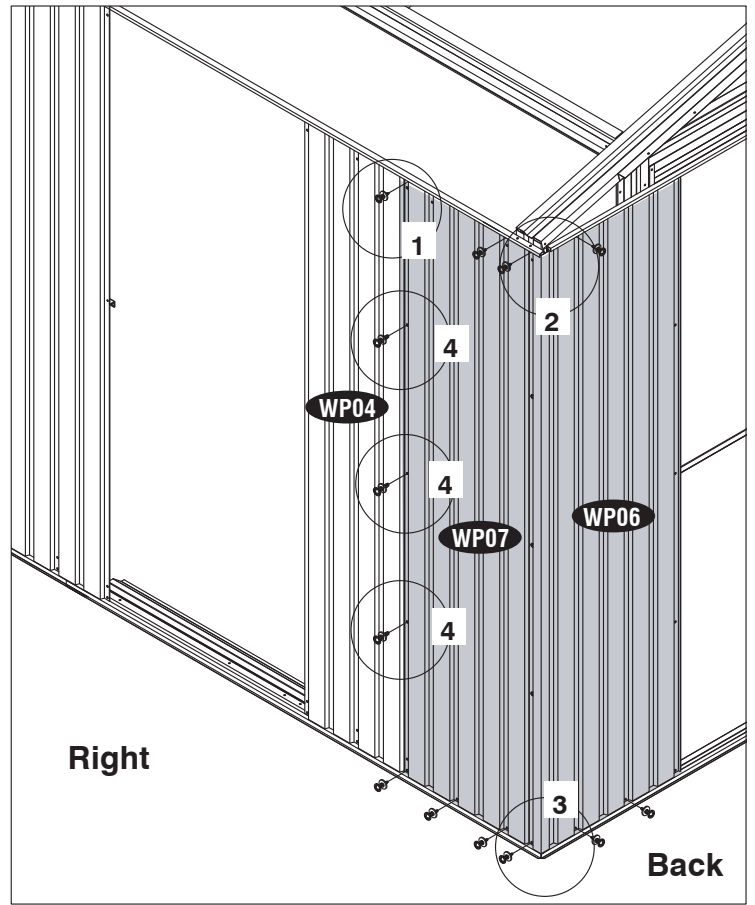
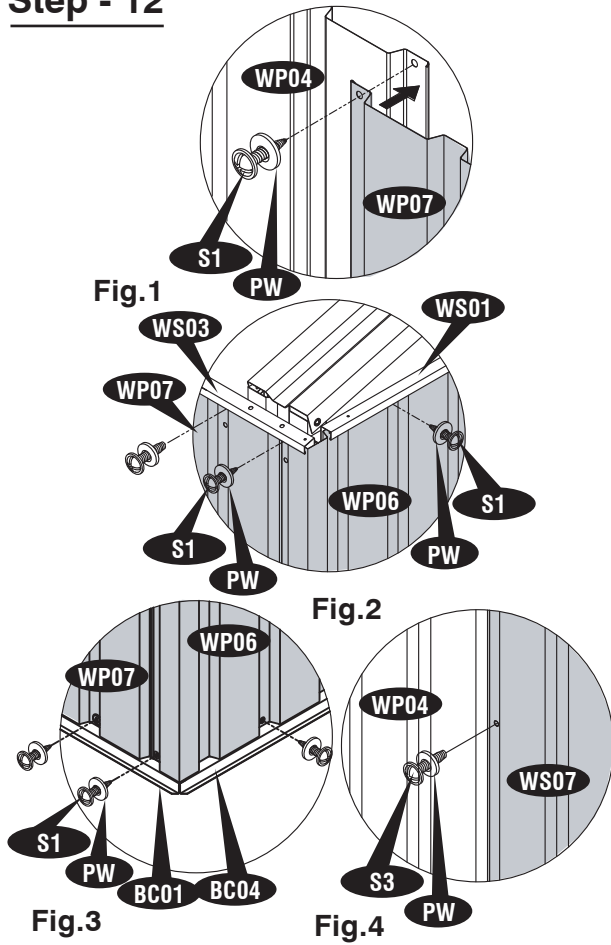


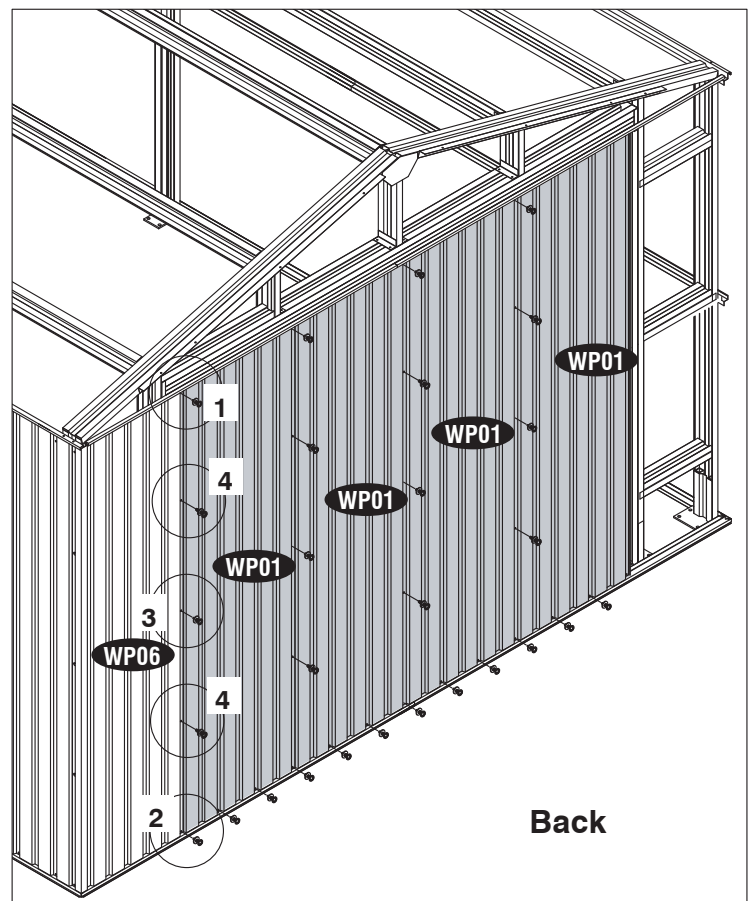
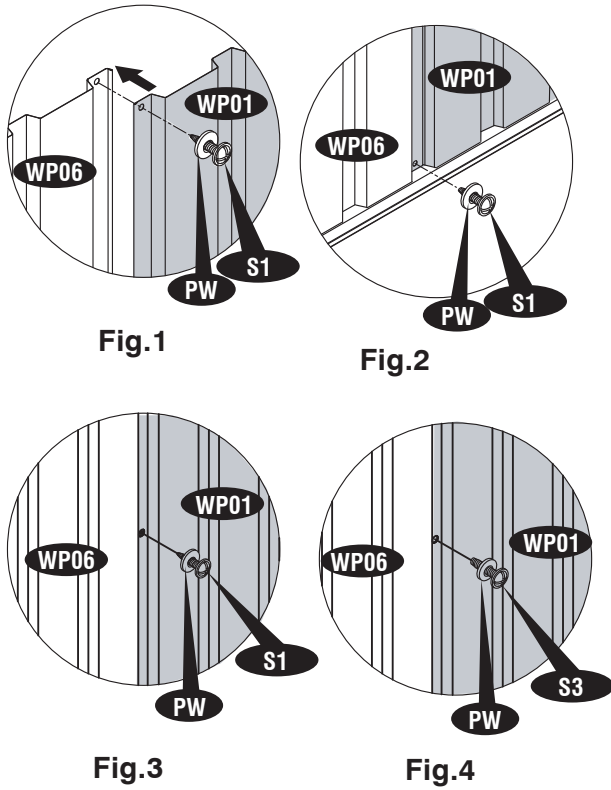
Fig.2



Step - 12



Step - 13



Step - 14

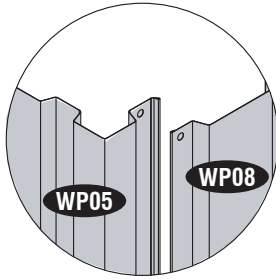


Fig.1

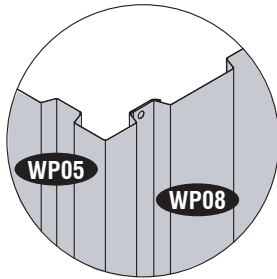
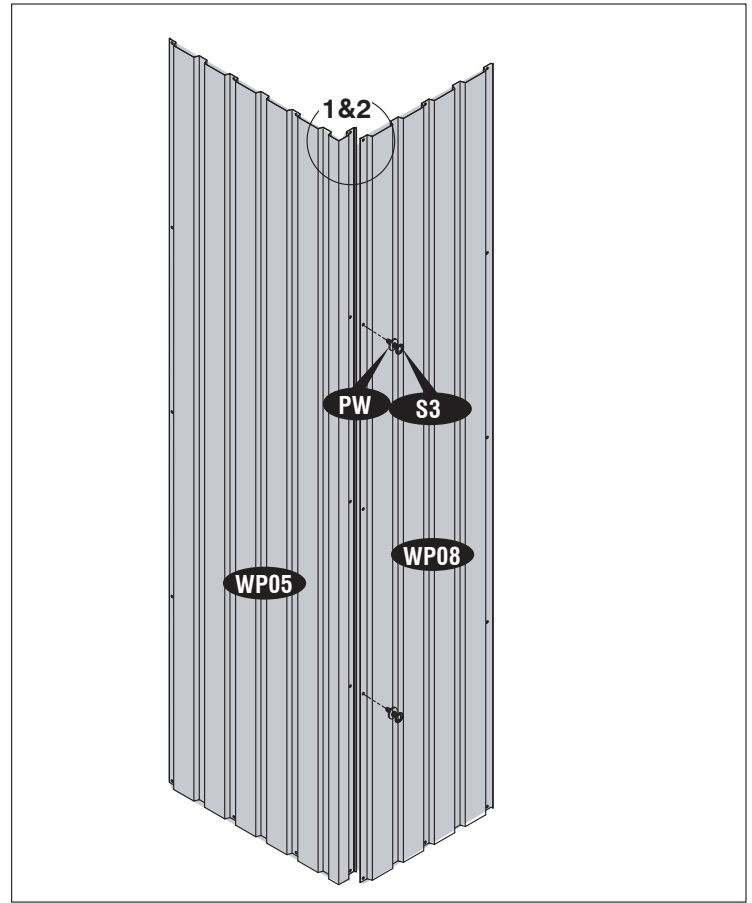


Fig.2



Step - 15

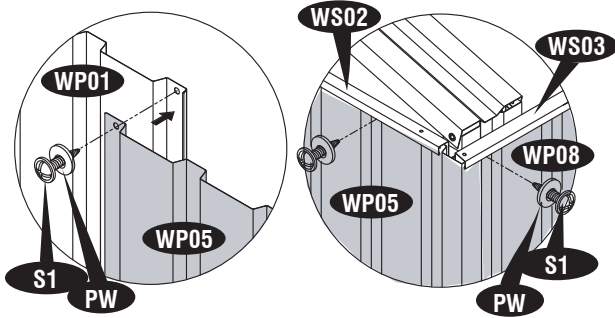


Fig.1

Fig.2

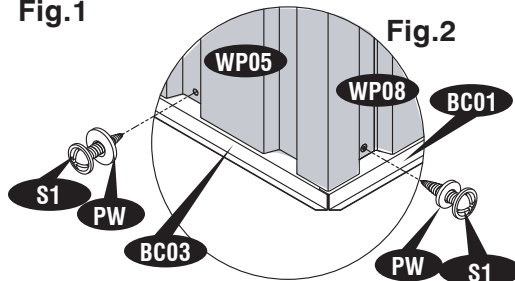


Fig.3

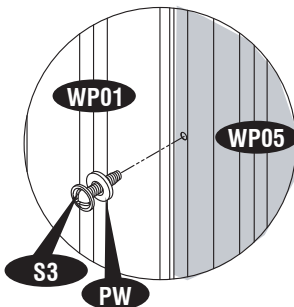
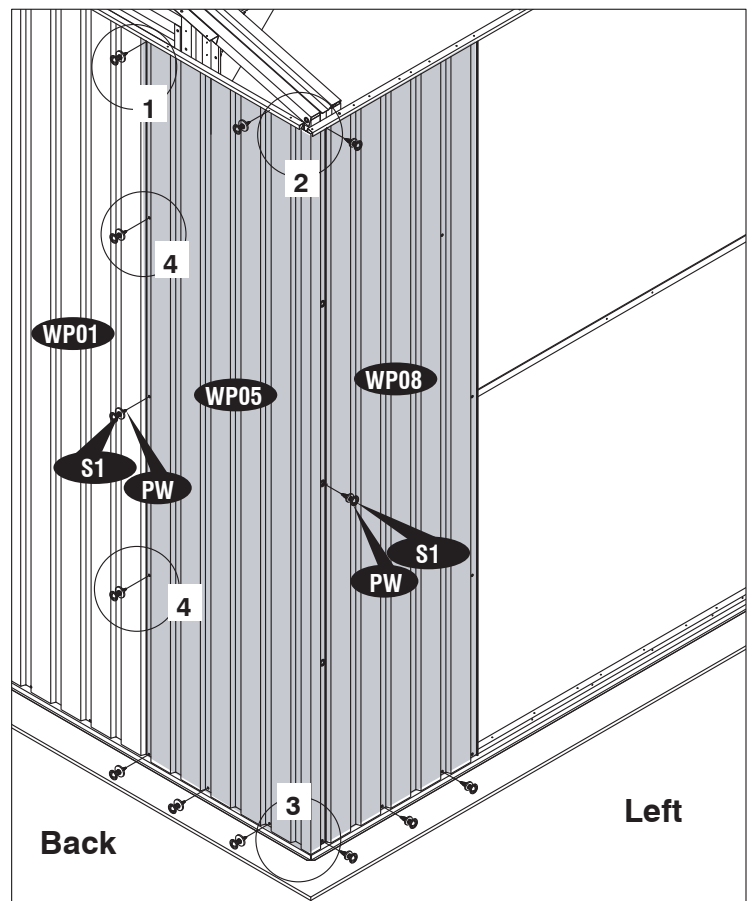


Fig.4



IMPORTANT: USE HAND GLOVES TO PREVENT INJURY.

Step - 16

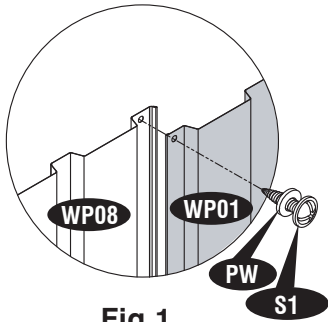


Fig.1

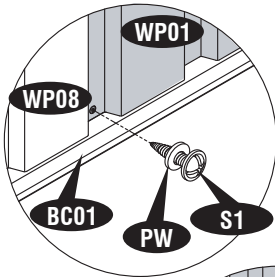


Fig.2

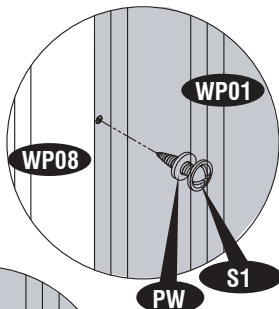


Fig.3

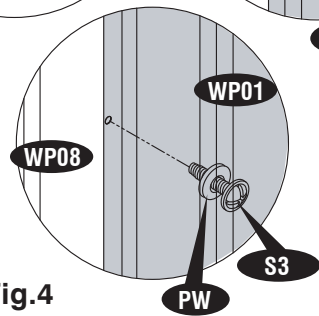
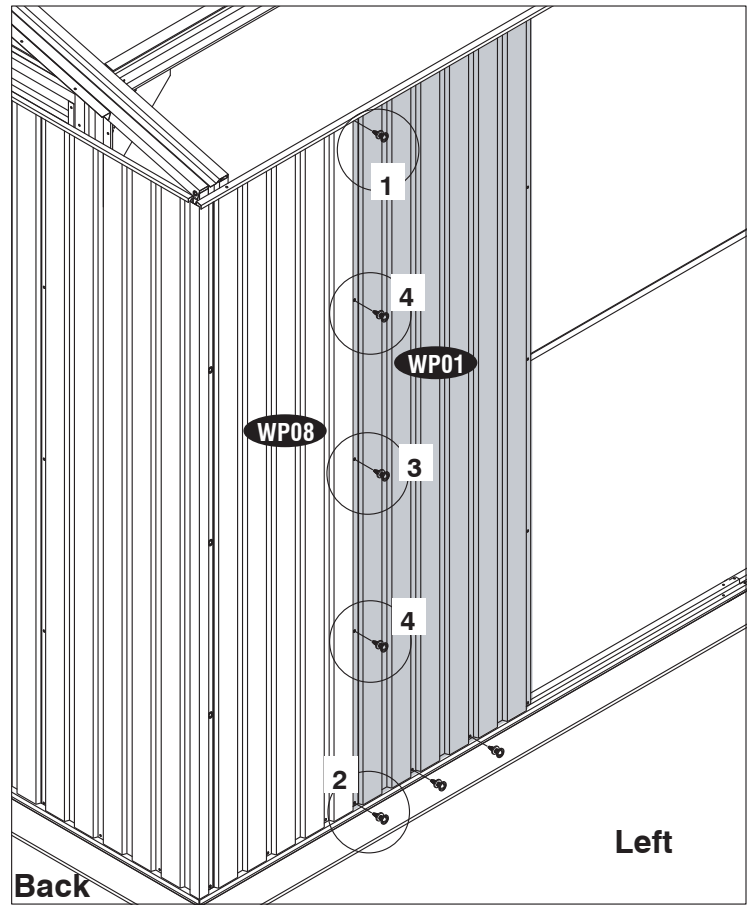


Fig.4



Step - 17

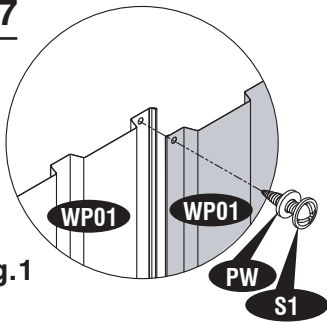


Fig.1

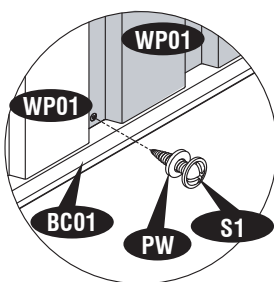


Fig.2

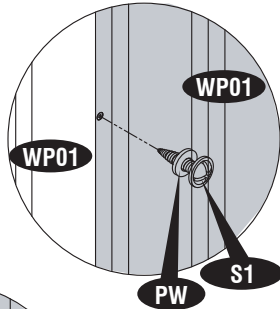


Fig.3

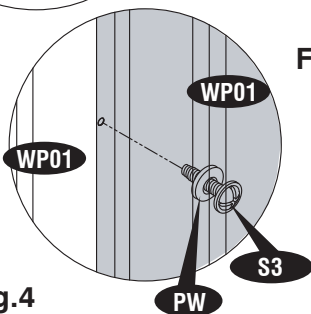
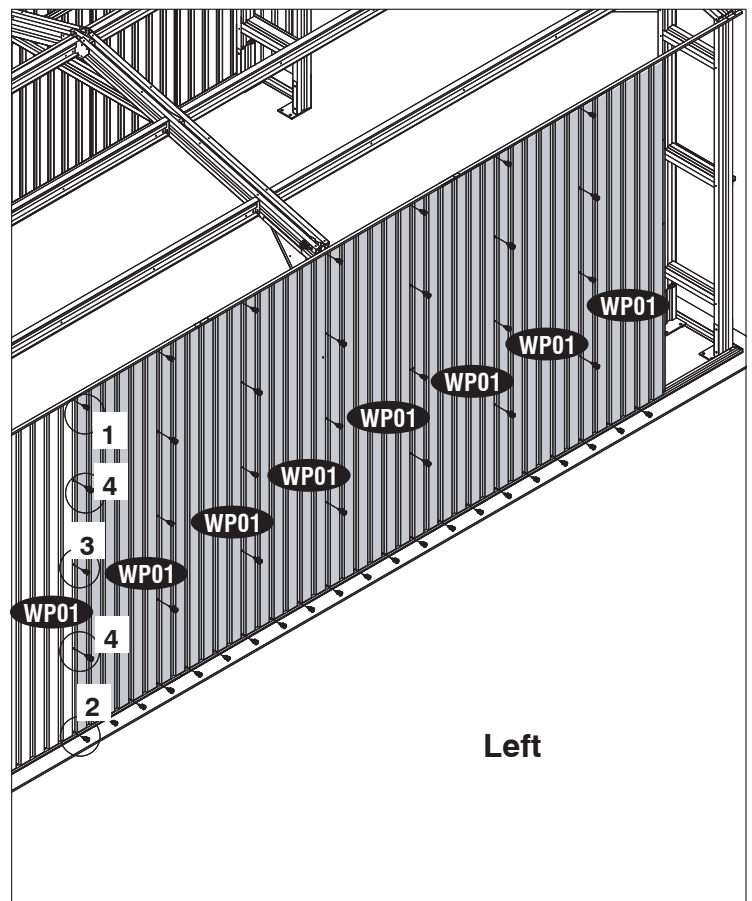


Fig.4



IMPORTANT: USE HAND GLOVES TO PREVENT INJURY.

Step - 18

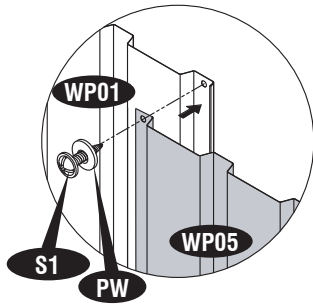


Fig.1

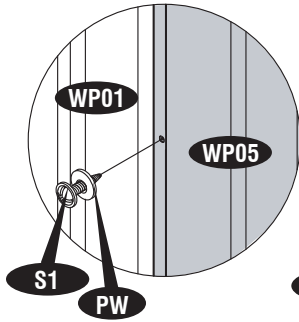


Fig.2

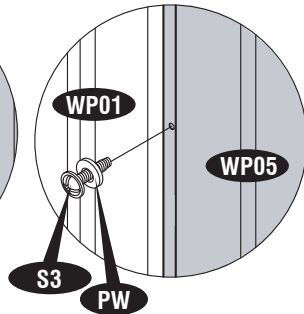
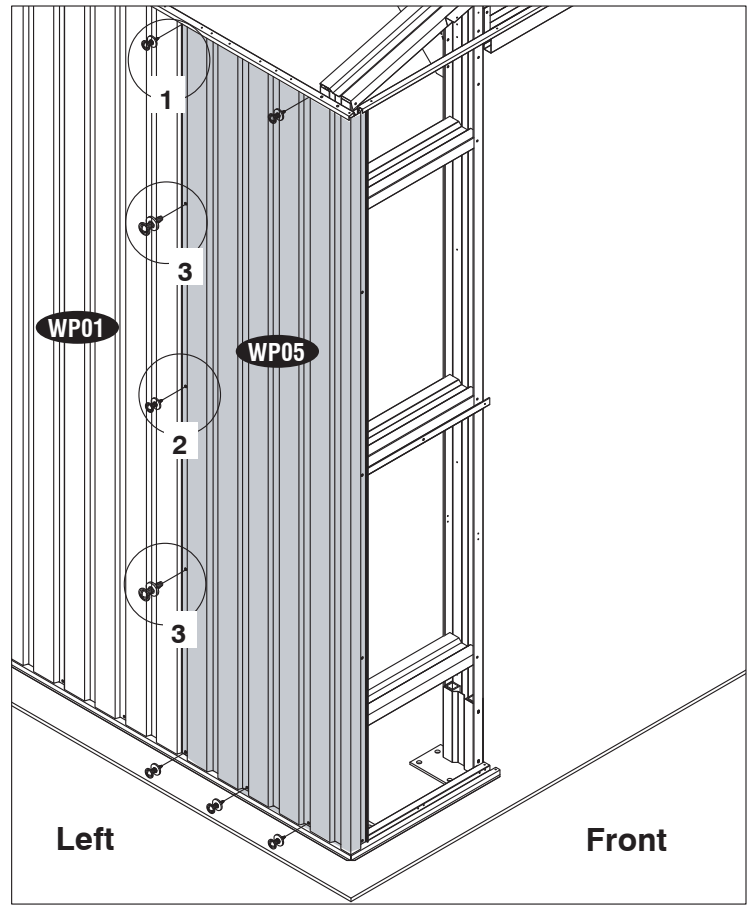


Fig.3



Step - 19

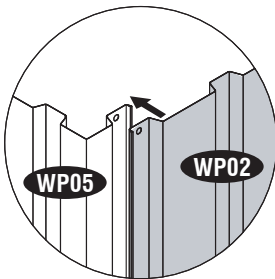


Fig.1

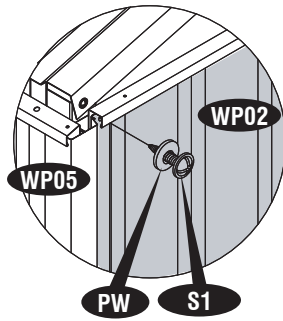


Fig.2

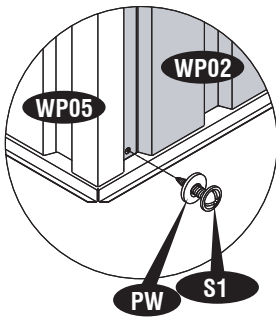


Fig.3

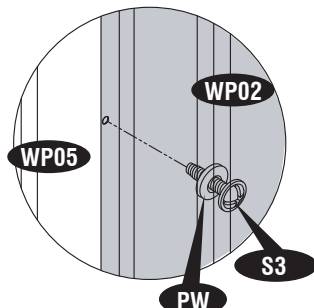
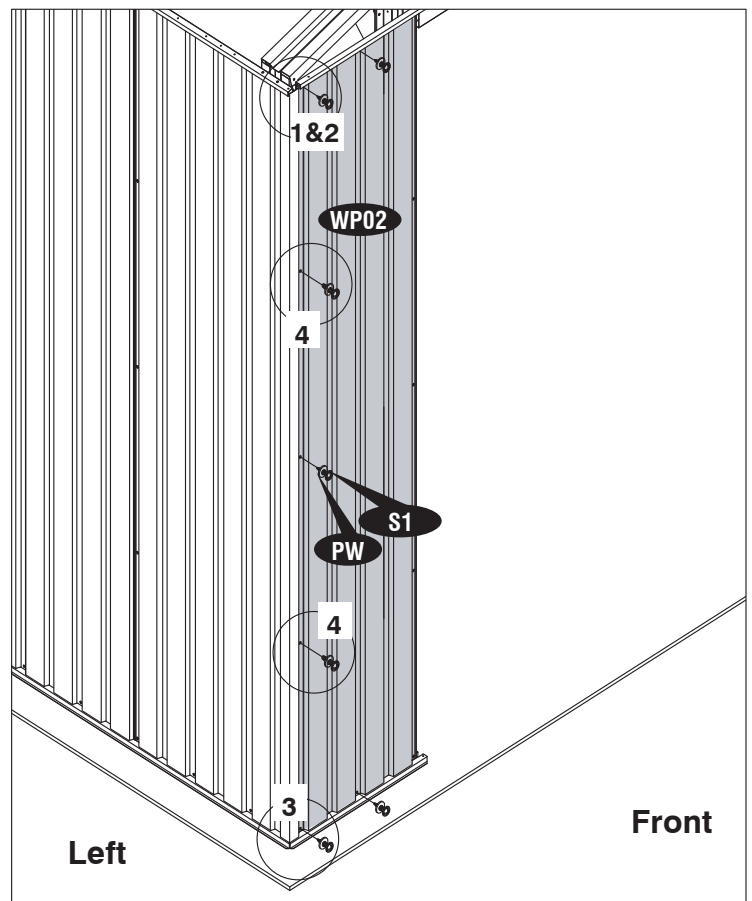


Fig.4



IMPORTANT: USE HAND GLOVES TO PREVENT INJURY.

Step - 20

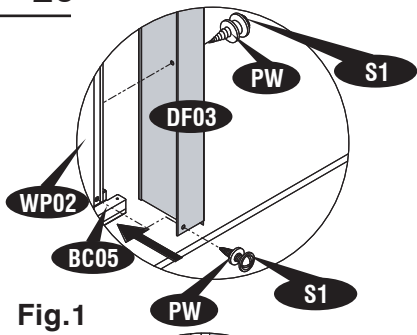


Fig.1

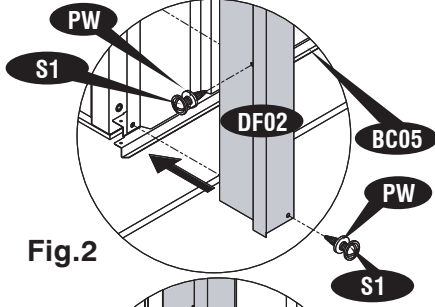


Fig.2

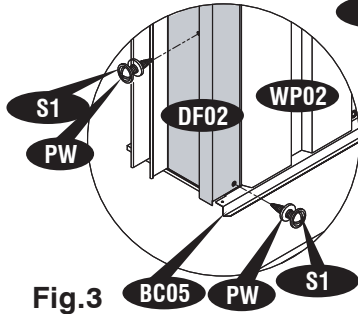
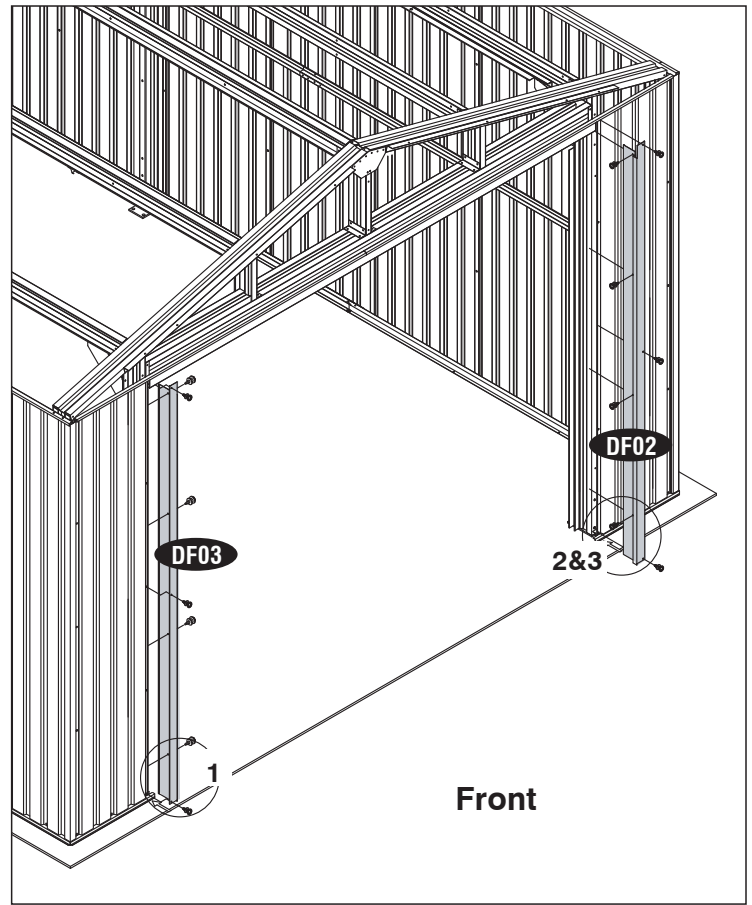


Fig.3



Front

Step - 21

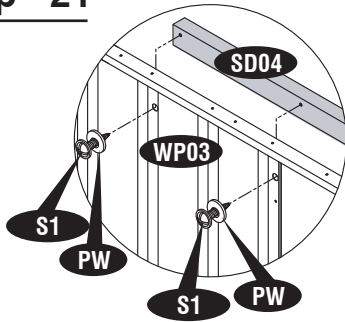


Fig.1

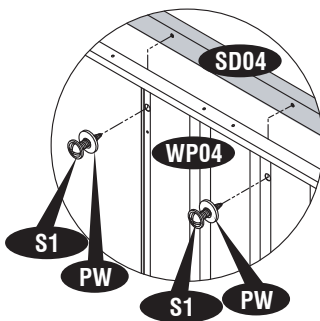
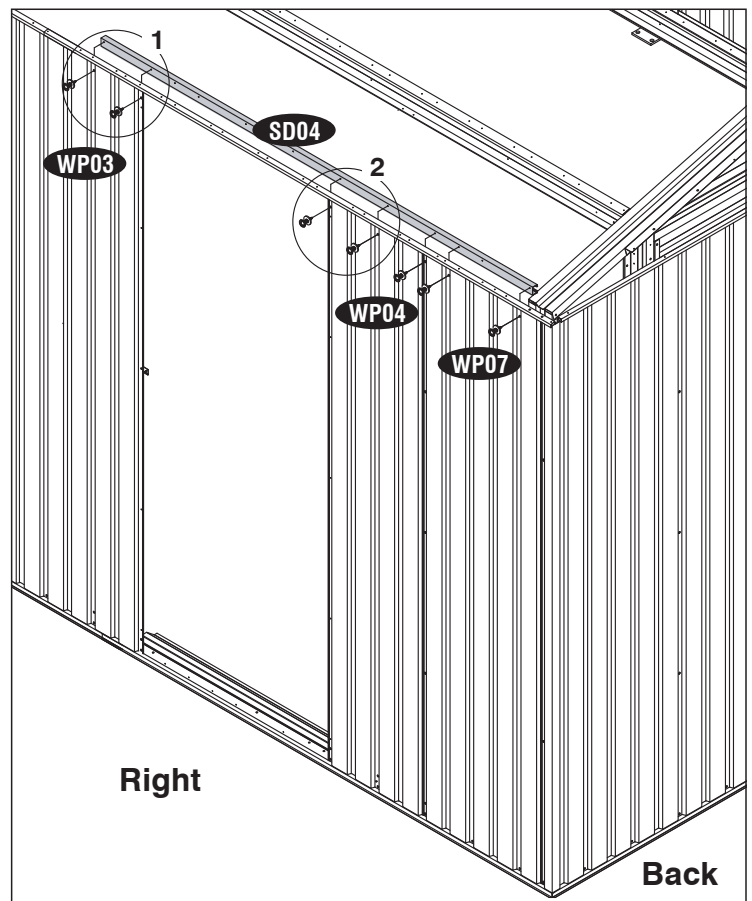


Fig.2



Right

Back

IMPORTANT: USE HAND GLOVES TO PREVENT INJURY.

Step - 22

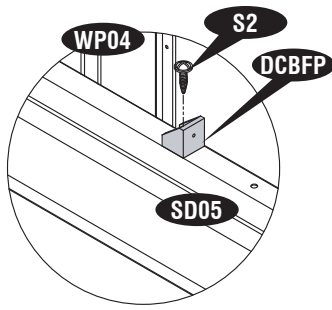


Fig.1

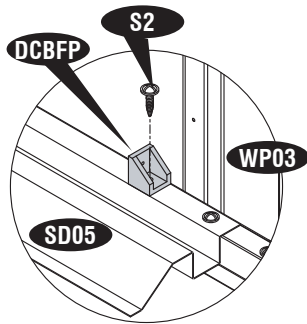
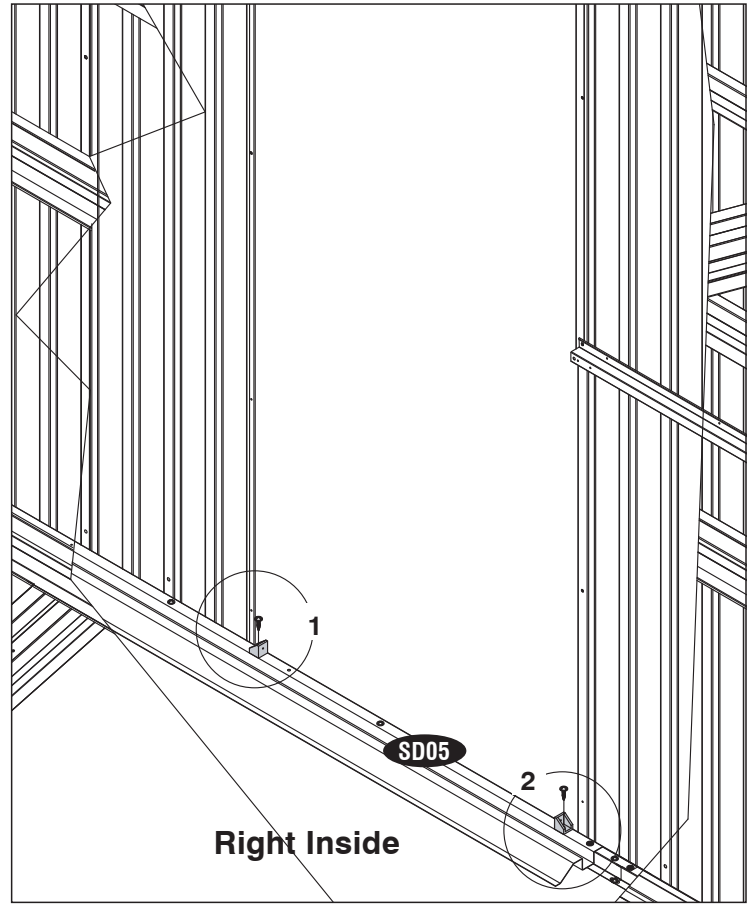


Fig.2



Step - 23

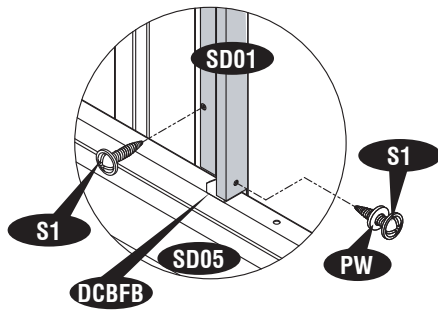


Fig.1

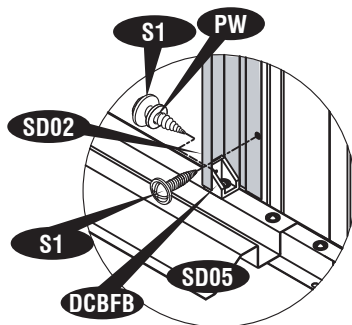


Fig.2

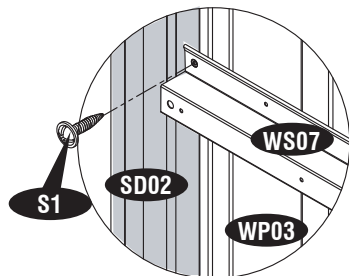
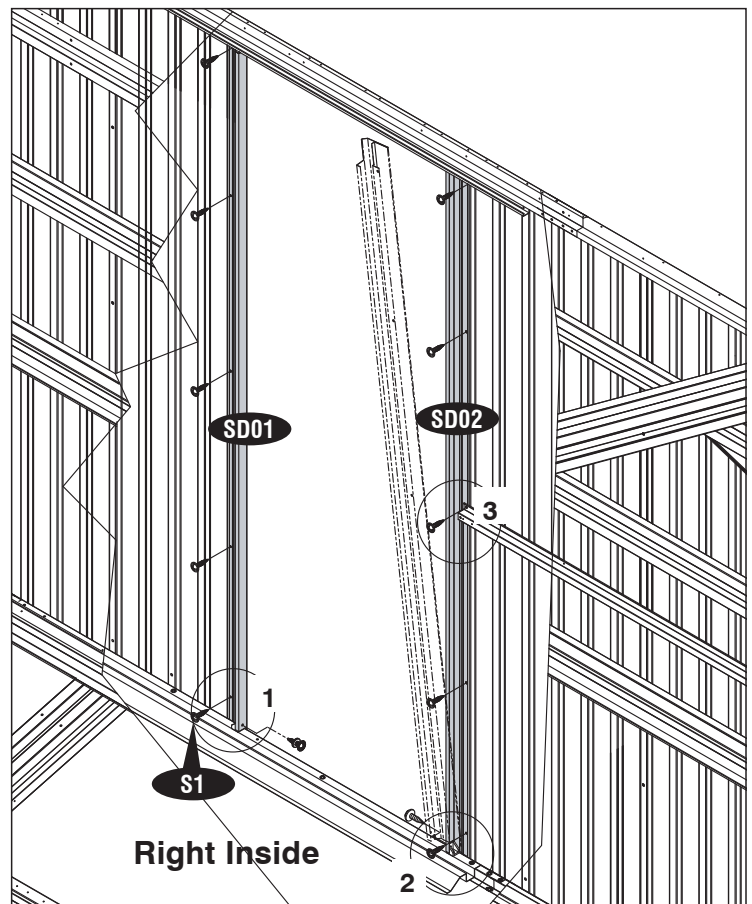
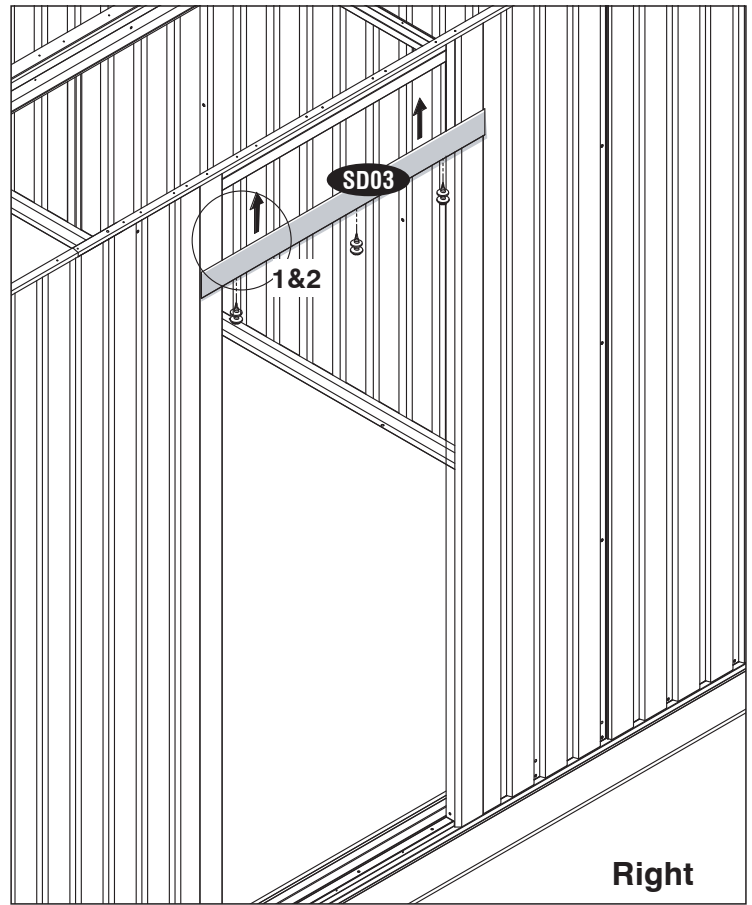
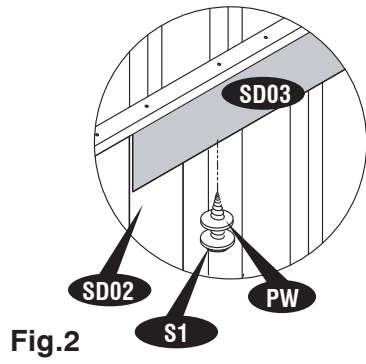
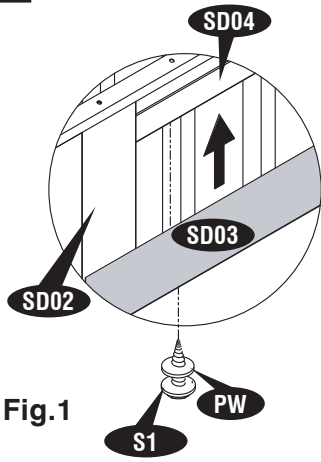


Fig.3



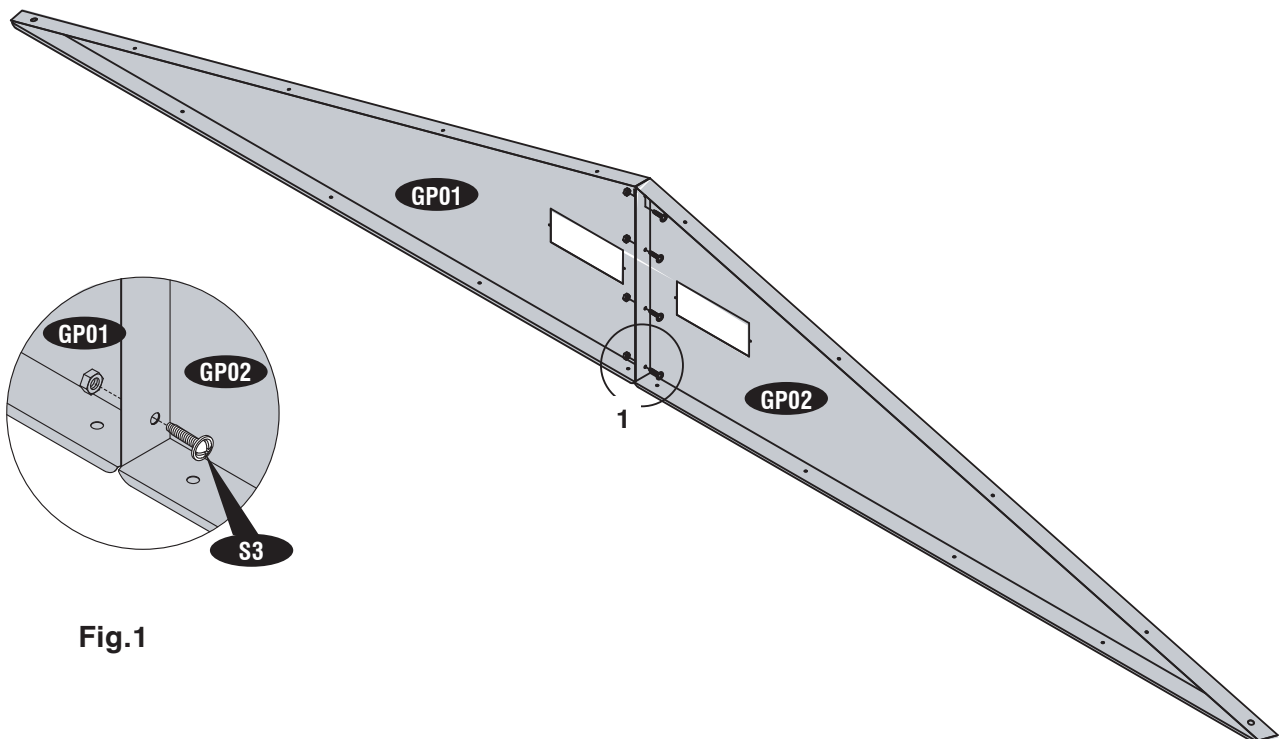
IMPORTANT: USE HAND GLOVES TO PREVENT INJURY.

Step - 24

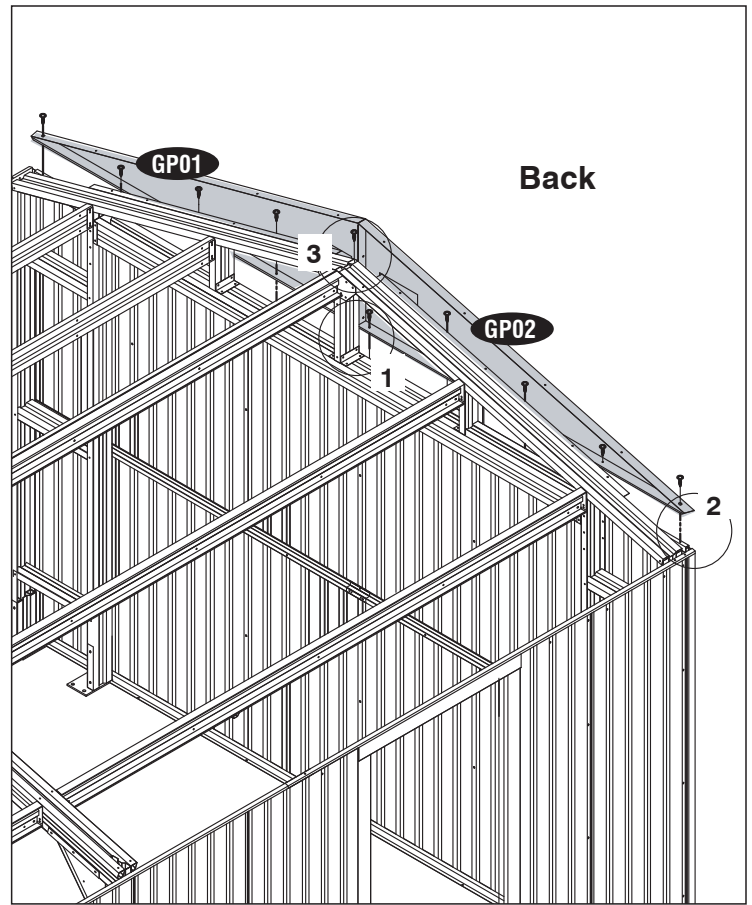
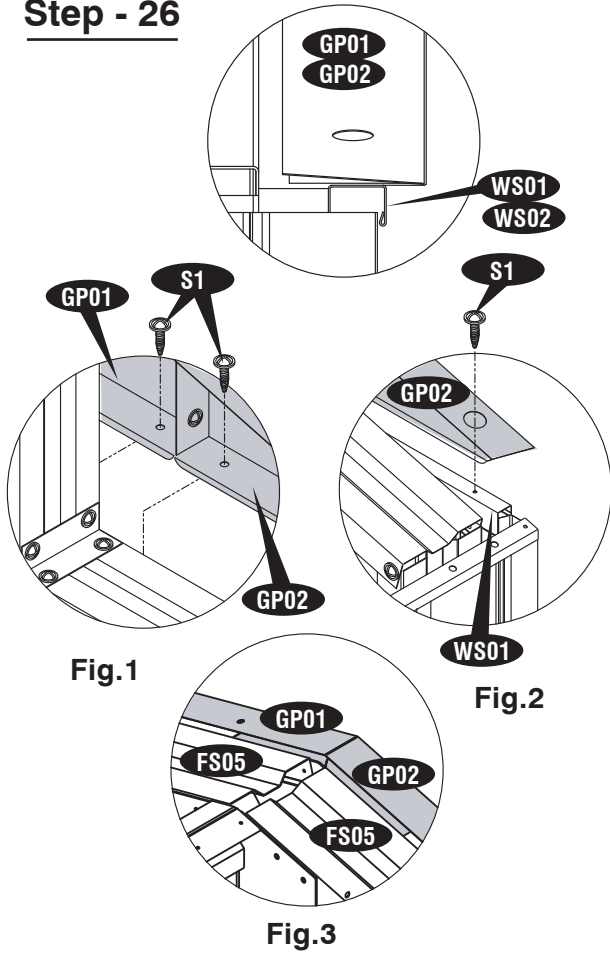


Step - 25

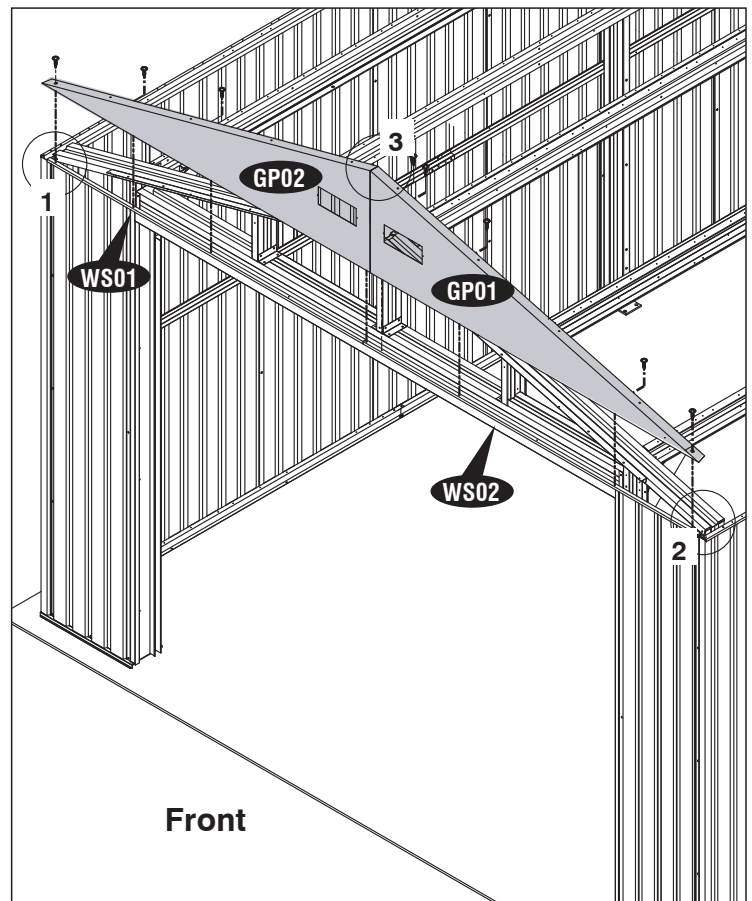
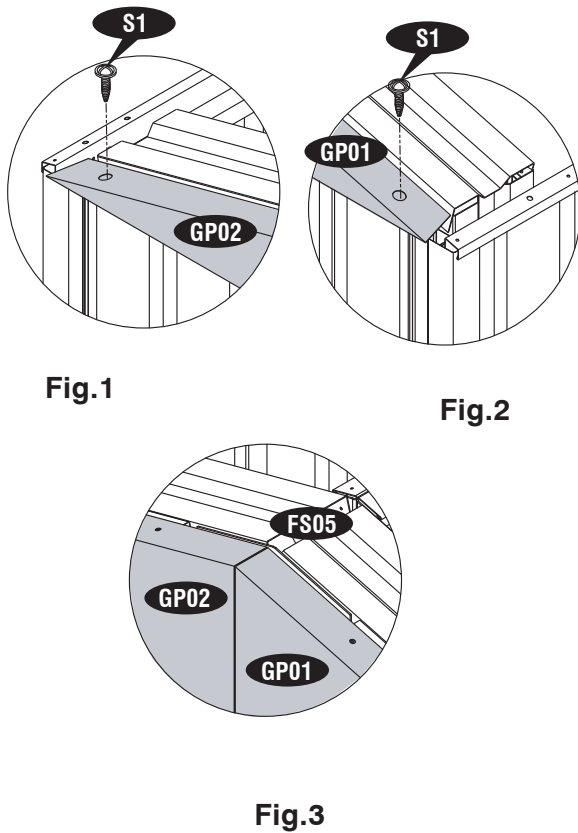
Make 2 Sets



Step - 26



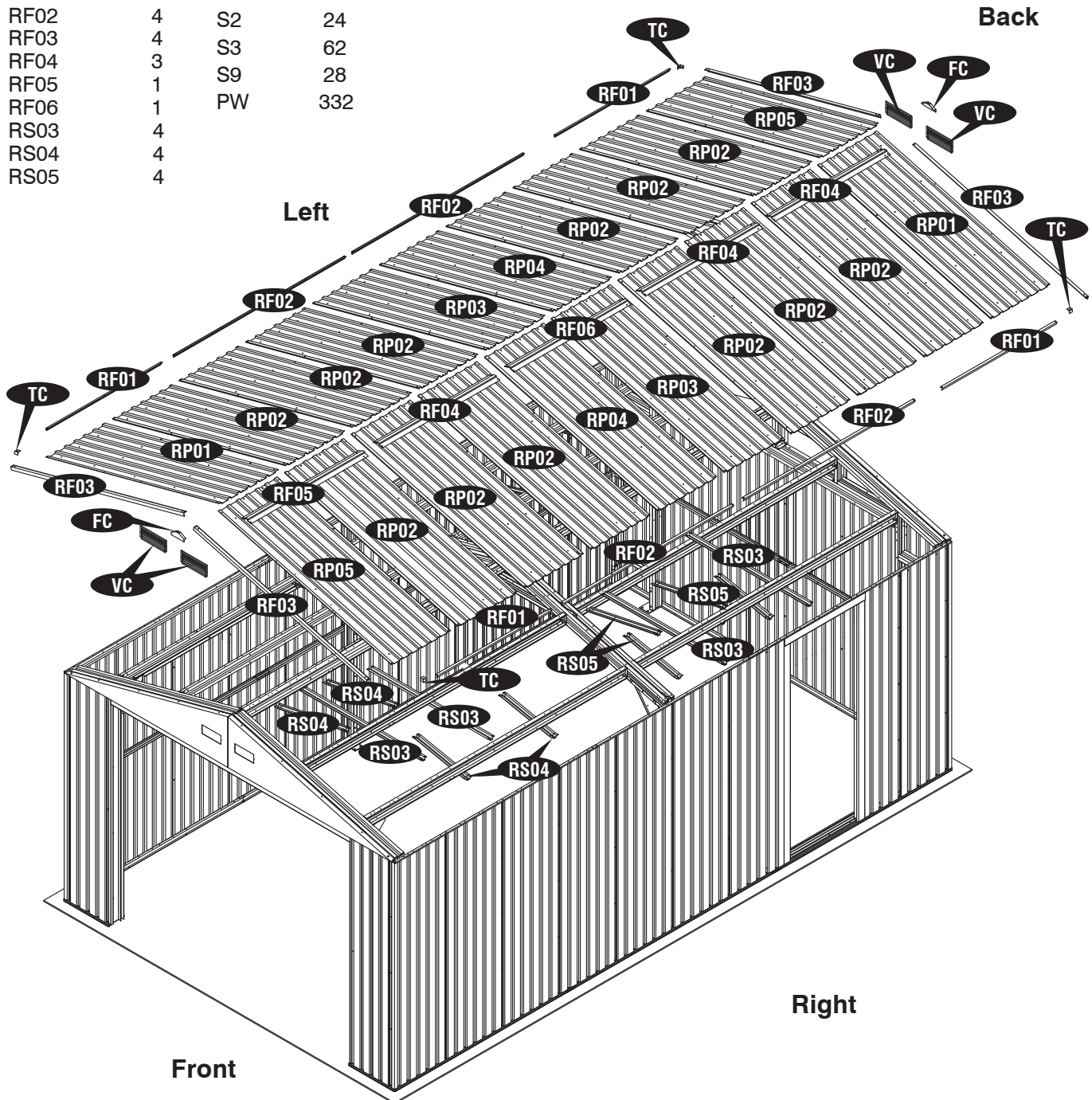
Step - 27



F. Roof Panel Installations and Accessories

Parts Needed:

Code	Qty.	Code	Qty.
RP01	2	WST	8 Meter
RP02	12	FC	2
RP03	2	VC	4
RP04	2	TC	4
RP05	2	S1	254
RF01	4	S2	24
RF02	4	S3	62
RF03	4	S9	28
RF04	3	PW	332
RF05	1		
RF06	1		
RS03	4		
RS04	4		
RS05	4		



IMPORTANT: USE HAND GLOVES TO PREVENT INJURY.

Step - 1

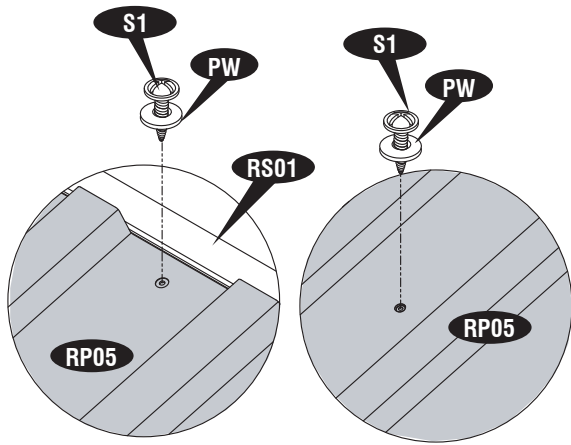
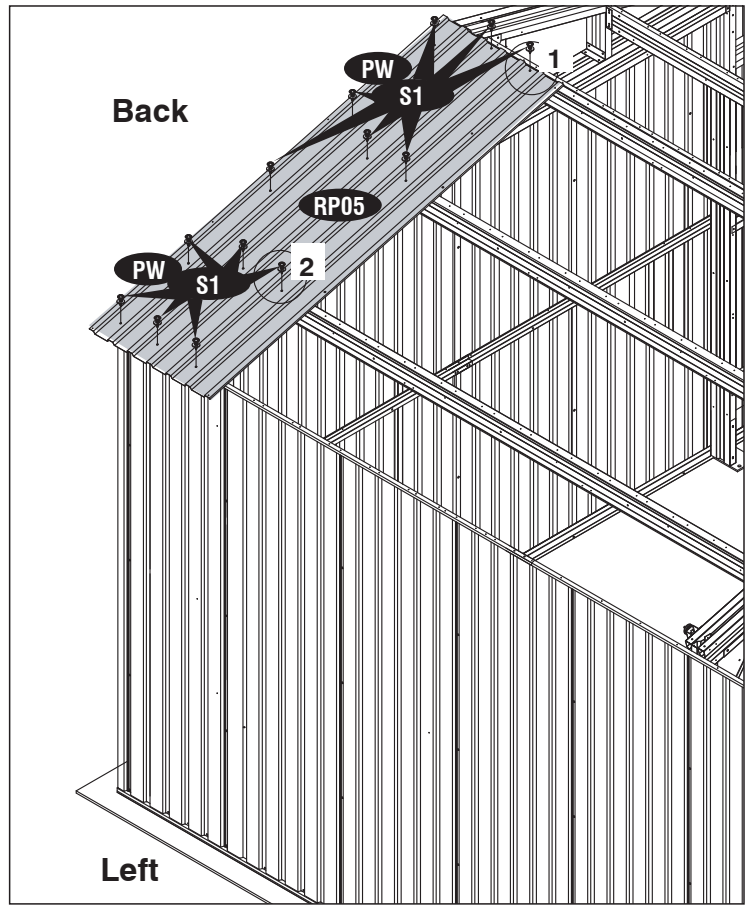


Fig.1

Fig.2



Step -2

Note *Make sure the overlapping position for roof panel is as shown in blow up.*

Note *Roof Panel installation by using ladder from inside at missing Panels.*

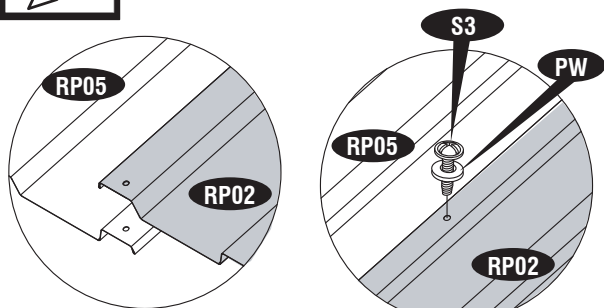


Fig.1

Fig.2

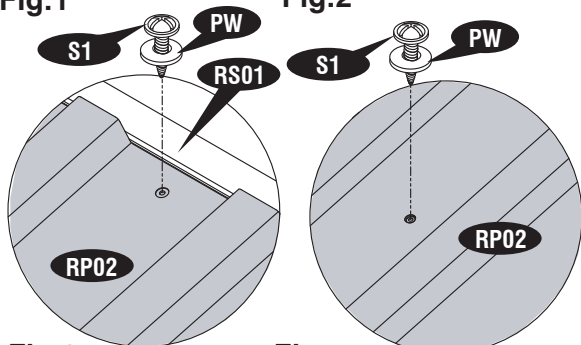
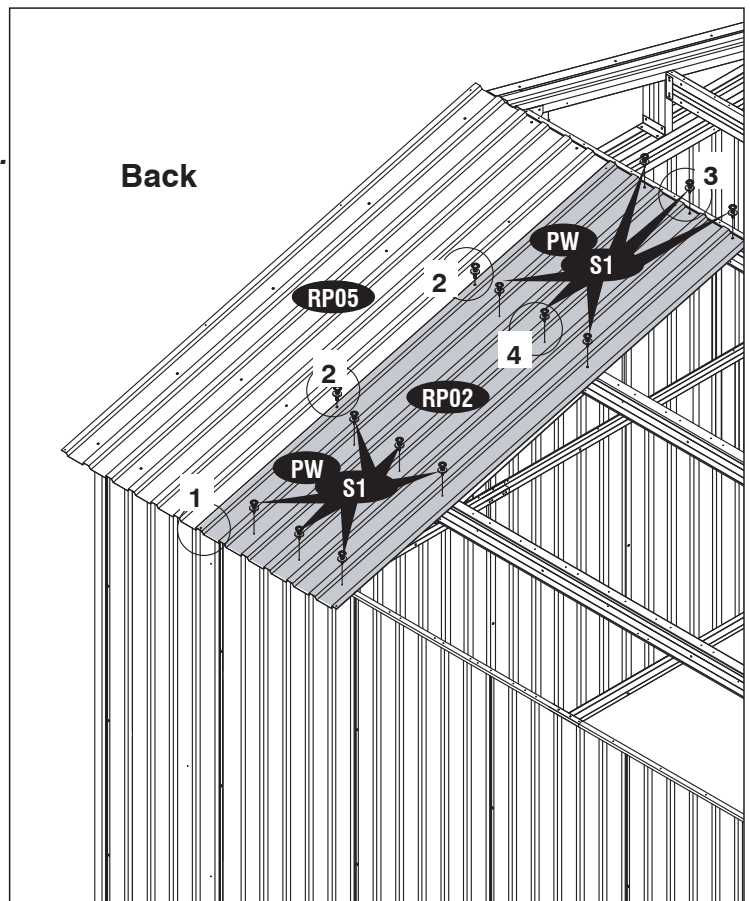
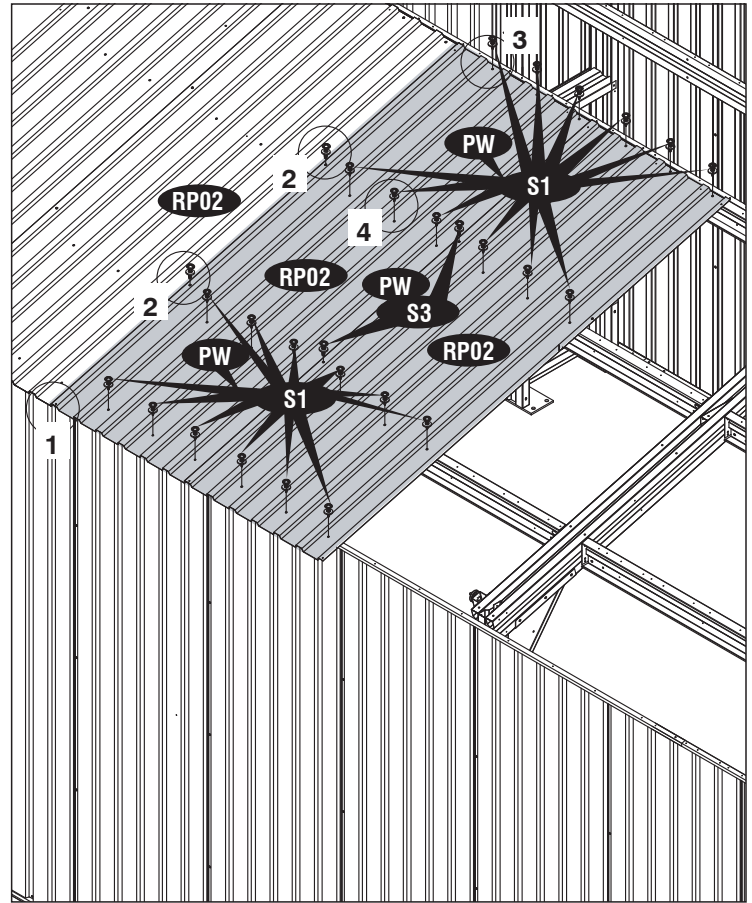
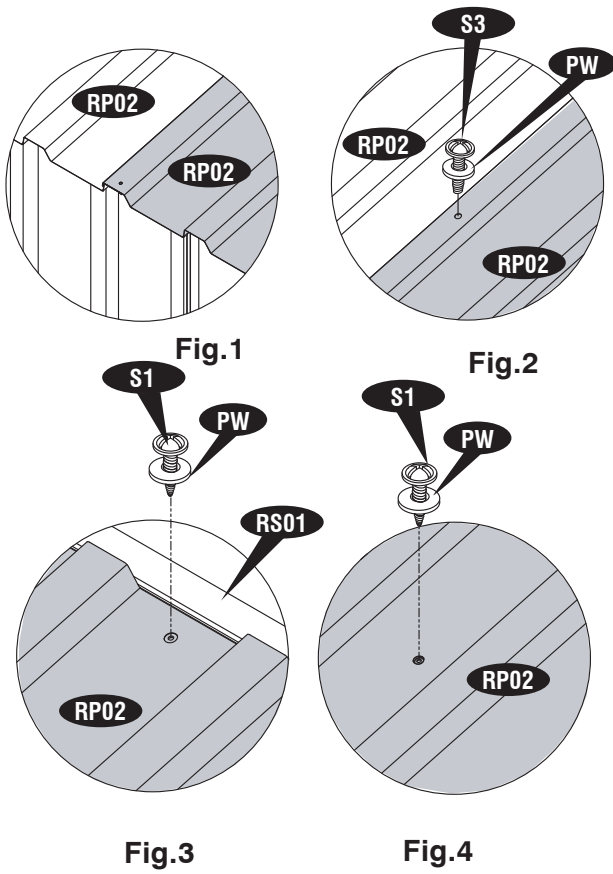


Fig.3

Fig.4

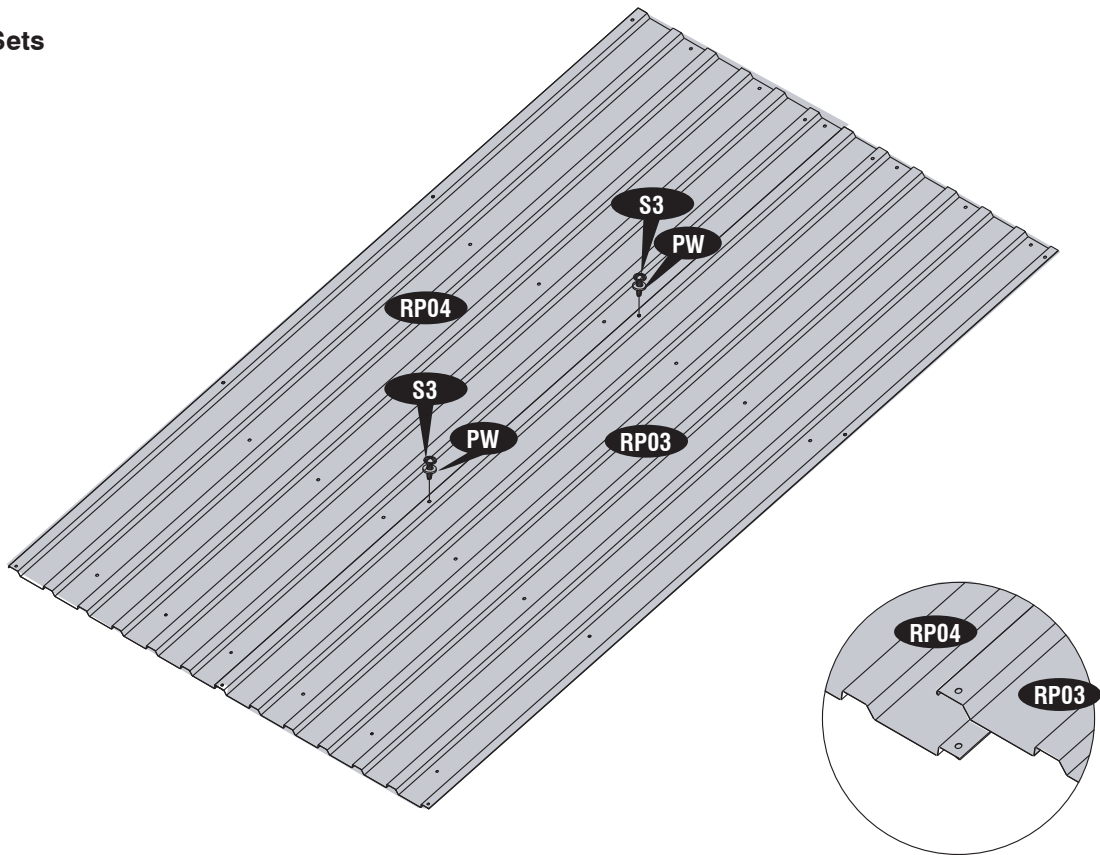


Step -3



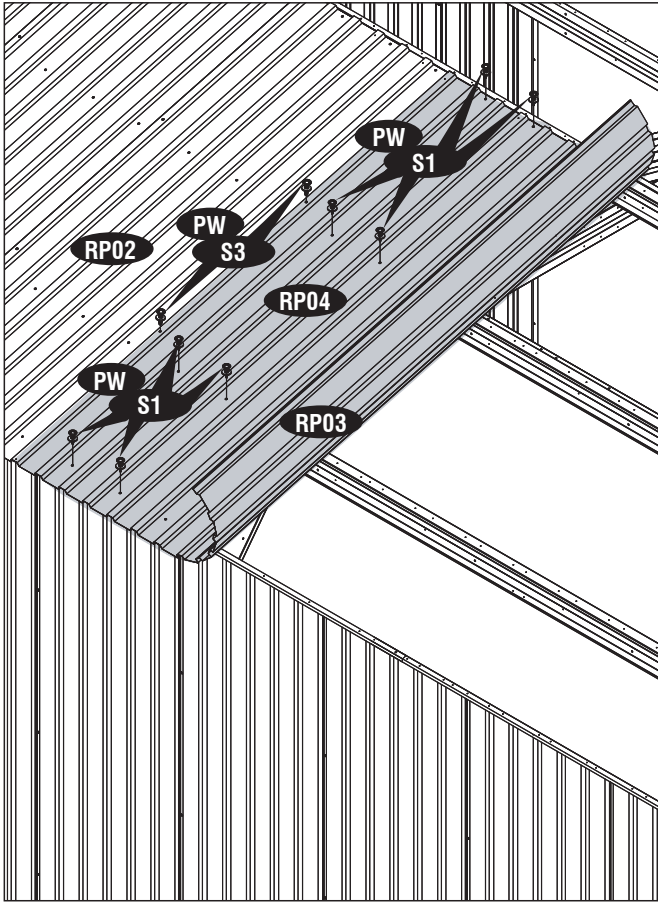
Step -4

Make 2 Sets

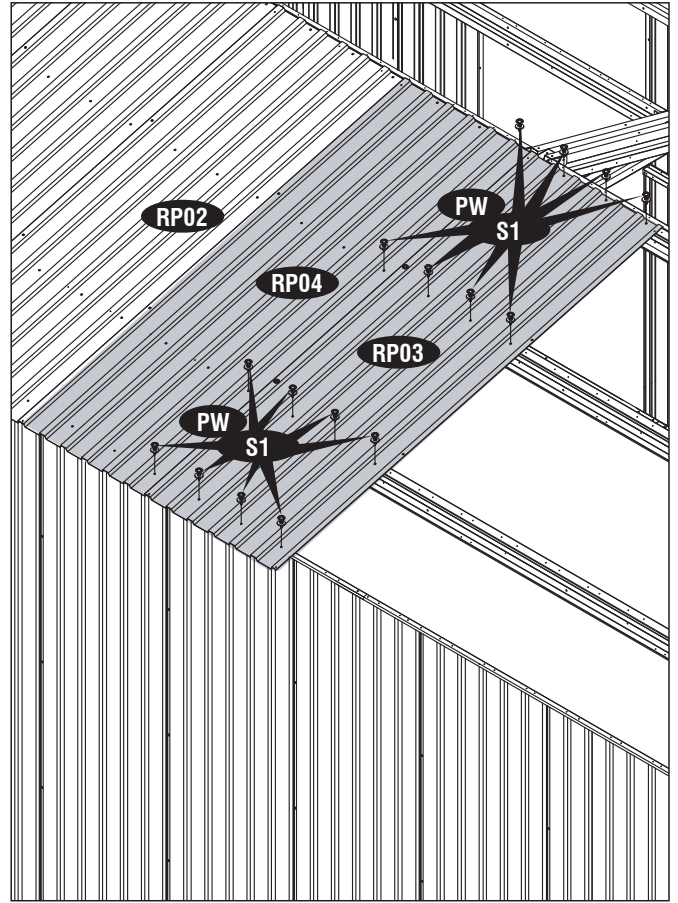


IMPORTANT: USE HAND GLOVES TO PREVENT INJURY.

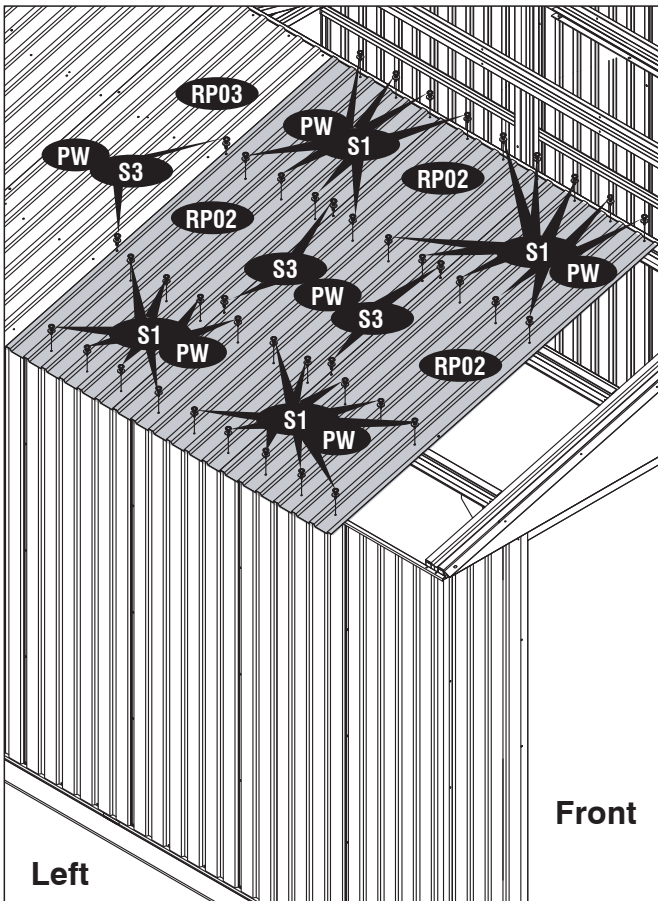
Step -5



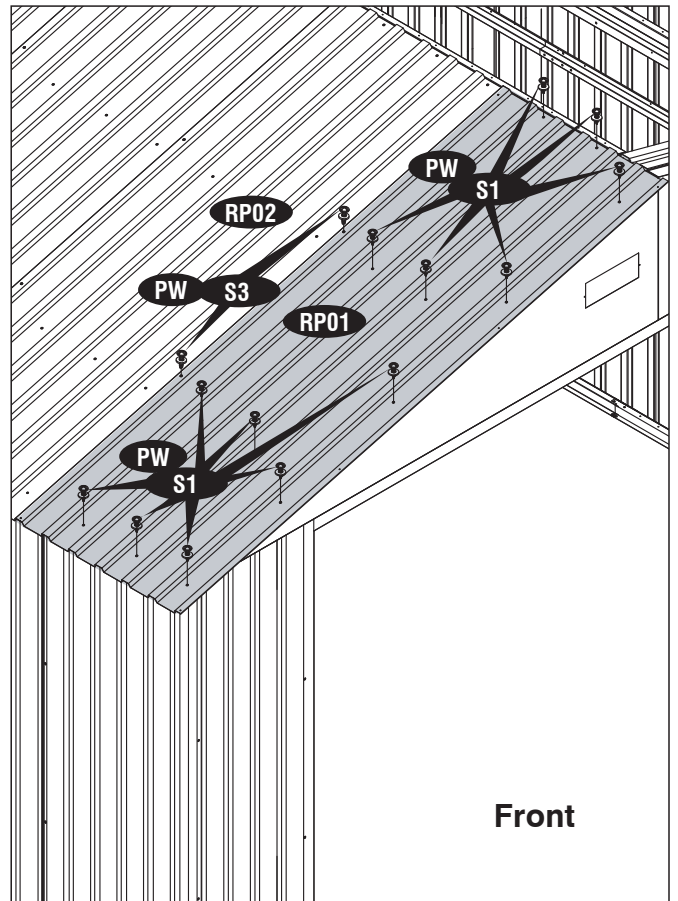
Step -6



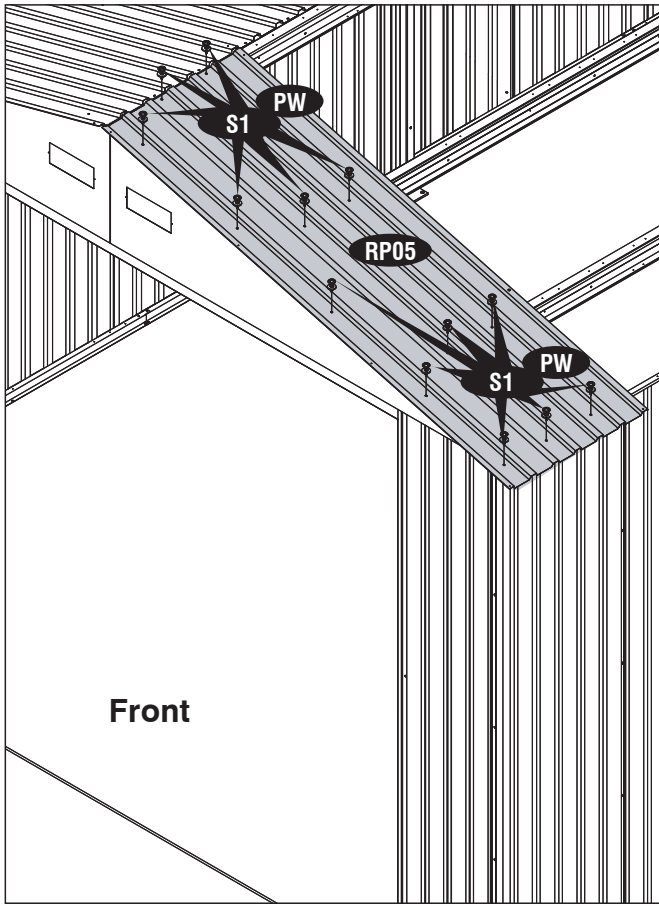
Step -7



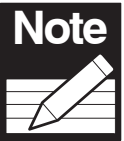
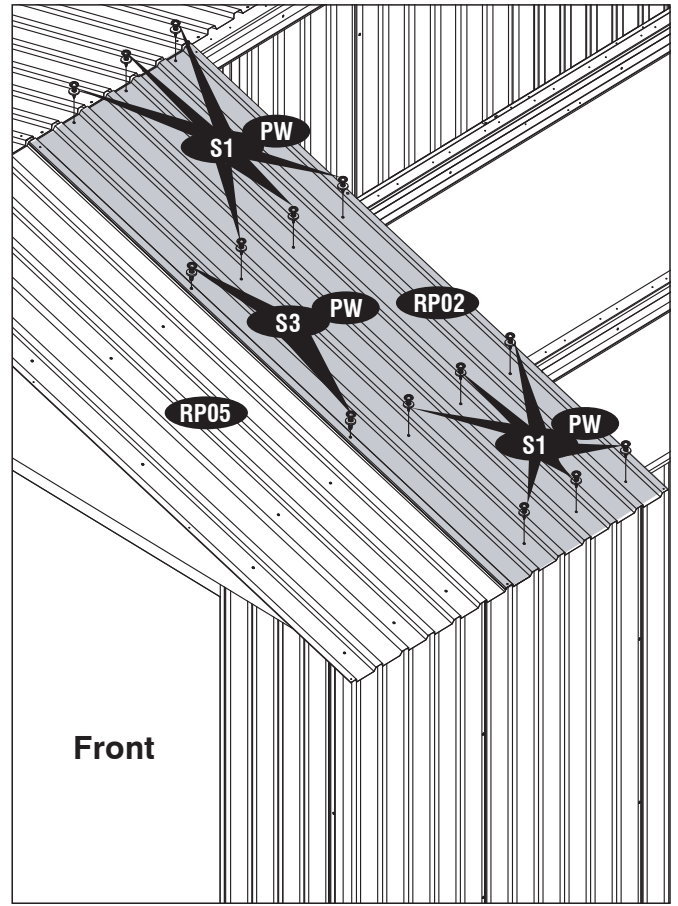
Step -8



Step - 9



Step - 10



Note Roof Panel installation by using ladder from inside at missing Panels.

Step - 11

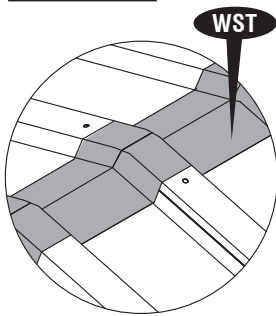


Fig.1

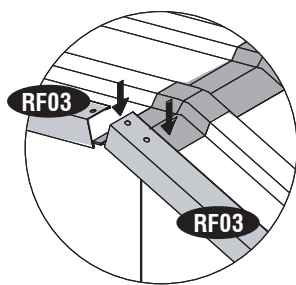


Fig.2

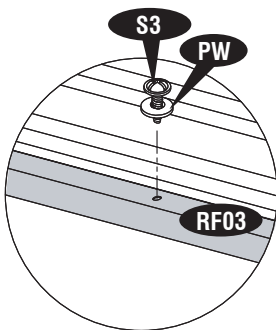


Fig.3

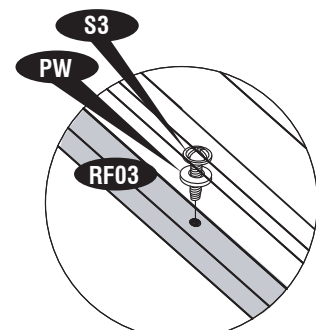
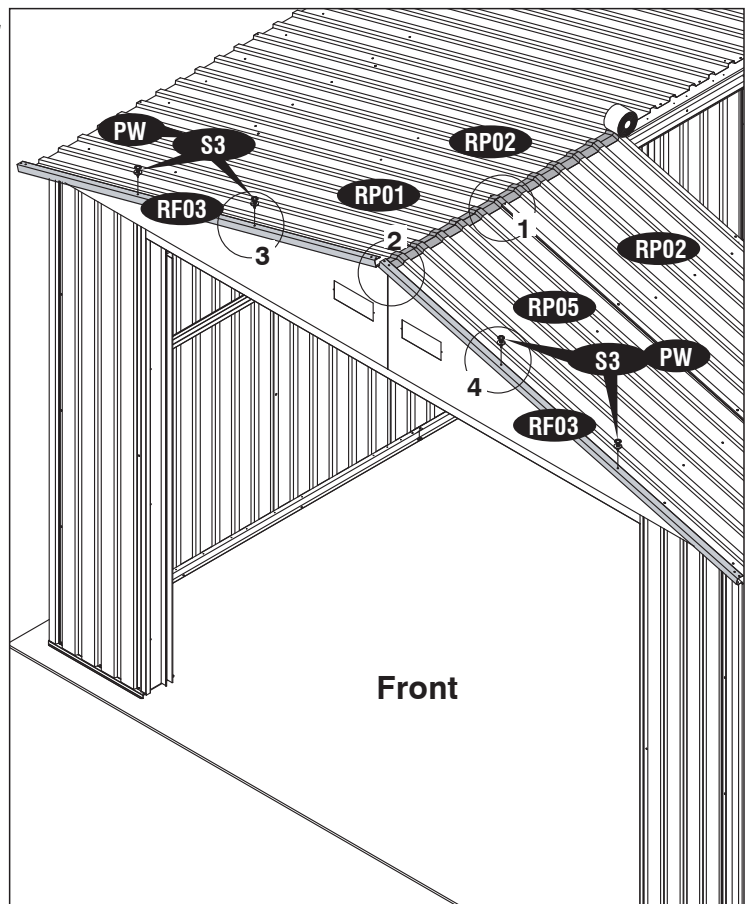


Fig.4



IMPORTANT: USE HAND GLOVES TO PREVENT INJURY.

Step - 12

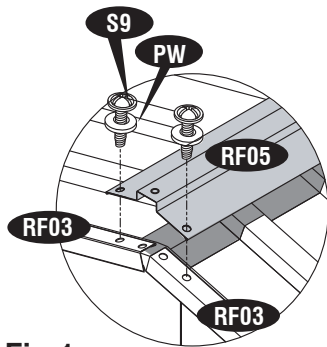


Fig.1

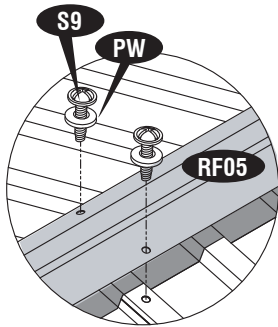
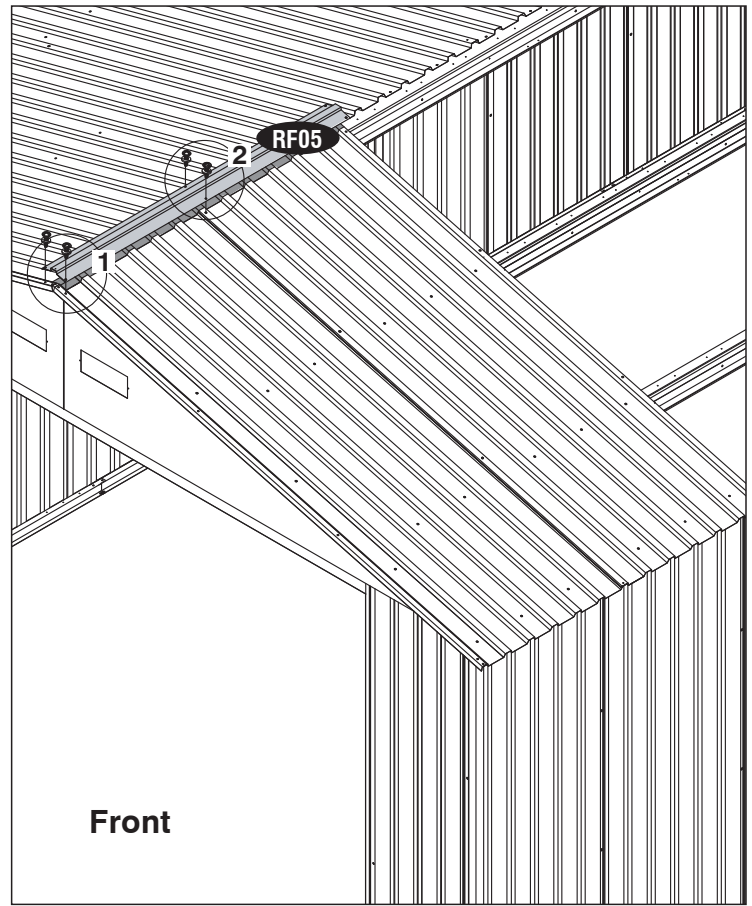
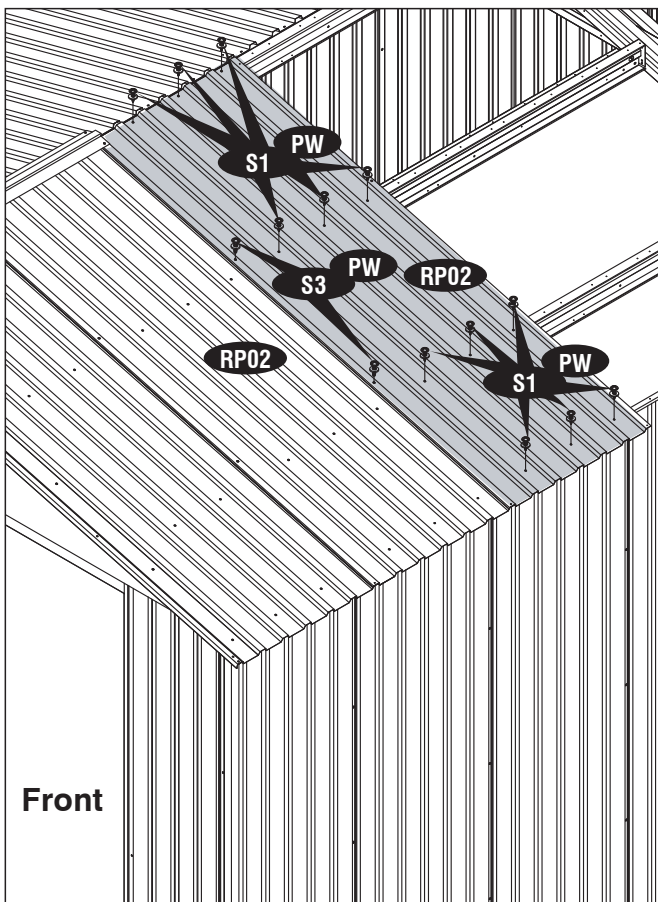


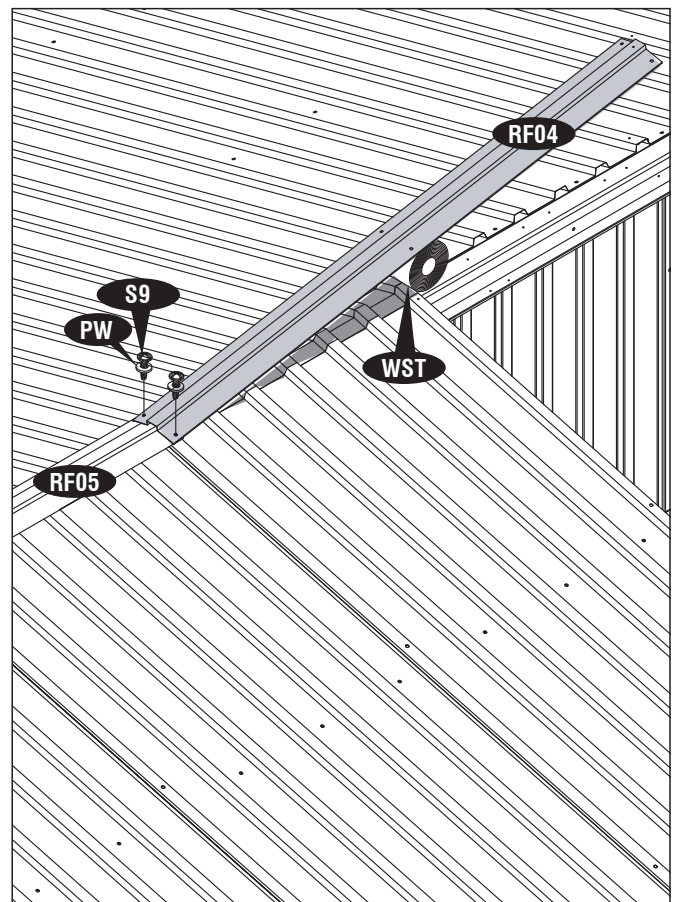
Fig.2



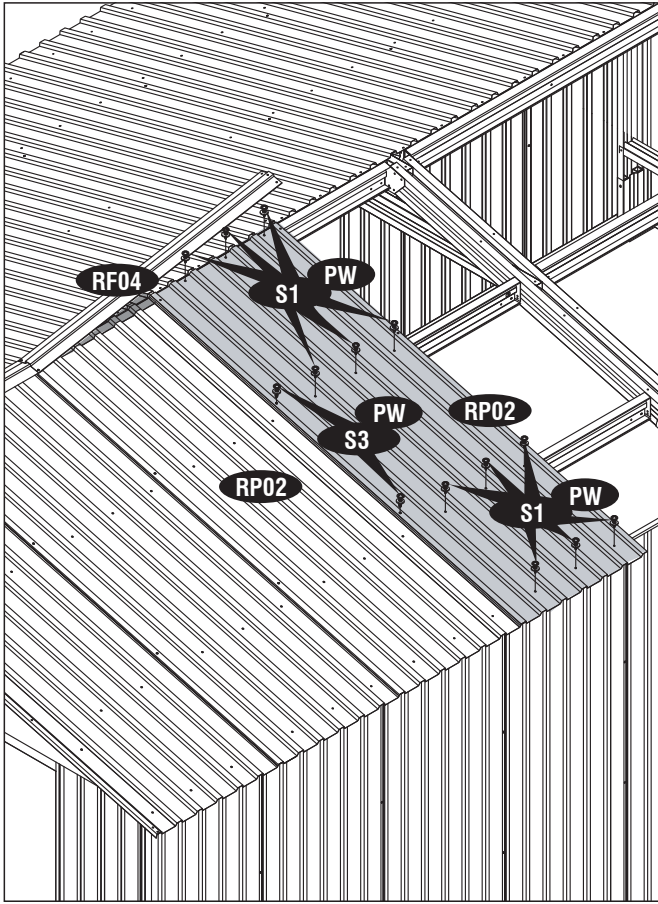
Step - 13



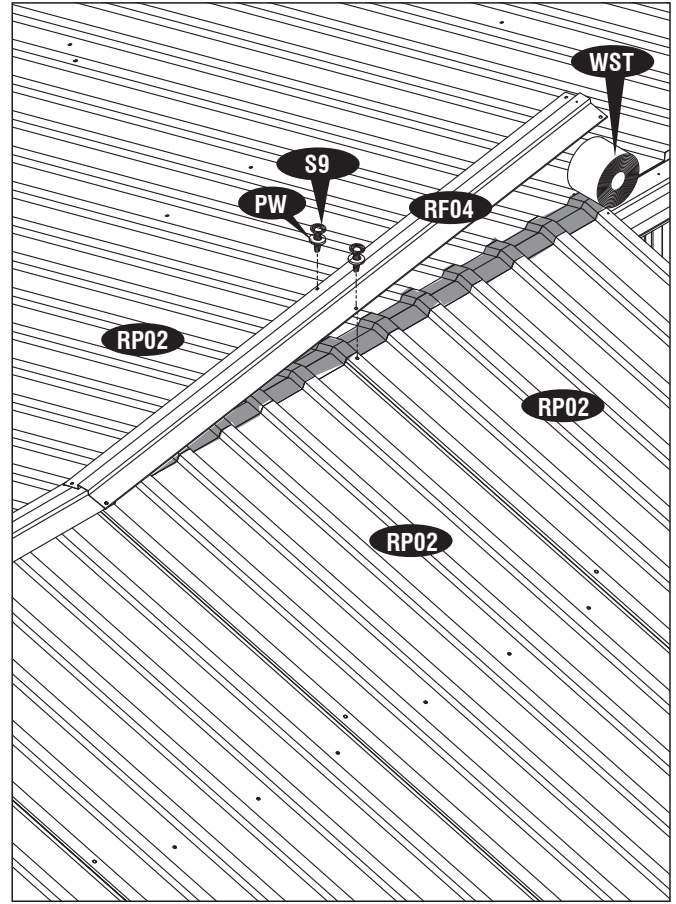
Step - 14



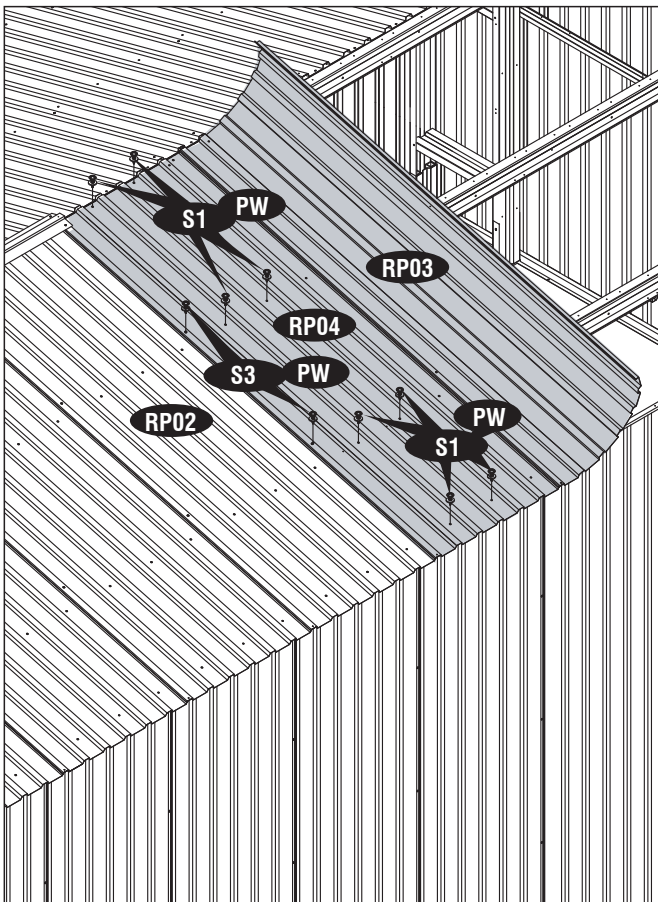
Step - 15



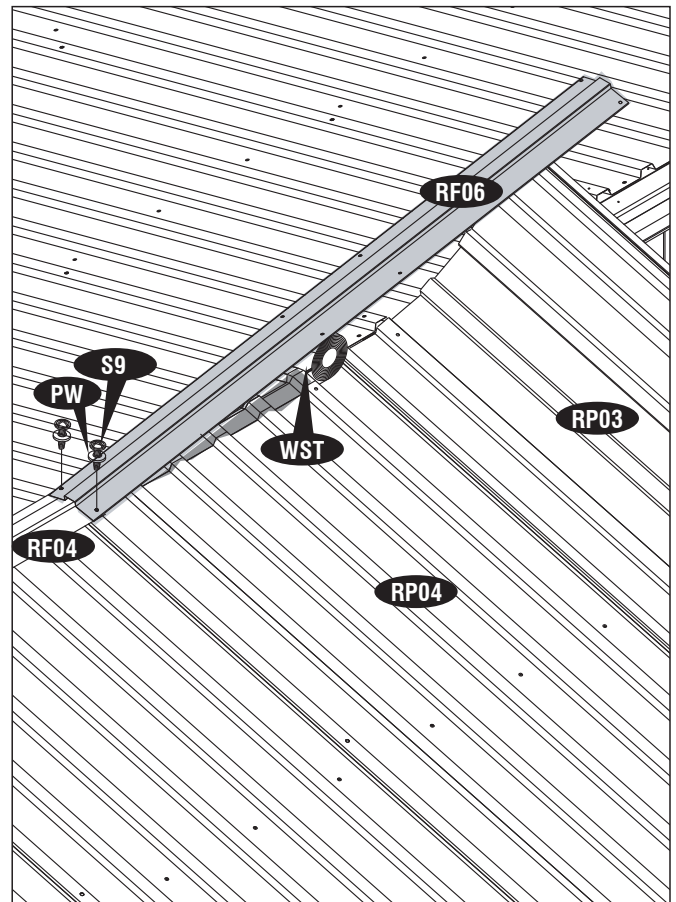
Step - 16



Step - 17

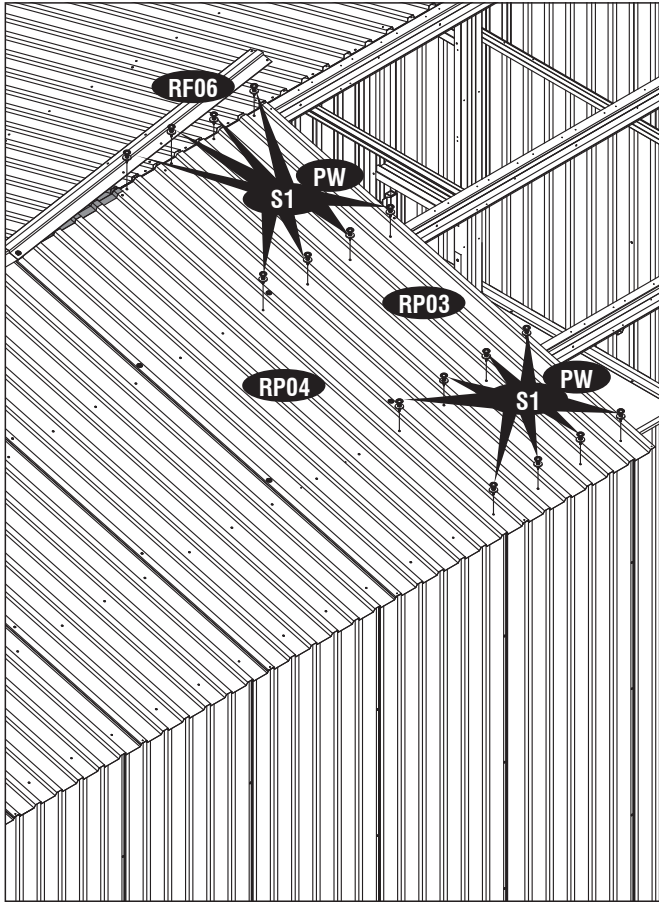


Step - 18

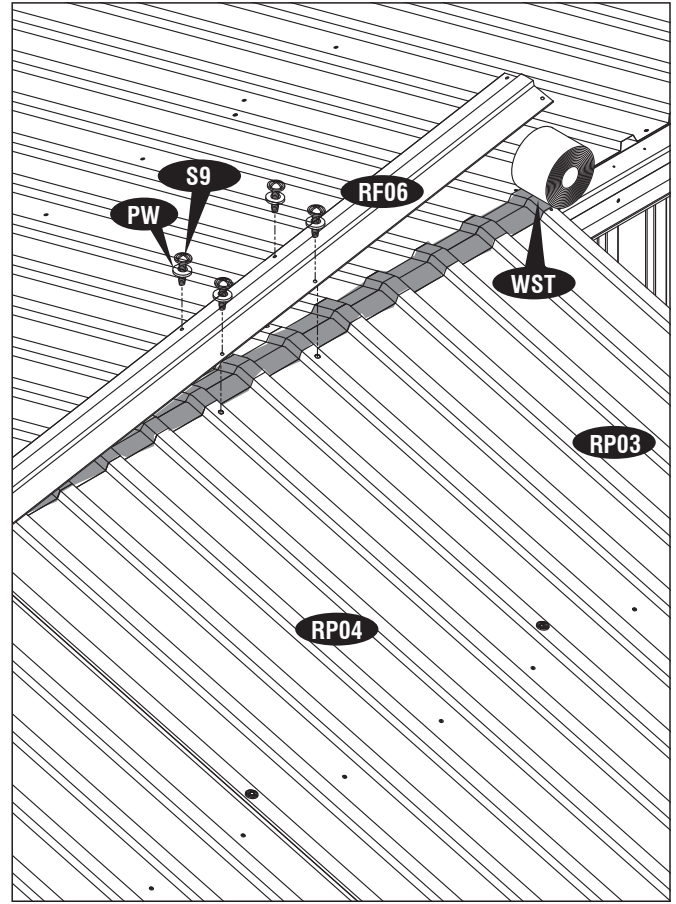


IMPORTANT: USE HAND GLOVES TO PREVENT INJURY.

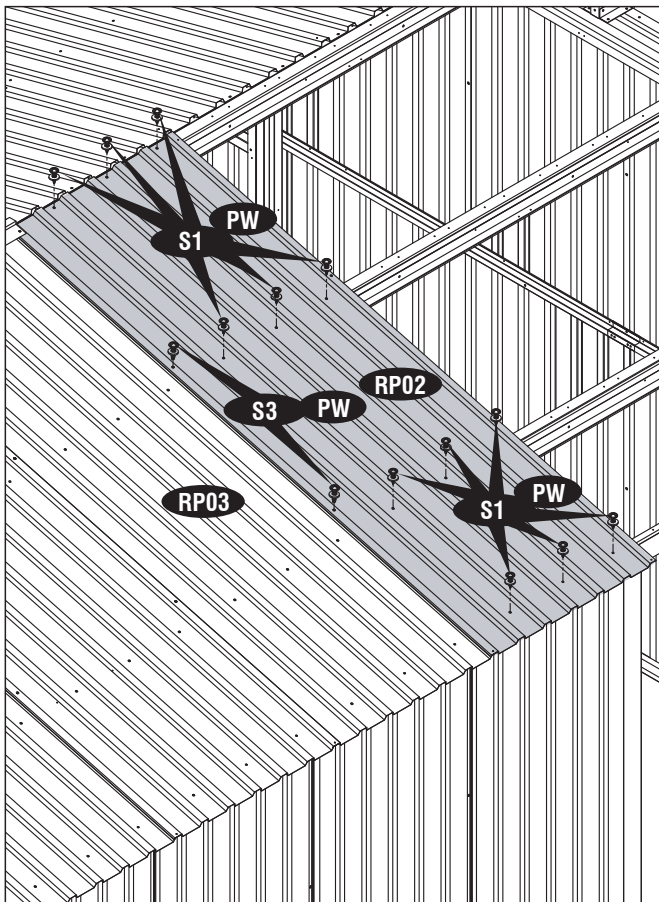
Step - 19



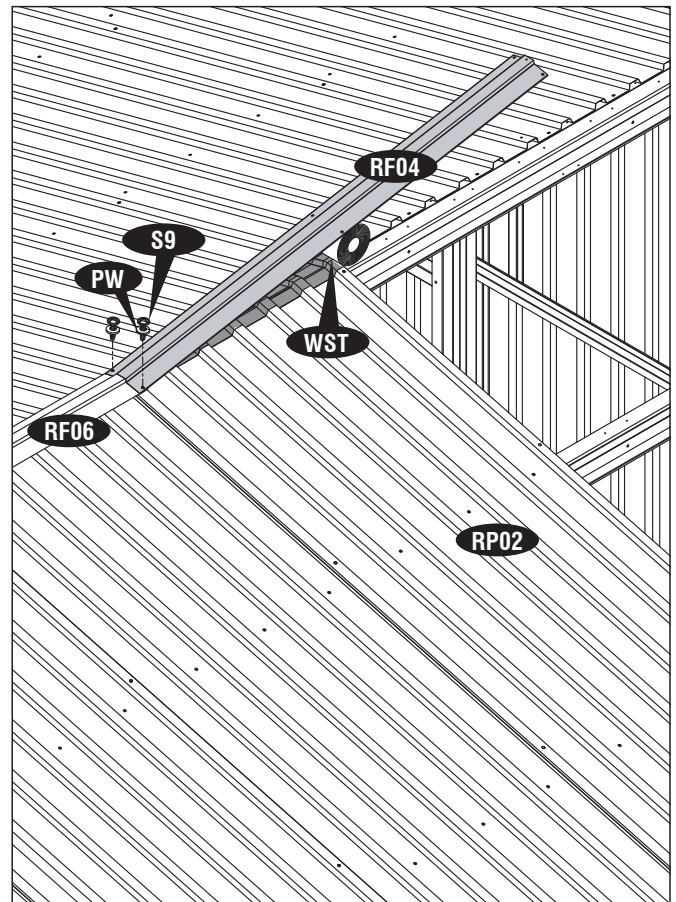
Step - 20



Step - 21

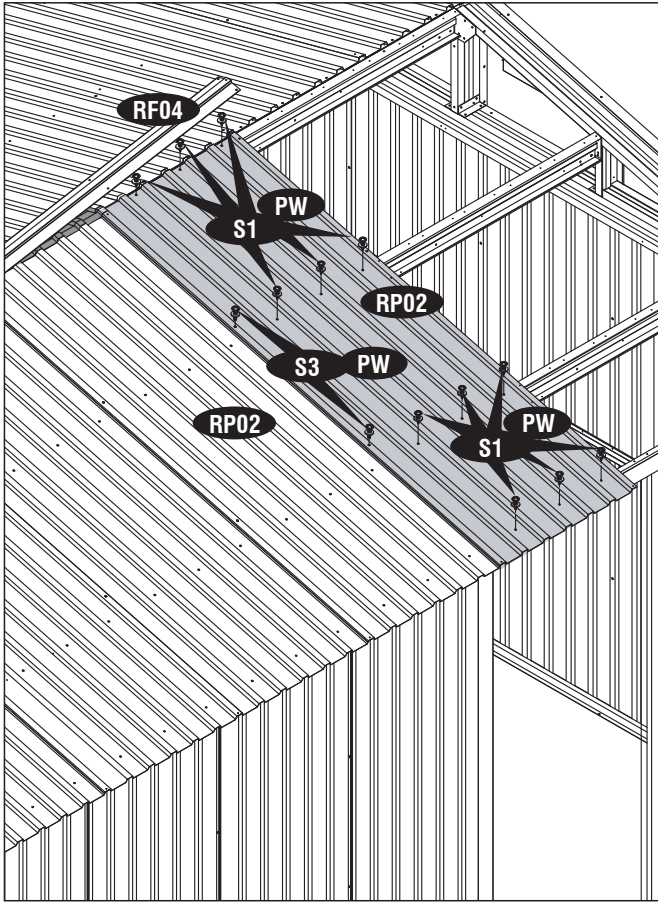


Step - 22

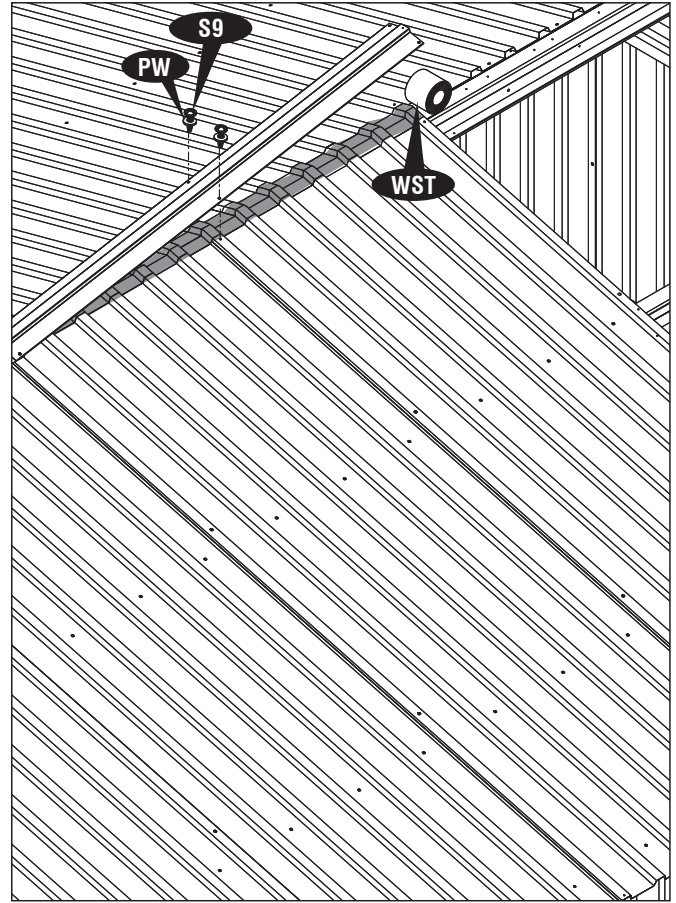


IMPORTANT: USE HAND GLOVES TO PREVENT INJURY.

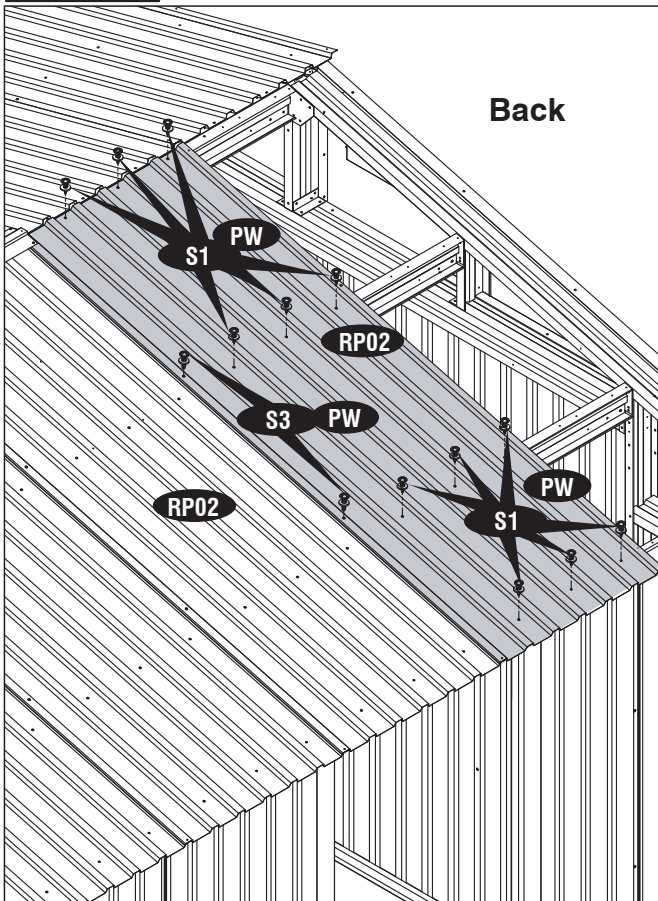
Step - 23



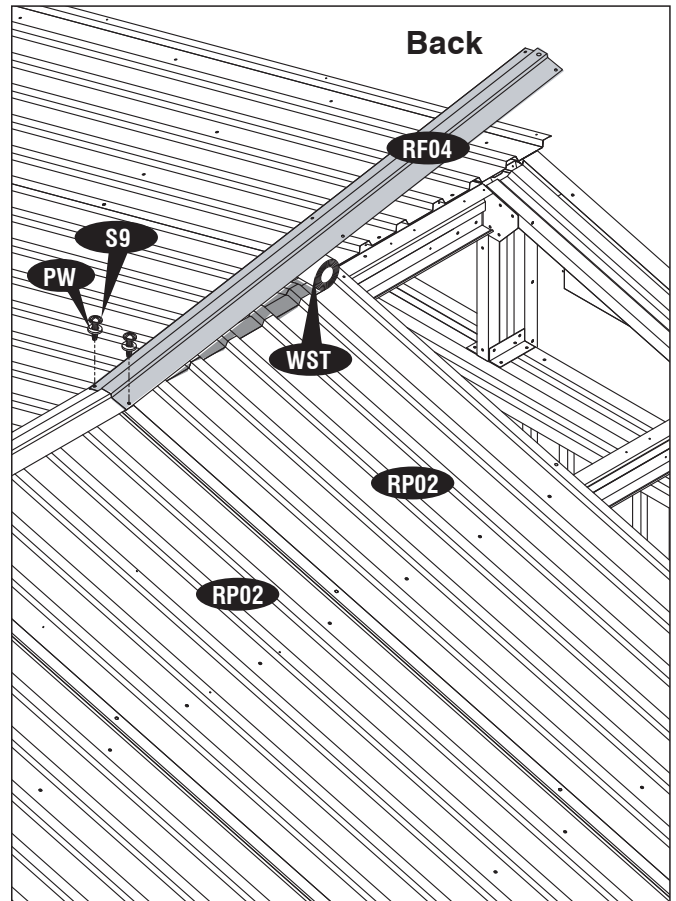
Step - 24



Step - 25

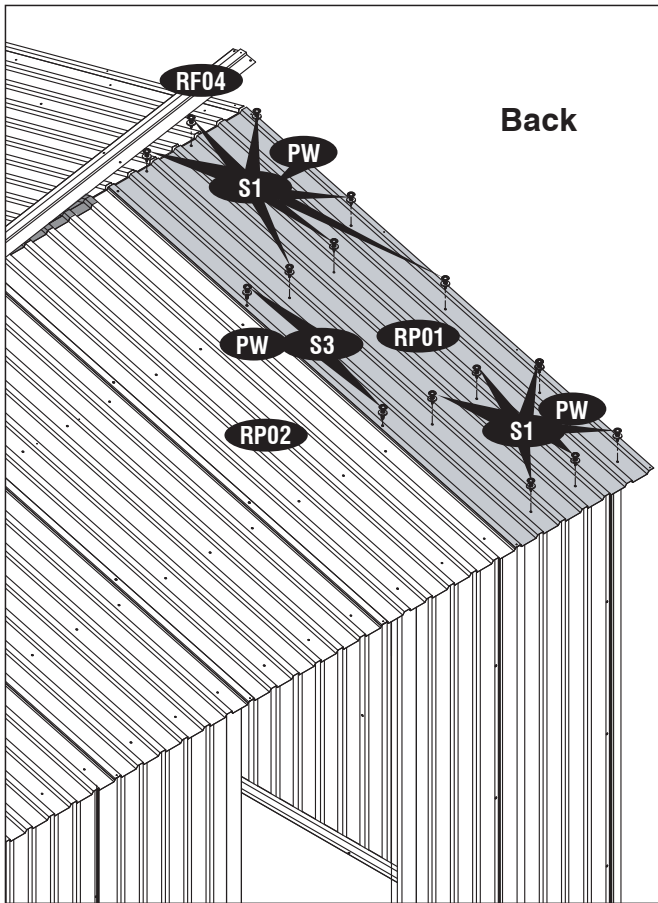


Step - 26

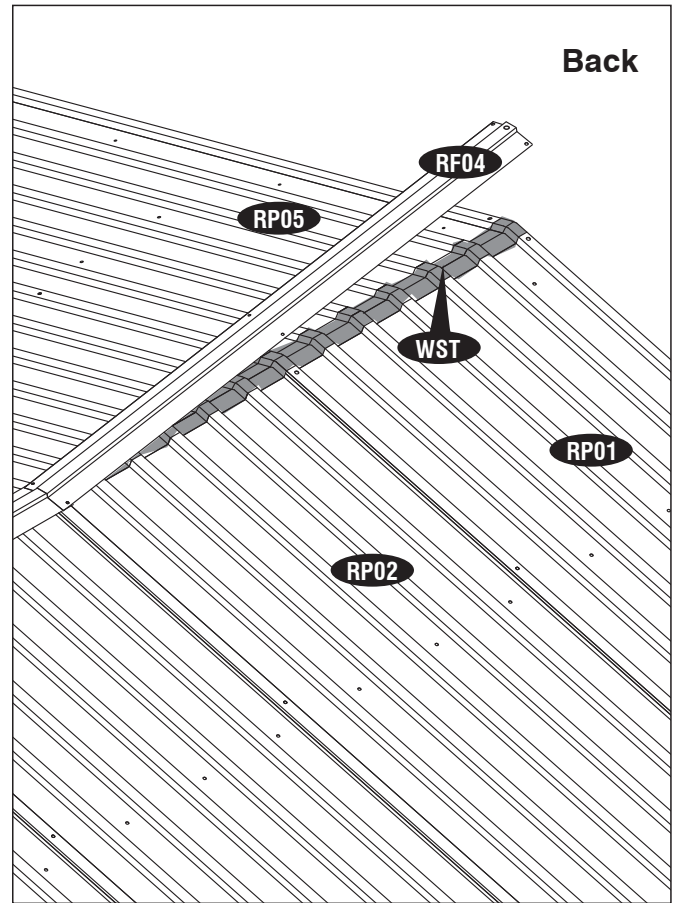


IMPORTANT: USE HAND GLOVES TO PREVENT INJURY.

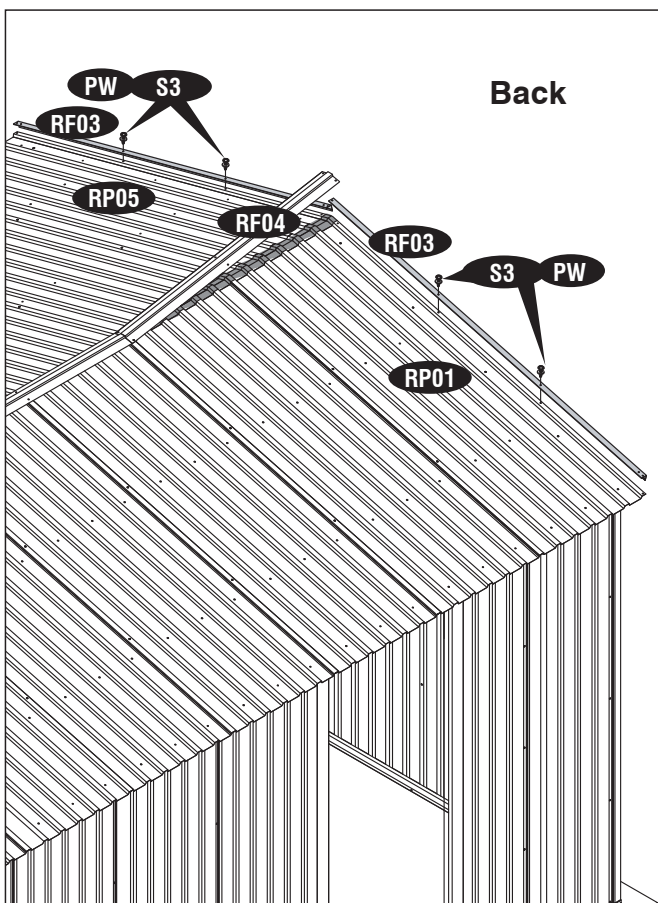
Step - 27



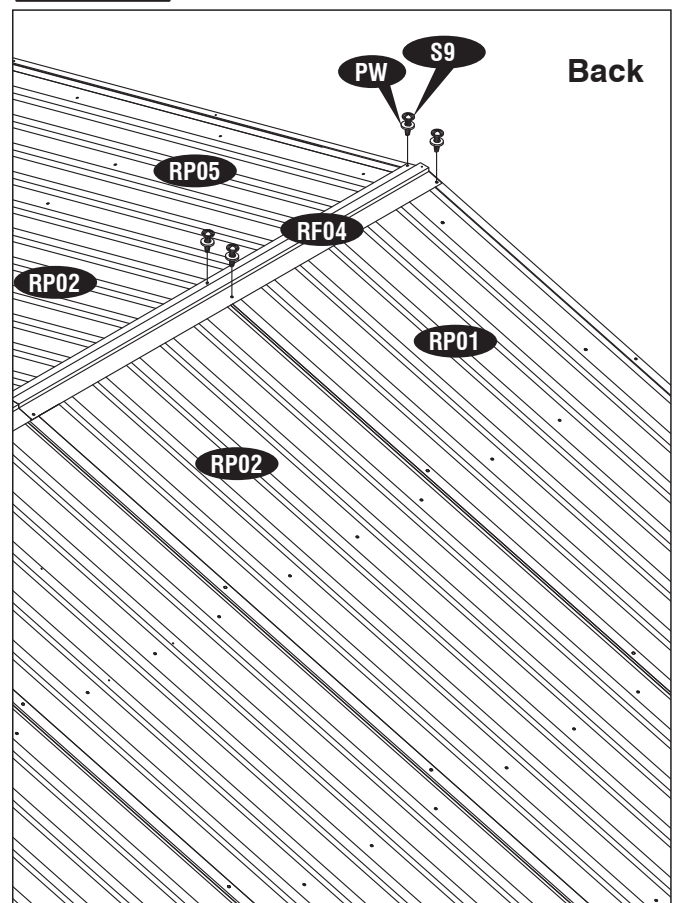
Step - 28



Step - 29

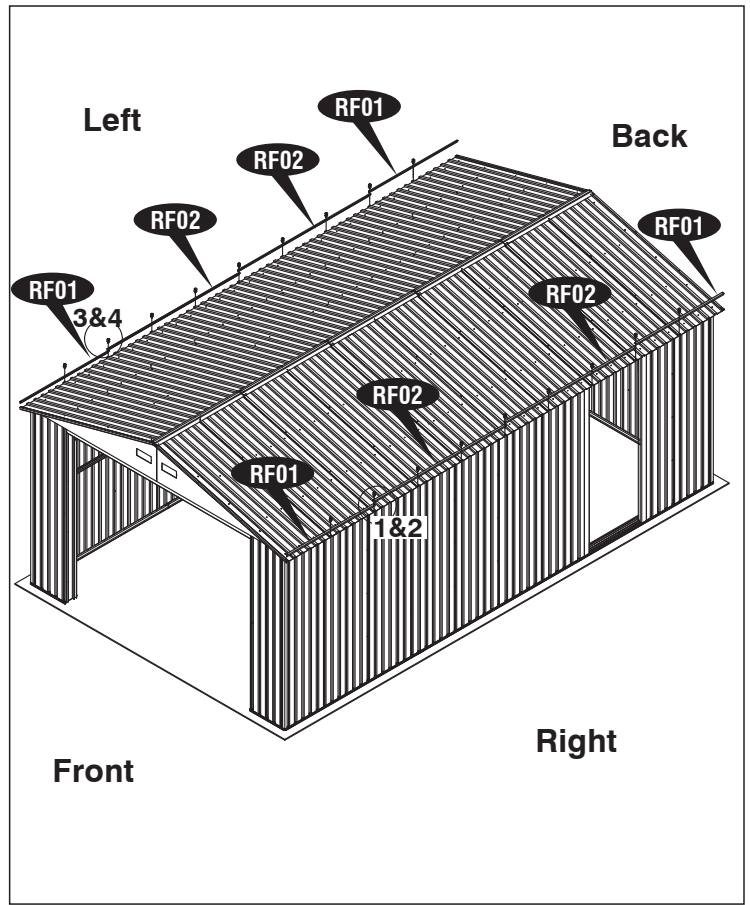
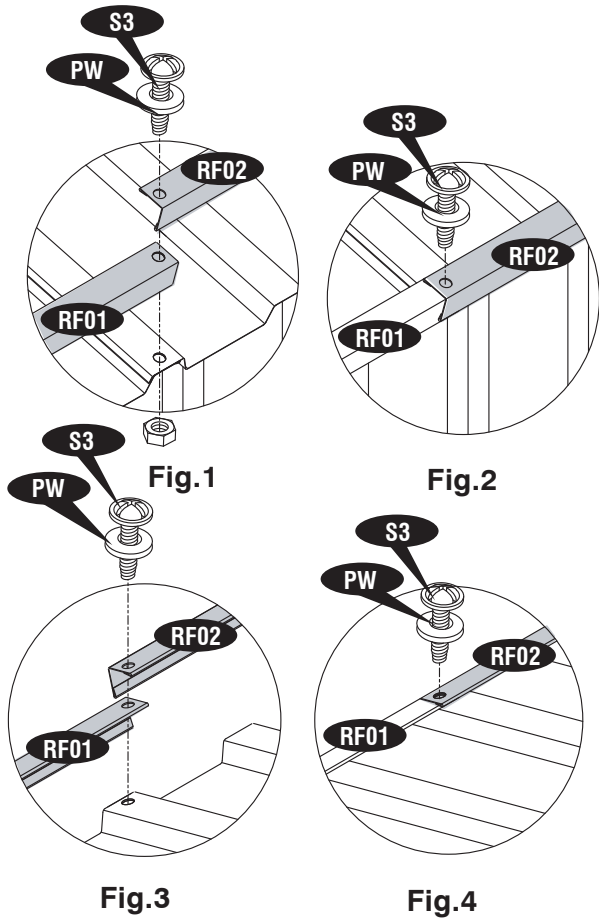


Step - 30

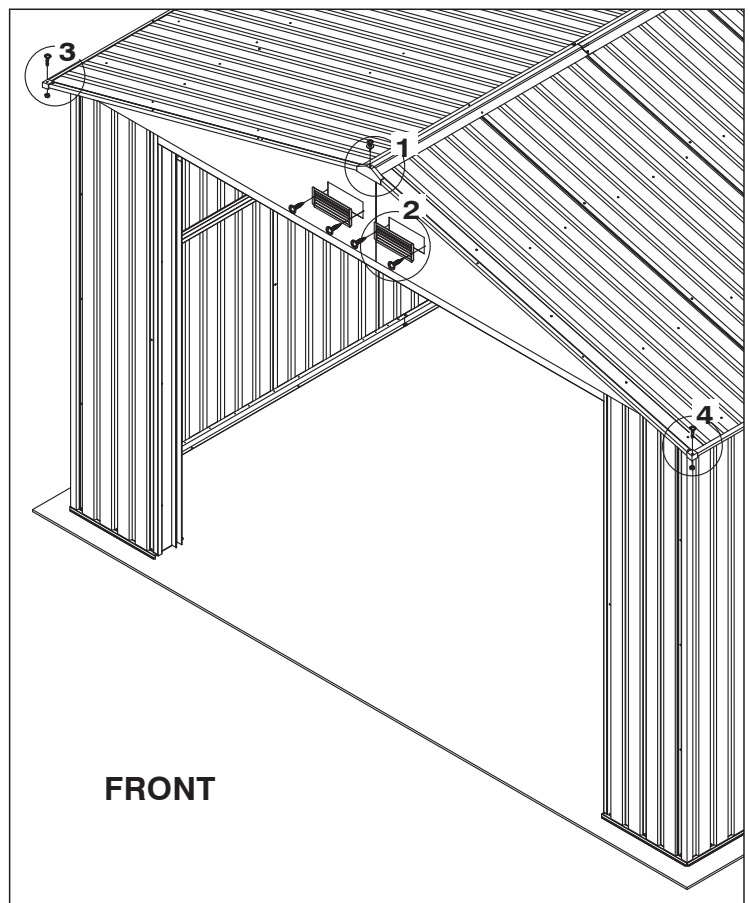
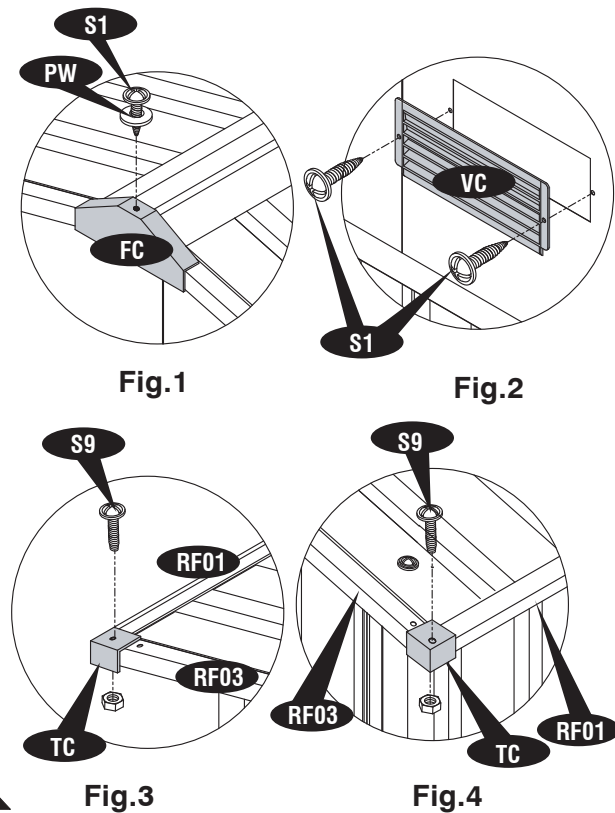


IMPORTANT: USE HAND GLOVES TO PREVENT INJURY.

Step - 31



Step - 32



IMPORTANT: USE HAND GLOVES TO PREVENT INJURY.

Step - 33

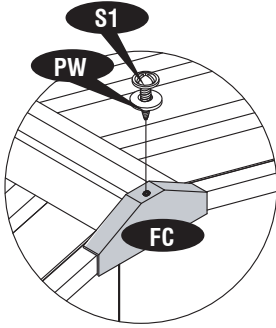


Fig.1

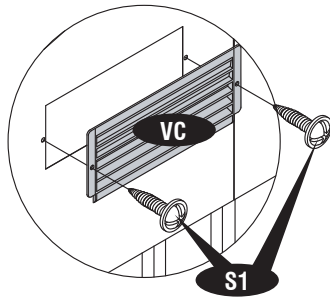


Fig.2

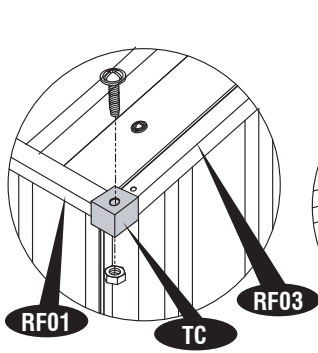


Fig.3

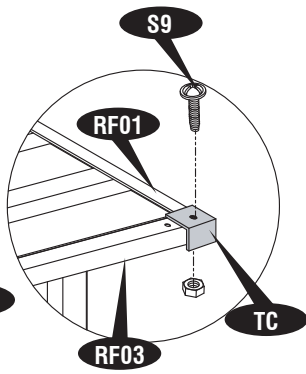
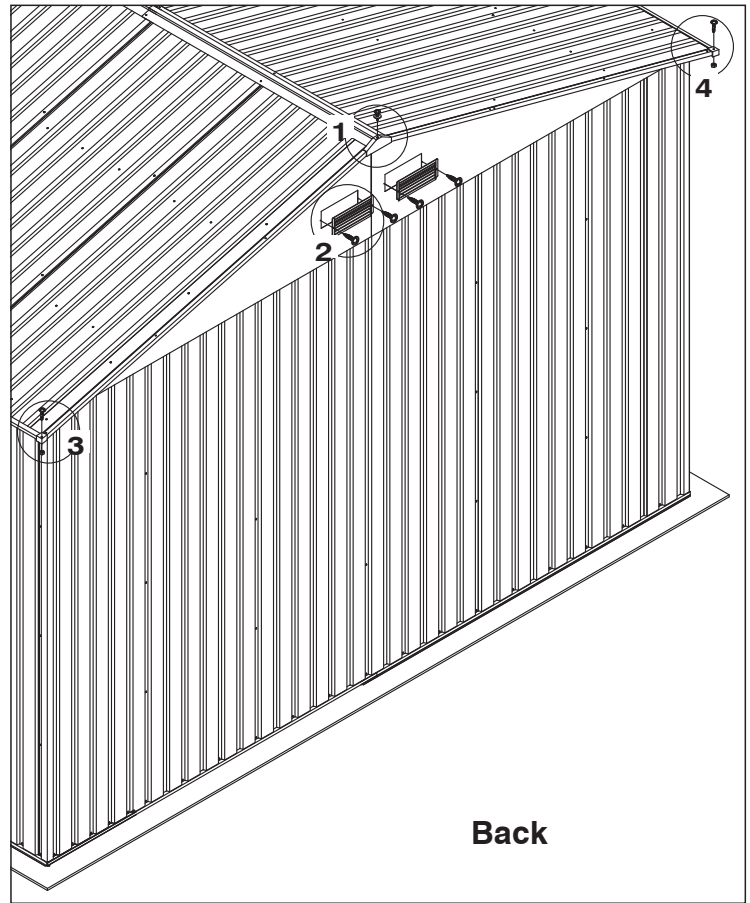


Fig.4



Back

Step - 34

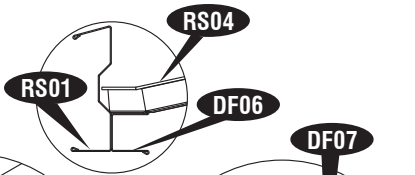


Fig.1

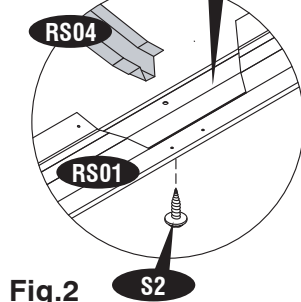


Fig.2

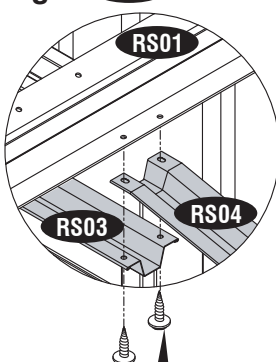


Fig.3

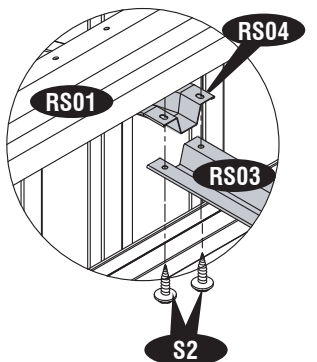
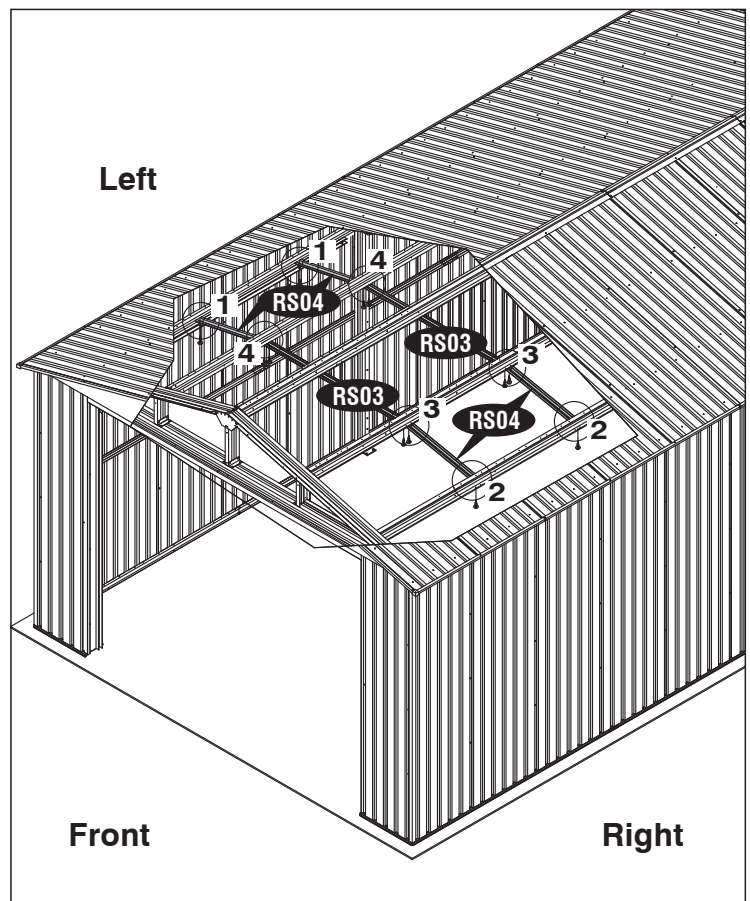


Fig.4



Left

Front

Right

Step - 35

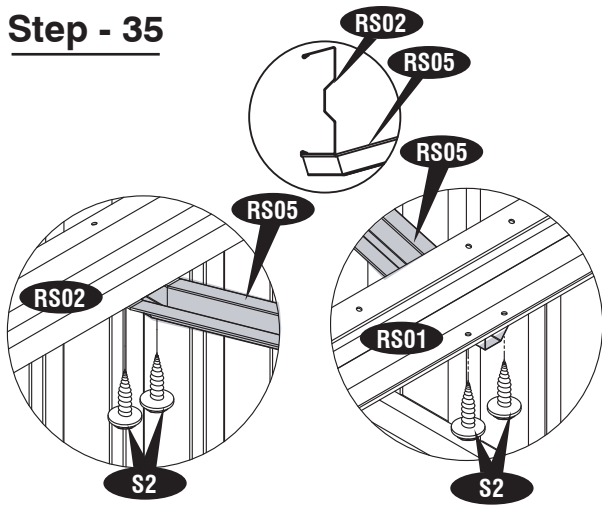


Fig.1

Fig.2

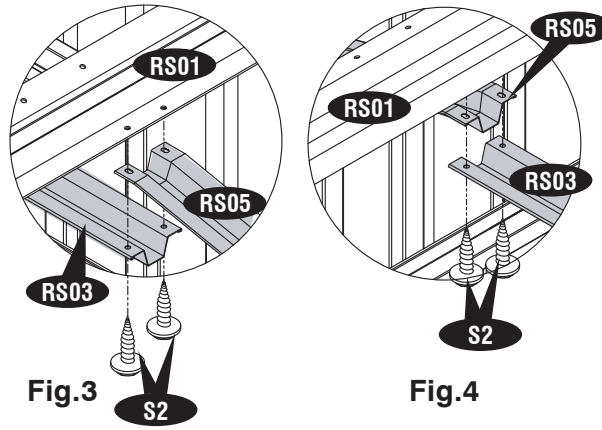
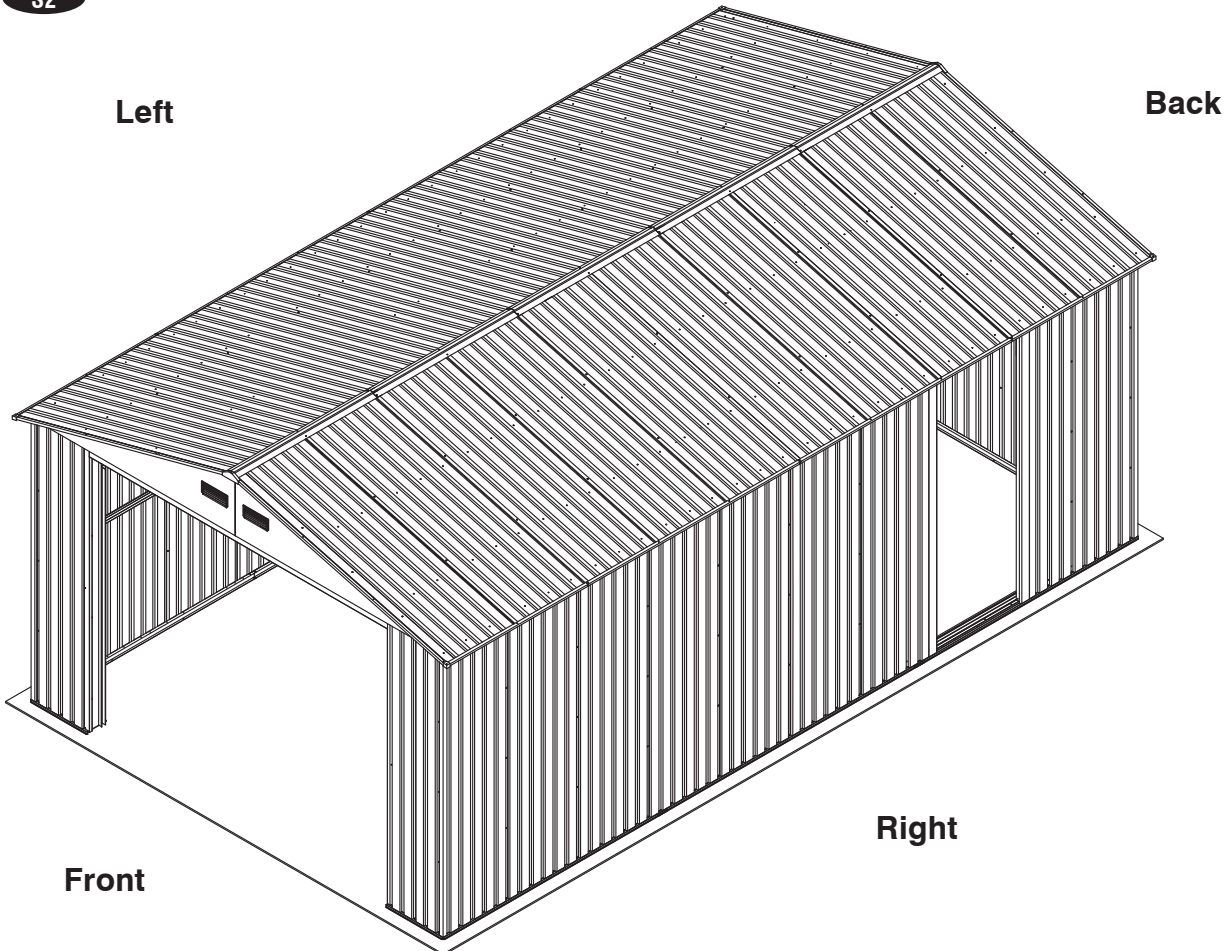
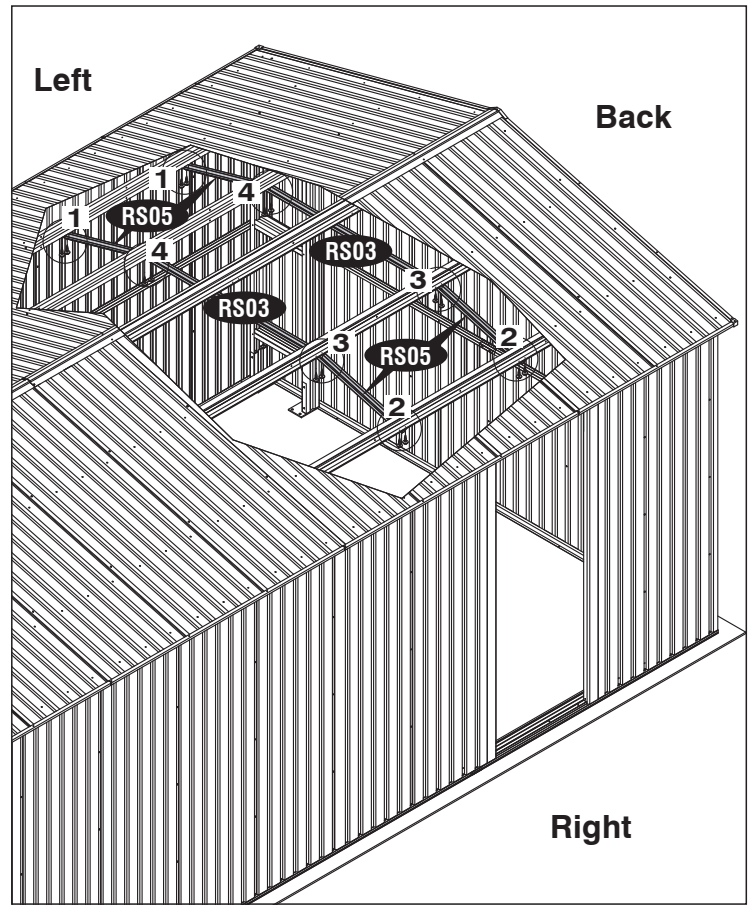


Fig.3

Fig.4



IMPORTANT: USE HAND GLOVES TO PREVENT INJURY.

G. Assembly and Installations of Front & Side Door

Parts Needed:

Code	Qty.	Code	Qty.
SP01	2	BS	3
SP02	1	TS	2
SP03	1	DH	3
DS01	1	FDH	2
DS02	1	CW	1
DS03	4	CU	2
DP01	1	STC	5.1mtr
SD06	3	S1	18
BS15	2	S2	4
BS16	2	S3	66
BS17	1	S9	6
WBA	10	PW	63
DF08	1	PC	69
DF09	1	EDP1 (4.28mtr)	2
DF10	1	EDP2 (2.04 mtr)	2
		EDP3 (2.14 mtr)	2

Step - 1

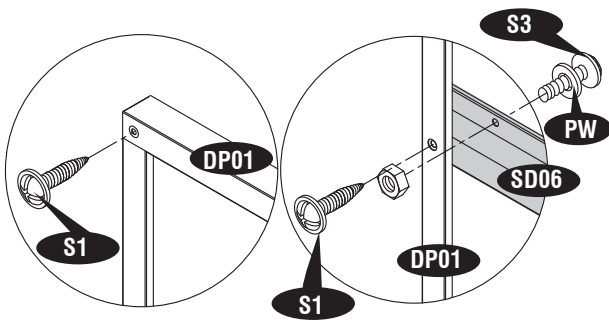


Fig.1

Fig.2

Step - 2

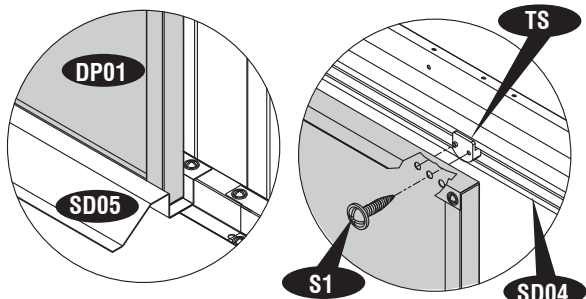
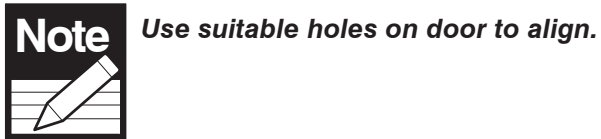


Fig.1

Fig.2

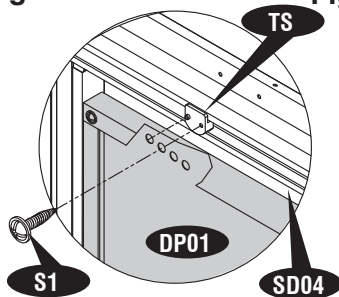
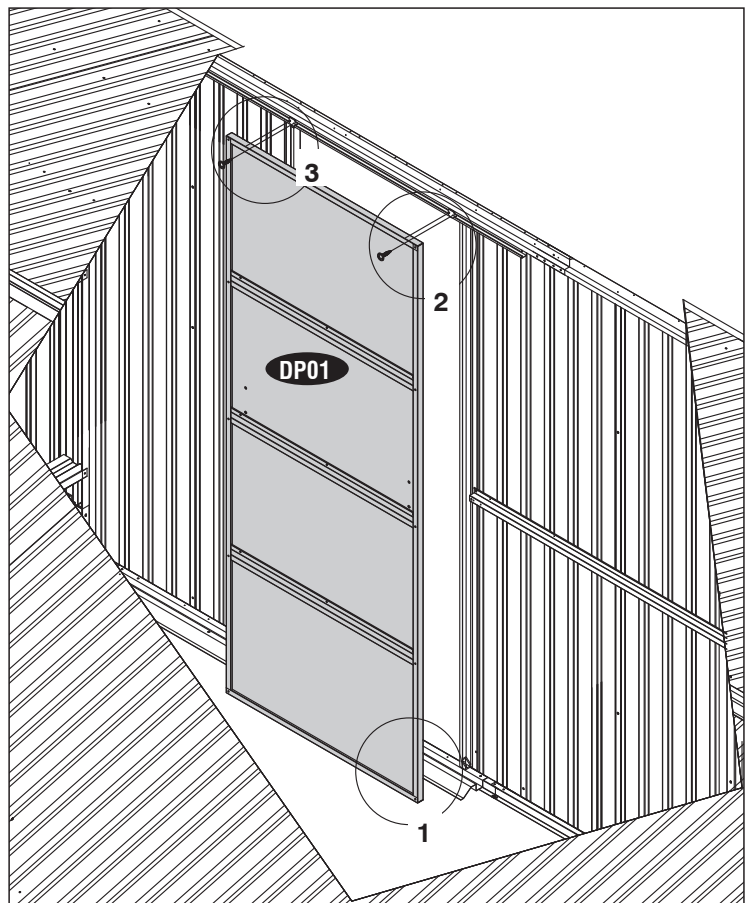
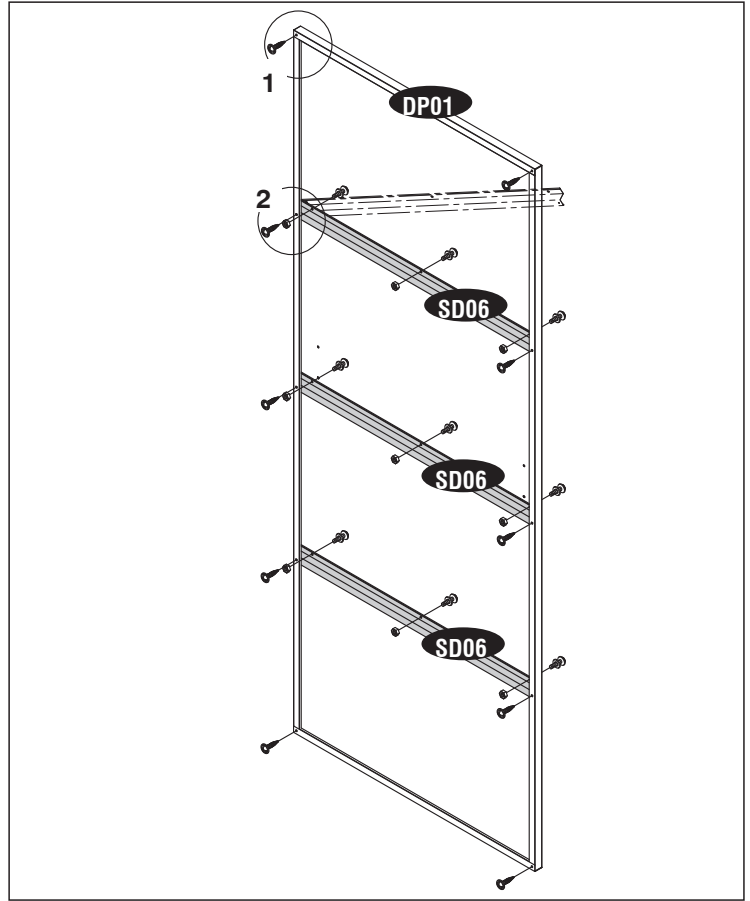


Fig.3



Step - 3

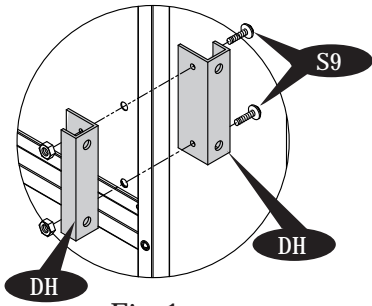


Fig.1

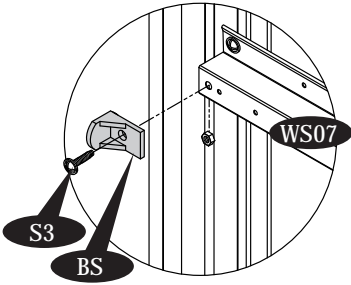
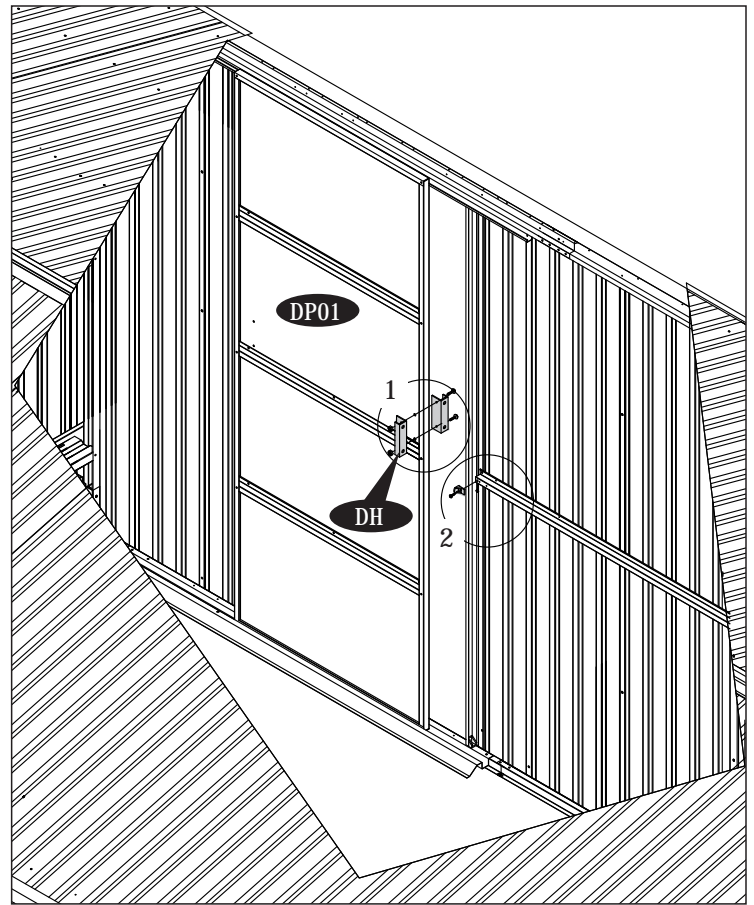


Fig.2



Step - 4

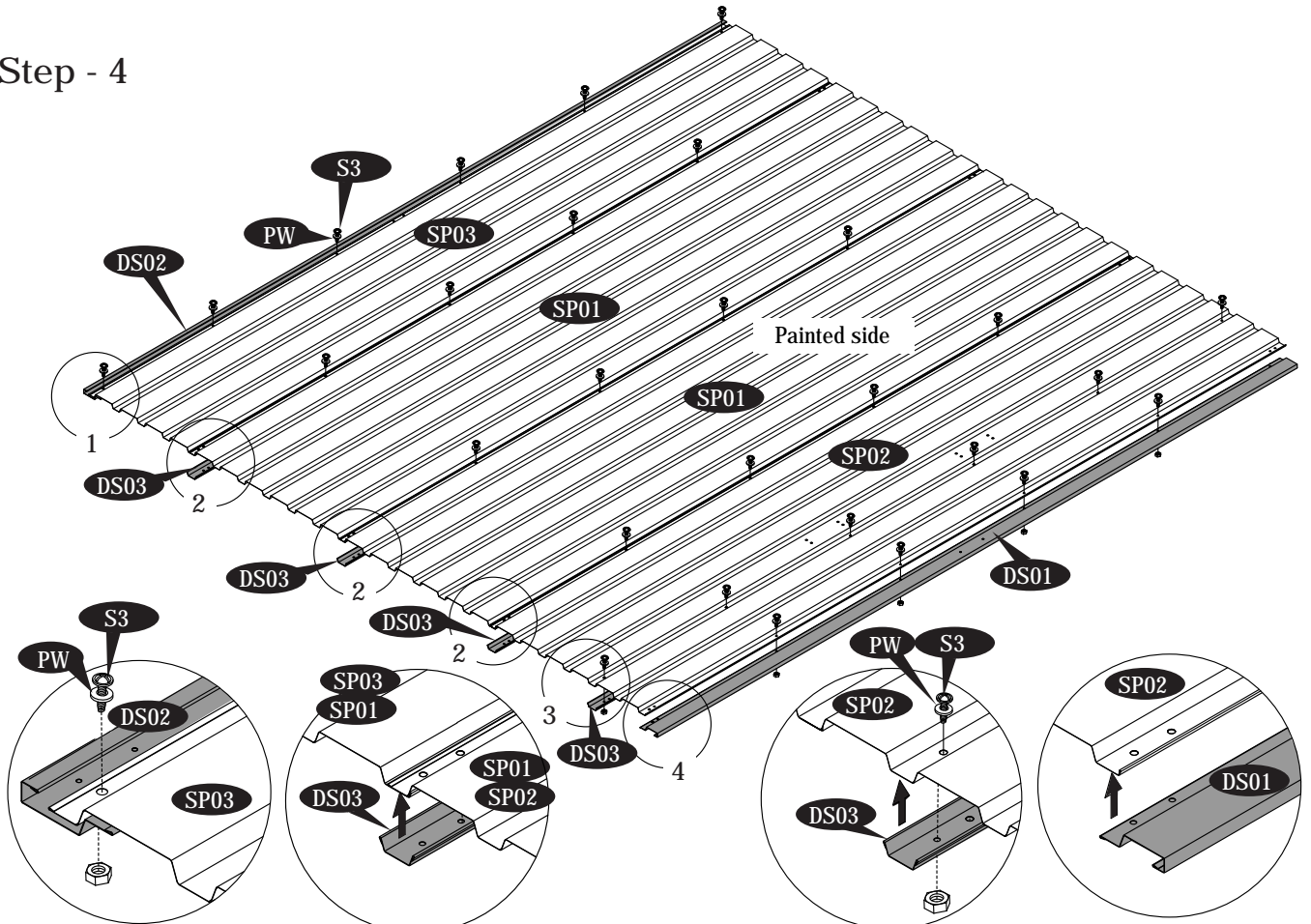


Fig.1

Fig.2

Fig.3

Fig.4

IMPORTANT: USE HAND GLOVES TO PREVENT INJURY.

Step - 5

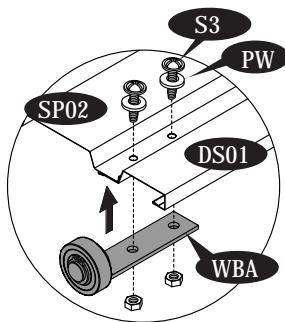
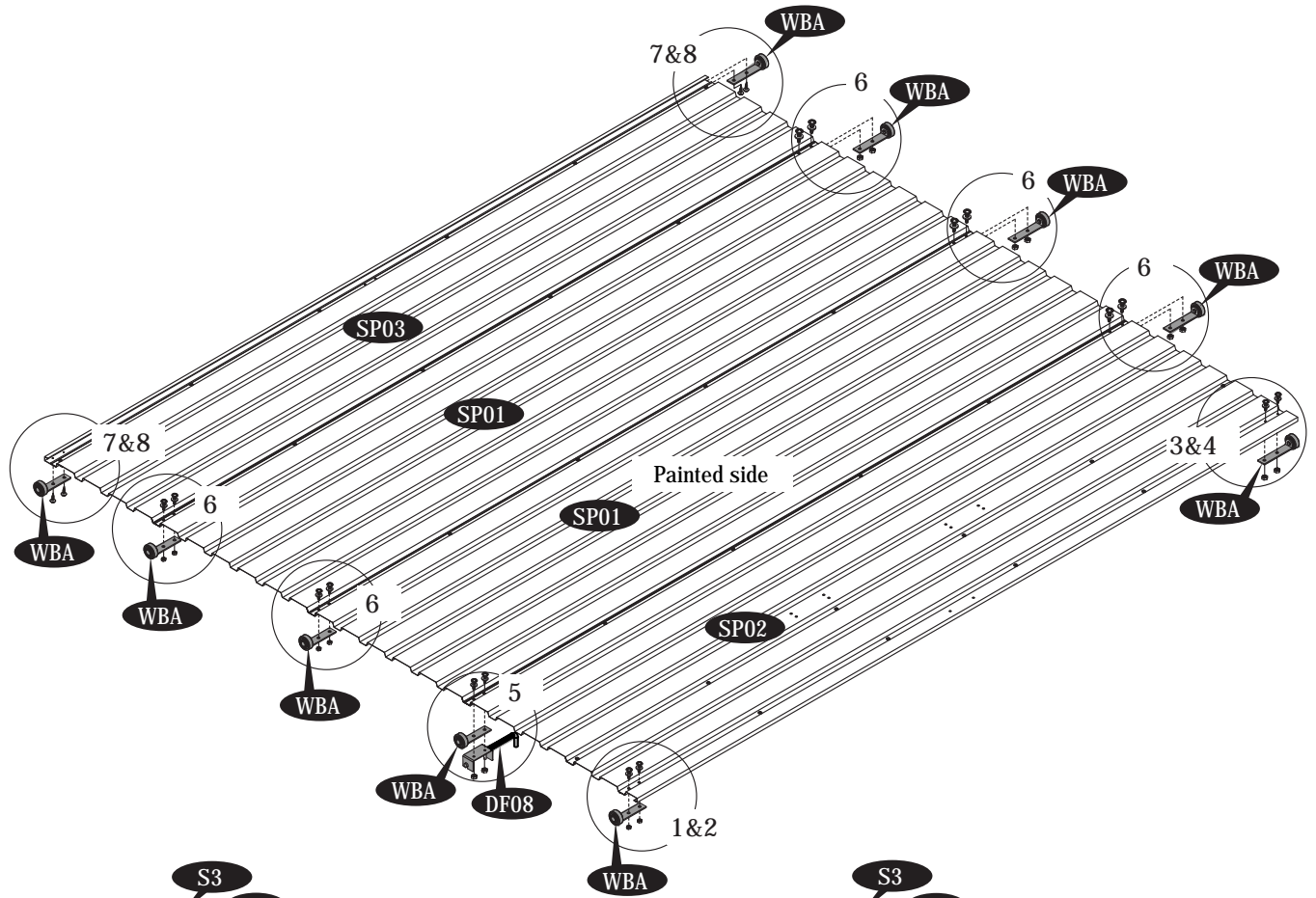


Fig.1

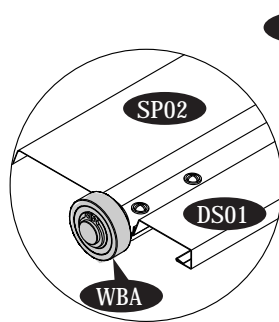


Fig.2

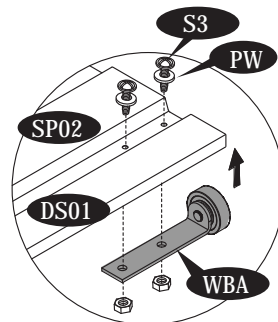


Fig.3

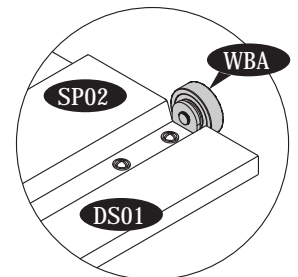


Fig.4

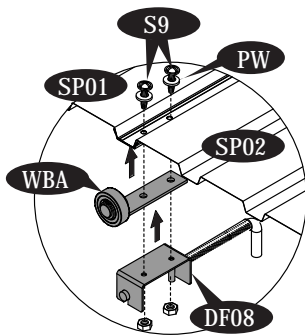


Fig.5

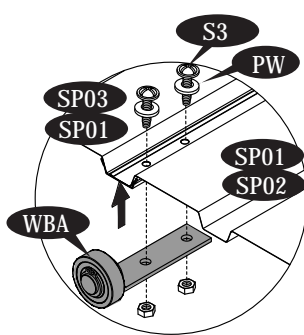


Fig.6

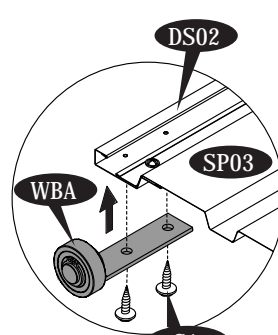


Fig.7

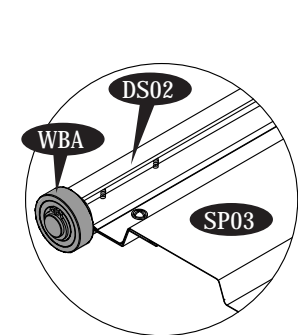
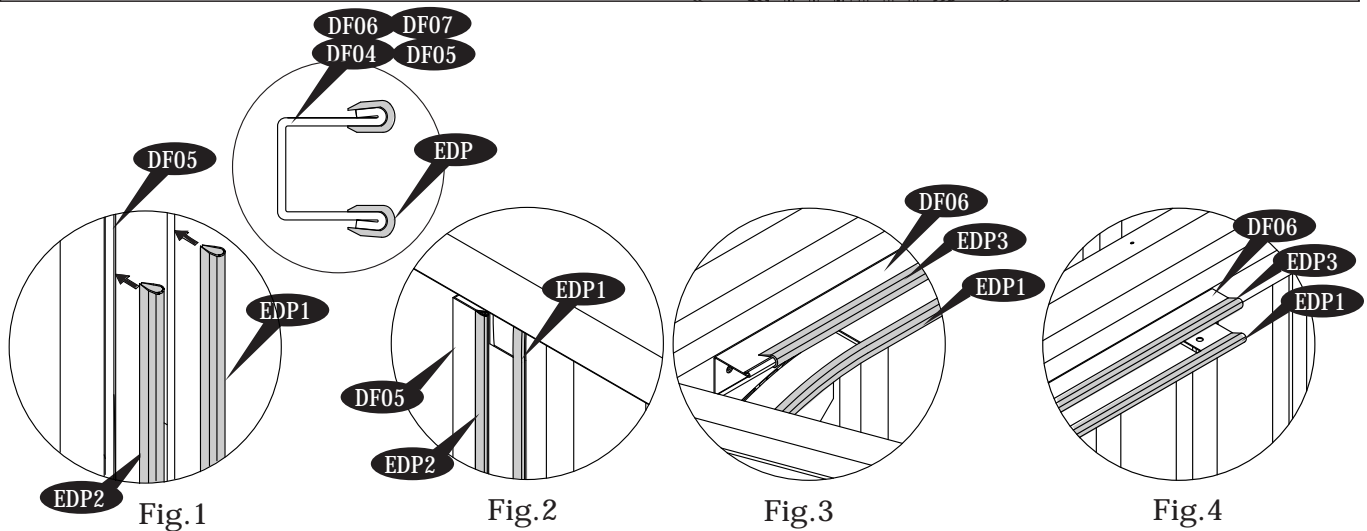
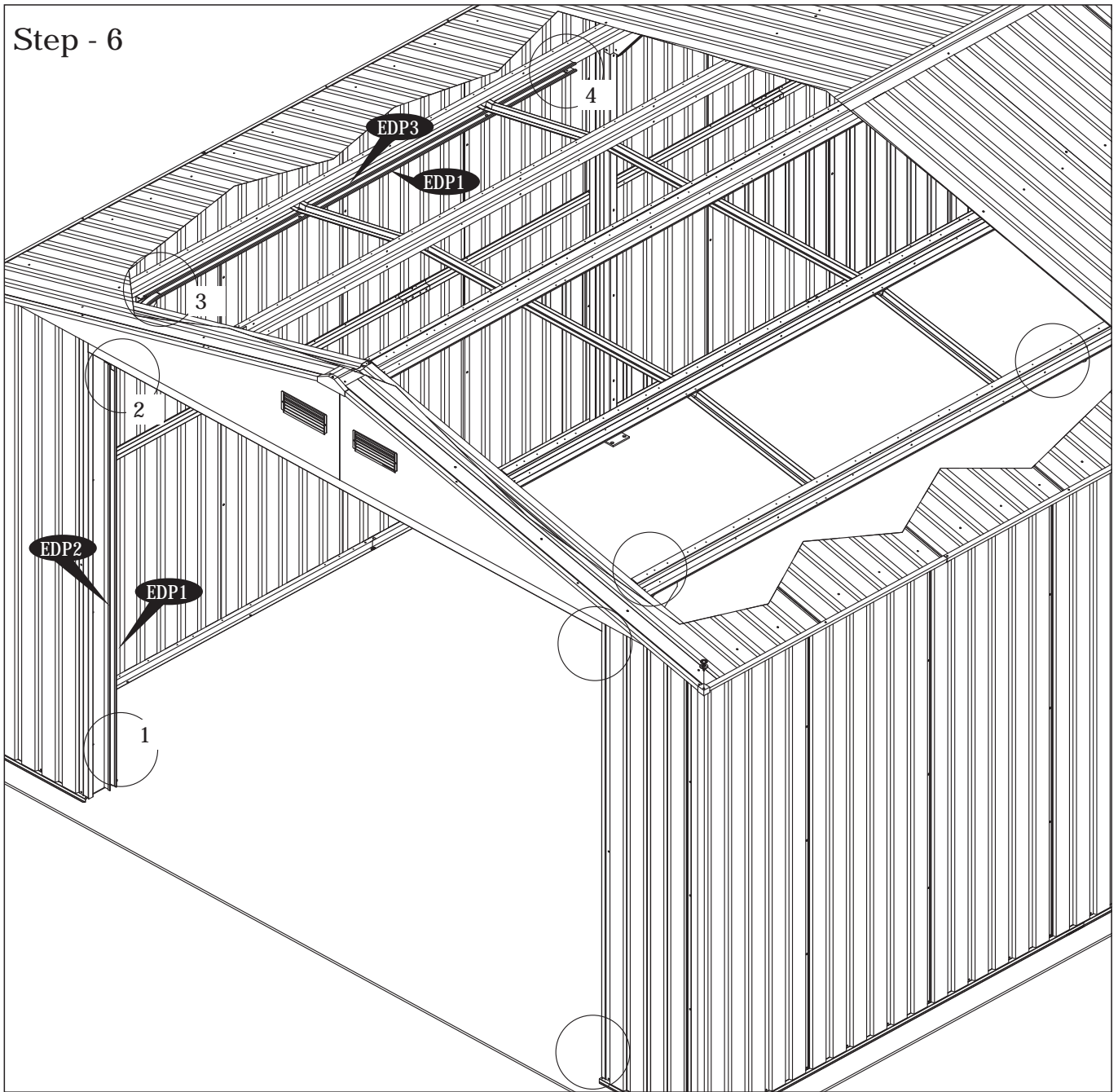


Fig.8

Step - 6



IMPORTANT: USE HAND GLOVES TO PREVENT INJURY.

Step - 7

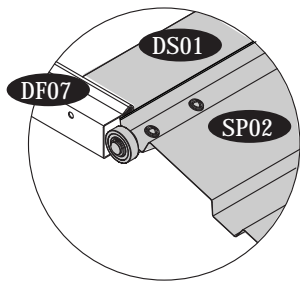


Fig. 1

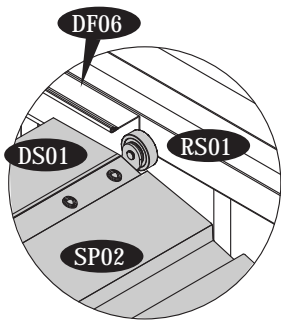
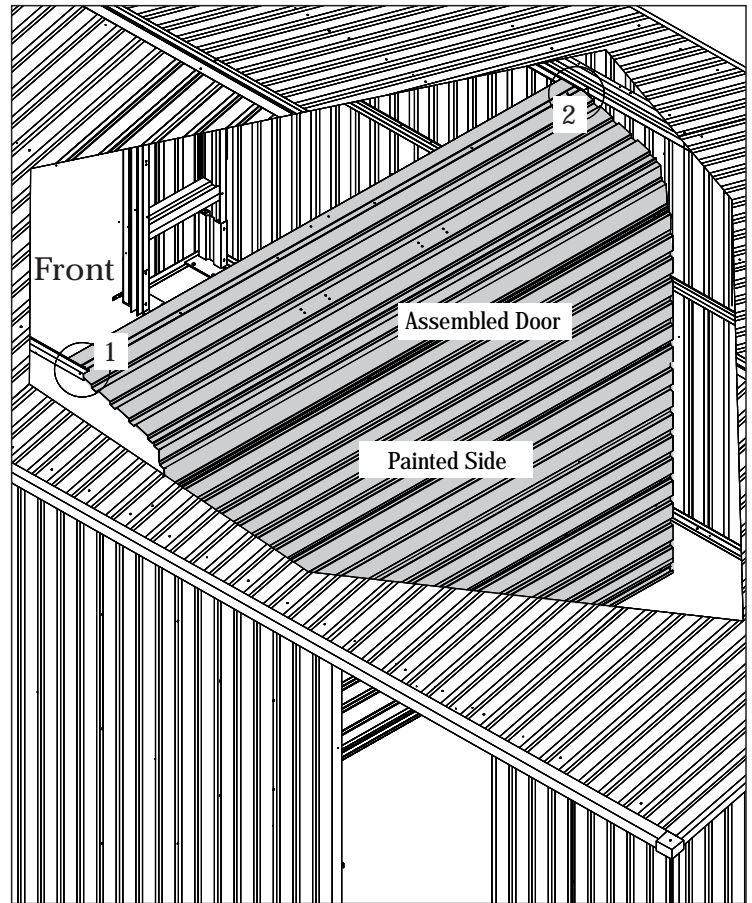


Fig. 2



Step - 8

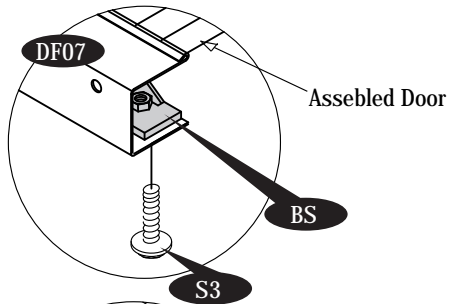


Fig. 1

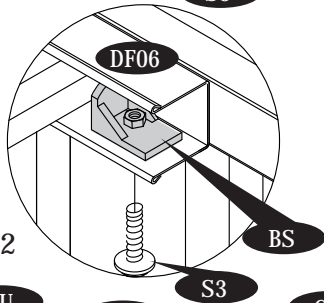


Fig. 2

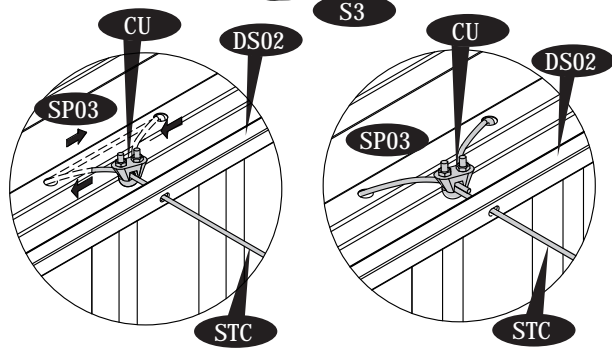
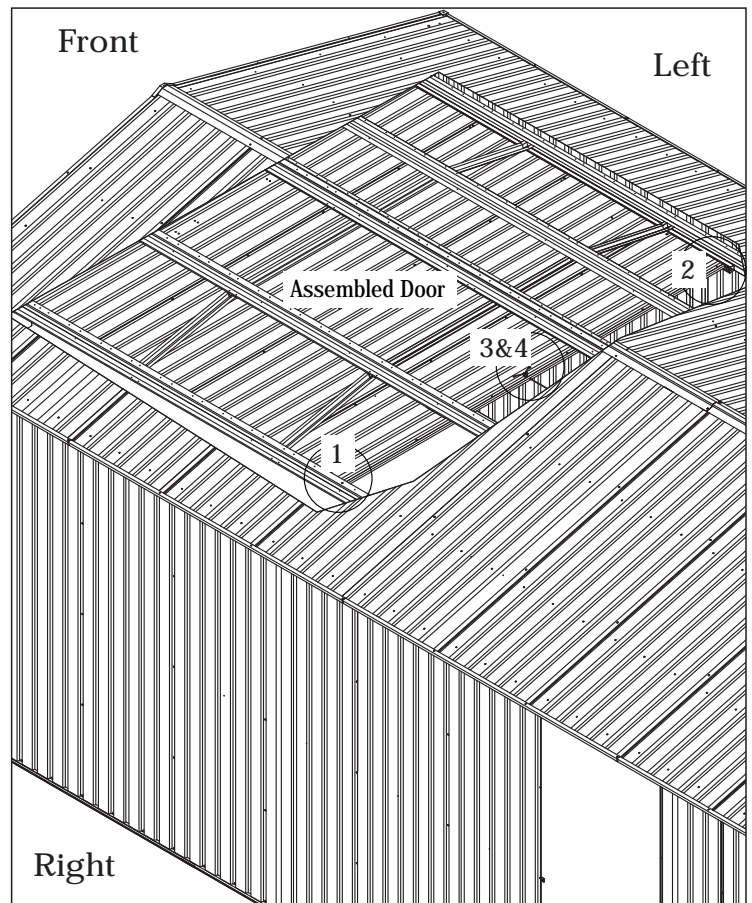


Fig. 3

Fig. 4



IMPORTANT: USE HAND GLOVES TO PREVENT INJURY.

Step -9

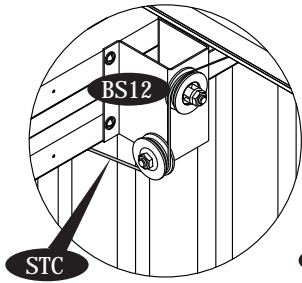


Fig.1

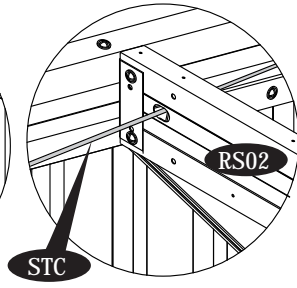


Fig.2

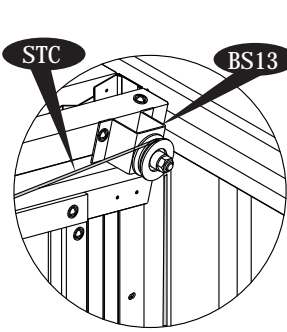


Fig.3

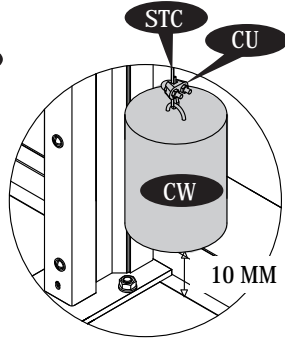
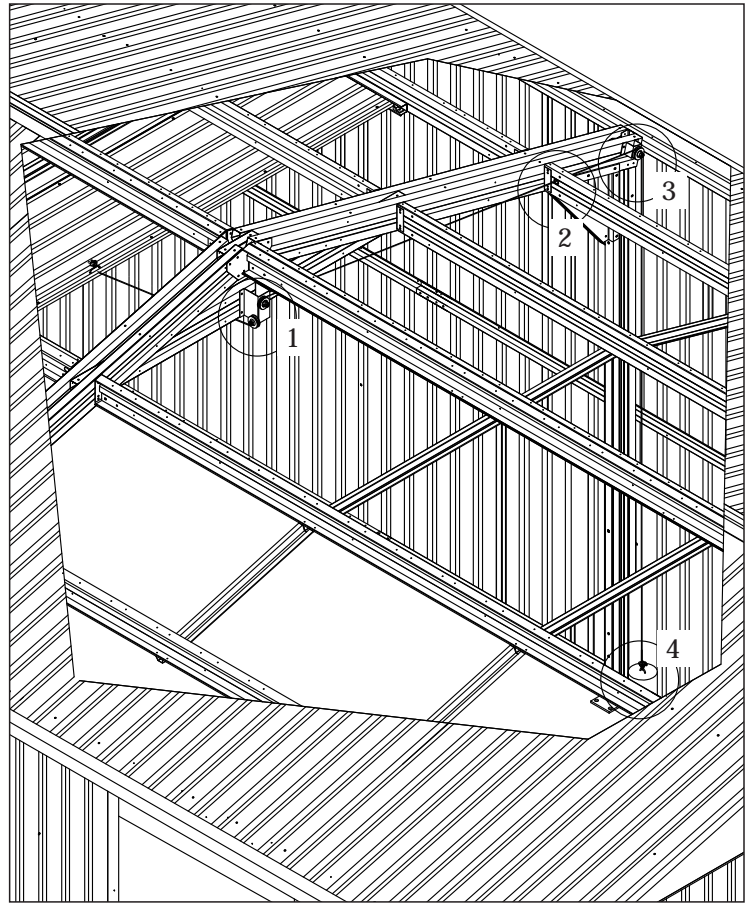


Fig.4



Step - 10

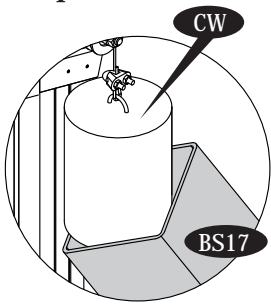


Fig.1

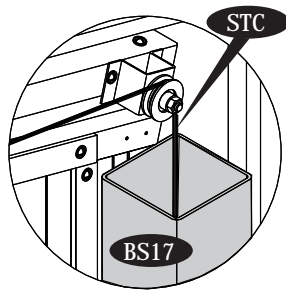


Fig.2

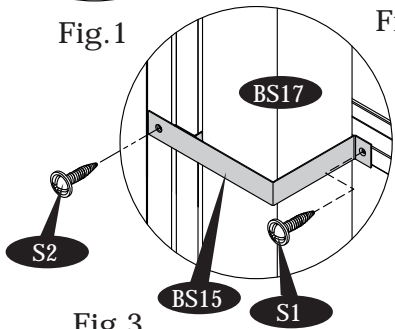


Fig.3

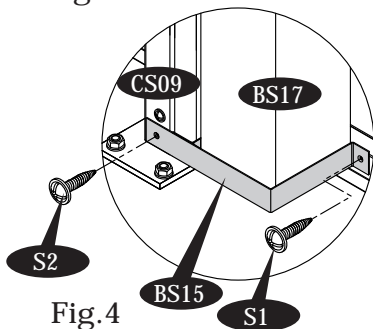
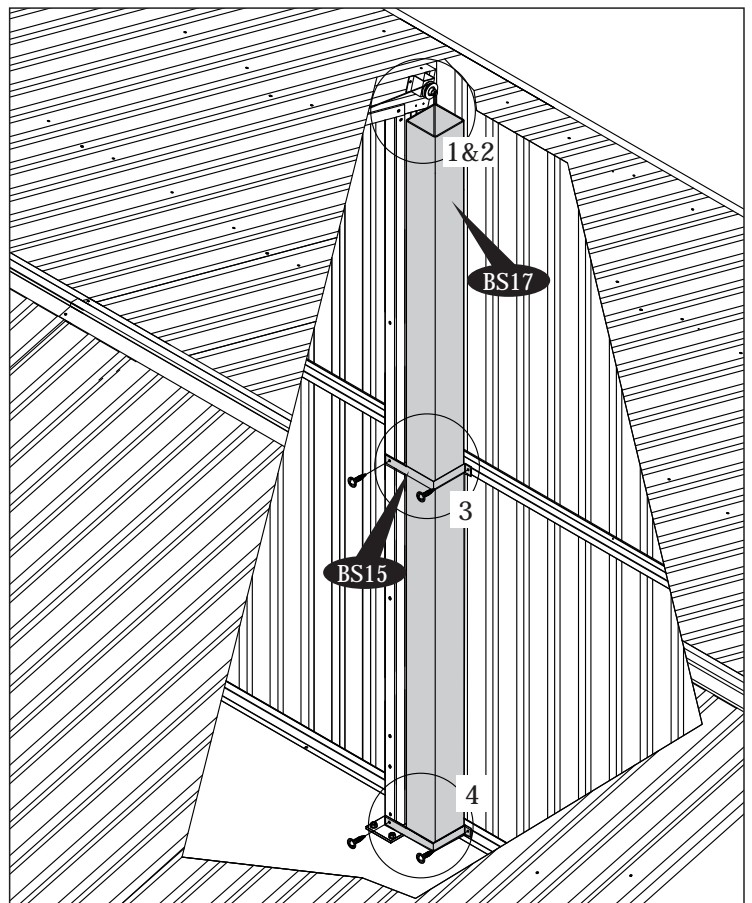


Fig.4



Step - 11

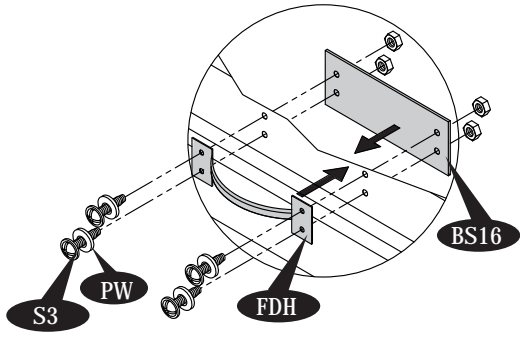


Fig.1

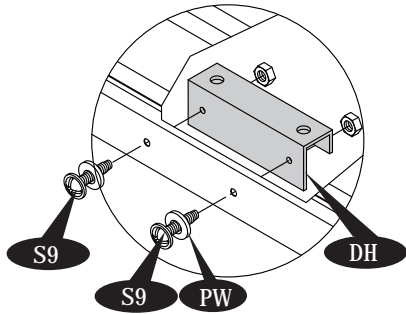


Fig.2

Step - 12

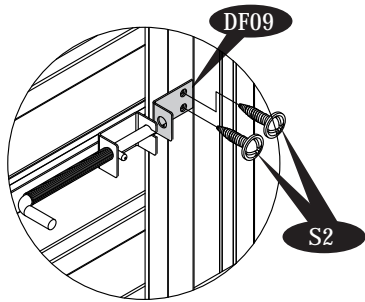
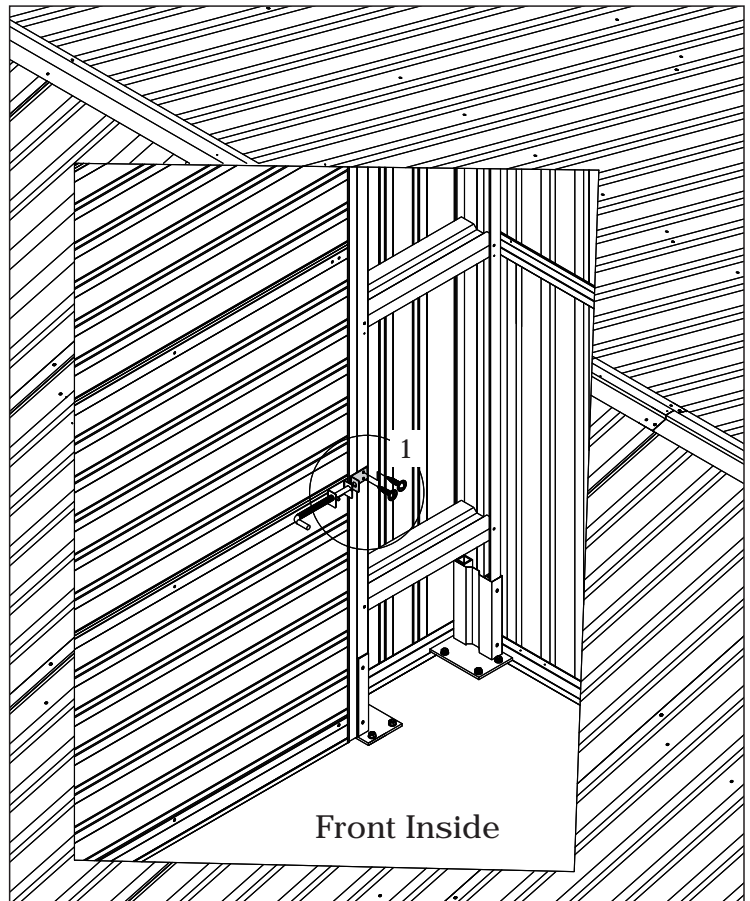
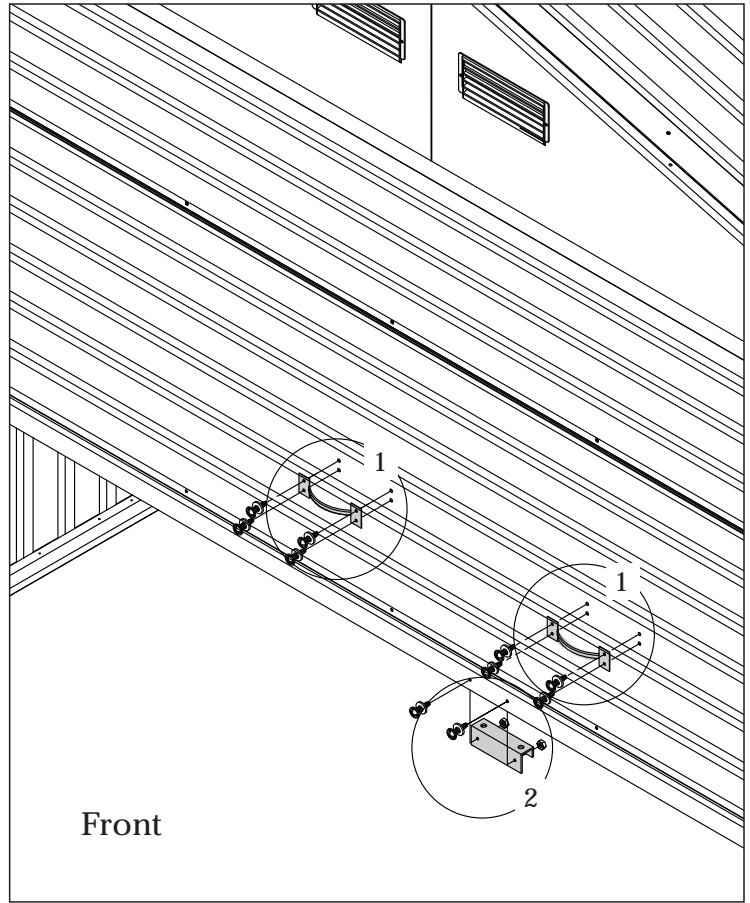


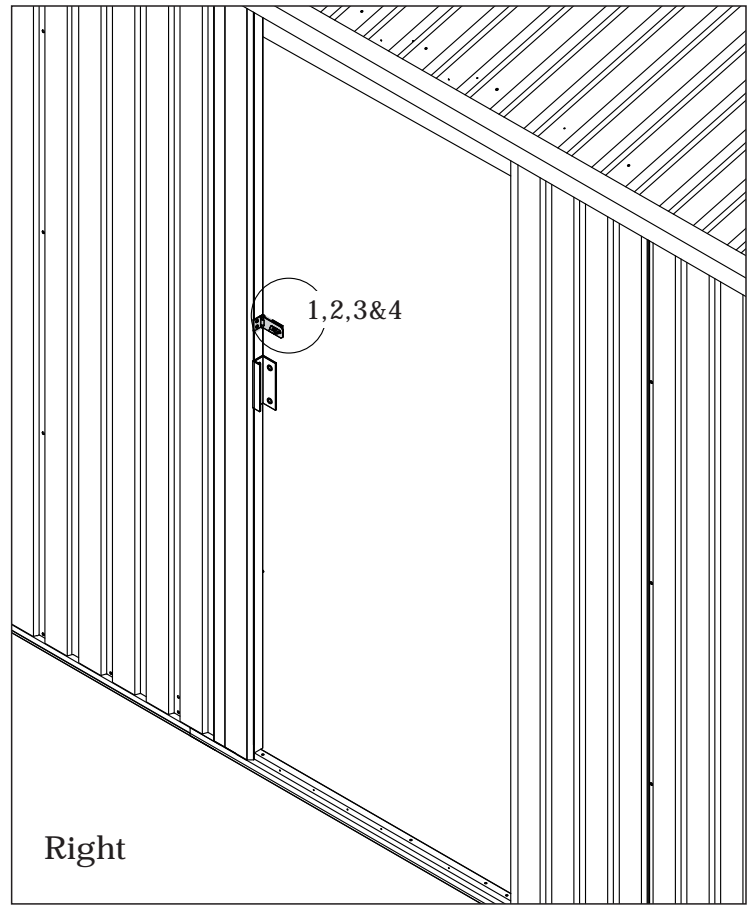
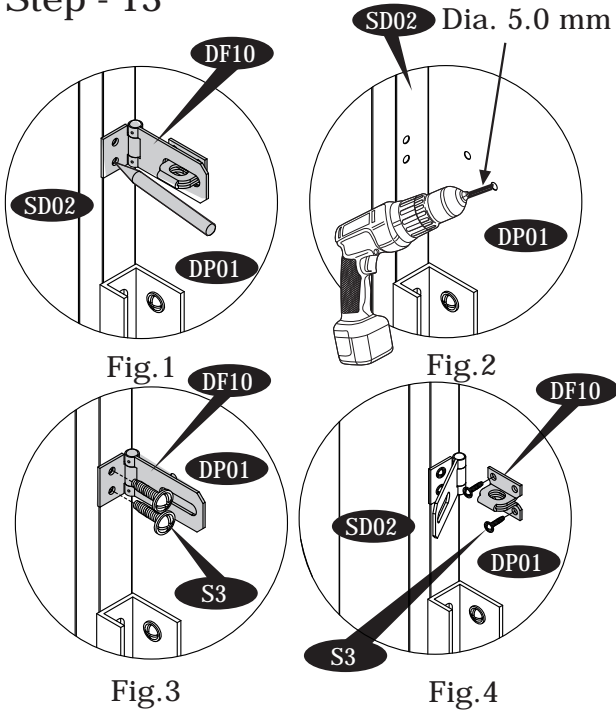
Fig.1



IMPORTANT : “During closing Garage Door in the front , please keep holding Door Handles till it came down to close”.

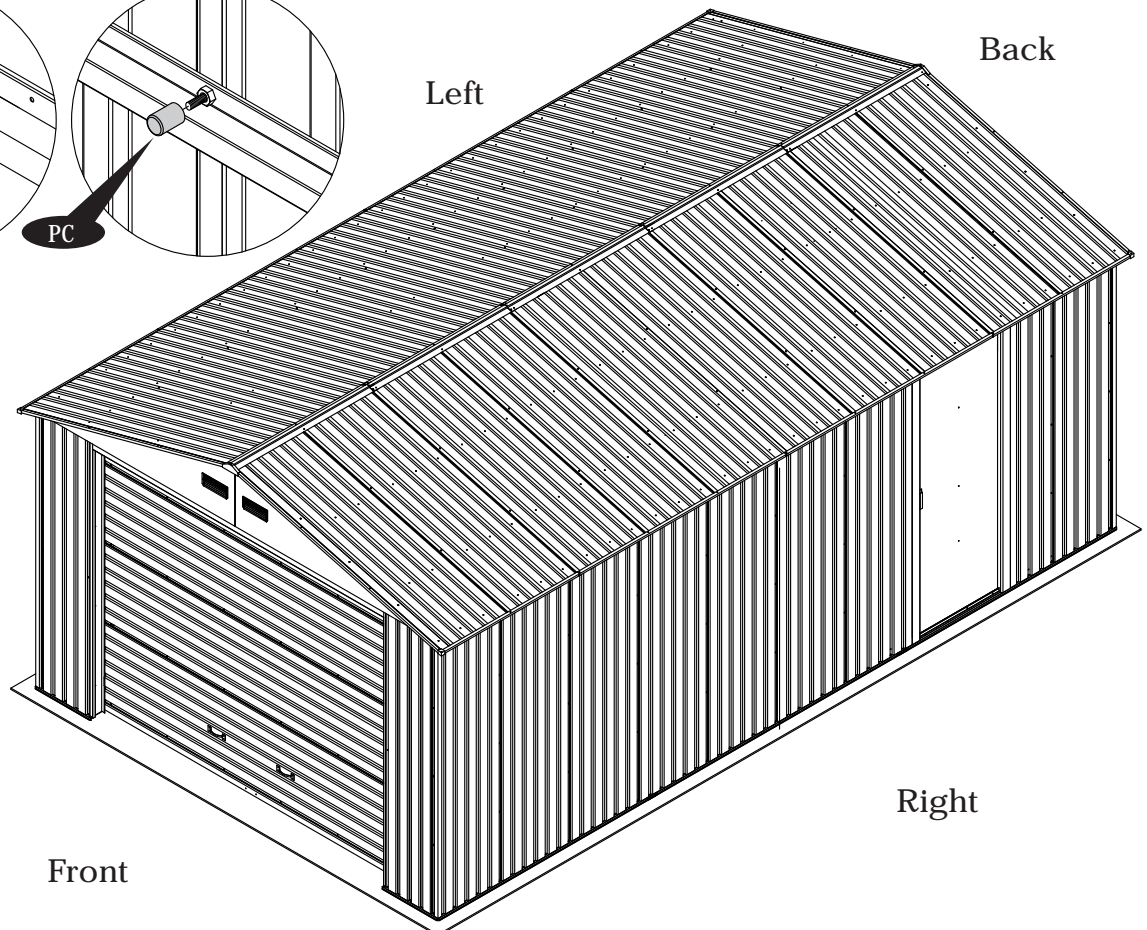
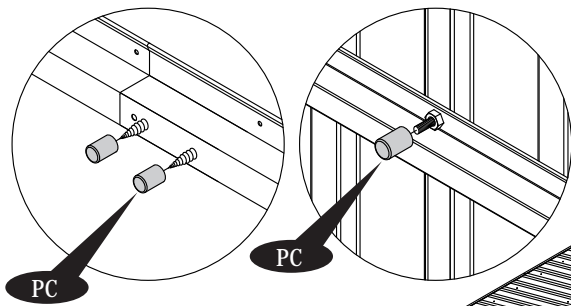
IMPORTANT: USE HAND GLOVES TO PREVENT INJURY.

Step - 13



IMPORTANT
Step - 14

Fix the plastic screw cover (PC) to the screws and bolts edge from inside to prevent injury.



**WE RECOMMEND TO CLEAR YOUR METAL GARAGE OF SNOW AFTER EACH SNOWFALL
IMPORTANT: USE HAND GLOVES TO PREVENT INJURY.**



U.S. Polymers, Inc.
1057 S. Vail Ave
Montebello, CA 90640,
United States of America