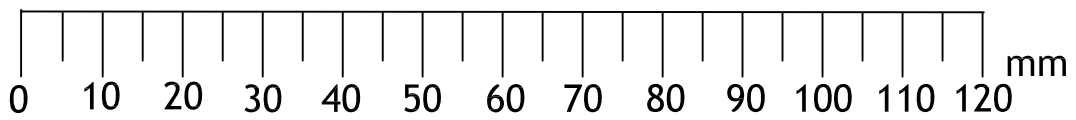
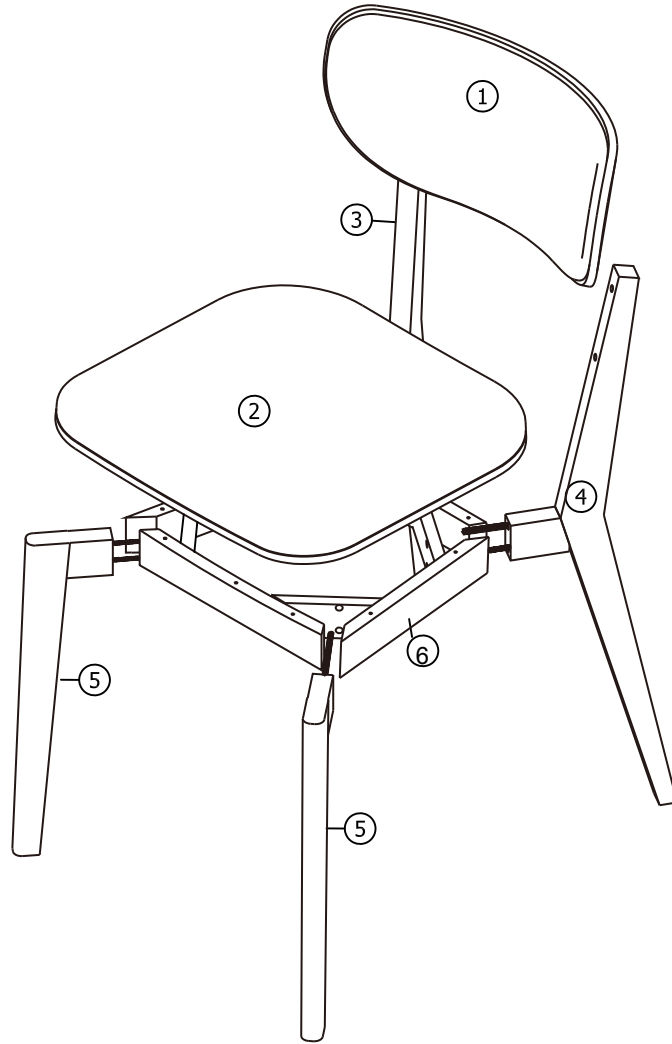
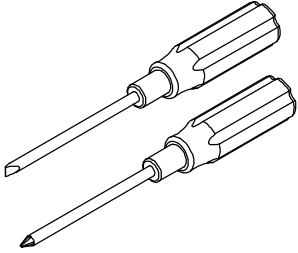


ASSEMBLE INSTRUCTION

Zurich Chair

1/4



Ax8



Bx8



Cx8



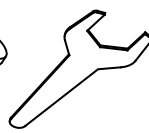
Dx12



Ex4



Fx1



Gx4



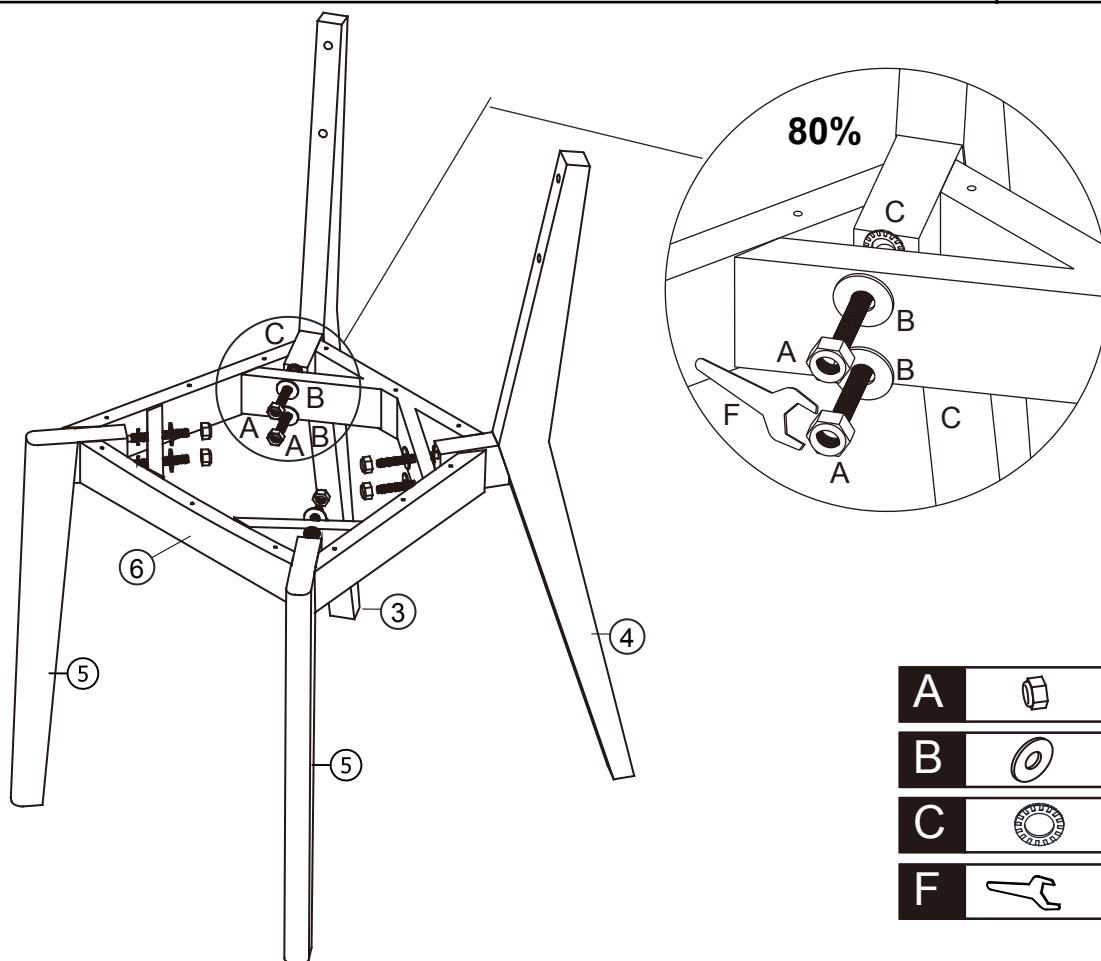
Hx4



Lx4



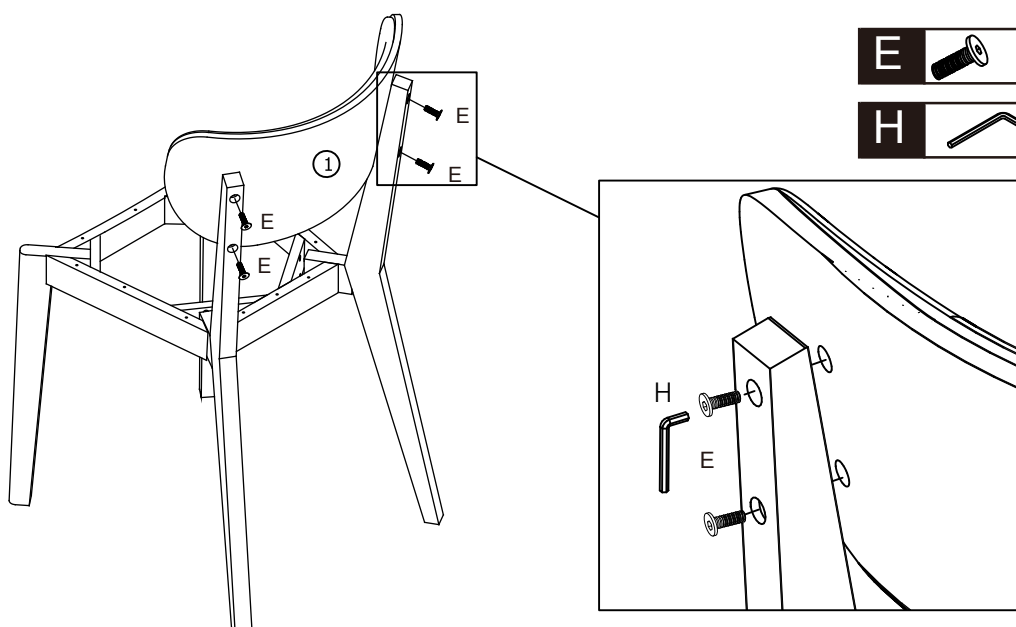
1



A		8
B		8
C		8
F		1

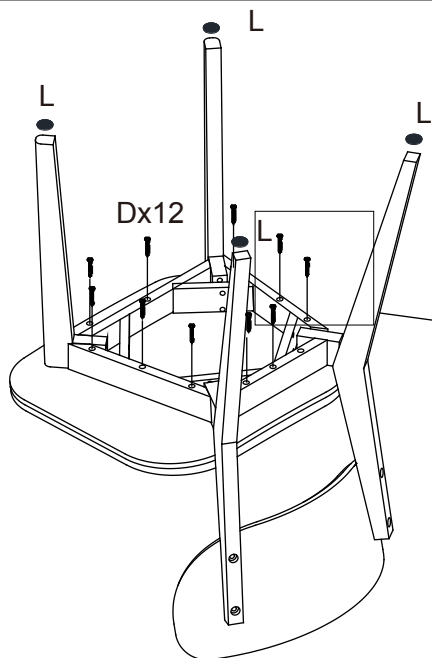
Mount front and rear legs. Do not tighten locknut fully.



2

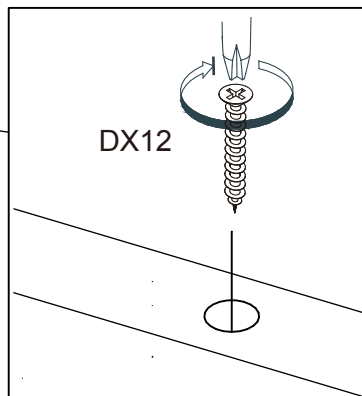


E		4
H		1

3



D		12
L		4

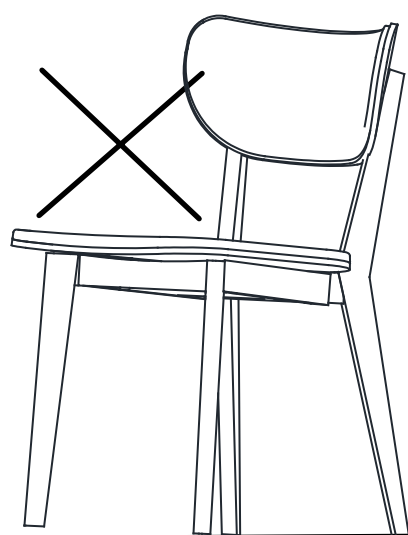
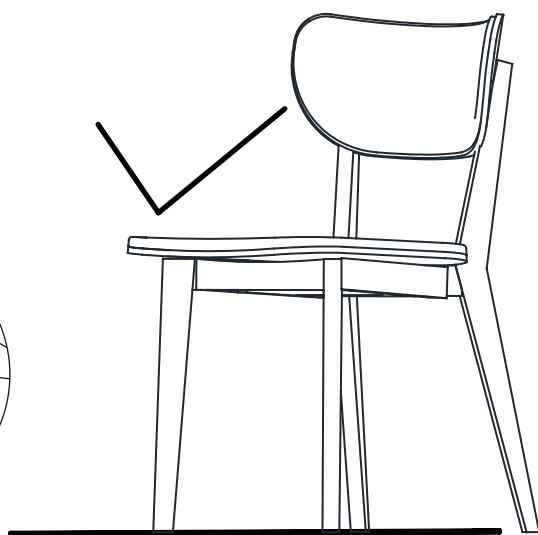
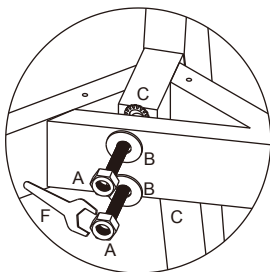


Ensure proper placement of the frame and to mount it firmly against the seat.

4

- Place the chair on an even surface.
- Put a load of approx. 60KG on to the seat.
- Adjust until all 4 legs are level – before you carefully tighten the locknuts.

100%

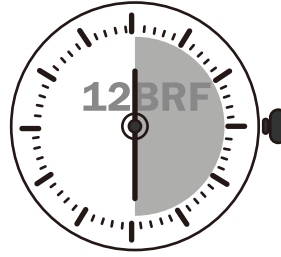


Notice!




Do not fasten the wooden plugs at backside of chair, until after some time, when screws are re-tightened!

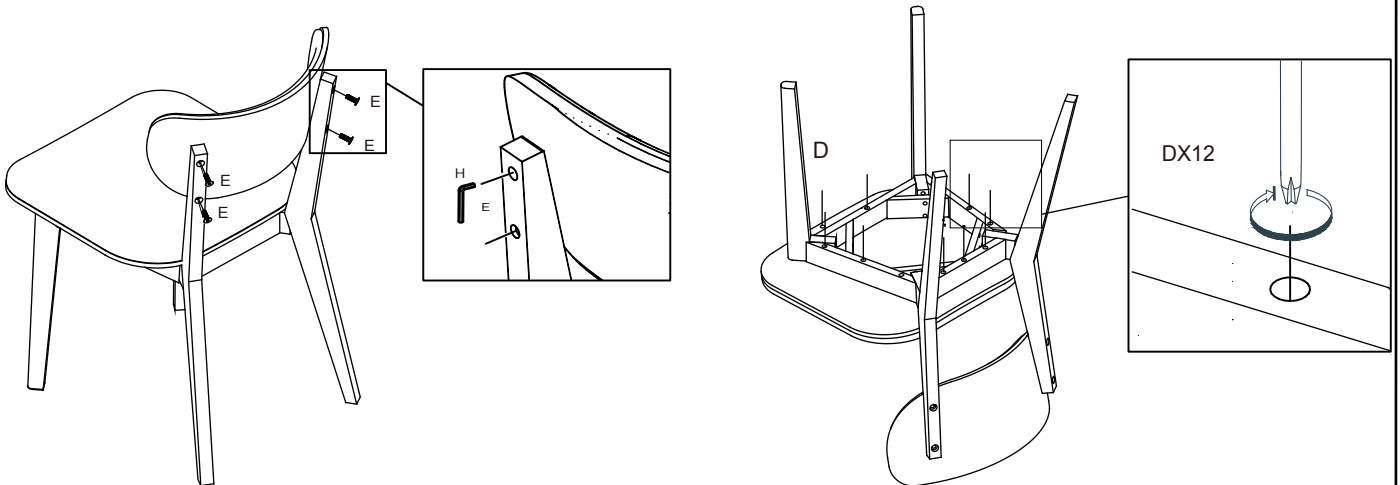
Mo	Tu	We	Th	Fr	Sa	Su
1	2	3	4	5	6	7
⊗ 8	9	10	11	12	13	14
15	16	17	18	19	20	21
⊗ 22	23	24	25	26	27	28
29	30	31				




2-4 weeks/veckor

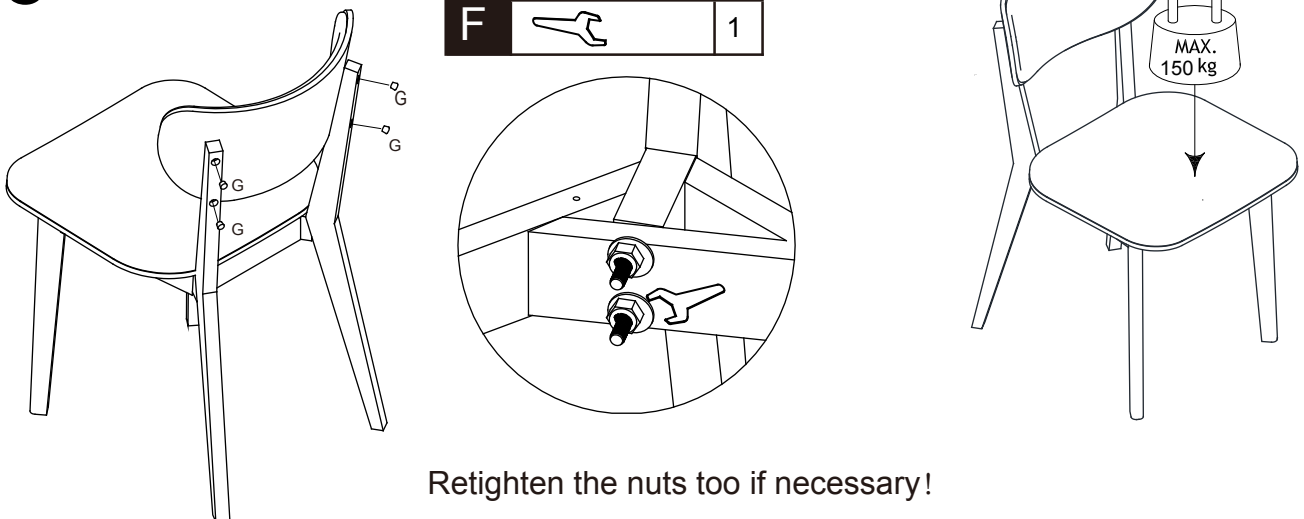


4/4

5 **E**  4 **H**  1 **D**  12



6 **G**  4 **A**  8 **F**  1



Retighten the nuts too if necessary!