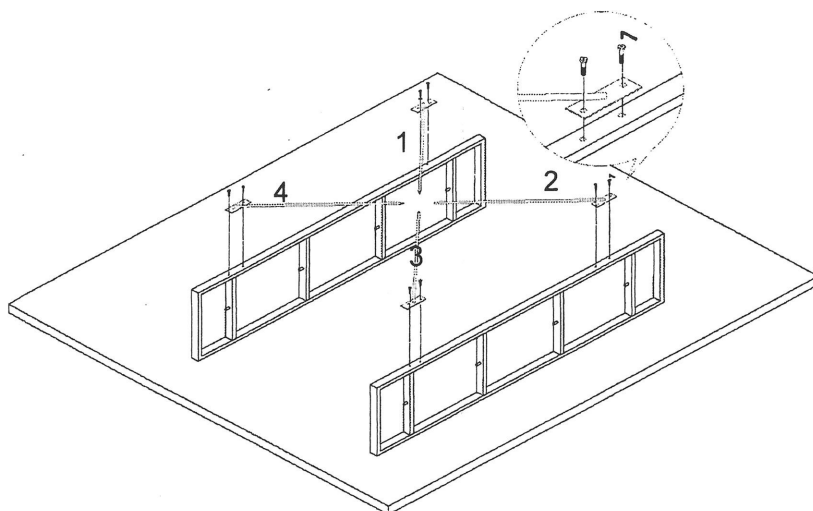


ASSEMBLY INSTRUCTION WFA037 WALL UNIT

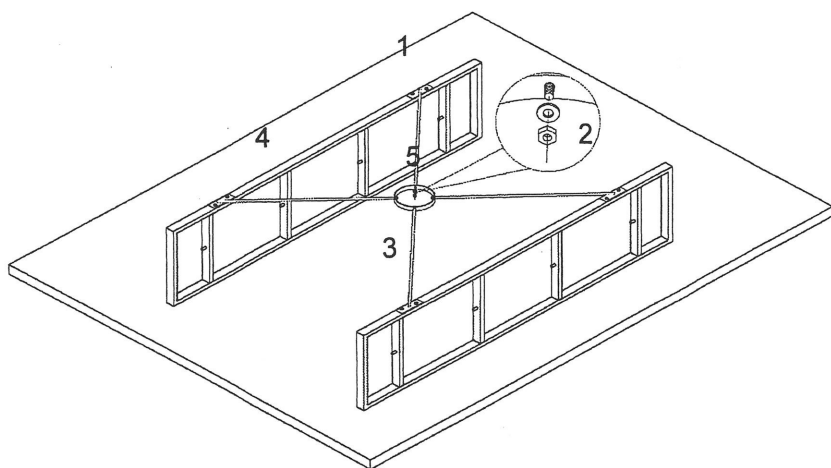
Assembly requires 2 adults.

Lay all parts on a blanket to prevent scratching.





Carefully lift each part



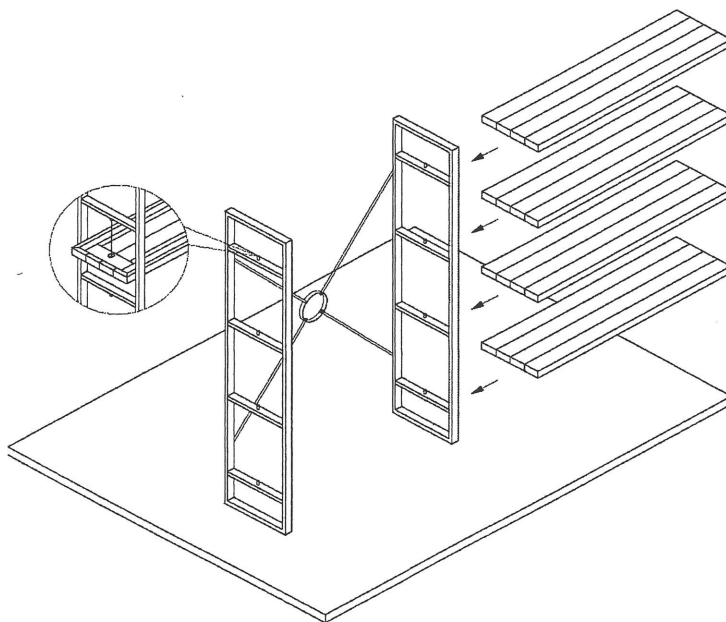
- STEP 1** Insert metal (1, 2, 3, 4) into Metal frame by using Bolt (A) & Washer (B).
Tighten all bolts using Allen key (D) (as picture).



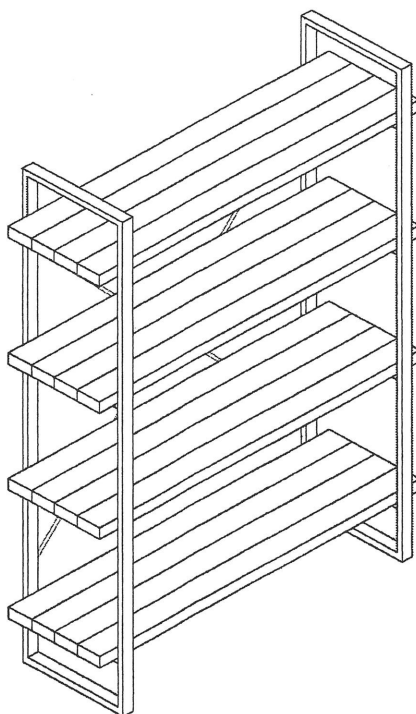
- STEP 2** Fit the metal ring to the 4 metal rods by washer (B) and nut (C), to hold the rod in position.
Please note you should screw the nuts and washers firmly after you completed the positioning of the four rods.

HARDWARE			QUANTITY
A	BOLT Φ 6 x 15		8
B	WASHER Φ 6		12
C	NUT Φ 6		4
D	ALLENS KEY Φ 4		1

PGT-RECLAIMED is the trading brand of PGT-RECLAIMED (INTERNATIONAL) LTD who is the owner of this assembly instruction. No person or organization is permitted to reproduce or modify under any circumstances wherever and however displayed without written permission.



STEP 3 Fit the individual shelf into the location points on the Metal frame



FINISH