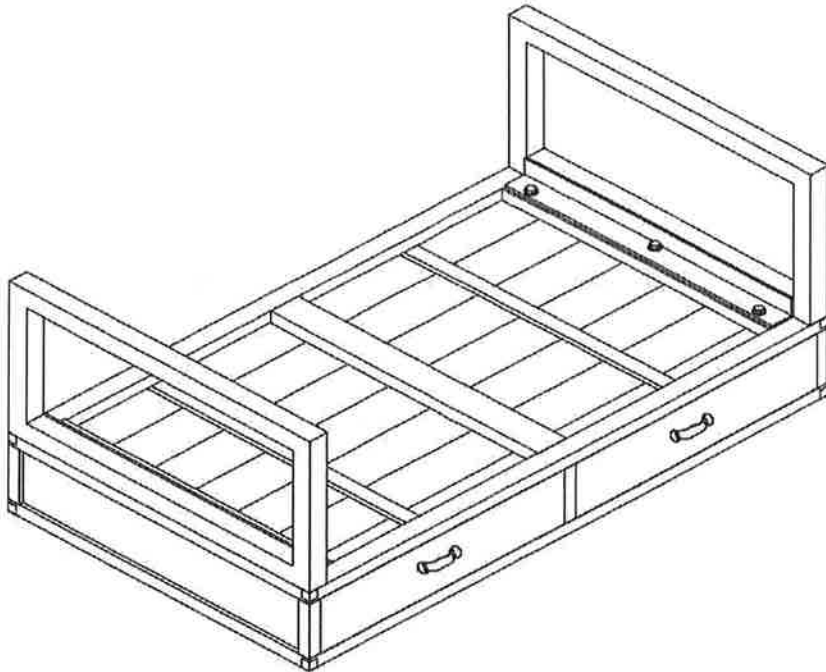
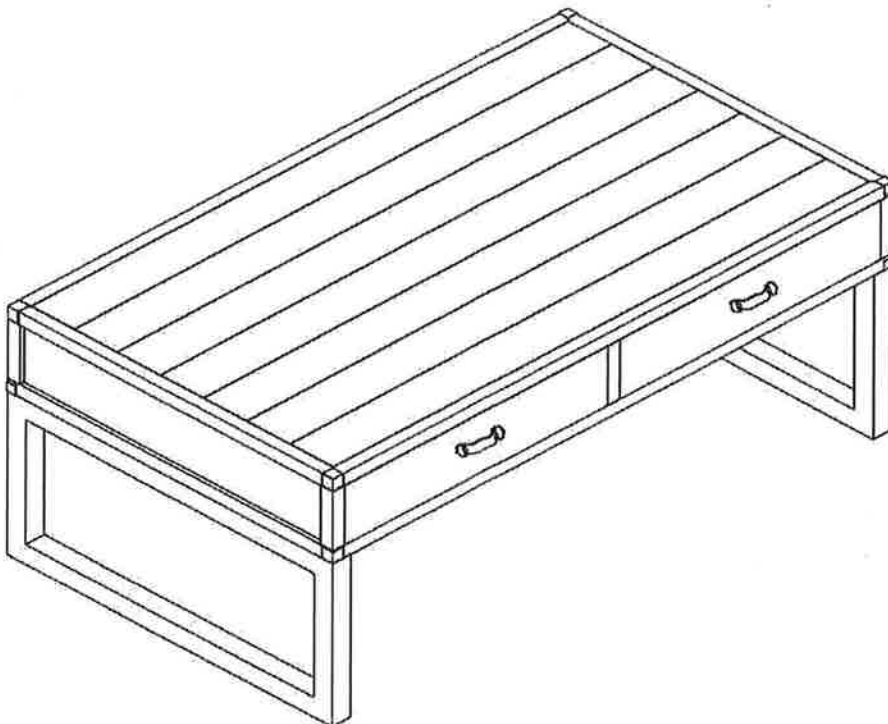


3



Tightening all bolts by using ring spanner (C),
do not use power tool.



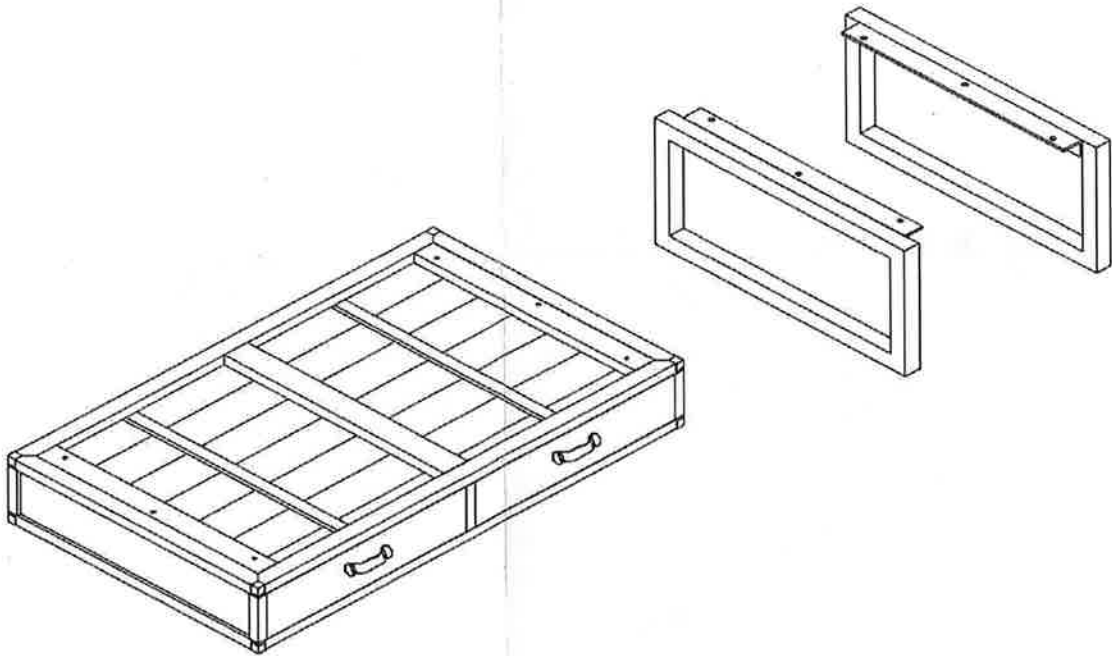
Carefully turn the table over on to its feet, and fully tighten all bolts.

©

— FINISH —

RECLAIMED is the trading brand of **PLANTATION GROWN TIMBERS (INTERNATIONAL) LTD** who is the owner of this assembly instruction. No person or organization is permitted to reproduce or modify under any circumstances wherever and however displayed without written permission.

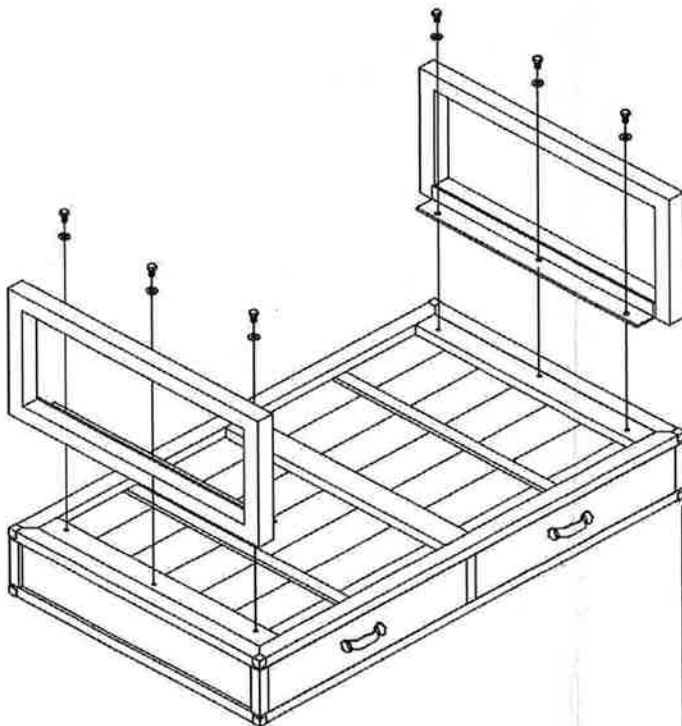
1






Assembly requires two adults.

We suggest to place the table upside down on a blanket to protect it from scratching.

2



Attach the legs using bolt (A) and washer (B).

HARDWARE		QUANTITY
A	BOLT Φ 10 x 25	 6
B	Washer Φ 11 x 20 x 1.8	 6
C	Ring Spanner K17 x 25 x 135	 1

©