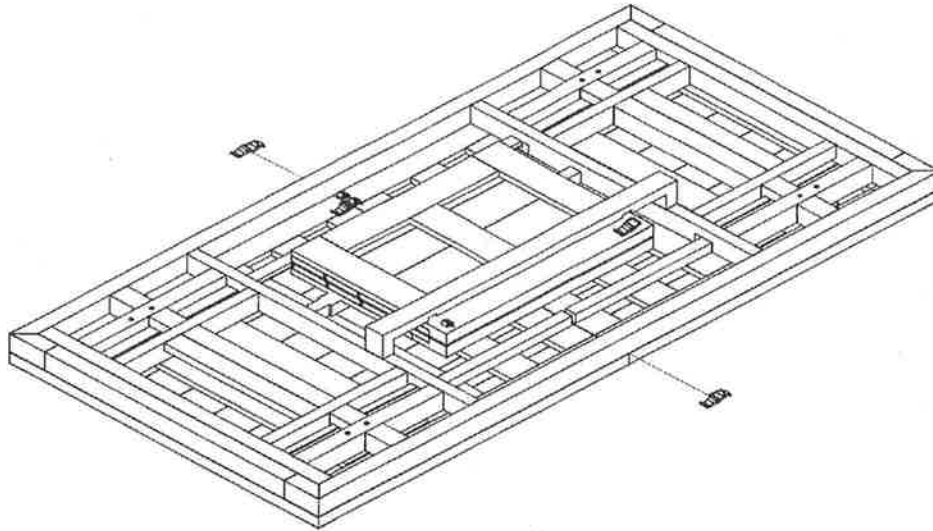
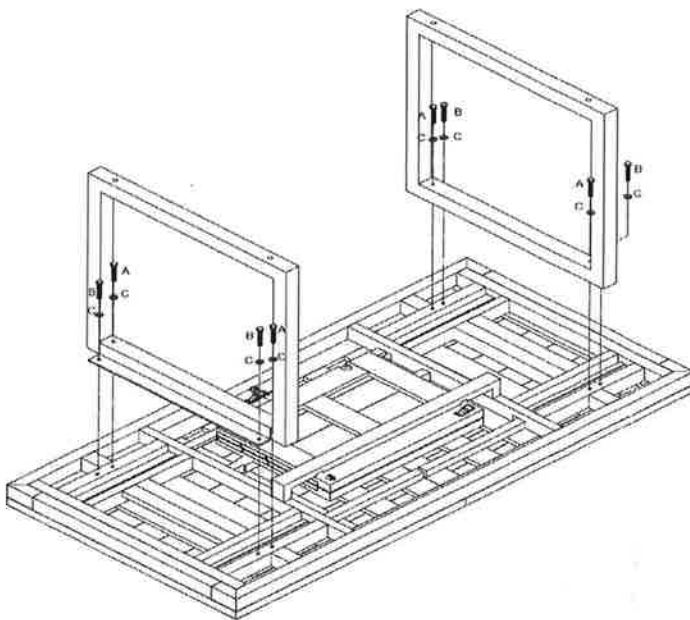






Assembly requires two adults.

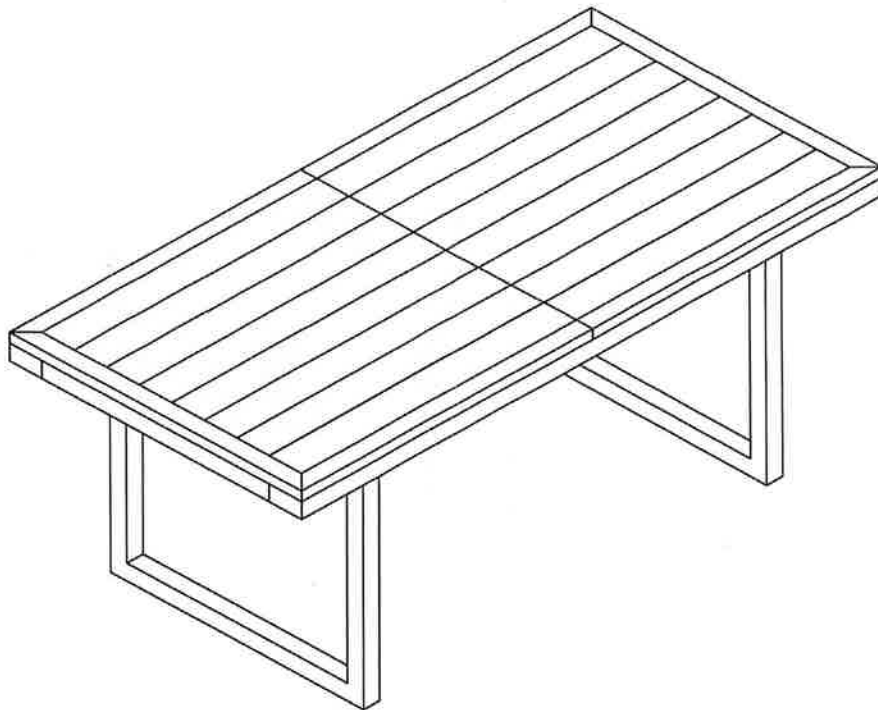
Lay all parts on a blanket to prevent scratching.
Carefully lift each part



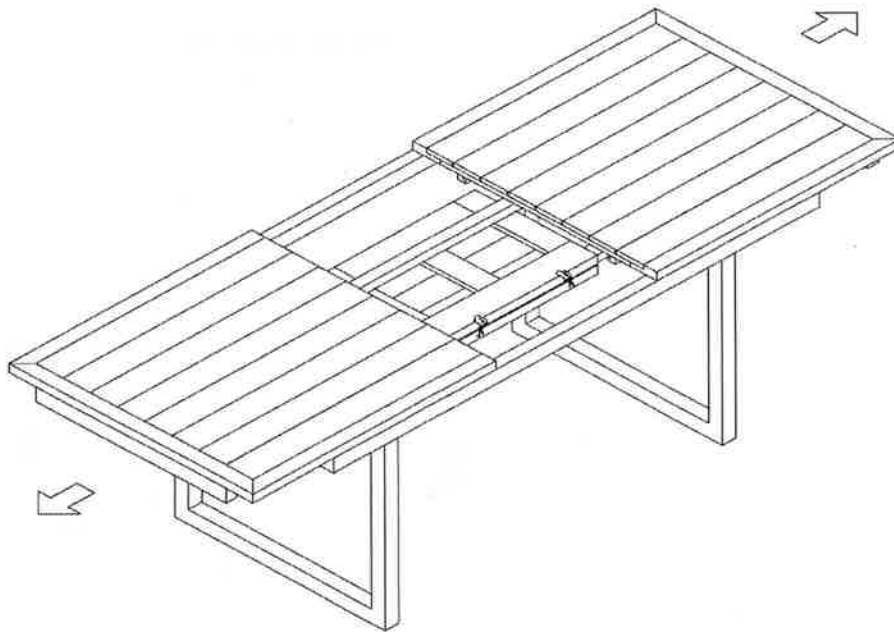
- STEP 1 We suggest to place the table upside down on a blanket to protect it from scratching. Unlock locking clips
- STEP 2 Attach the legs using bolt (A) and washer (B).
Table legs are self adjusting moving the leg up or down the elongated bolt hole in the table top corner block. It is best to completely tighten each bolt when the table is assembled in the upright position.
- STEP 3 Tightening all bolts by using ring spanner (C), do not use power tool.



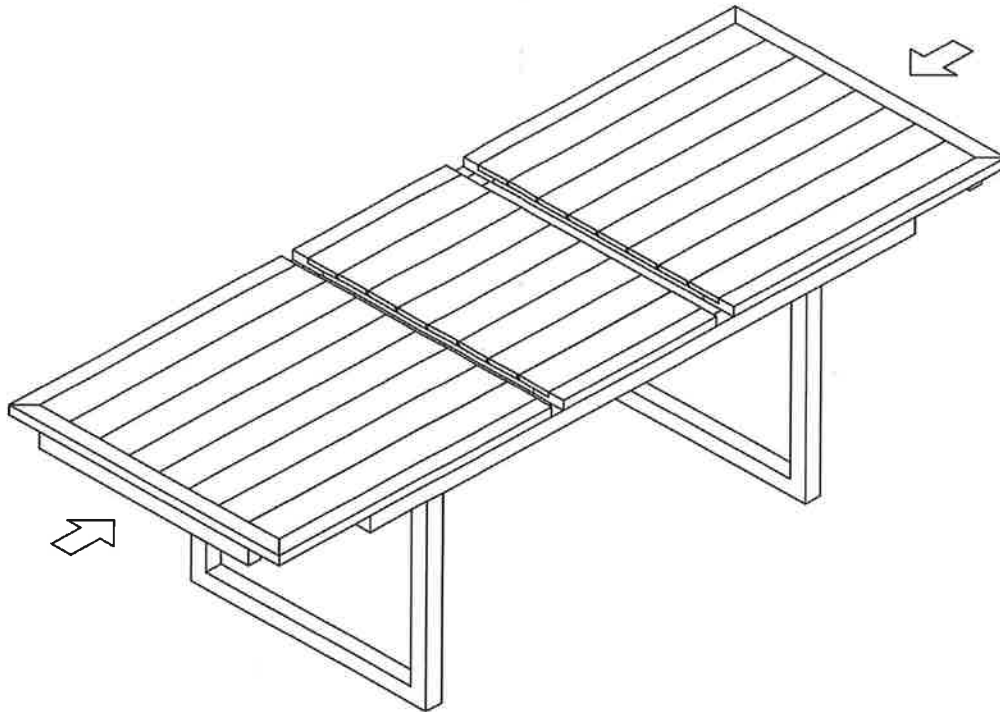
HARDWARE			QUANTITY
A	BOLT Φ 10 x 80		4
B	BOLT Φ 10 x 40		4
C	WASHER Φ 11 x 26 x 1.8		8
D	RING SPANNER K17 x 25 x 135		1



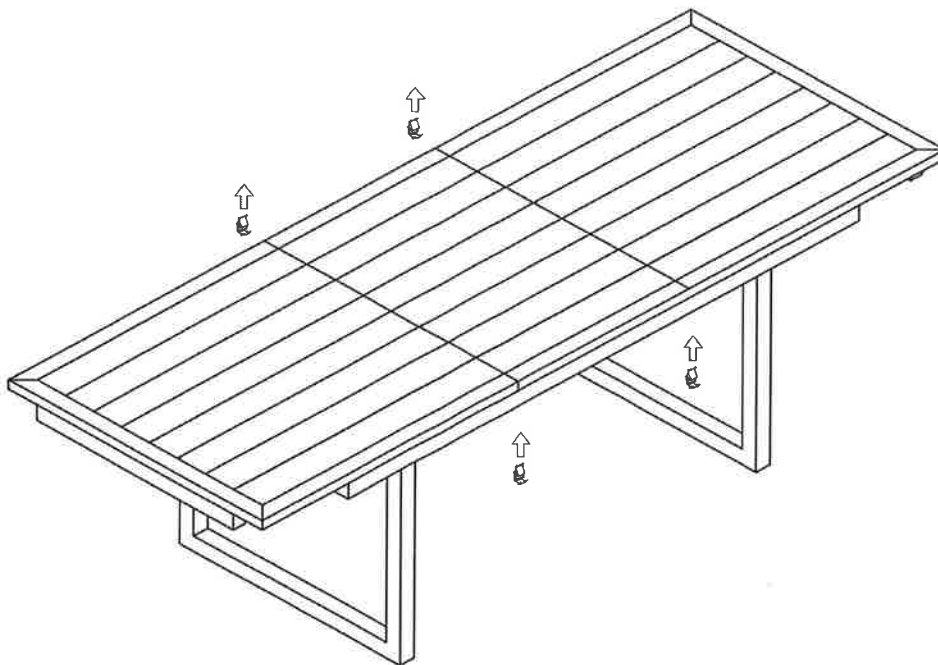
STEP 4 Carefully turn the table over on to its feet, and fully tighten all bolts.



STEP 5 Open the table top.



STEP 6 Fully open the leaf and close table top.



STEP 7 Lock locking clips

