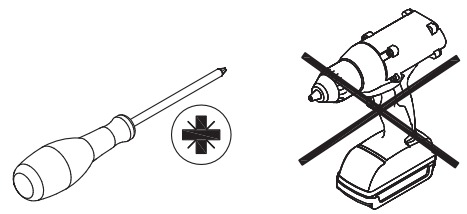





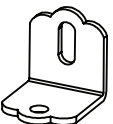





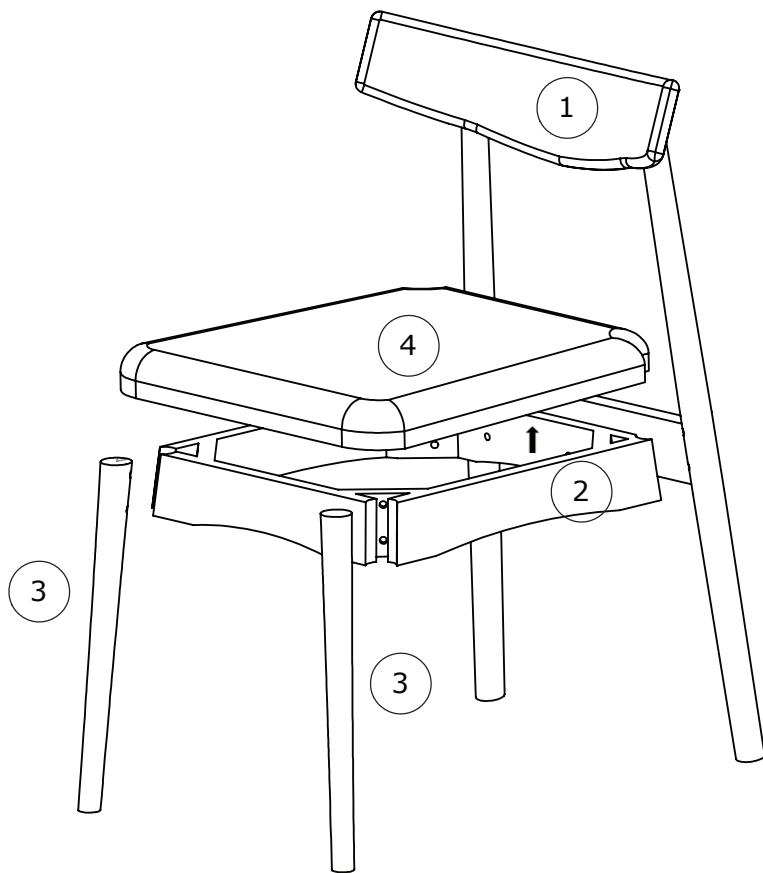
ASSEMBLE INSTRUCTION

Wagner Chair

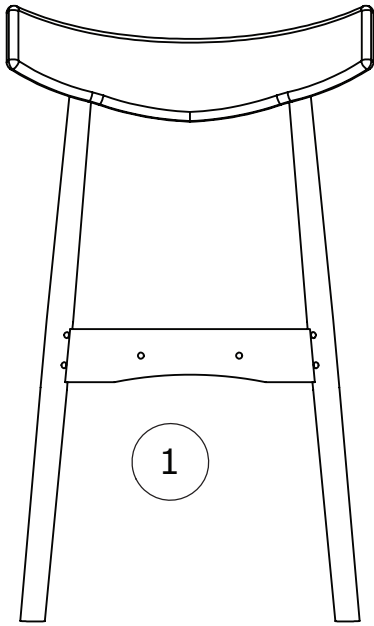




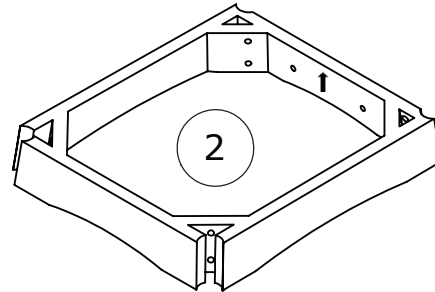
<p>Ax2</p>  <p>M6x35 mm</p>	<p>Bx4</p>  <p>M6x80 mm</p>	<p>Cx4</p>  <p>M6x60 mm</p>	<p>Dx10</p>  <p>M6</p>	<p>Ex10</p>  <p>M6/16 mm</p>
<p>Fx4</p>  <p>20x18x2 mm</p>	<p>Gx8</p>  <p>Ø3,5x15 mm</p>	<p>Hx1</p>  <p>4 mm</p>	<p>Ix4</p>  <p>Ø25x3 mm</p>	



Box 1/1



810x480x145 mm

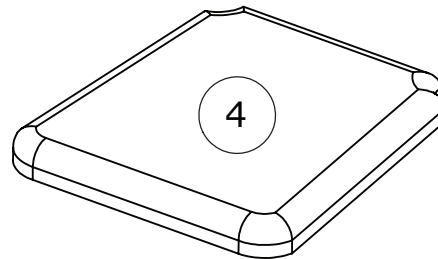


440x390x70 mm

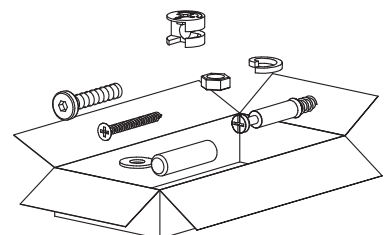


3 x2





446x35x35 mm

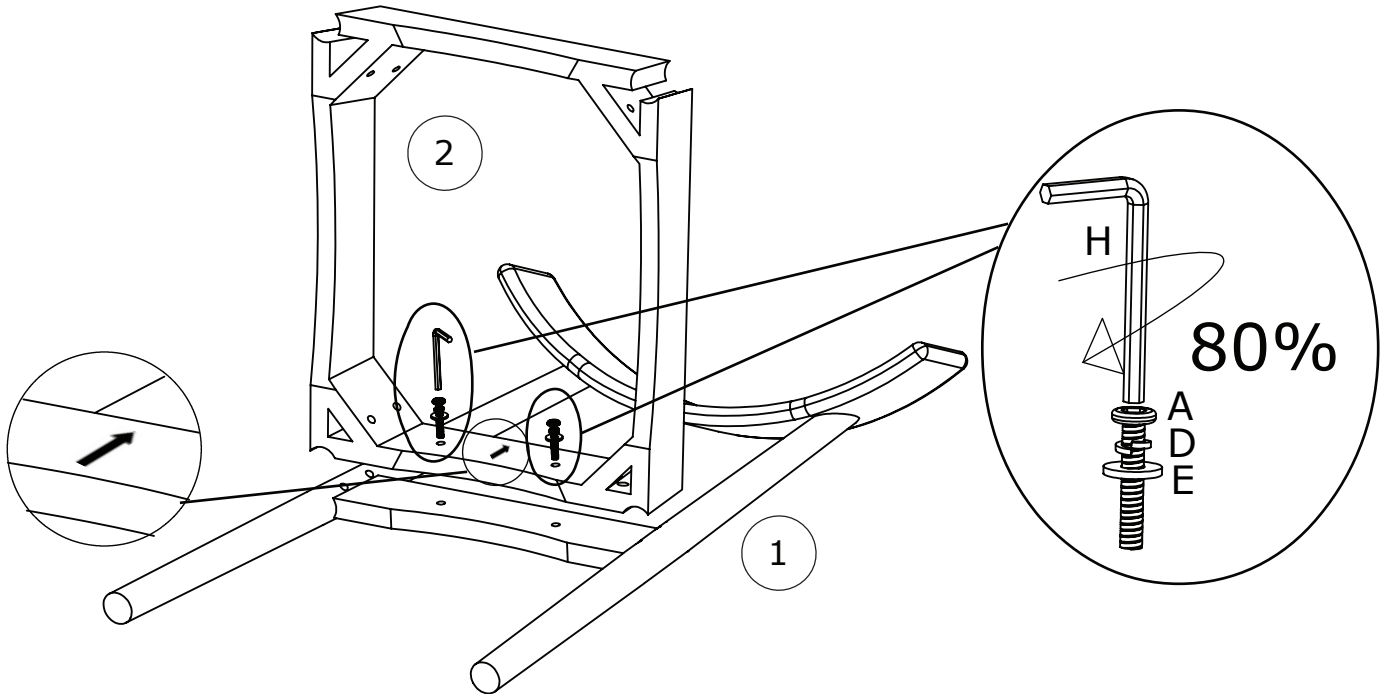


475x450x45 mm







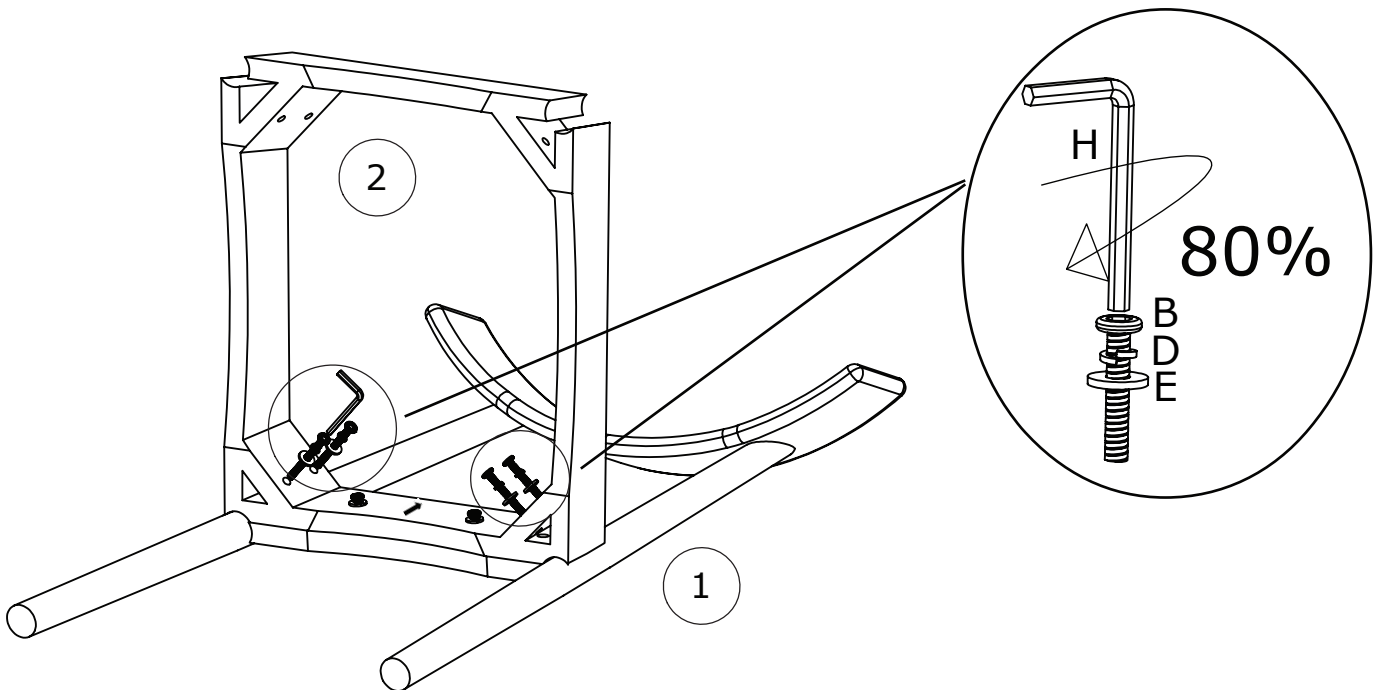
1

Ax2  M6x35 mm	Dx2  M6	Ex2  M6/16 mm	Hx1  4 mm
--	--	--	--



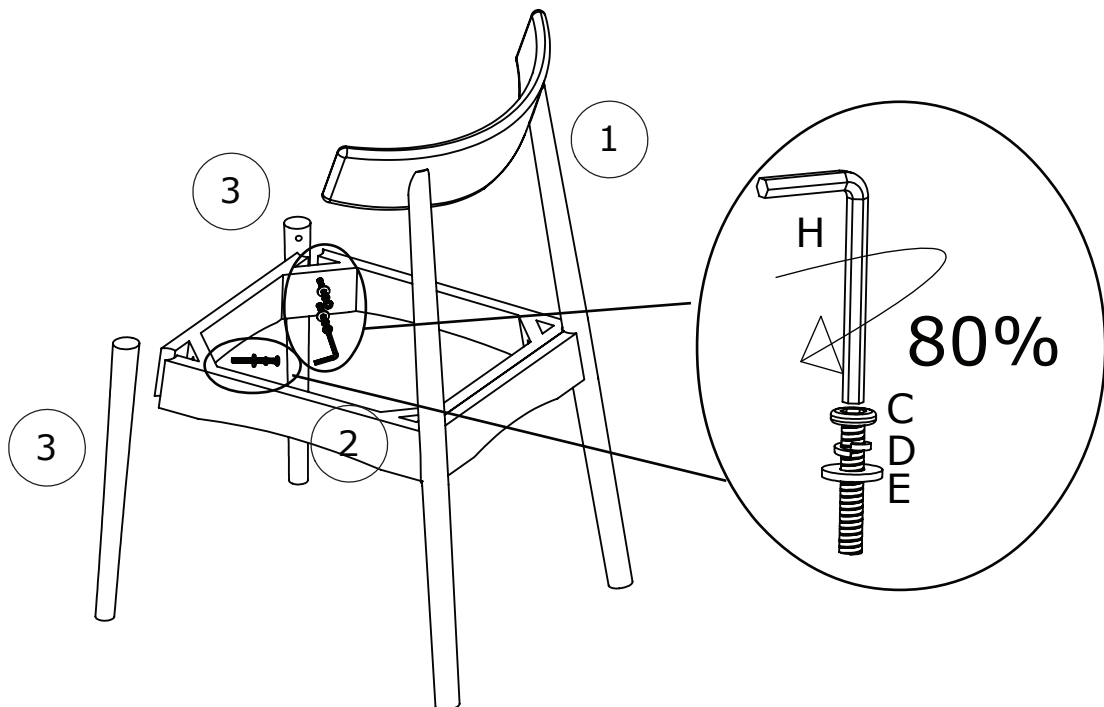
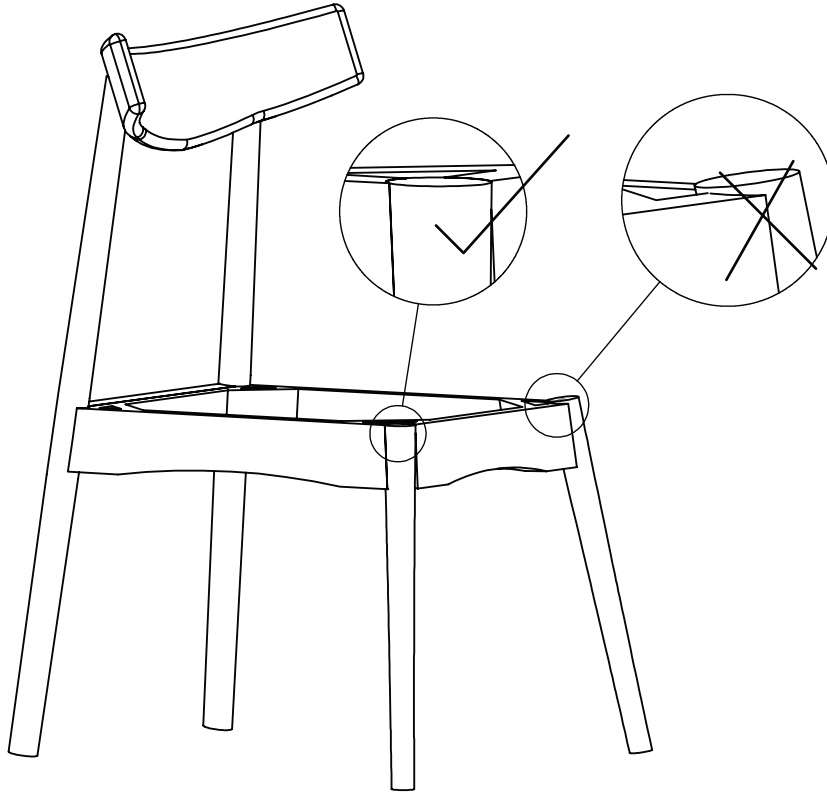
2

Bx4  M6x80 mm	Dx4  M6	Ex4  M6/16 mm	Hx1  4 mm
--	--	--	--




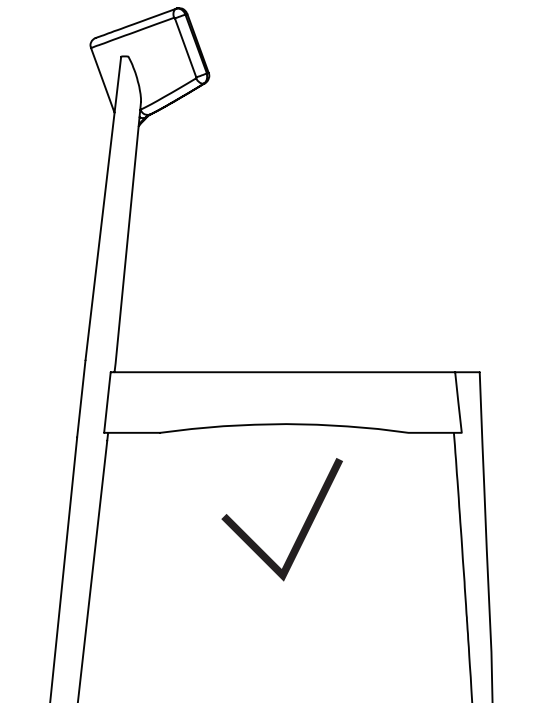
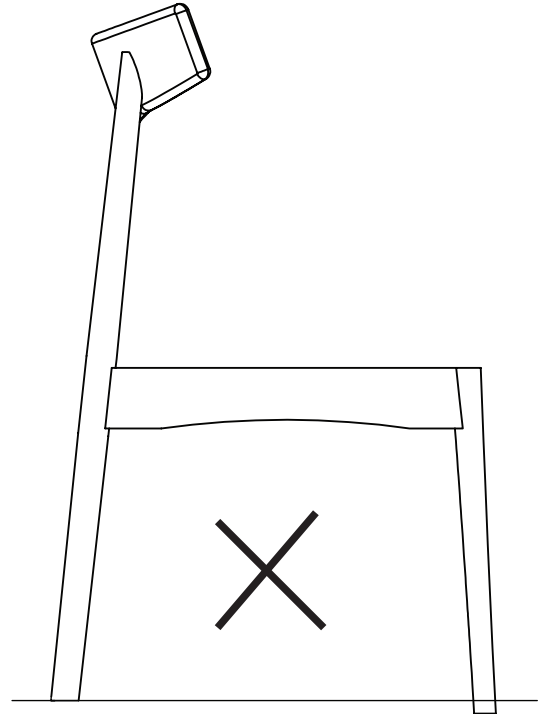
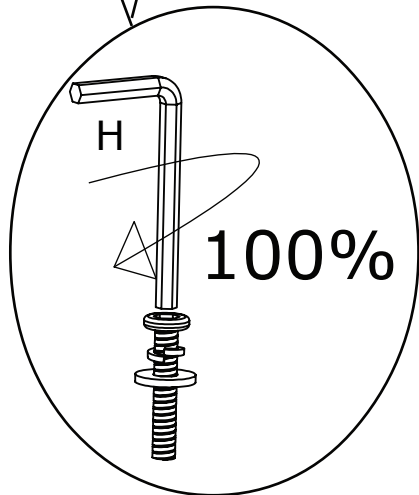
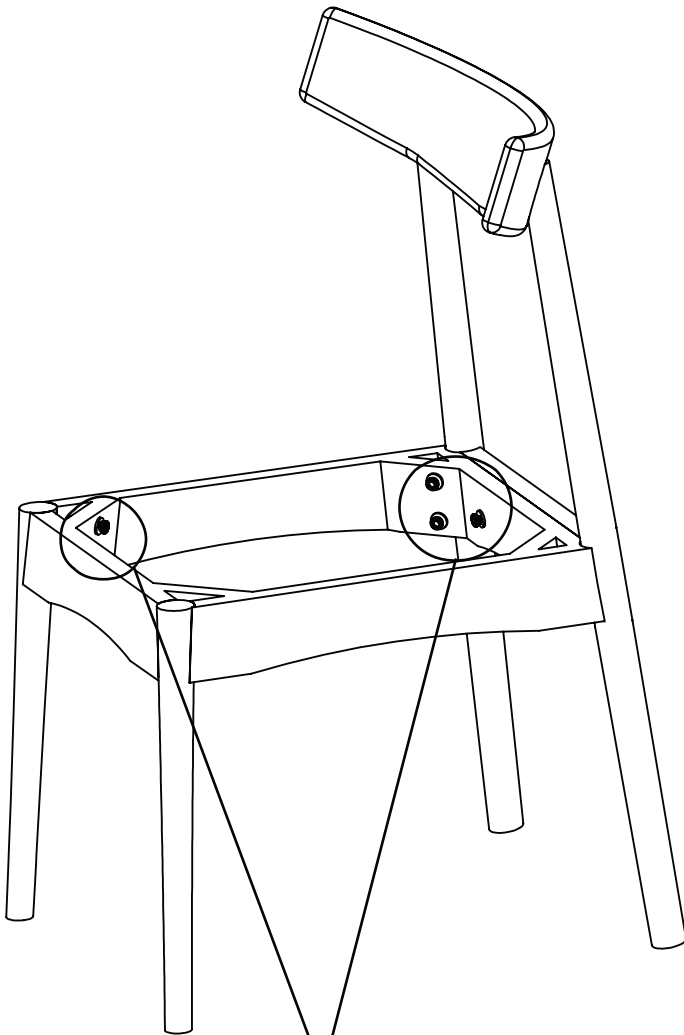
3

Cx4 M6x60 mm	Dx4 M6	Ex4 M6/16 mm	Hx1 4 mm	
-----------------	-----------	-----------------	-------------	--





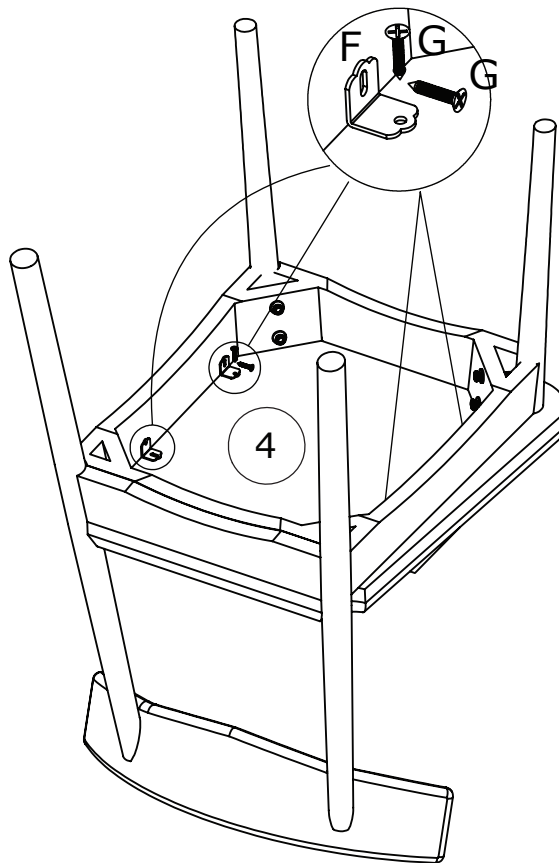
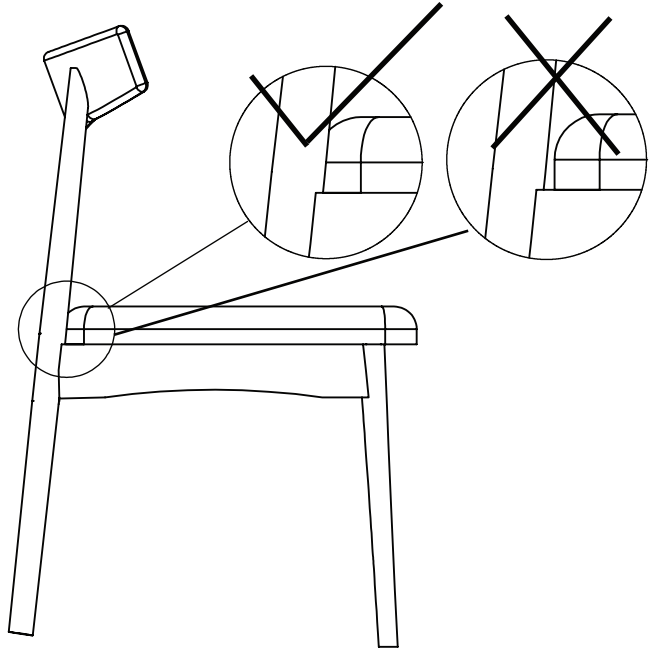
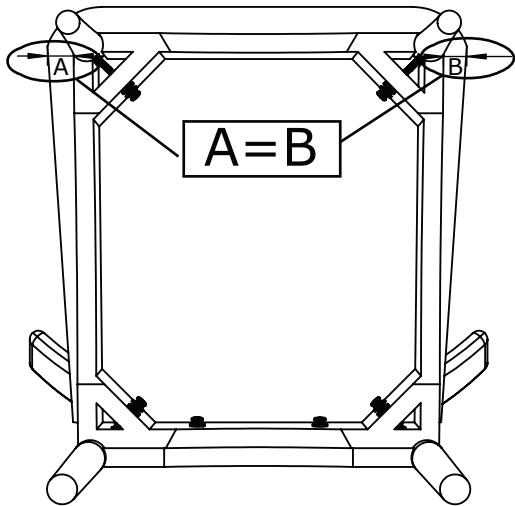
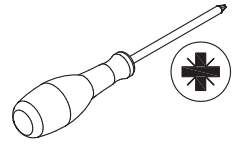
4

Hx1	
	
4 mm	



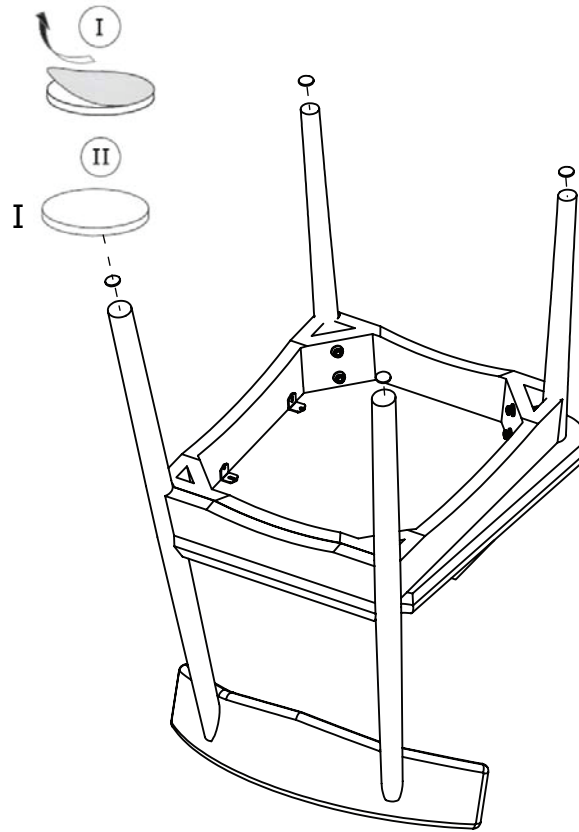
5

Fx4  20x18x2 mm	Gx8  Ø3,5x15 mm
--	--



6

<p>Ix4</p>  <p>Ø25x3 mm</p>	
--	--



7

