

# The Sasha

A contemporary and classic design featuring wide, square arms. Fitted standard with our Easy comfort seats, Fine comfort fitted backs and T4 (90mm high) timber legs\*<sup>3</sup>, offering supreme comfort and support.

The Sasha is hand crafted here in New Zealand using excellent quality materials. This design is available as a sofa bed using a high class bi-fold mechanism with a 120mm innerspring mattress.

**Model features a 3 Seater Sofa with T4 Wenge timber legs, fitted with Easy comfort seats and Fine comfort fitted backs.**



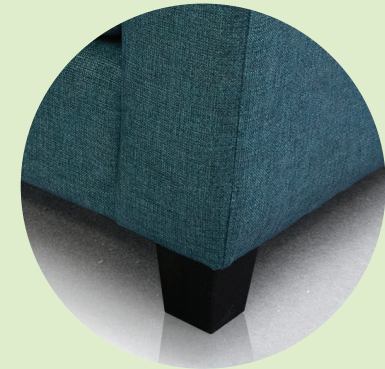
SQUARE ARM

## YOU CHOOSE.

Our Essentials range takes the work out of choosing a sofa. We have selected the sizes, foams and fabrics that suit these models best and provide the best value for you.

## FEATURING

- A solid frame made from New Zealand kiln dried and engineered, sustainable timbers.
- New Zealand seat and back cushion fills selected based on what works for each model.
- Timber Wenge legs.
- Select the perfect size and shape for your space.
- Choose from our range of selected fabrics.
- Great value models.



## HOW IT WORKS



### STEP 1



Select your configuration and size



### STEP 2



Select from our choice of fabrics



### STEP 3



Worry-free aftercare

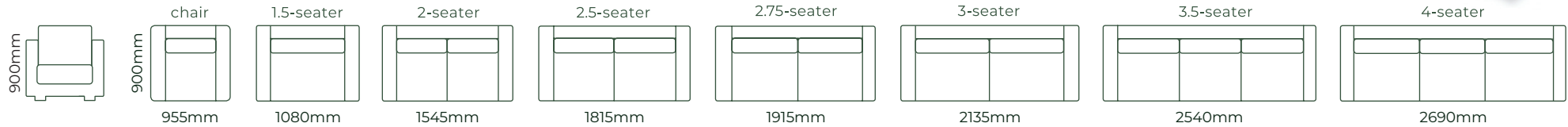


Our comprehensive warranty programme, and robust aftercare will ensure your suite will stand the test of time.

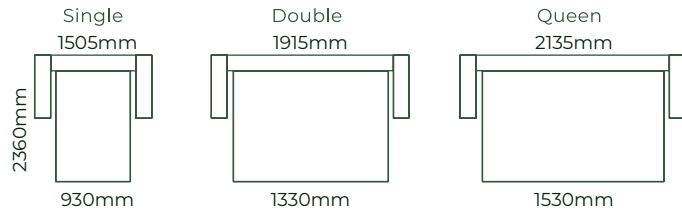
# THE SASHA / DIMENSIONS



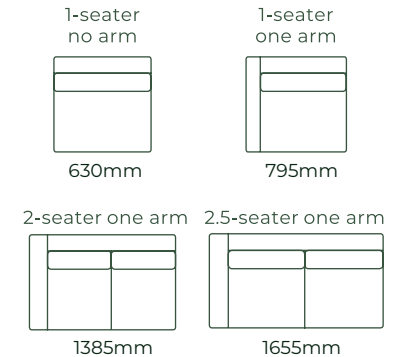
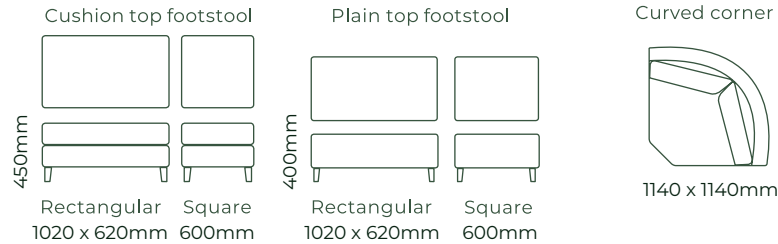
## SOFAS ALL SOFA SIZES AVAILABLE WITH NO ARM, ONE ARM OR TWO ARMS



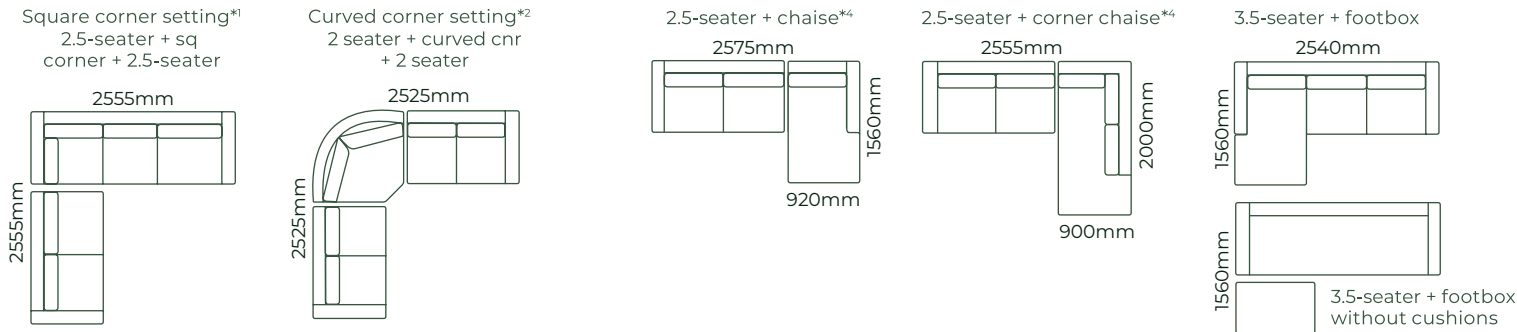
## SOFA BEDS SUITABLE FOR CORNER SETTINGS TOO\*5



## ACCESSORIES



## EXAMPLE SETTINGS WITH MANY OTHER CONFIGURATIONS AVAILABLE



## TIMBER LEG STAINS



## METAL LEG COLOUR



Due to the nature of foam and fabric all furniture dimensions could be +/- 20mm.

\*1. In a square corner setting the corner piece is always 'built on' to the smaller of the two sofas specified as standard, but can be purchased separate if preferred.

\*2. In a curved corner setting, the corner piece is freestanding.

\*3. Legs are Wenge as standard, but please refer to your retailer.

\*4. Chaise cushion width is always made to match adjoining piece.

\*5. Sofa beds have 270mm deep front borders. We use T47 or T27 legs (70mm).

## WARRANTY:

**Timber frame:** 15-years **Back inners:** 2-years

**Seat webbing:** 10-years **Sofa bed mech:** 1-year

**Seat foam:** 10-years **Fabric:** Refer to supplier