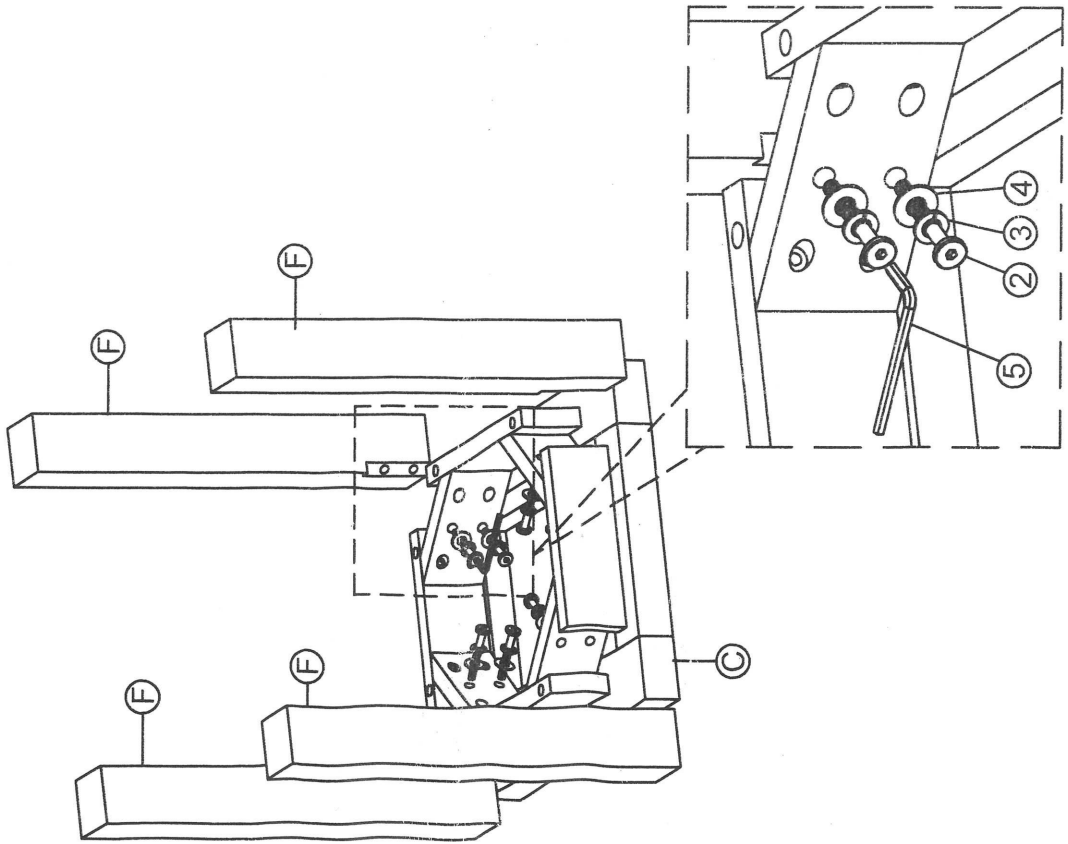
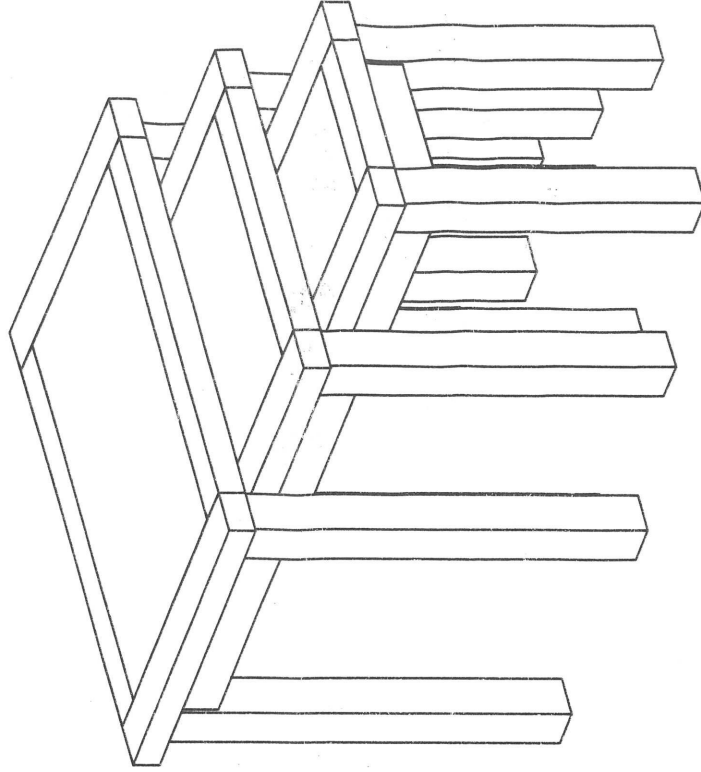


ASSEMBLY INSTRUCTION
NEST OF TABLE SET

STEP 3



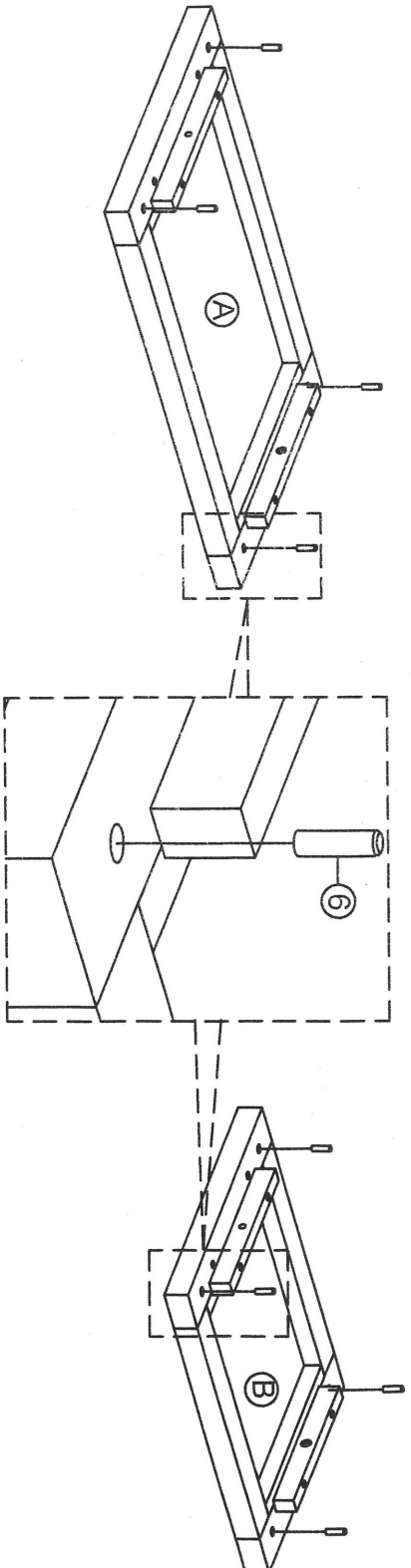
FINAL



ASSEMBLY INSTRUCTION NEST OF TABLE SET

No	Name of Component	Q.ty
(A)	Large Frame	1
(B)	Medium Frame	1
(C)	Small Frame	1
(D)	Long Legs	2
(E)	Medium Legs	2
(F)	Short Legs	4
No	Name of Hardware	Q.ty
(1)	Bolts M6x30	4
(2)	Bolts M6x60	16
(3)	Spring Washers	8
(4)	Flat Washers	8
(5)	Allen key K4	1
(6)	Wooden dowels	8

STEP 1



STEP 2

