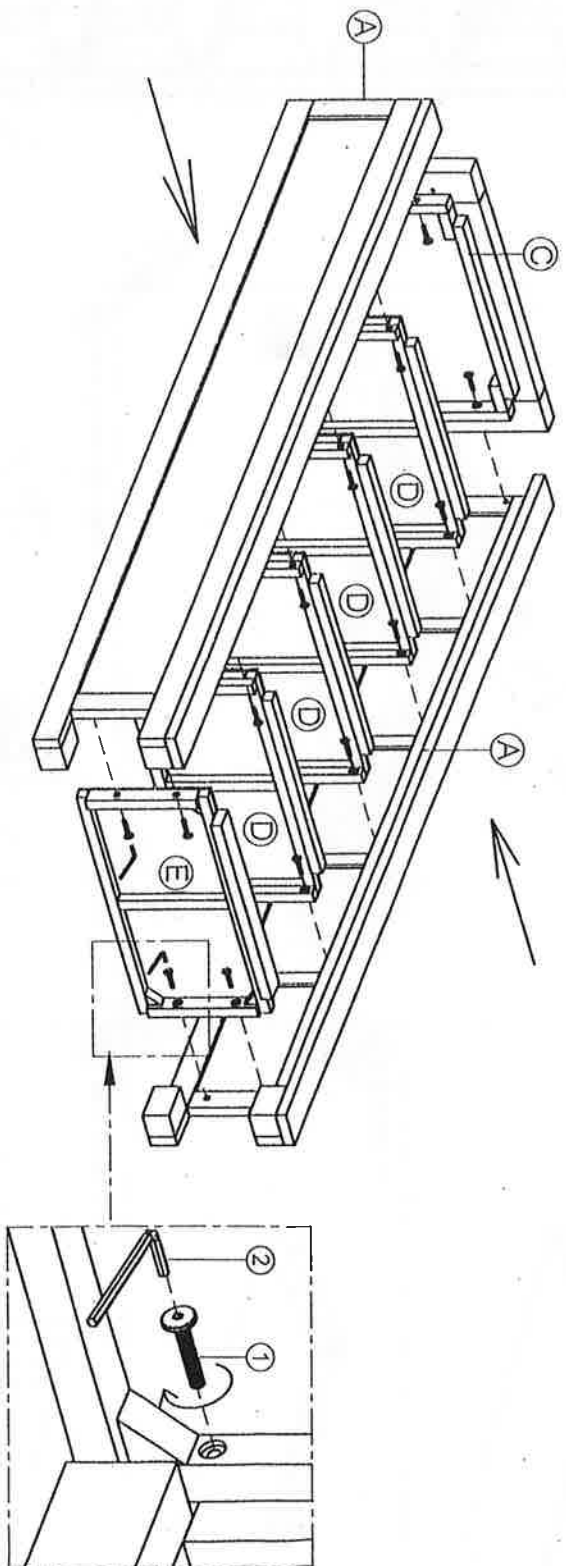
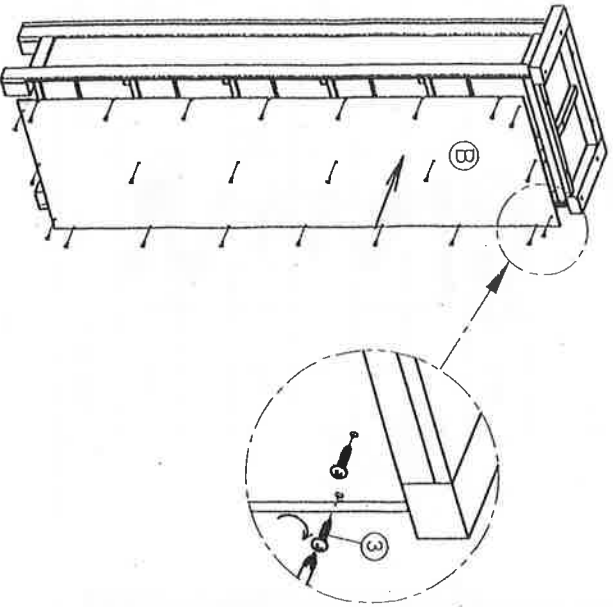


ASSEMBLY INSTRUCTION  
SLIM BOOKCASE\_KD

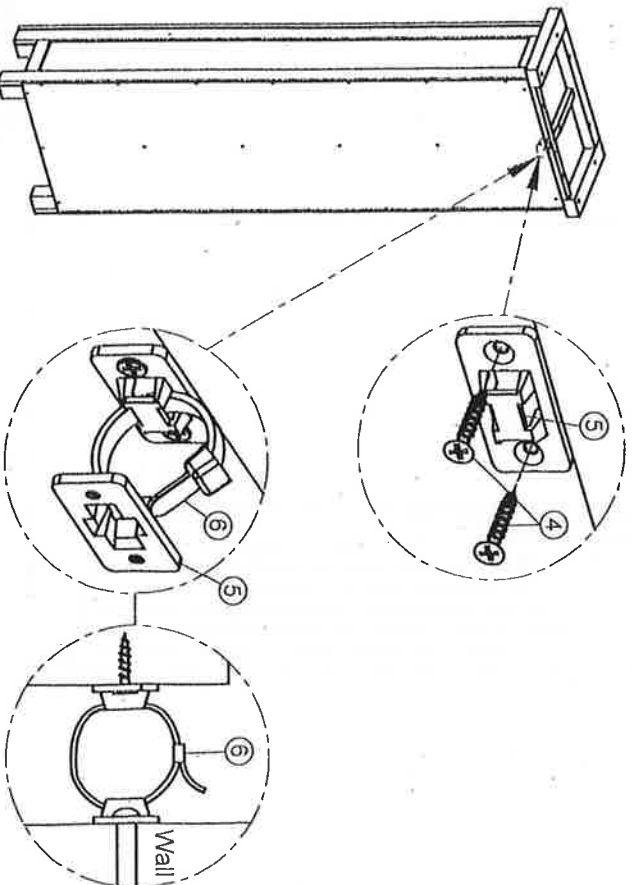
STEP 1









STEP 2

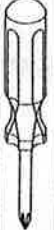


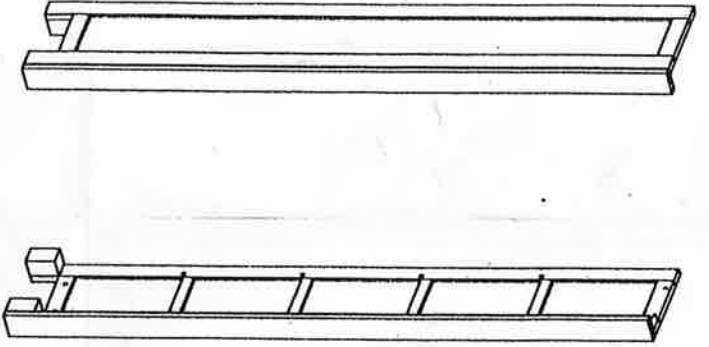
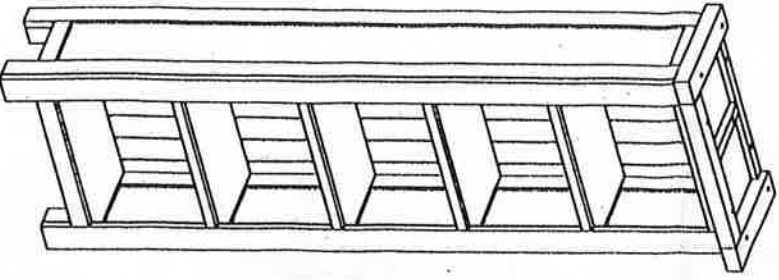
STEP 3



# ASSEMBLY INSTRUCTION SLIM BOOKCASE\_KD

No	LIST OF HARDWARE	FIG	Q.ty (pcs)
①	Bolts M6x30		24
②	Allen key K4		1
③	Round head Screws Ø3.5x15		24
④	Screws Ø4x20		2
⑤	Brackets		2
⑥	Tie		1

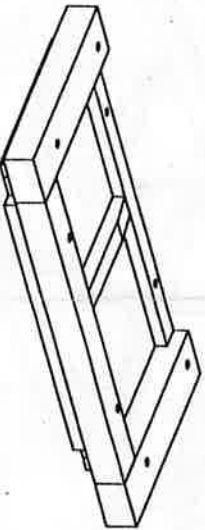
Screwdriver (not included) 



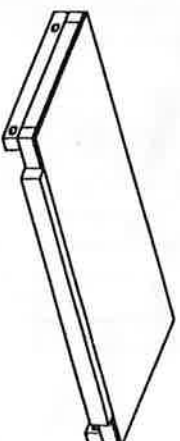
Ⓐ Side frame (Left - Right): x 2



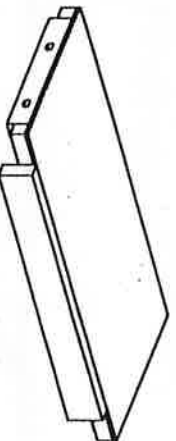
Ⓑ Back panel: x 1



Ⓒ Top Frame: x 1



Ⓓ Shelves: x4



Ⓔ Bottom Frame: x 1