






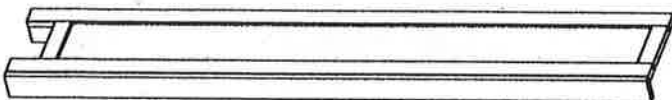
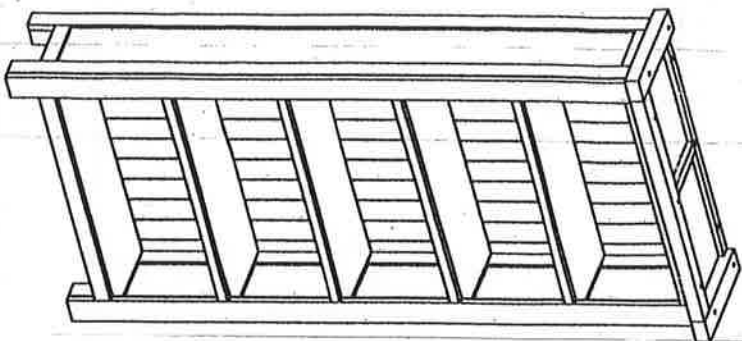
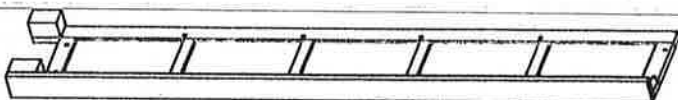


ASSEMBLY INSTRUCTION LARGE BOOKCASE_KD

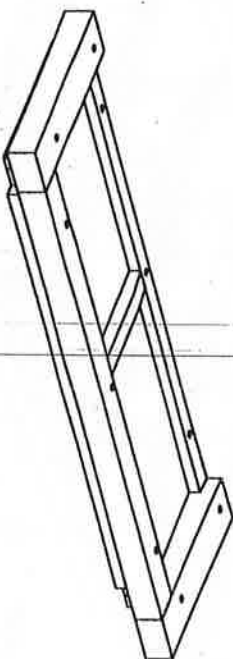
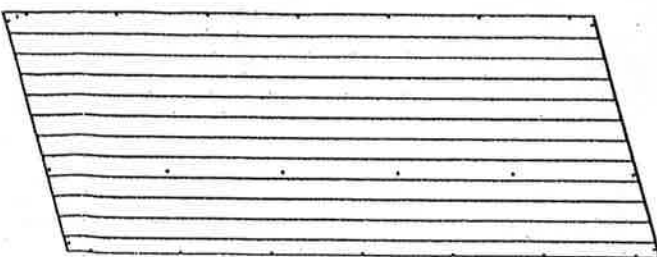
No	LIST OF HARDWARE	FIG	Qty (pcs)
①	Bolts M6x30		24
②	Allen key K4		1
③	Round head Screws Ø3.5x15		30
④	Screws Ø4x20		2
⑤	Brackets		2
⑥	Te		1
Screwdriver (not included)			



Ⓐ Side frame (Left - Right): x 2

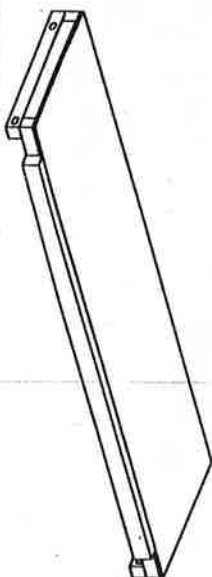


Ⓑ Back panel: x 1

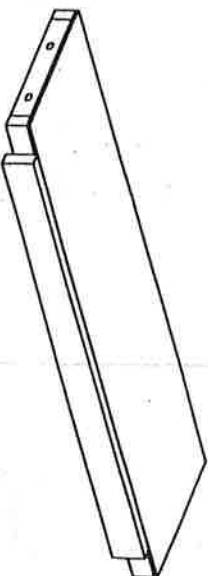


Ⓒ Top Frame: x 1

Ⓓ Shelves: x4

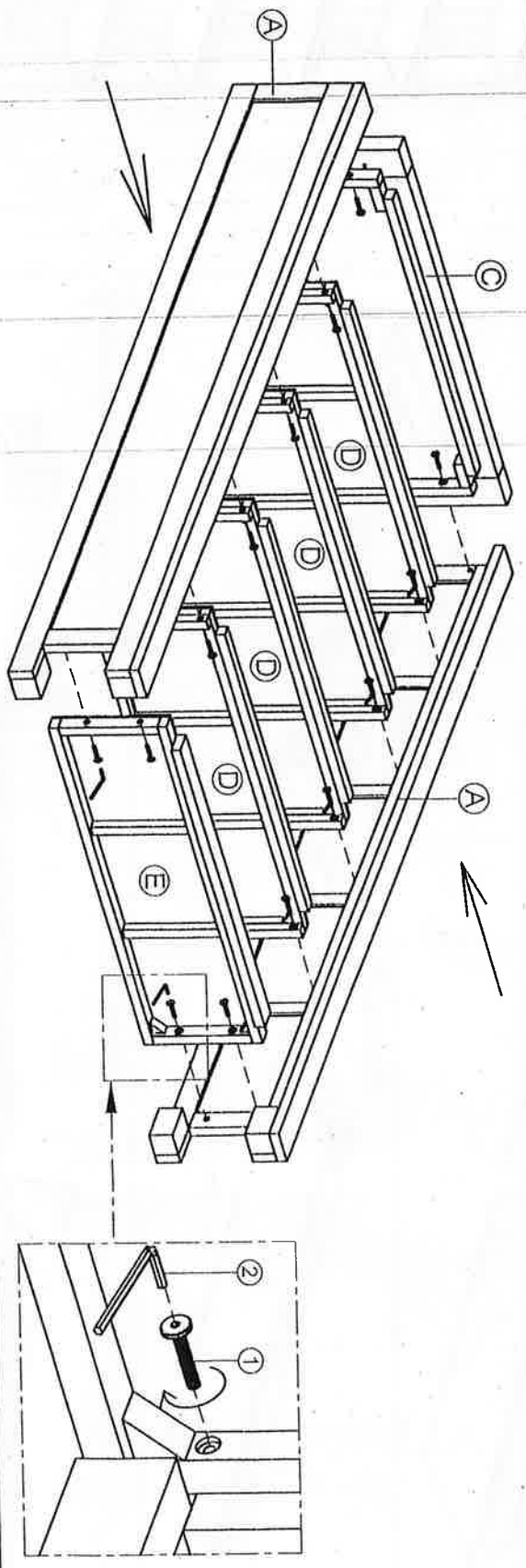


Ⓔ Bottom Frame: x 1

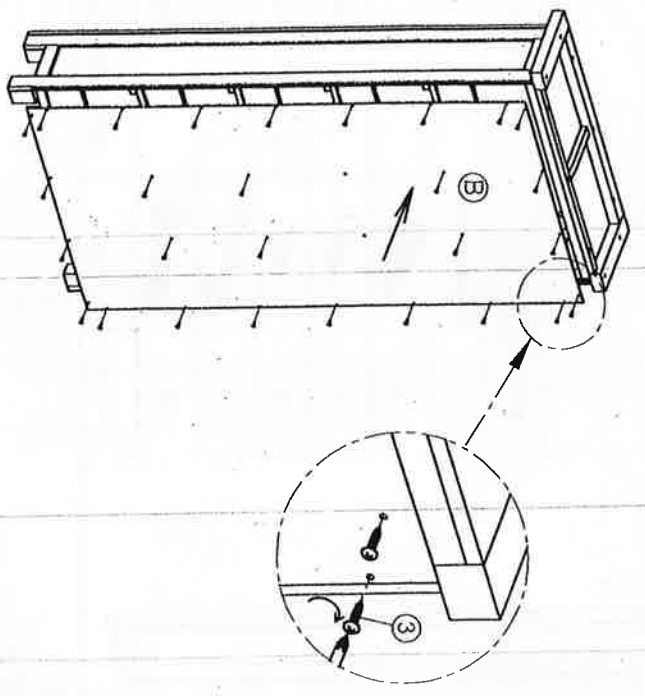


ASSEMBLY INSTRUCTION LARGE BOOKCASE_KD

STEP 1



STEP 2



STEP 3

