



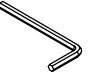

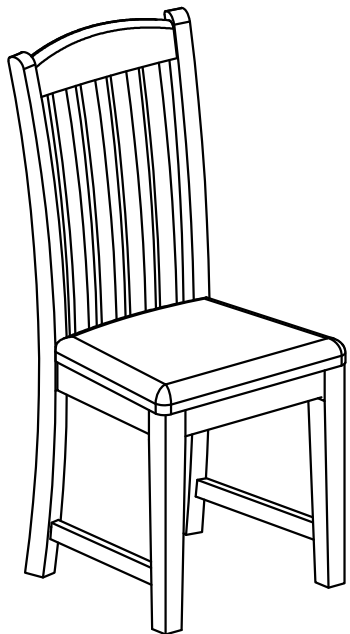
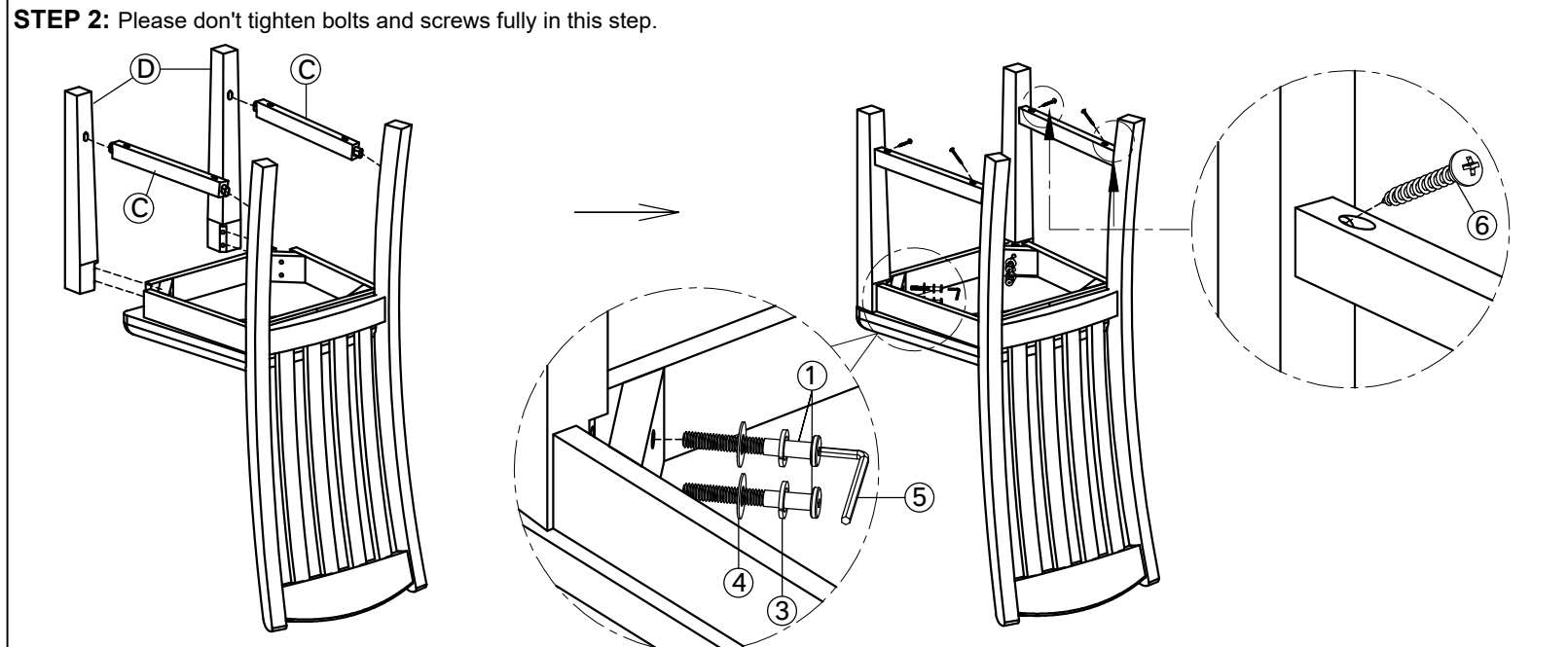
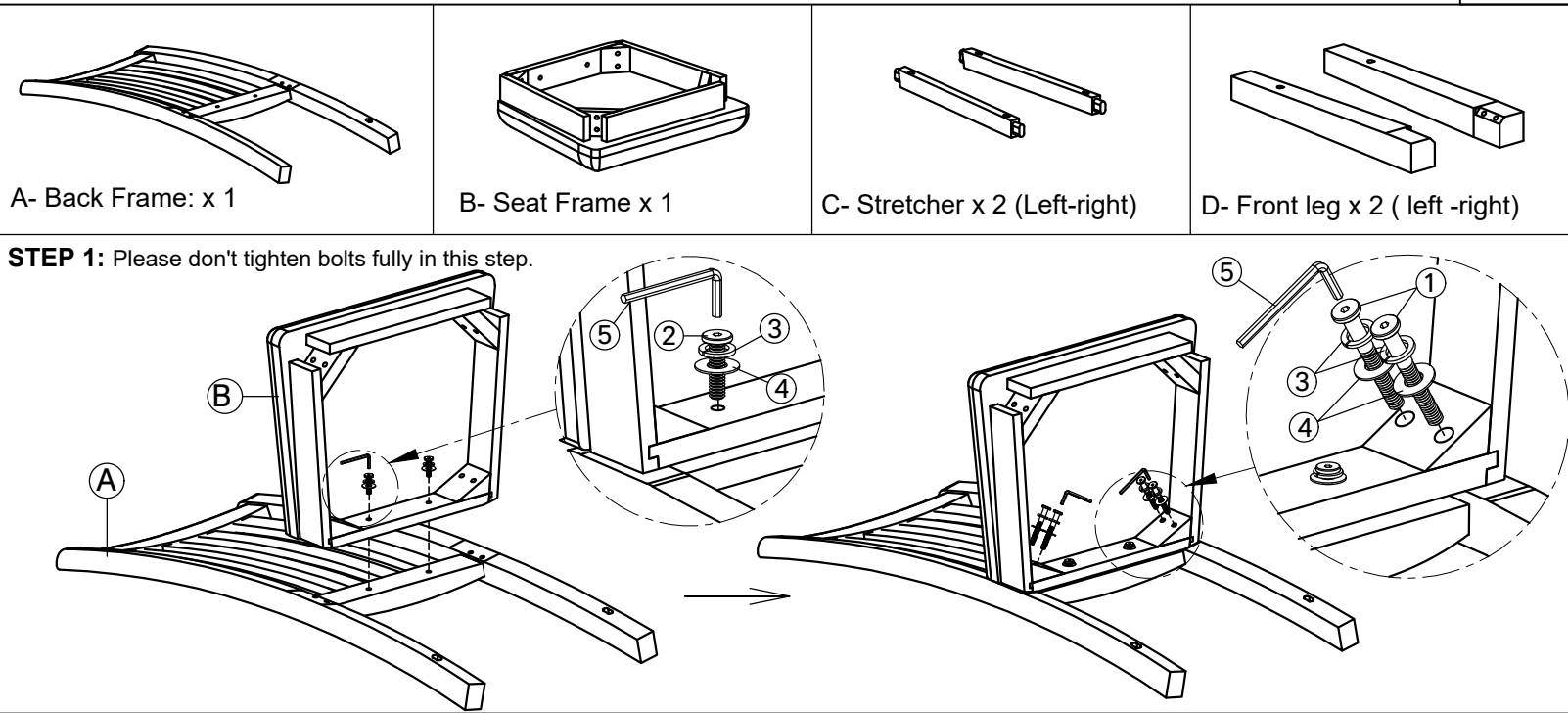


ASSEMBLY INSTRUCTION

G2159KD - DINING CHAIR WITH PU SEAT_KD

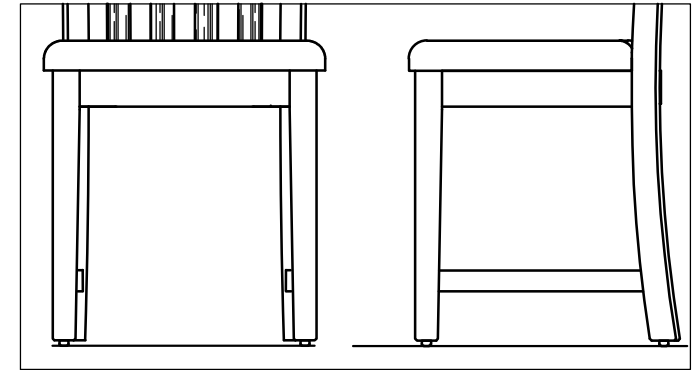
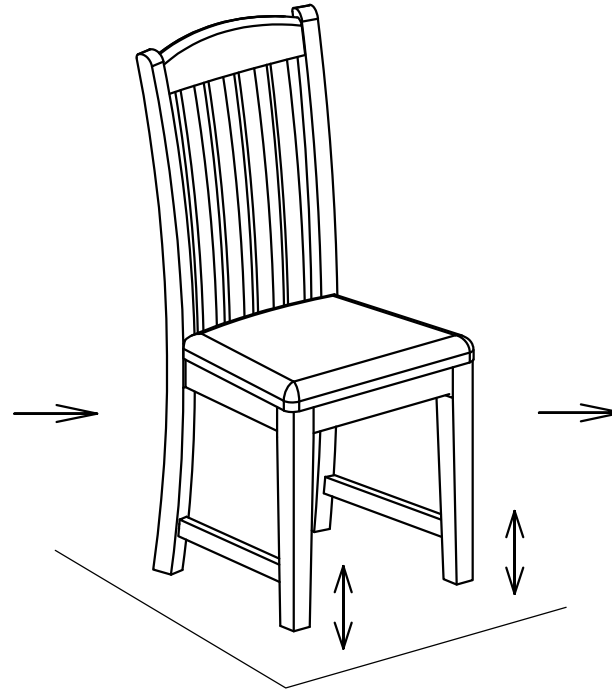
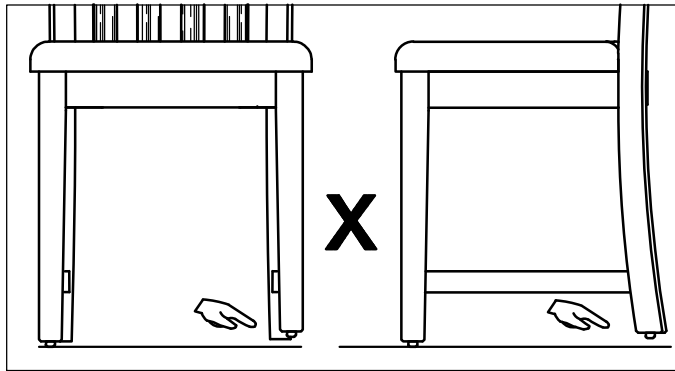
No	Name of Hardware	Q.ty
①	Bolts M6 x 70 	8
②	Bolts M8 x 40 	2
③	Spring Washers 	10
④	Flat Washers 	10
⑤	Allen key (K4) 	1
⑥	Round head Screws Ø4 x 50 	4



ASSEMBLY INSTRUCTION

G2159KD - DINING CHAIR WITH PU SEAT_KD

STEP 3: Check all legs are in the same level, as shown,
then tighten all bolts and screws fully.



FINAL

