








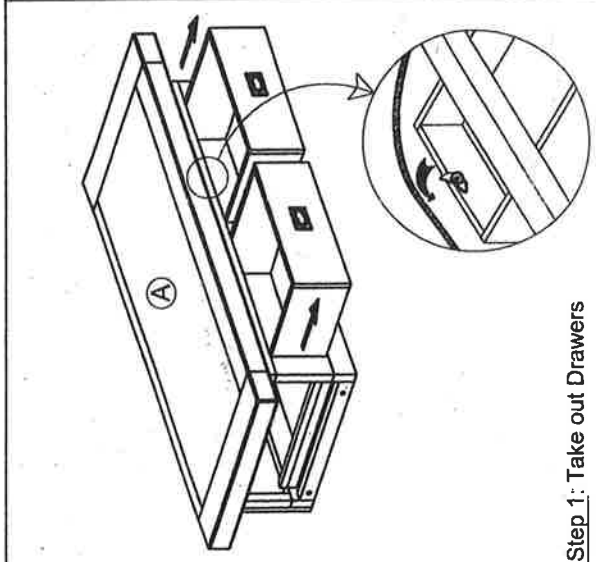
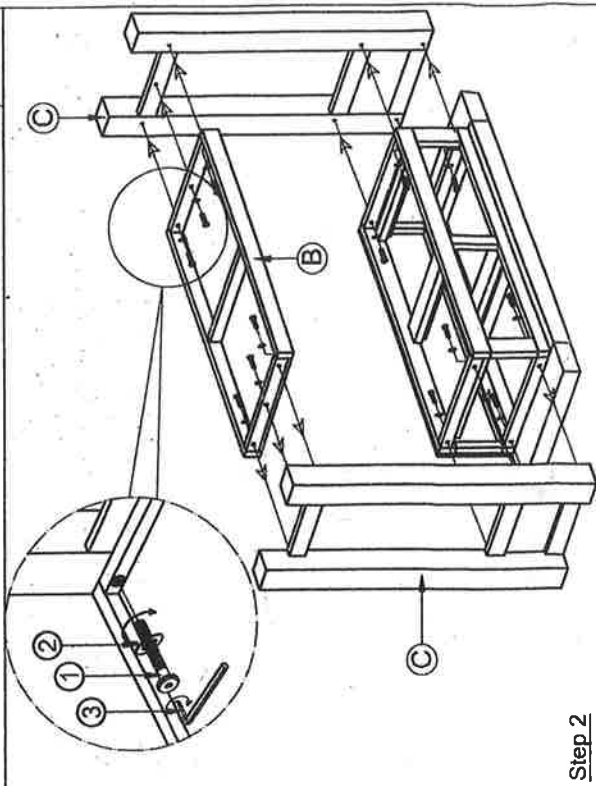


ASSEMBLY INSTRUCTION G2129 - CONSOLE TABLE

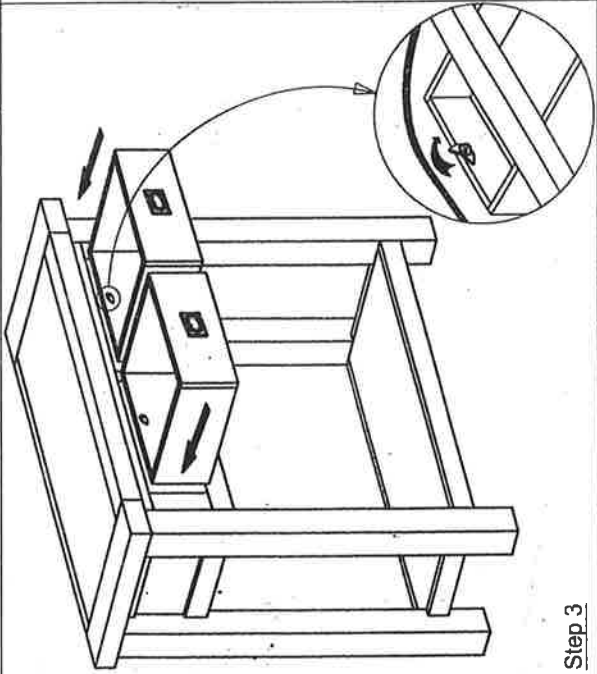
No	Name of Component	Q.ty
(A)		1
(B)		1
(C)		2
No	Name of Hardware	Q.ty
(1)	Bolt M6 x 35 	12
(2)	Washer Ø7/Ø15 x 1 	12
(3)	Allen key (K4) 	1
(4)	Bracket 	2
(5)	Tie 	1
(6)	Screw Ø4 x 20 	2



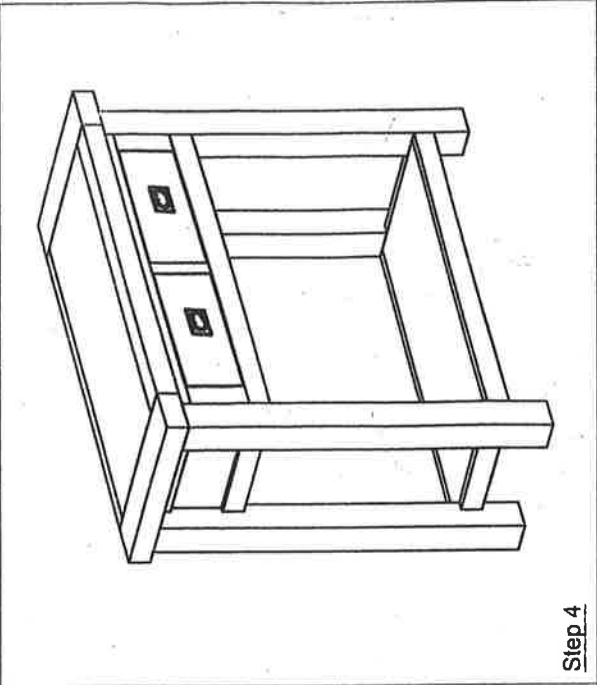
Step 1: Take out Drawers



Step 2



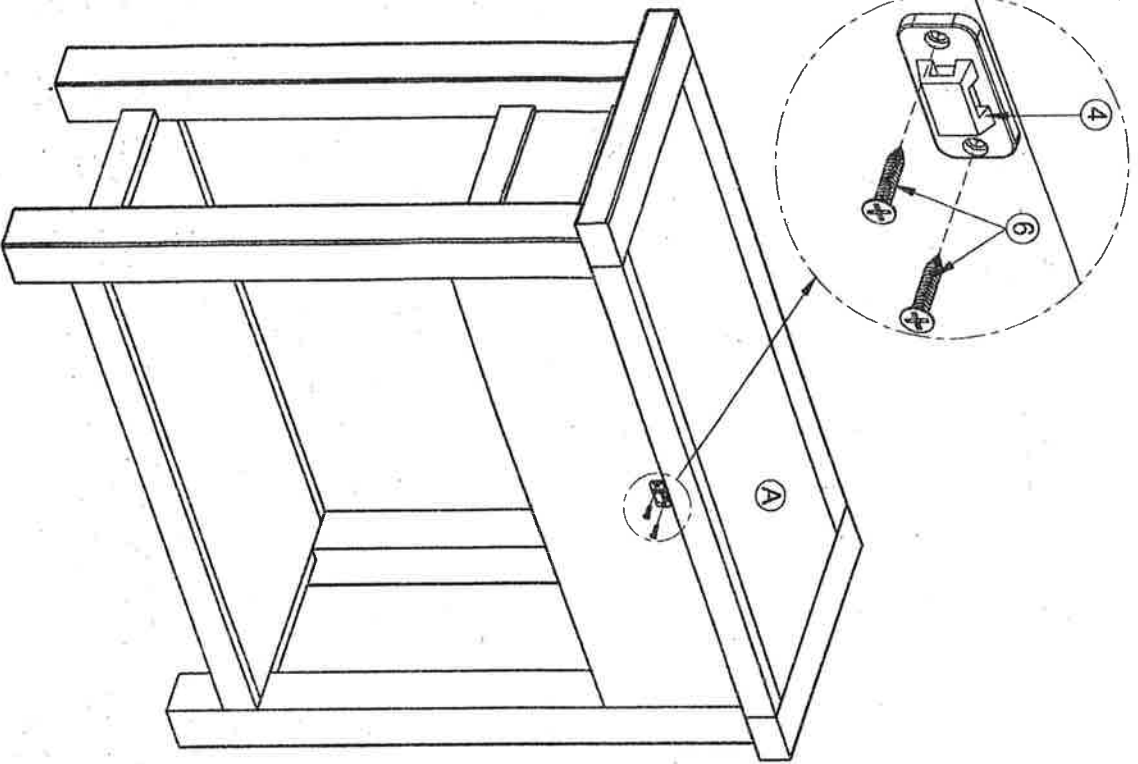
Step 3



Step 4

ASSEMBLY INSTRUCTION
G2129 - CONSOLE TABLE

Step 5



FINAL

