

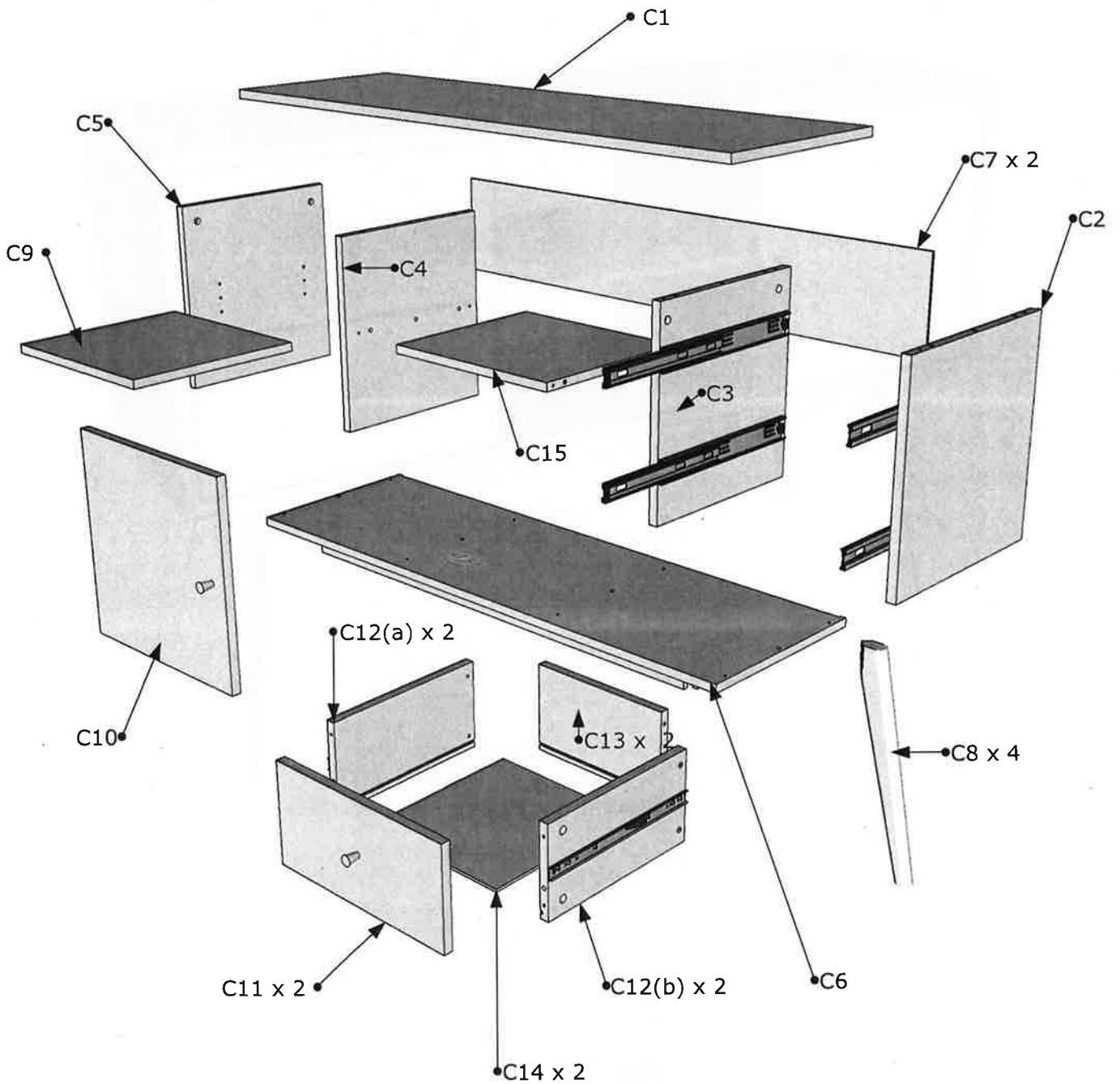
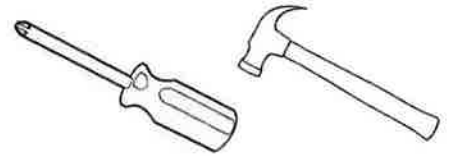
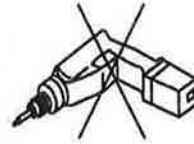
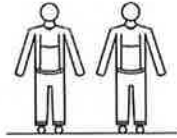
Sideboard



Sideboard


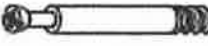

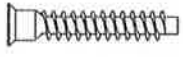



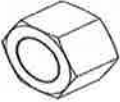






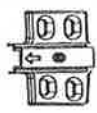


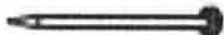
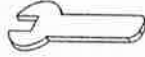






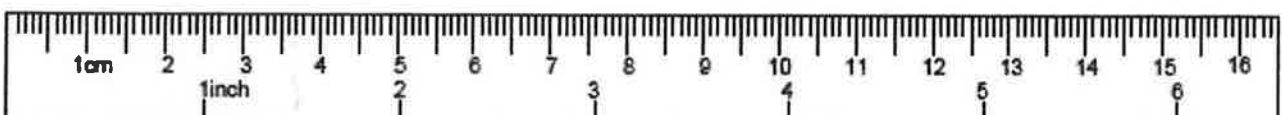
120 min


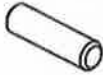




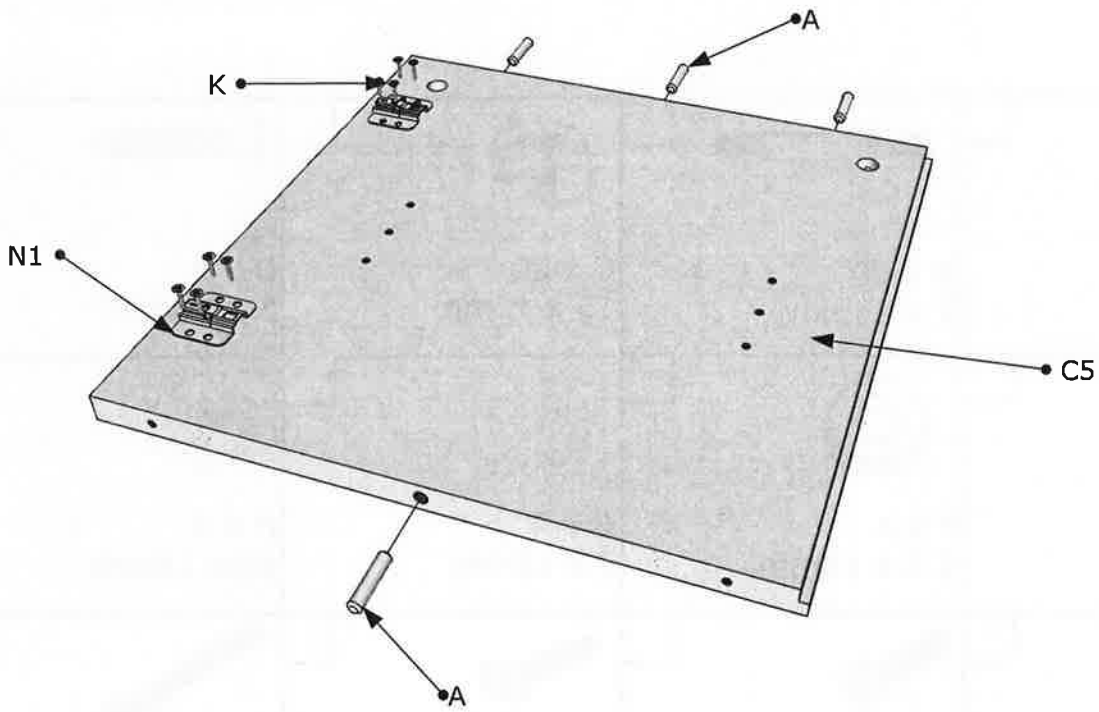
Sideboard







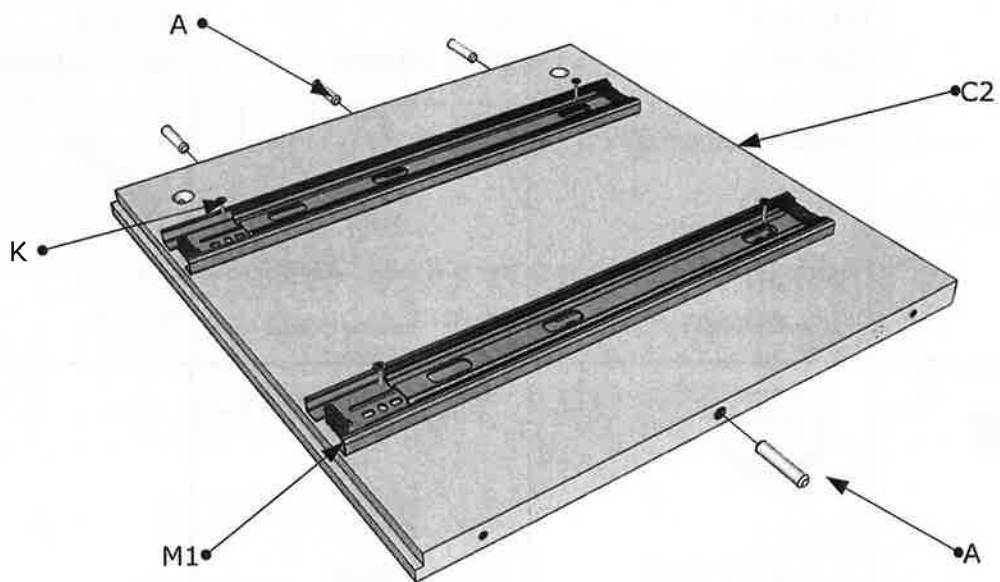
 <p>A x 28 8 x 30mm</p>	 <p>B x 20 7 x 45mm</p>	 <p>C x 20 15 x 12mm</p>	 <p>D x 8 5 x 50mm</p>
 <p>E x 4 M8 x 70</p>	 <p>F x 4 1.5 x 16mm</p>	 <p>G x 4 2 x 15mm</p>	 <p>H x 4 M8x 15mm</p>
 <p>I x 3 25 x 20Dia</p>	 <p>J x 3 M4 x 25mm</p>	 <p>K x 28 4 x 16mm</p>	 <p>L x 8 4 x 35mm</p>
 <p>M1 x 4 350mm</p>	 <p>M2 x 4 350mm</p>	 <p>N1 x 2 30 x 35mm</p>	 <p>N2 x 2 50 x 100mm</p>
 <p>O x 4 5 x 10mm</p>	 <p>P x 48 1 x 10mm</p>	 <p>T1 x 1 12 mm</p>	 <p>T2 x 1 4 mm</p>
 <p>Z x 1 15 x 1 mm</p>	 <p>Z1 x 1 1.5 x 12 mm</p>	 <p>Z2 x 1 4 x 12 mm</p>	




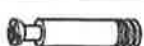



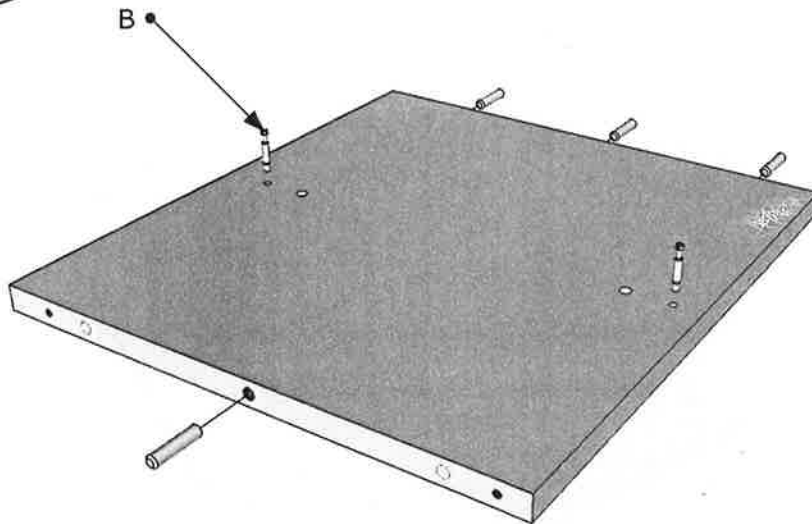
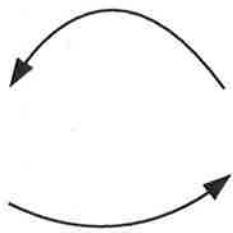
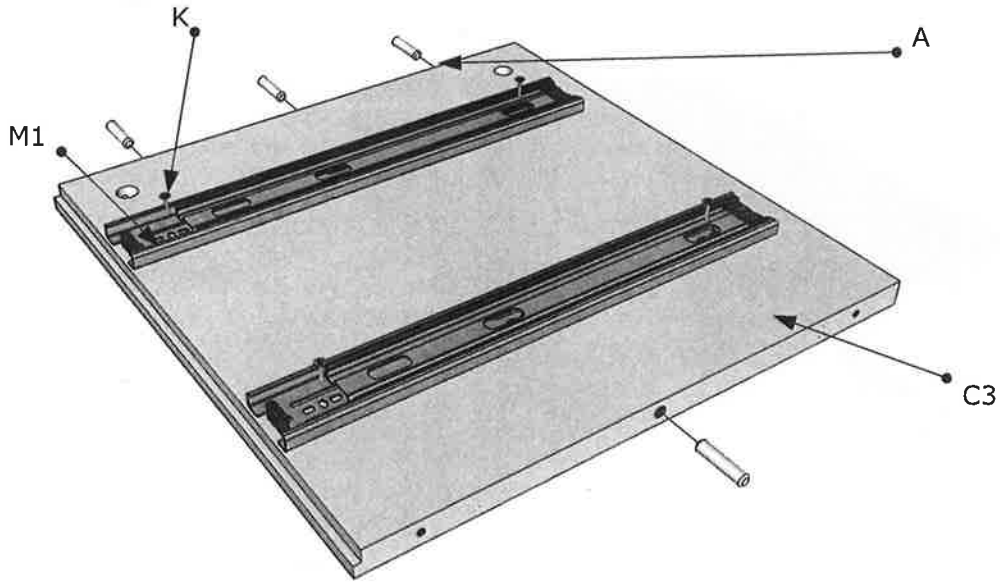
<h1>1</h1>				
	N1 x 2	A x 4	k x 8	





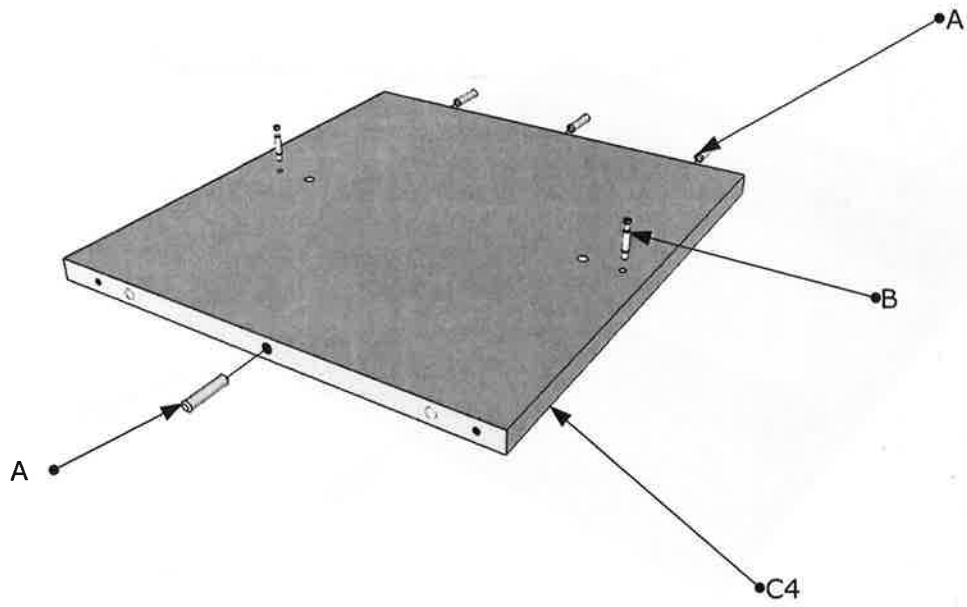
<h1>2</h1>				
	M1 x 2	A x 4	K x 4	





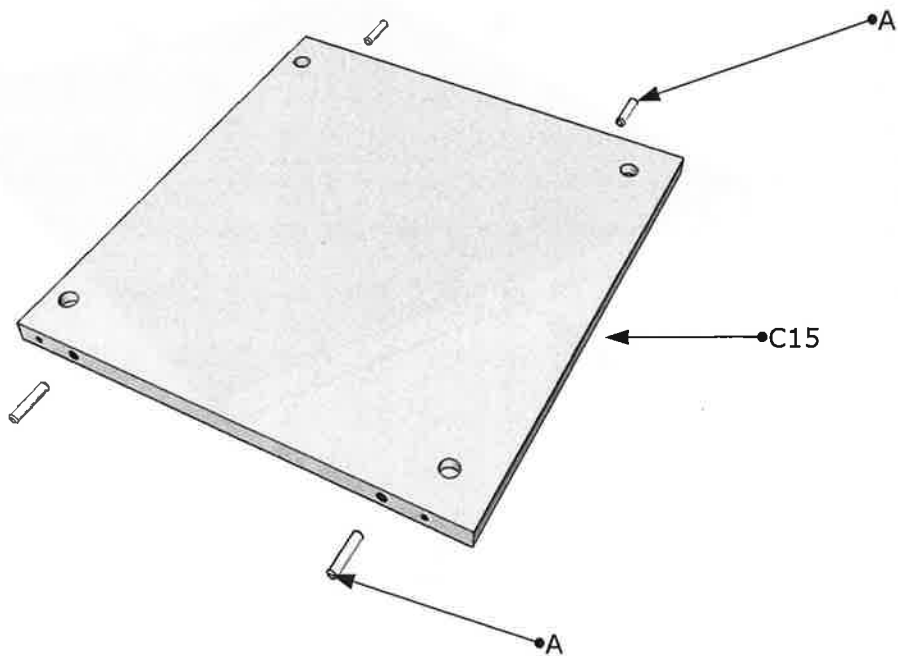
<h1>3</h1>					
	M1 x 2	A x 4	K x 4	B x 2	








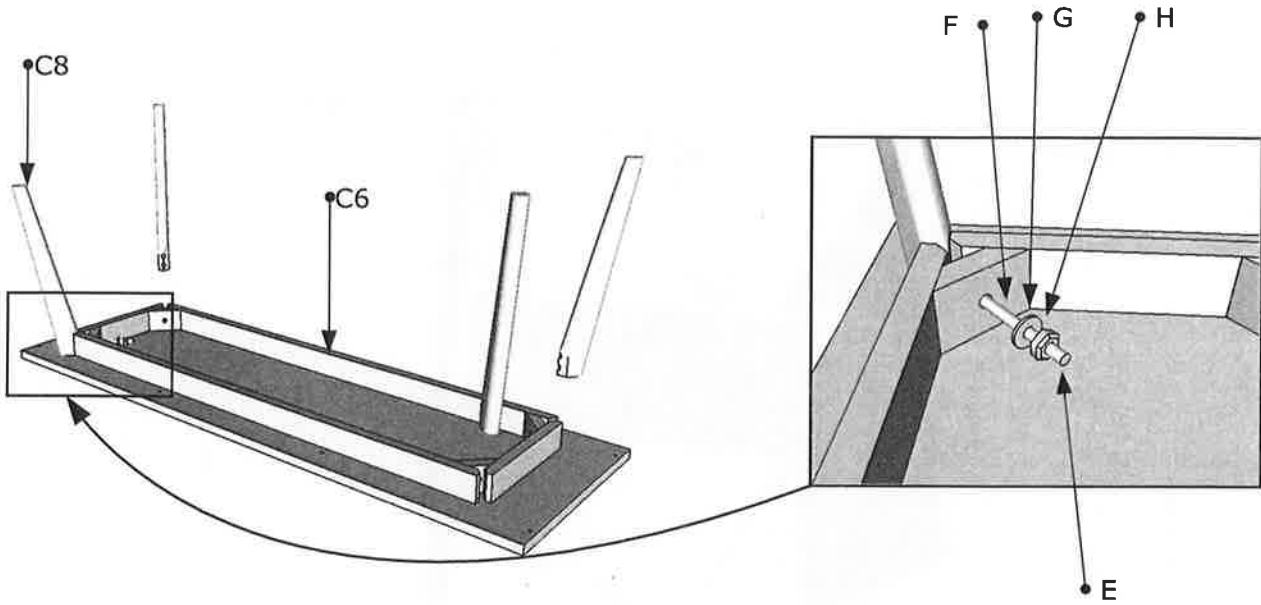
<h1>4</h1>	 A x 4 B x 2	
------------	---	---



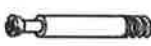

<h1>5</h1>	 A x 4	
------------	--	---

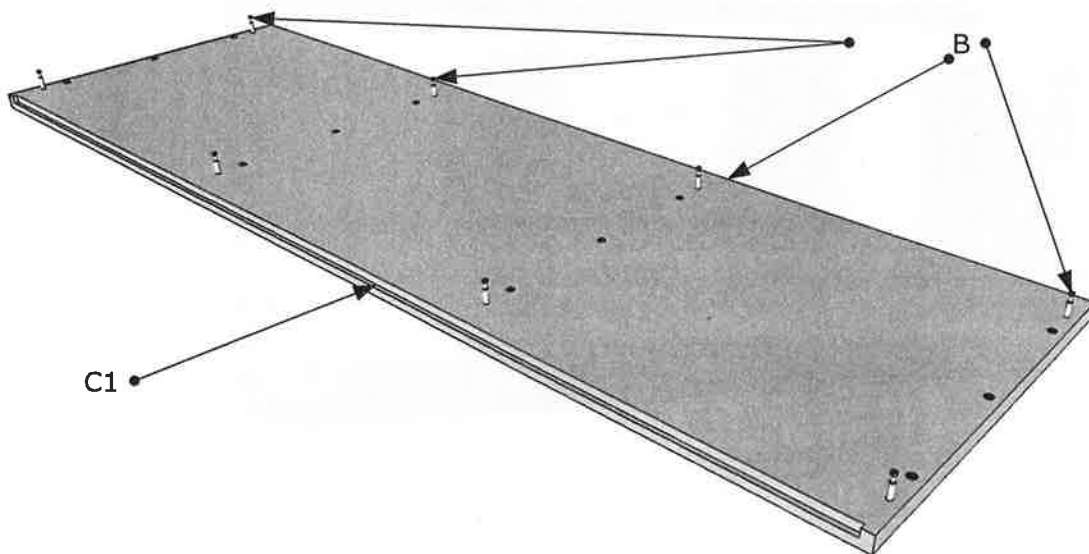




<h1>6</h1>					
	E x 4	F x 4	G x 4	H x 4	

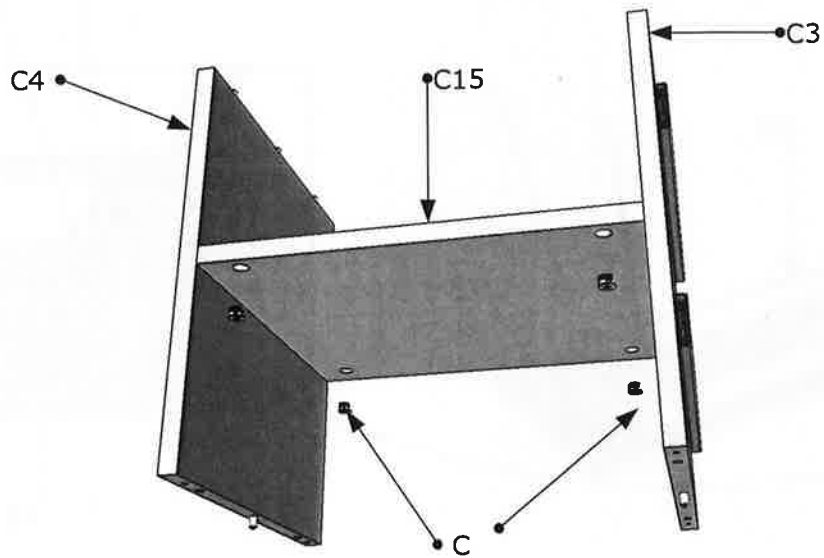



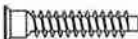
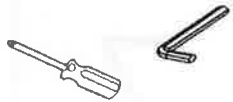
4x

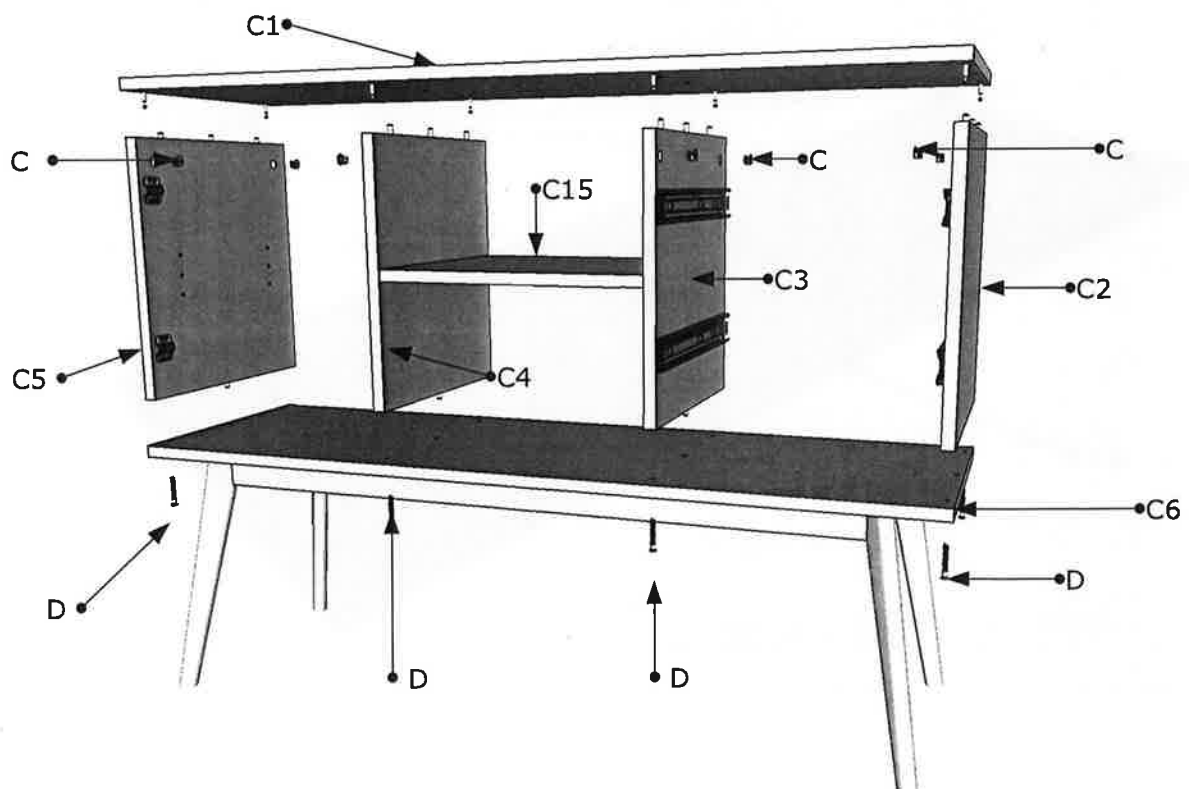
<h1>7</h1>		
	B x 8	



<h1>8</h1>	 C x 4	
------------	--	---



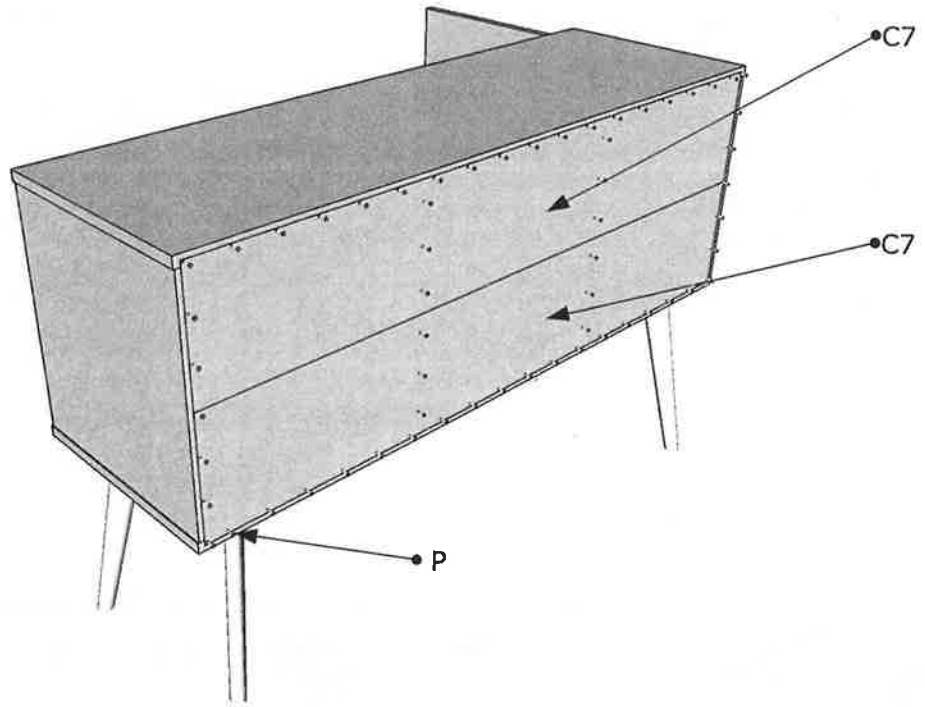
<h1>9</h1>	 C x 8	 D x 8	
------------	--	--	---



10



P x 48



11



I x 1



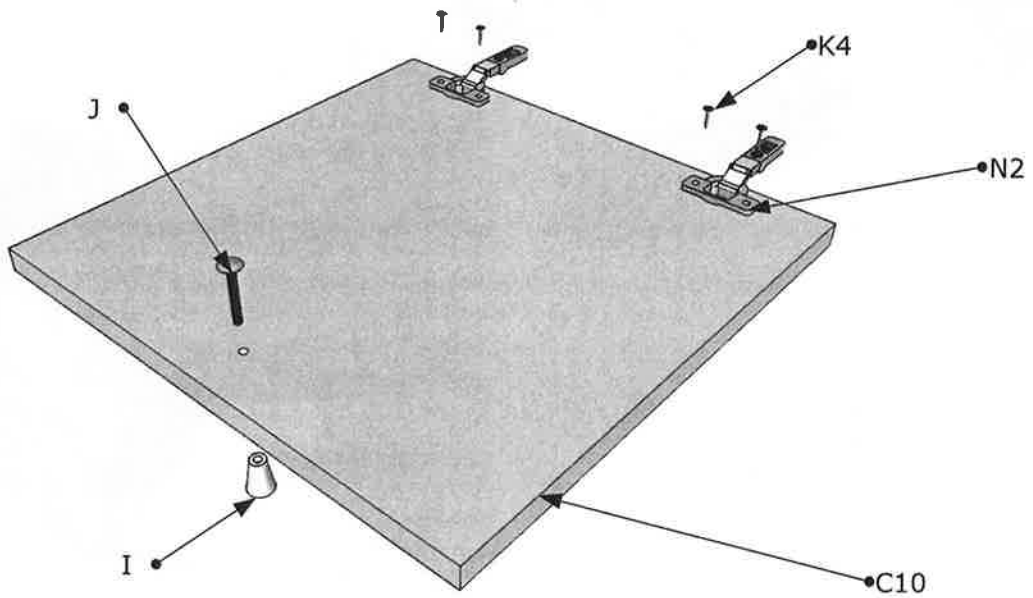
J x 1



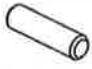



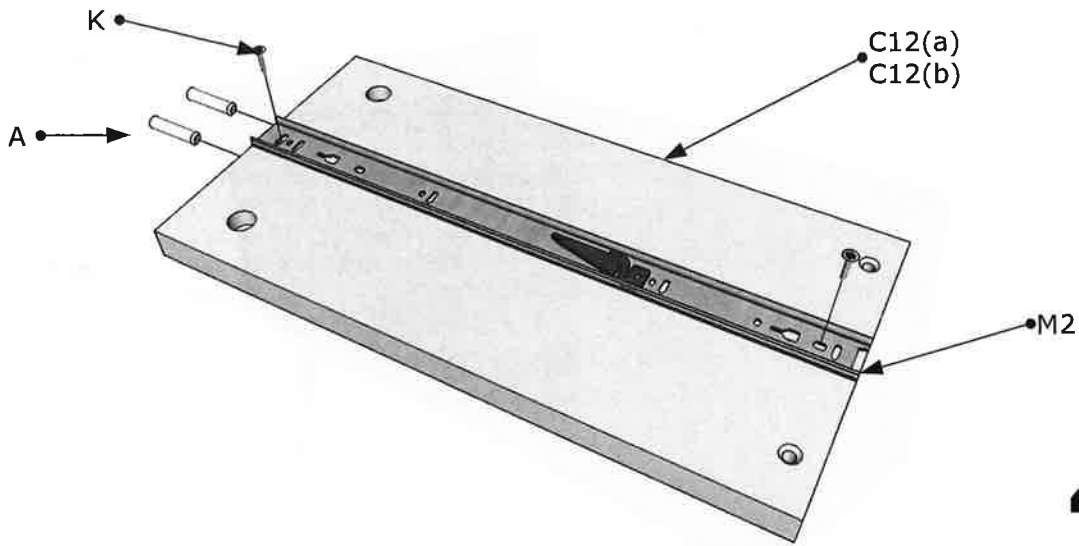
N2 x 2








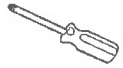
K x 4

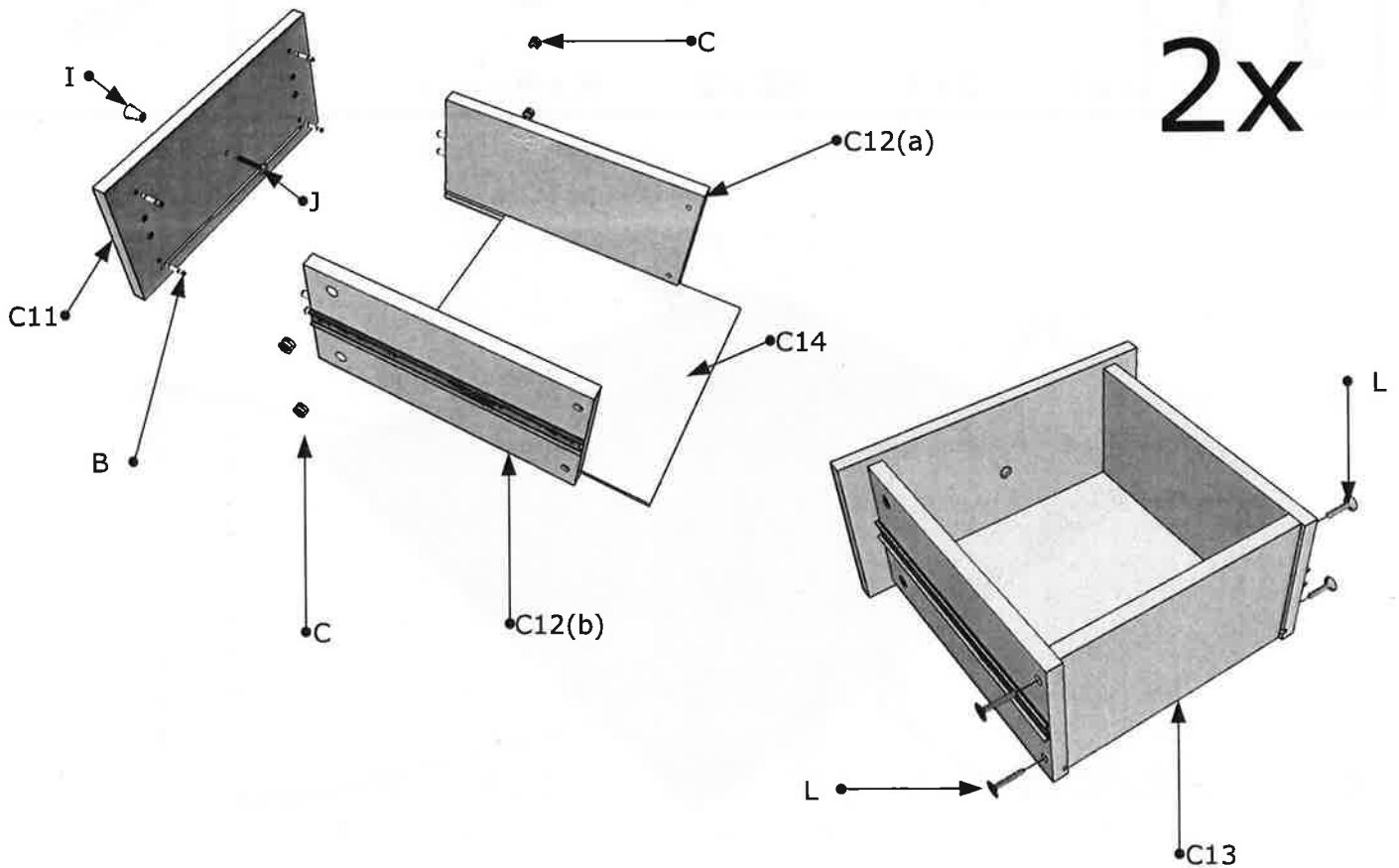


<h1>12</h1>	 K x 8	 M2 x 4	 A x 8	
-------------	--	---	--	---



4x

<h1>13</h1>	 L x 8	 I x 2	 J x 2	 C x 8	 B x 8	
-------------	---	---	---	---	--	--

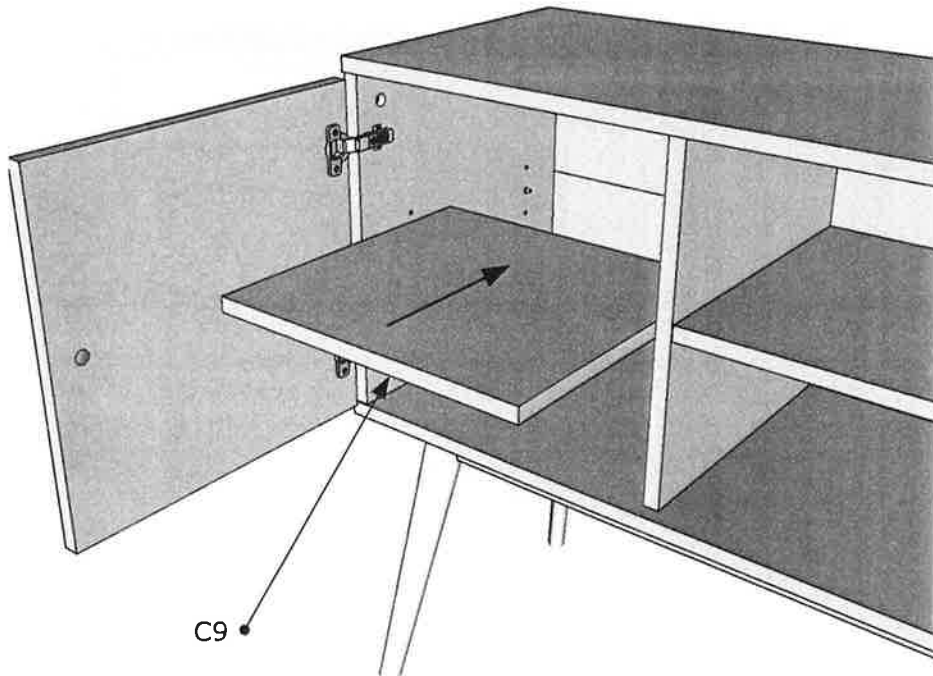
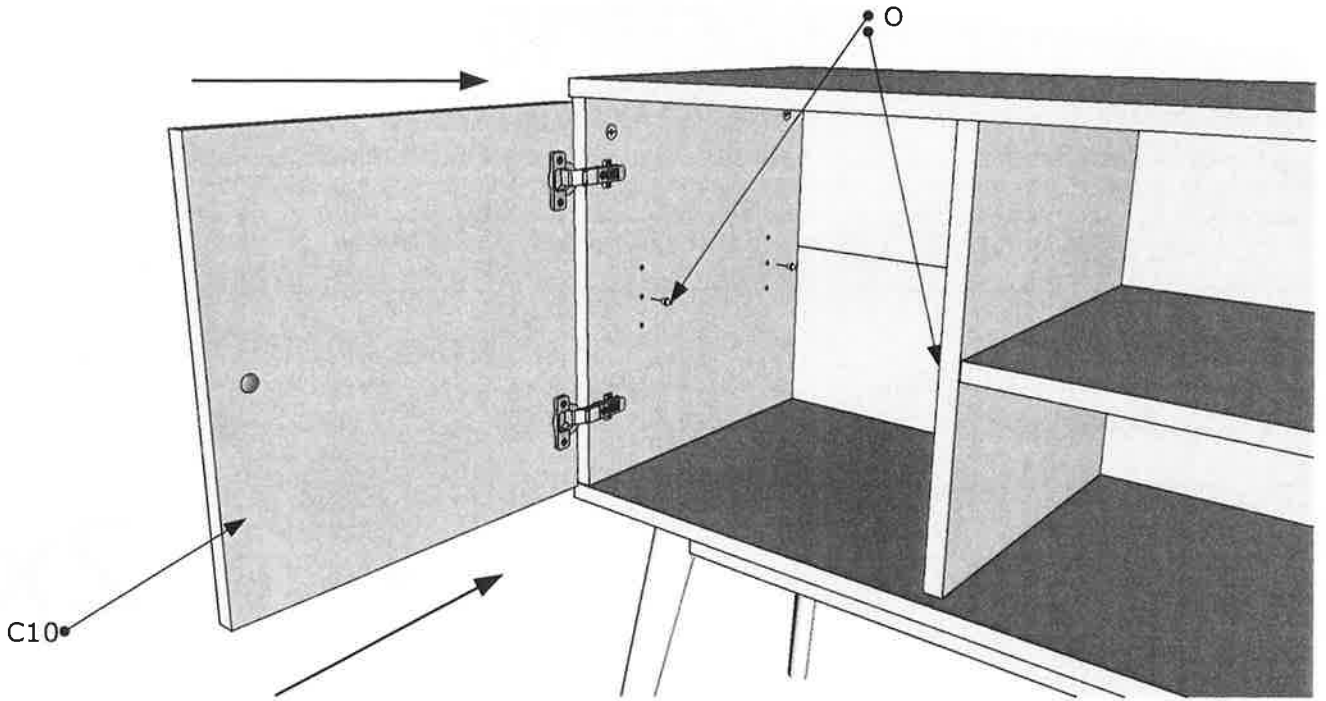


2x

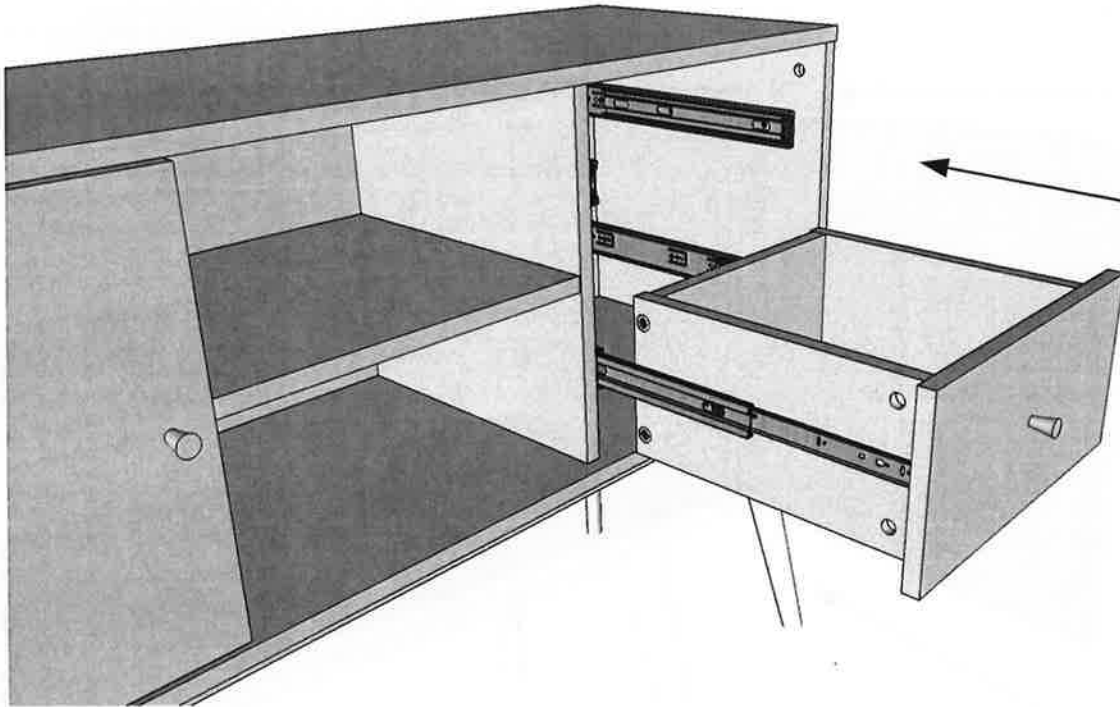
14



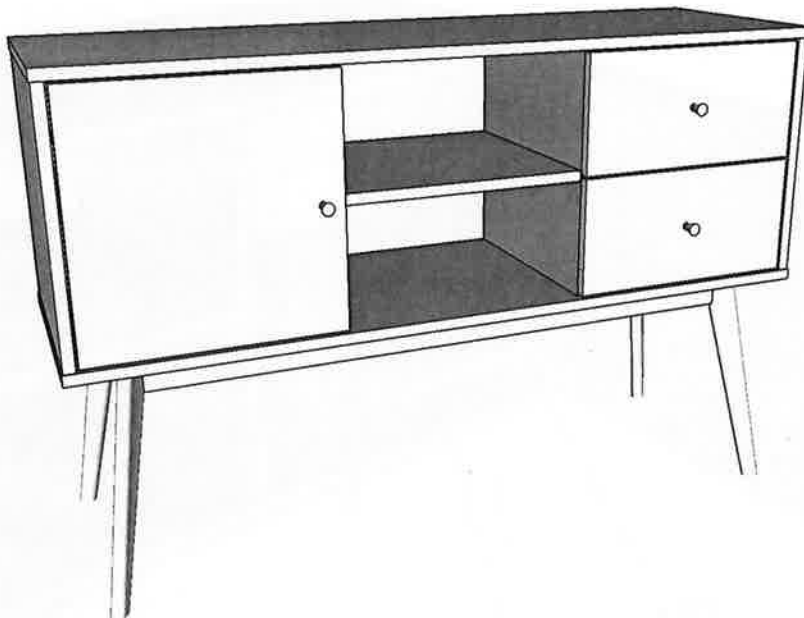
O x 4



15



2x



16



Z x 1



Z2 x 1



Z1 x 1

