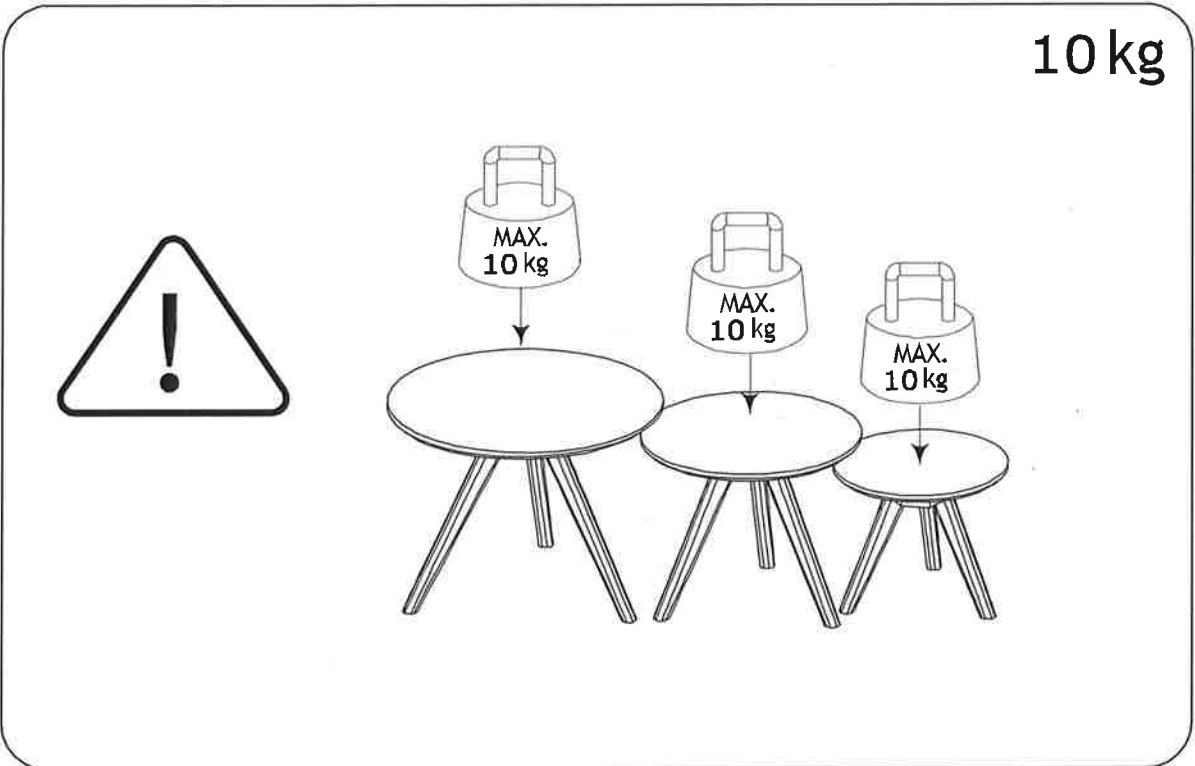
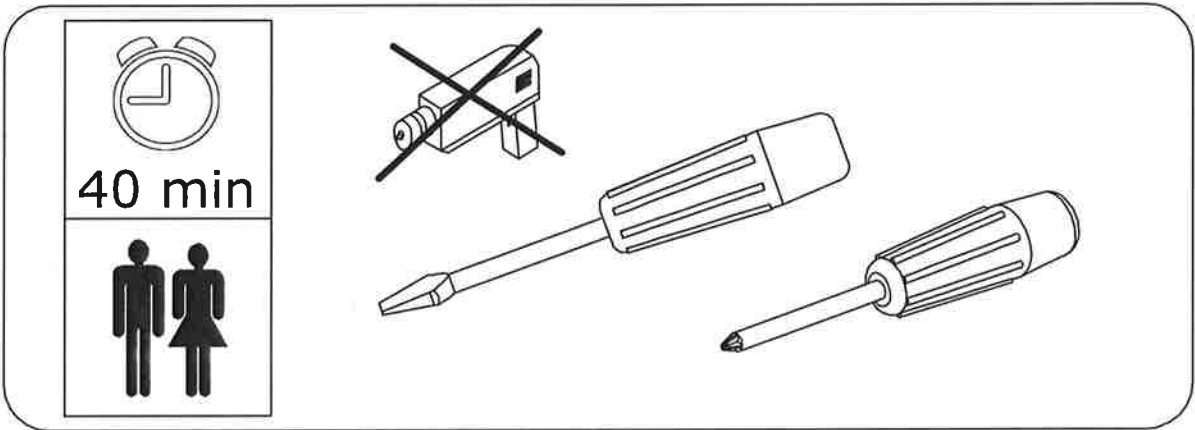
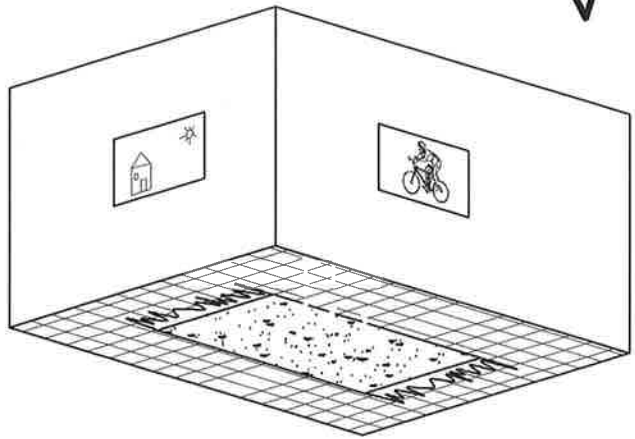
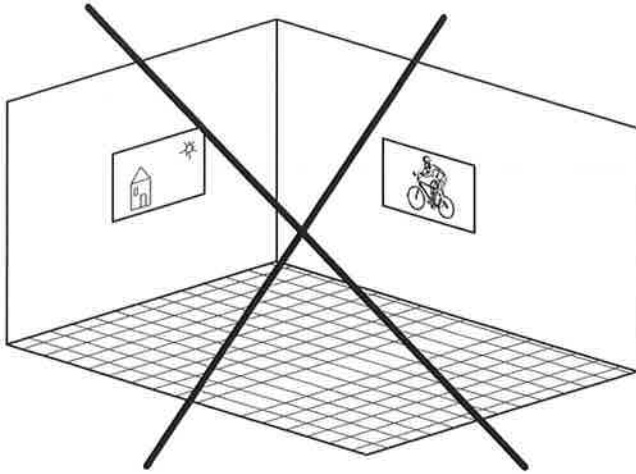
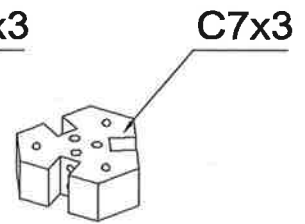
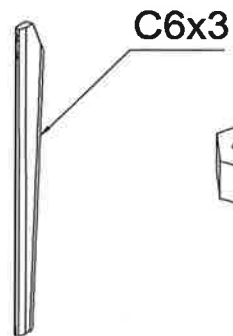
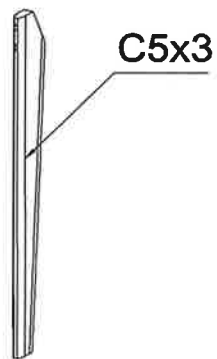
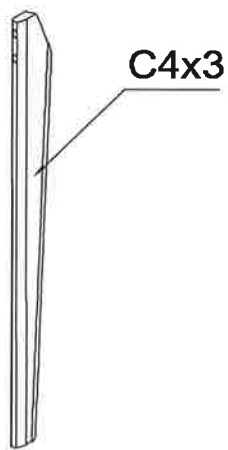
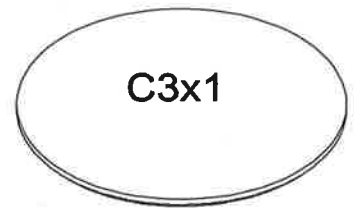
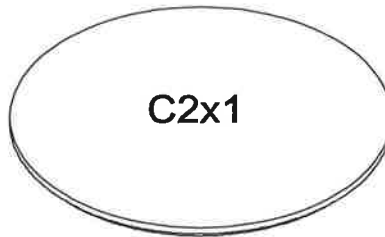
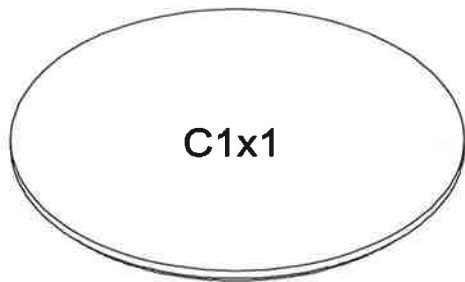


# Nest Table



**Important! Read carefully and retain for future reference**

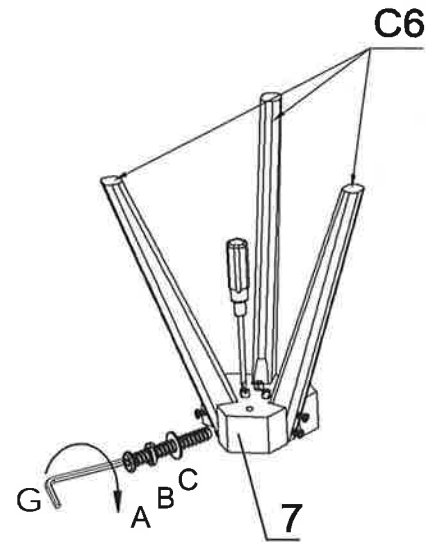
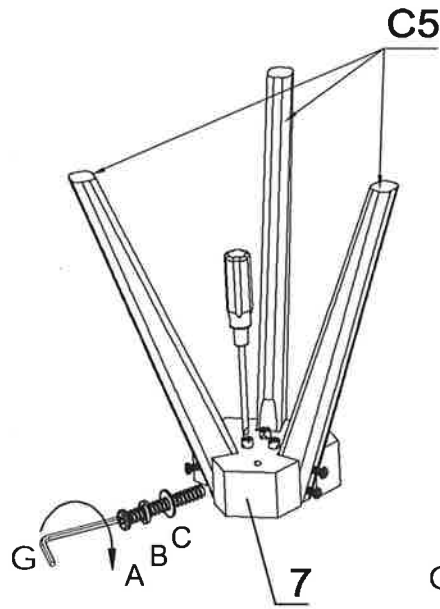
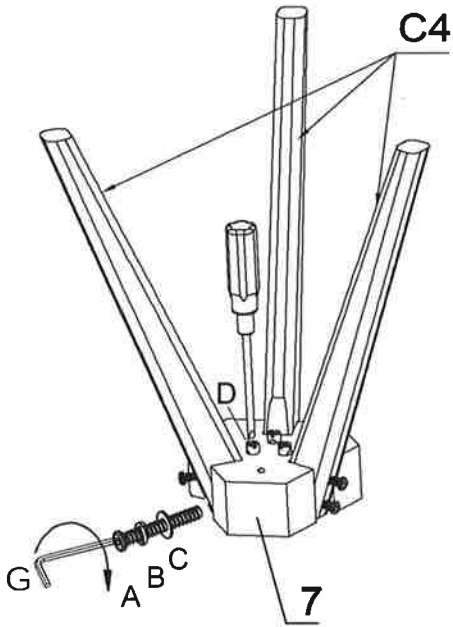




Ax27	Bx27	Cx27	Dx9	Gx1

In case you need spare parts please indicate model number and part number shown in the assembly instruction

# 1



# 2

