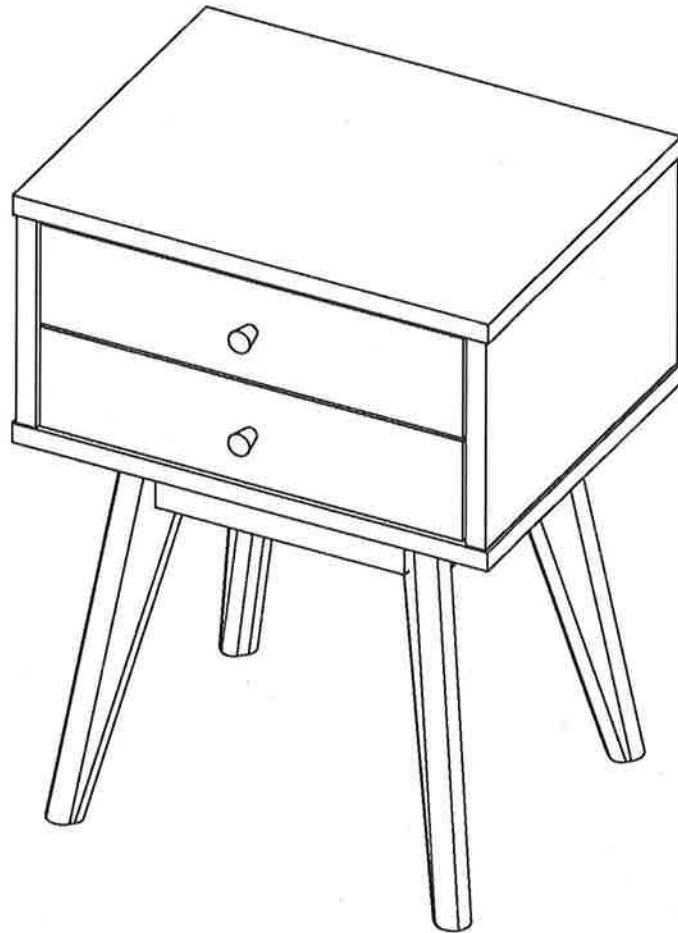


# Tower 2 drawer

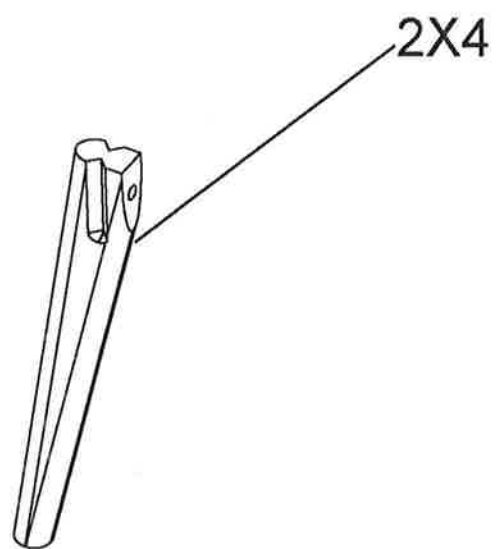
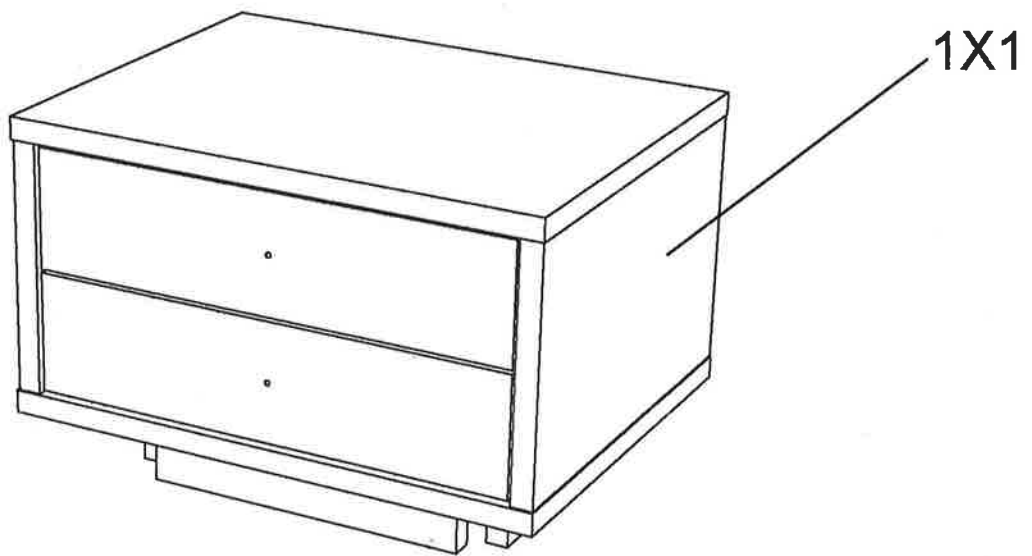
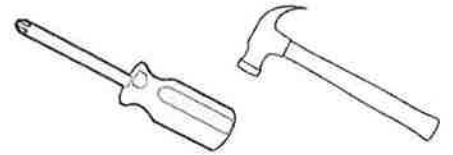
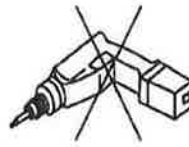
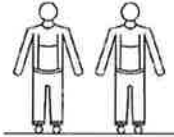
---



# Tower 2 drawer




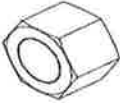


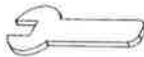


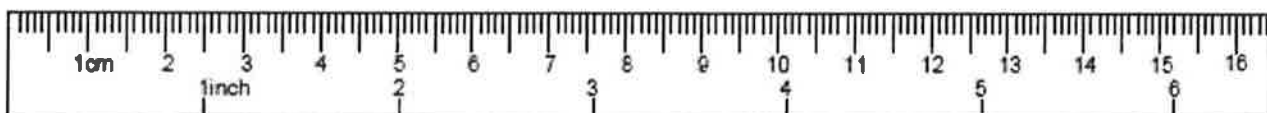
30 min



# Tower 2 drawer



 E x 4 M8x70mm	 F x 4 1.5 x 16mm	 G x 4 2 x 15mm	 H x 4 M8x15mm
 I x 2 25 x 20Dia	 J x 2 M4 x 25mm	 T1 x 1 12 mm	



1



E x 4



F x 4



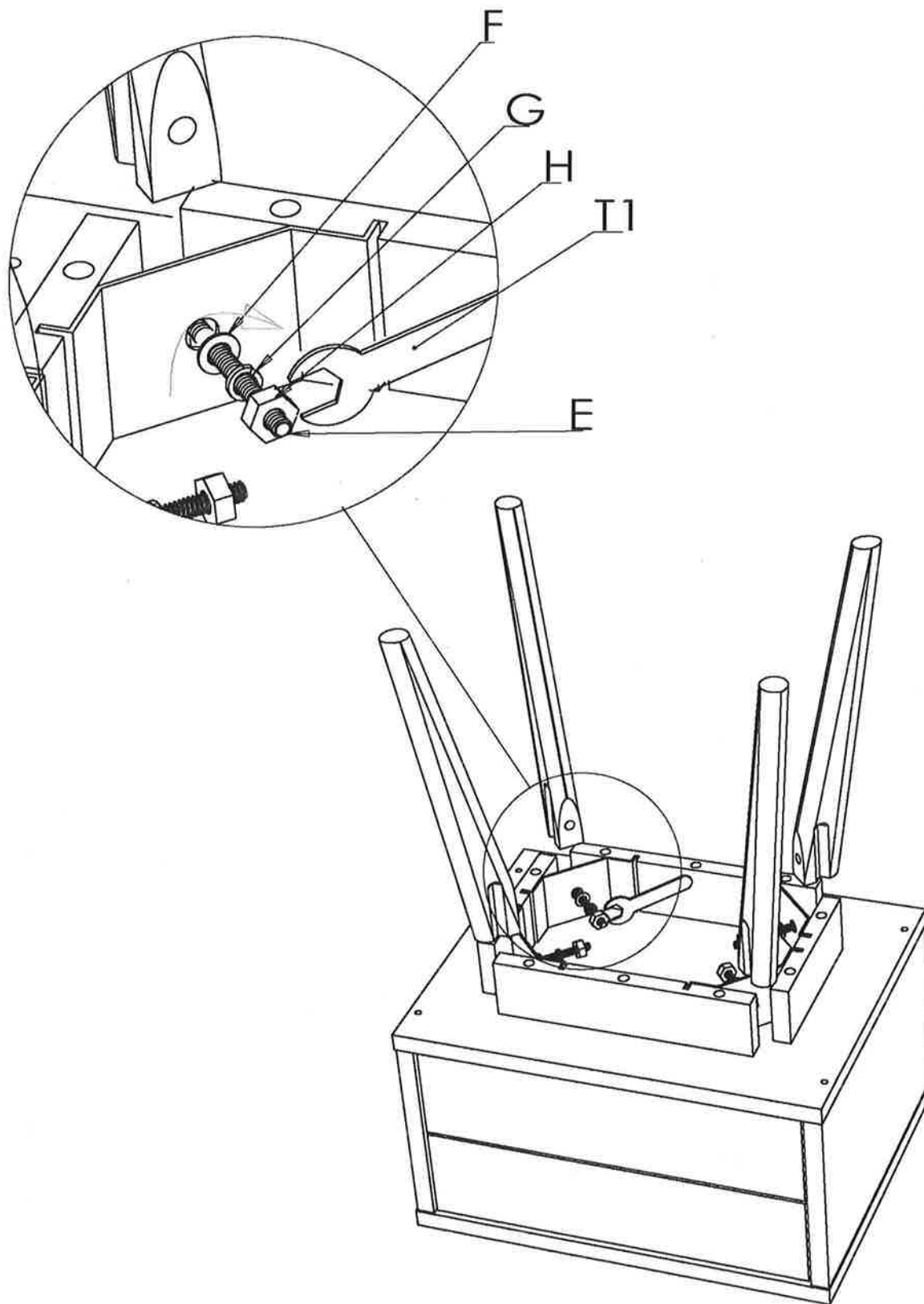
G x 4



H x 4



T1 x 1



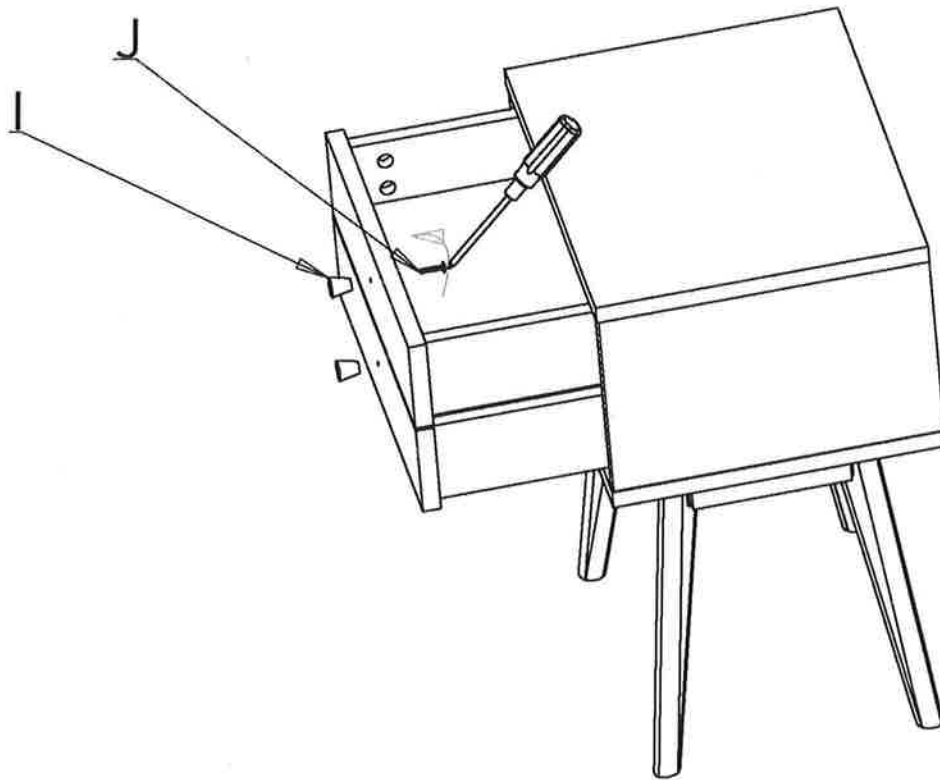
2



I x 2



J x 2



3

