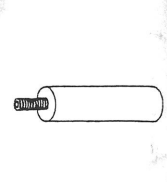
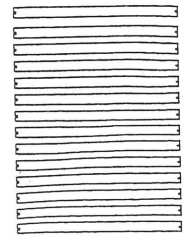
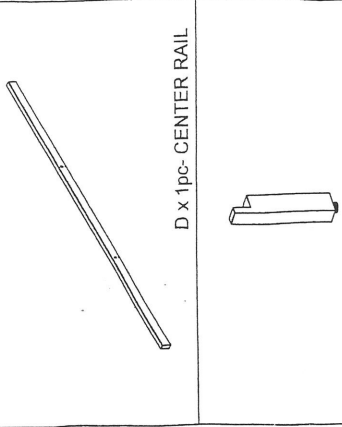
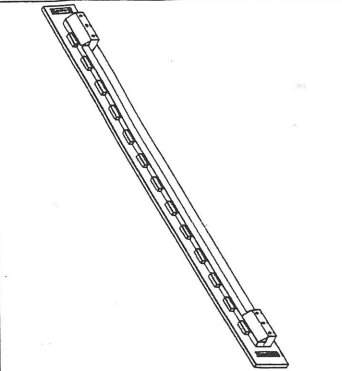
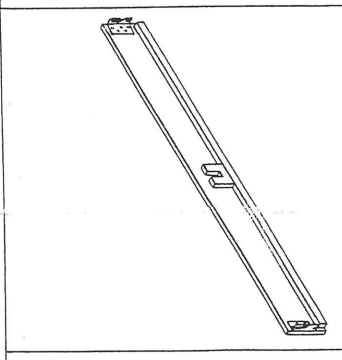
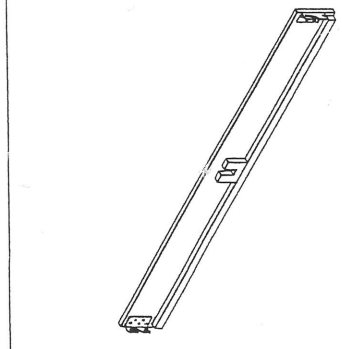
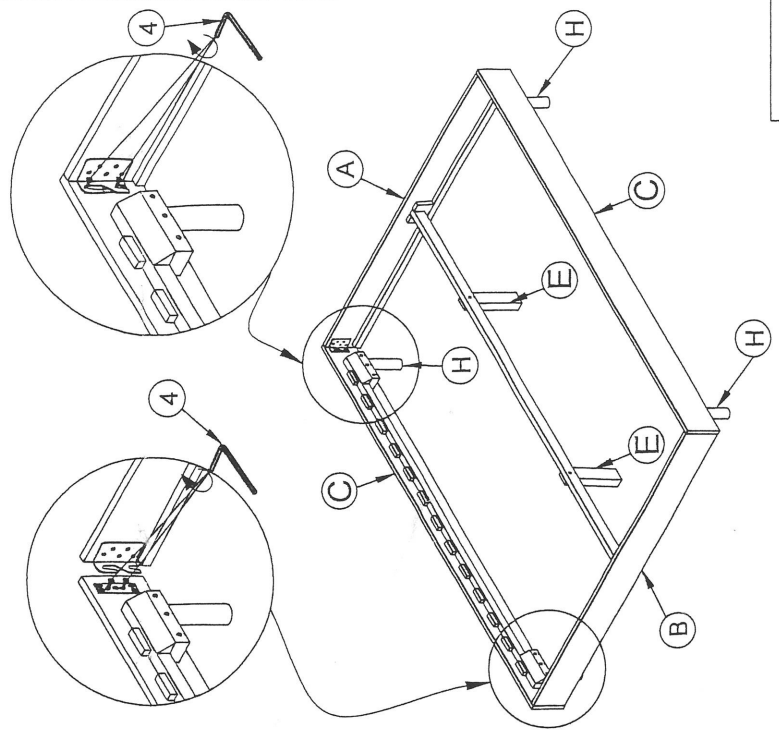
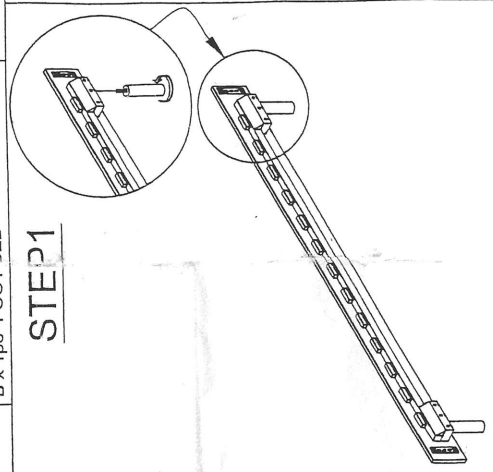


ASSEMBLY INSTRUCTION NIKKO BED

No	Name of Hardware	Q.ty
①	Bolts M6 x 45	2
②	Flat Washer M6 x 16	2
③	Screw M4x30	28
④	Allen Key(K4)	2

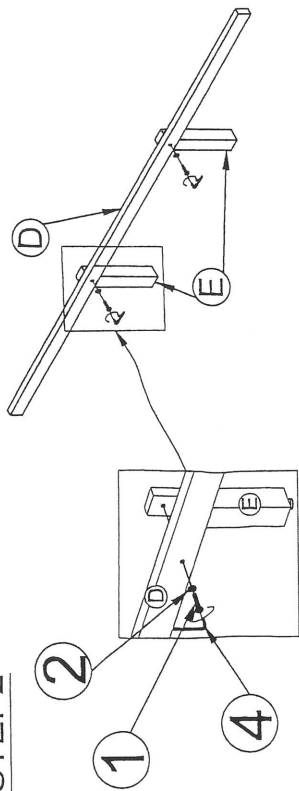


STEP 1

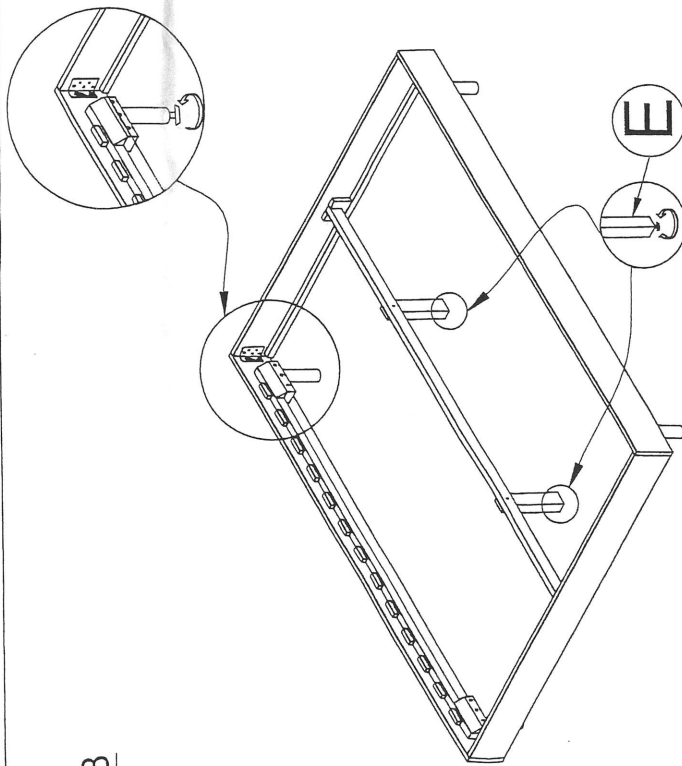


ASSEMBLY INSTRUCTION NIKKO BED

STEP2



STEP3



STEP4

