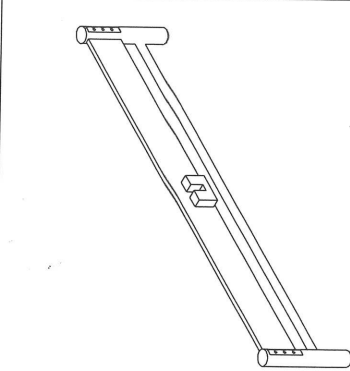
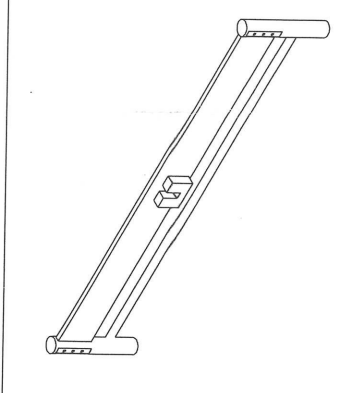


ASSEMBLY INSTRUCTION MEIKO BED

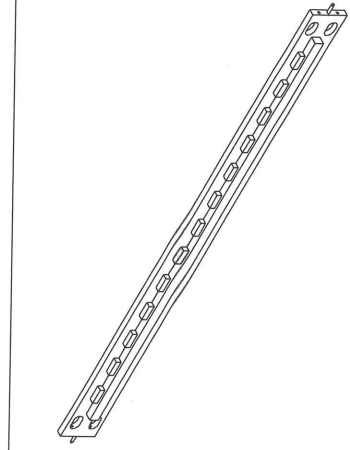
No	Name of Hardware	Qty
①	Bolts M6 x 45	2
②	Flat Washer M6 x 13	8
③	Flat Washer M6 x 16	2
④	Allen Key(K4)	1
⑤	Screw M4x30	28
⑥	Stud Bolts M6 x 80	8
⑦	Wrench K9	2
⑧	Nuts	8
⑨	C-type Washers	8



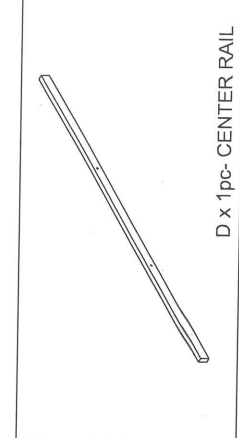
A x 1pc- HEAD BED



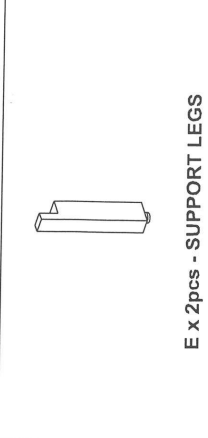
B x 1pc- FOOT BED



C x 2pcs- SIDE BED

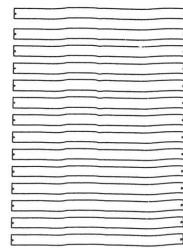


D x 1pc- CENTER RAIL

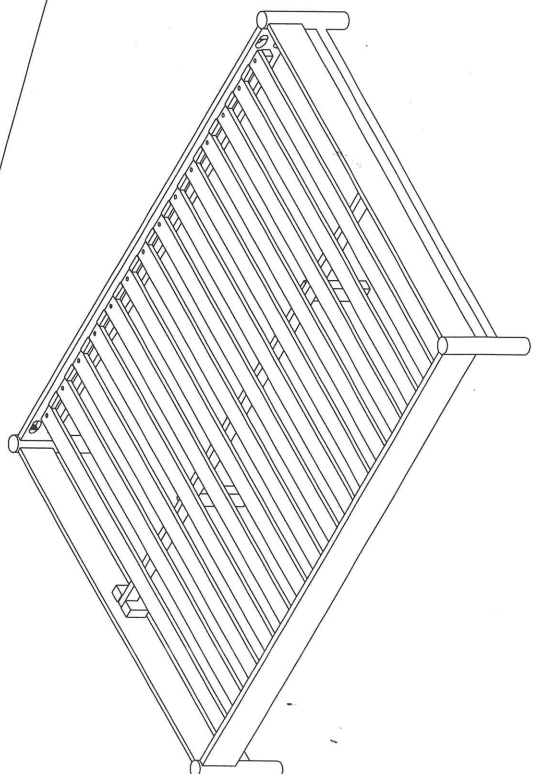
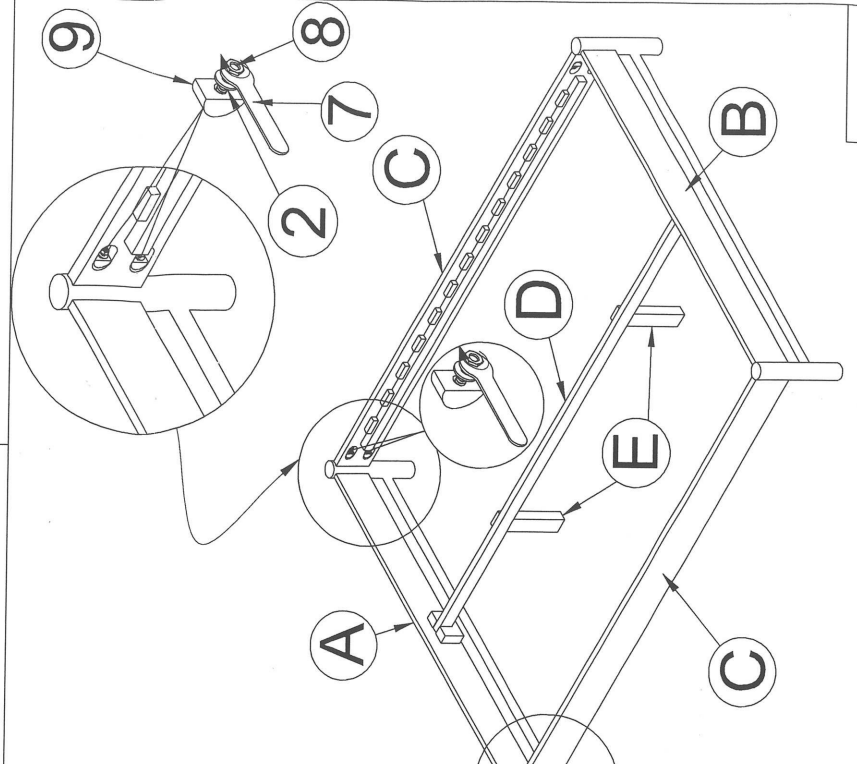
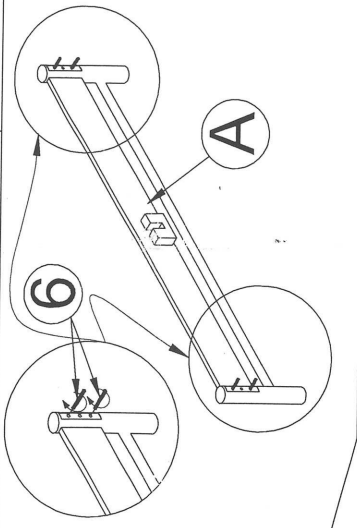


E x 2pcs - SUPPORT LEGS

STEP1

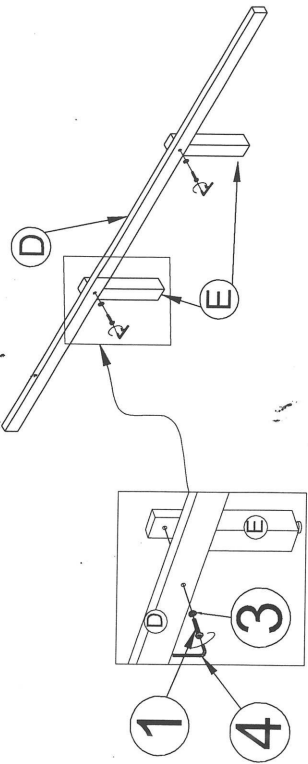


F x 14pcs- SLAT

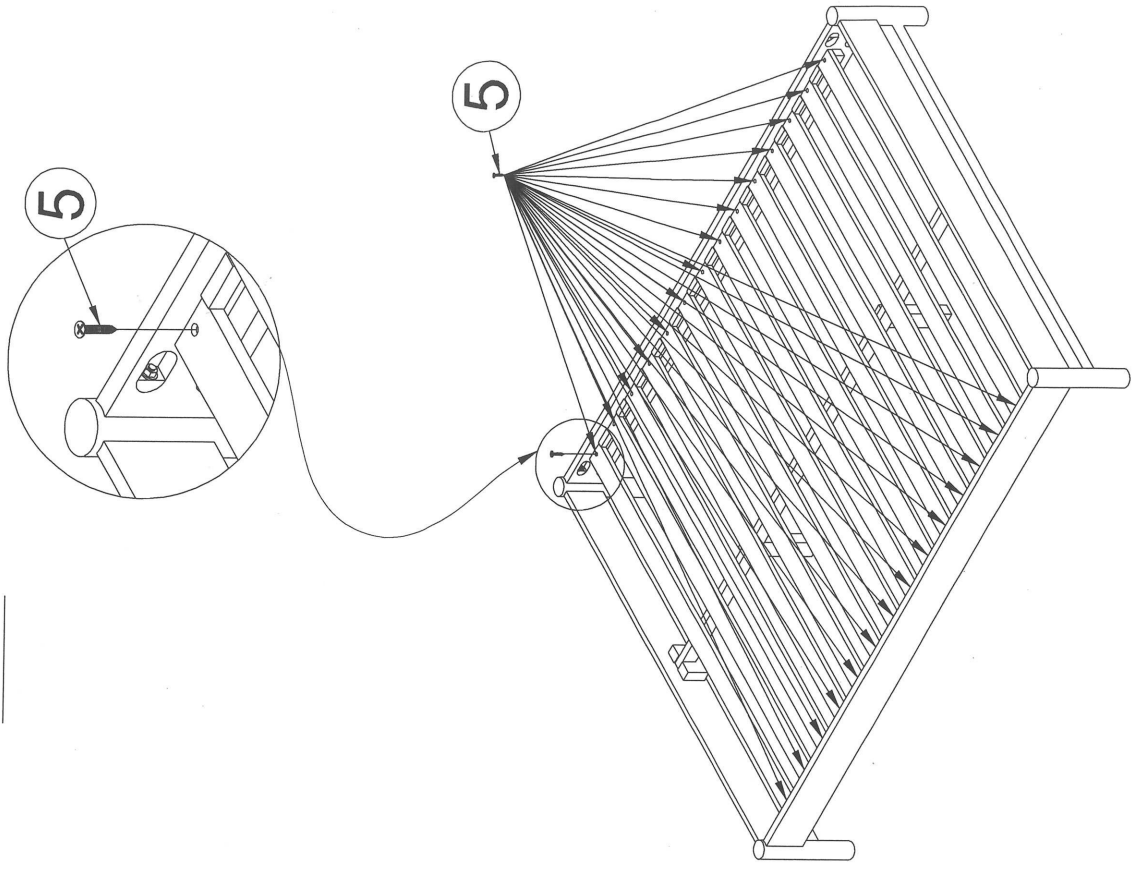


ASSEMBLY INSTRUCTION
MEIKO BED

STEP2



STEP4



STEP3

