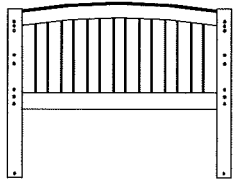


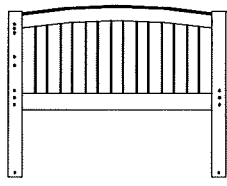
Single & King Single Bunk Bed

Assembly Instructions

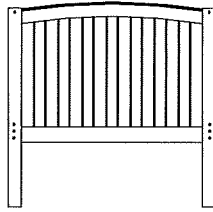
Parts :-



Upper Panel(L)
Qty : 1pc
Code : P1



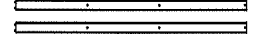
Upper Panel(R)
Qty : 1pc
Code : P2



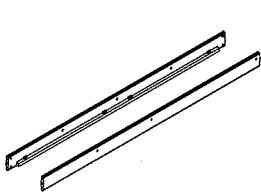
Bottom Panel
Qty : 2pcs
Code : P3



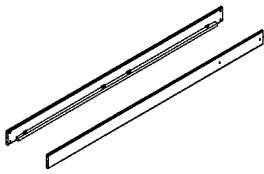
Rear safety rail
Qty : 2pcs
Code : P4



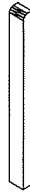
Front safety rail
Qty : 2pcs
Code : P5



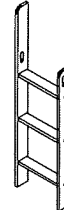
Upper Bed rail
Qty : 2pcs
Code : P6



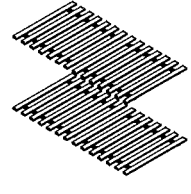
Bottom Bed rail
Qty : 2pcs
Code : P7



Guard rail support
Qty : 5pcs
Code : P8

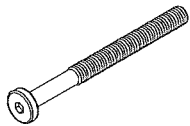


Ladder(In Knockdown)
Qty : 1pc
Code : P9

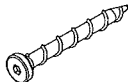


Bed slats
Qty : 28pcs
Code : P10

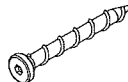
Hardware :-



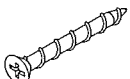
Bolt 110mm
Qty : 19 Pcs
Code : F1
JCBC M6x90mm



Bolt 32mm(Guard rails)
Qty : 15 Pcs
Code : F2
JCBC-W M7x32mm



Bolt 40mm(Ladder)
Qty : 14 Pcs
Code : F3
JCBC-W M7x40mm



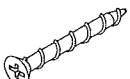
Screw 25mm(Bed slats)
Qty : 56 Pcs
Code : F4
CBS M4x25mm



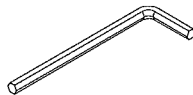
Nut M6
Qty : 19 Pcs
Code : F5
Barel Nut M6



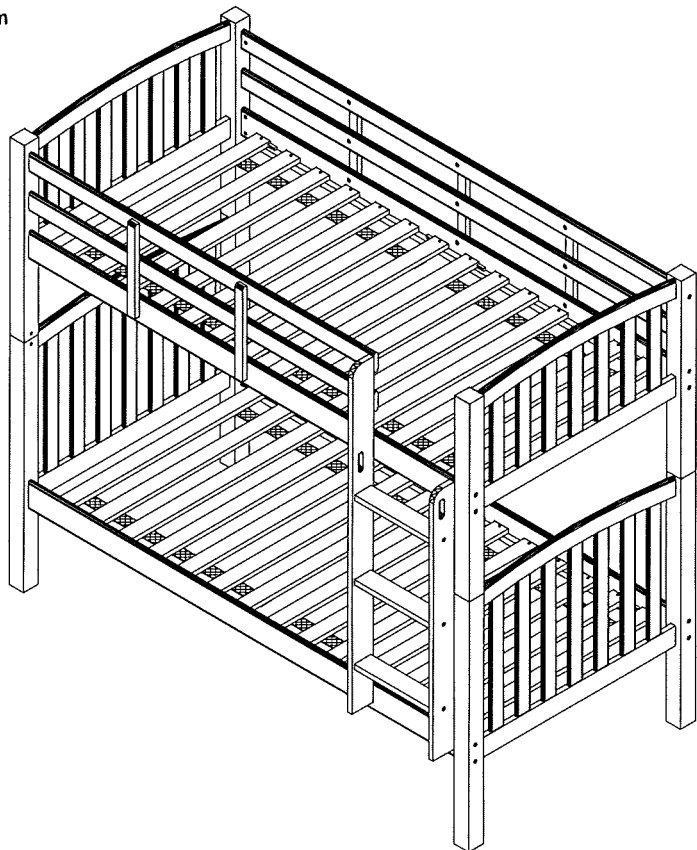
Wood Dowel
Qty : 4 Pcs
Code : F6
Ø16xL80mm



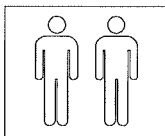
Screw 38mm(Post)
Qty : 8 Pcs
Code : F7
CBS M4x38mm



Allen key
Qty : 1 Ps
Code : F8
M4 Allen Key



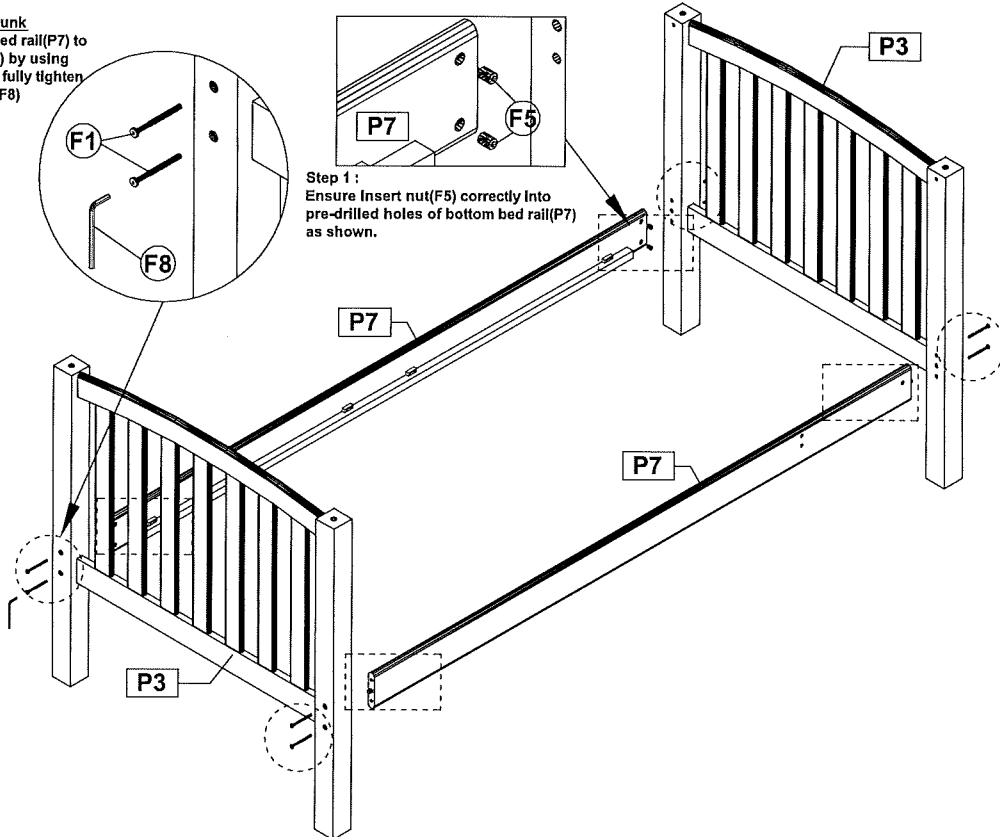
• Tool required : Screwdriver
[NOT PROVIDED]



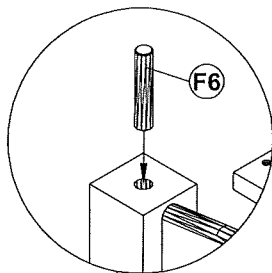
Single & King Single Bunk Bed

Assembly Instructions

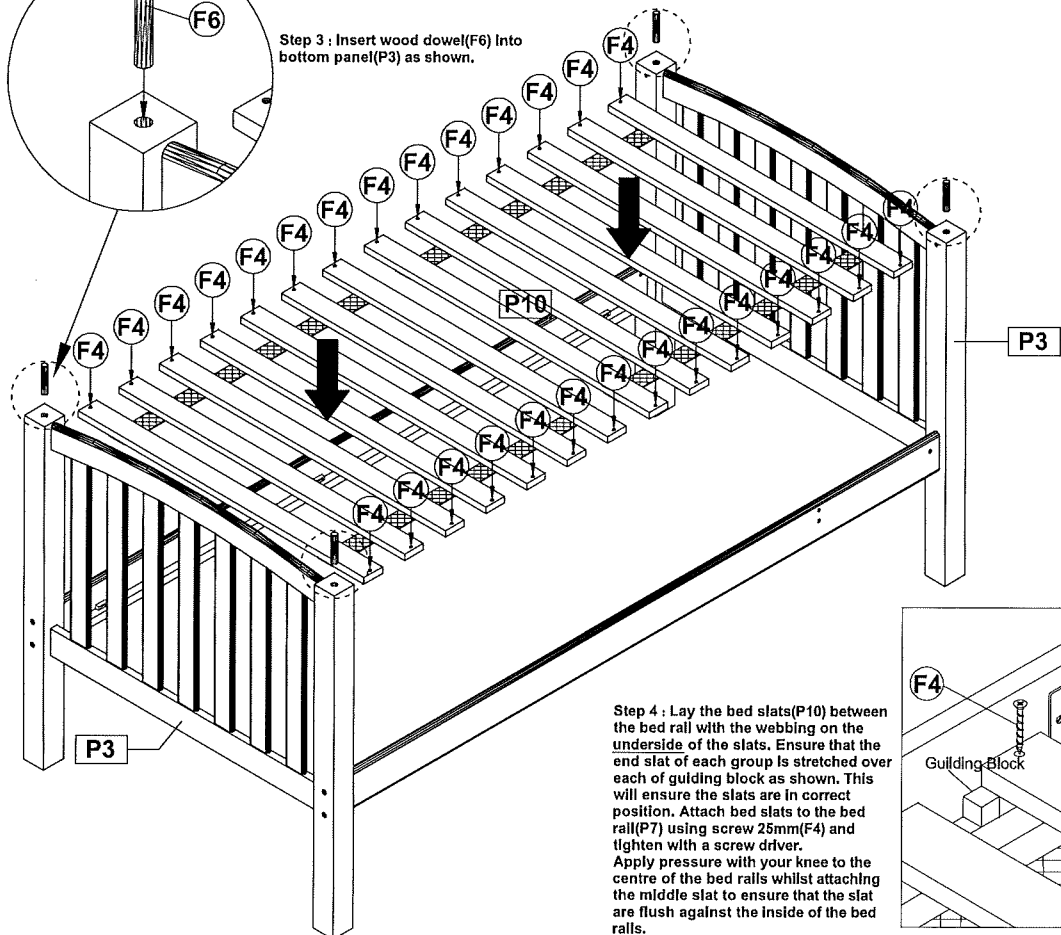
Step 2 : Lower Bunk
Attach bottom bed rail(P7) to bottom panel(P3) by using bolt 110mm and fully tighten with a allen key(F8)



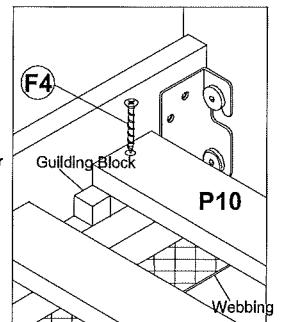
Step 1 :
Ensure Insert nut(F5) correctly into pre-drilled holes of bottom bed rail(P7) as shown.



Step 3 : Insert wood dowel(F6) into bottom panel(P3) as shown.

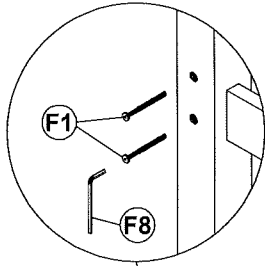


Step 4 : Lay the bed slats(P10) between the bed rail with the webbing on the underside of the slats. Ensure that the end slat of each group is stretched over each of guiding block as shown. This will ensure the slats are in correct position. Attach bed slats to the bed rail(P7) using screw 25mm(F4) and tighten with a screw driver. Apply pressure with your knee to the centre of the bed rails whilst attaching the middle slat to ensure that the slat are flush against the inside of the bed rails.

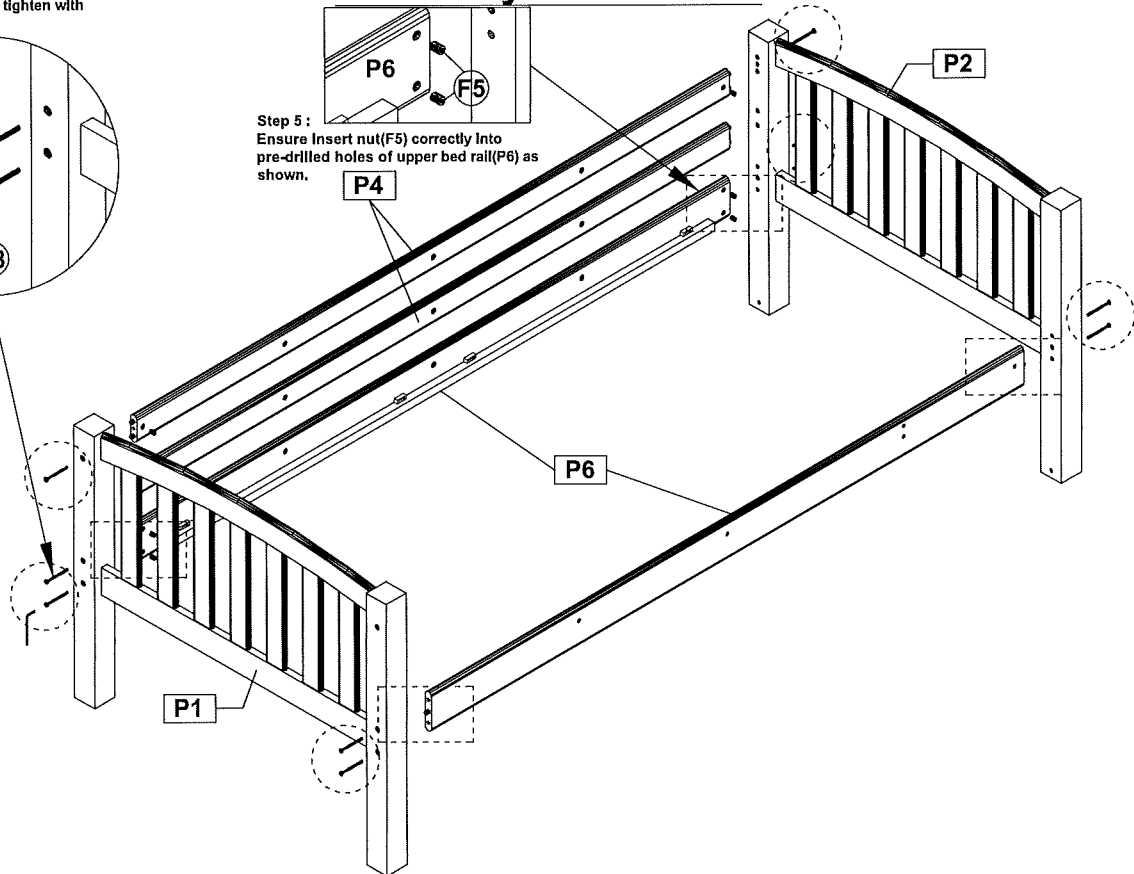
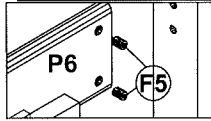


Single & King Single Bunk Bed (Riley, Kelli, Talia & Caleb) Assembly Instructions

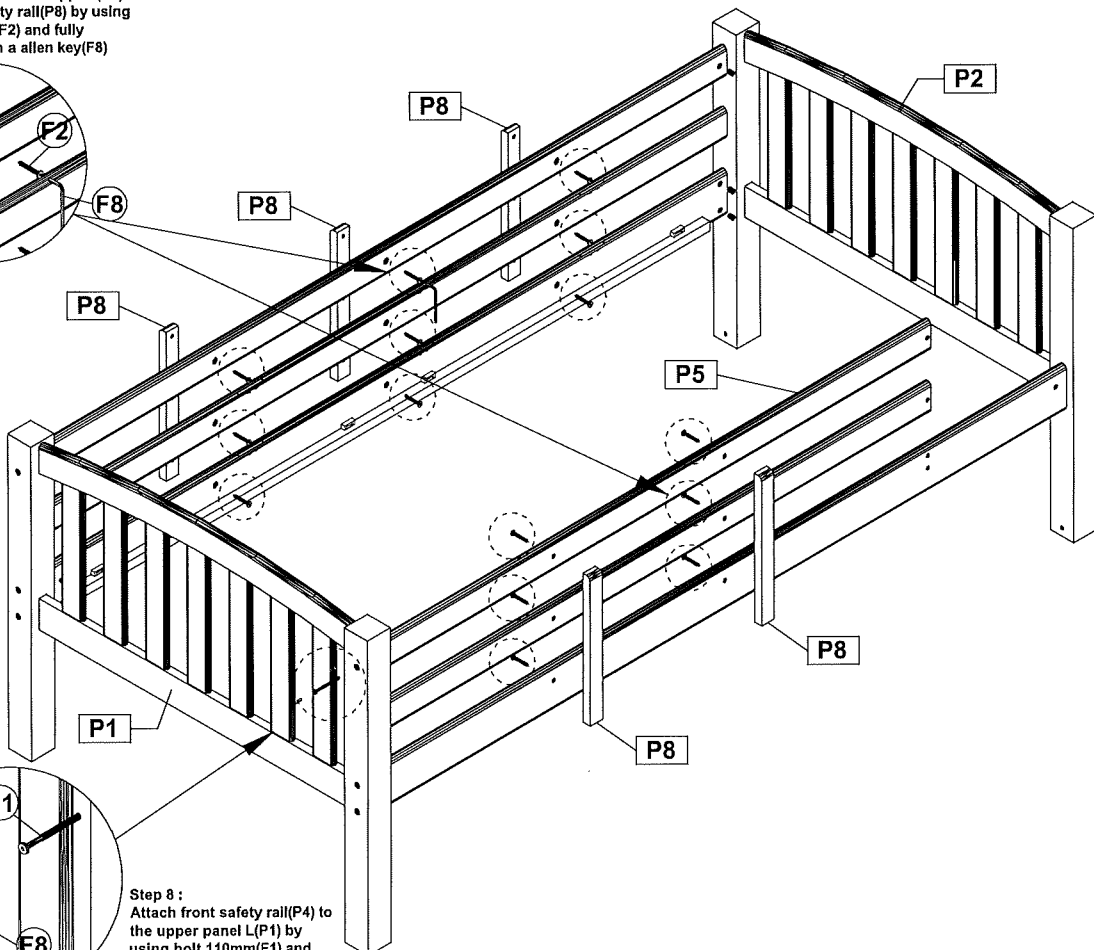
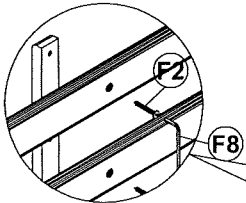
Step 6 : Upper Bunk
Attach upper bed rail(P6) & rear safety rail(P4) to upper panel(P1 & P2) by using bolt 110mm and fully tighten with a allen key(F8)



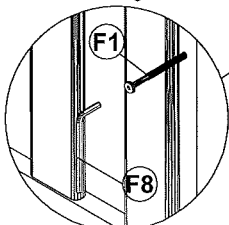
Step 5 :
Ensure Insert nut(F5) correctly into pre-drilled holes of upper bed rail(P6) as shown.



Step 7 :
Attach guard rail support(P8) to rear safety rail(P8) by using bolt 32mm(F2) and fully tighten with a allen key(F8)

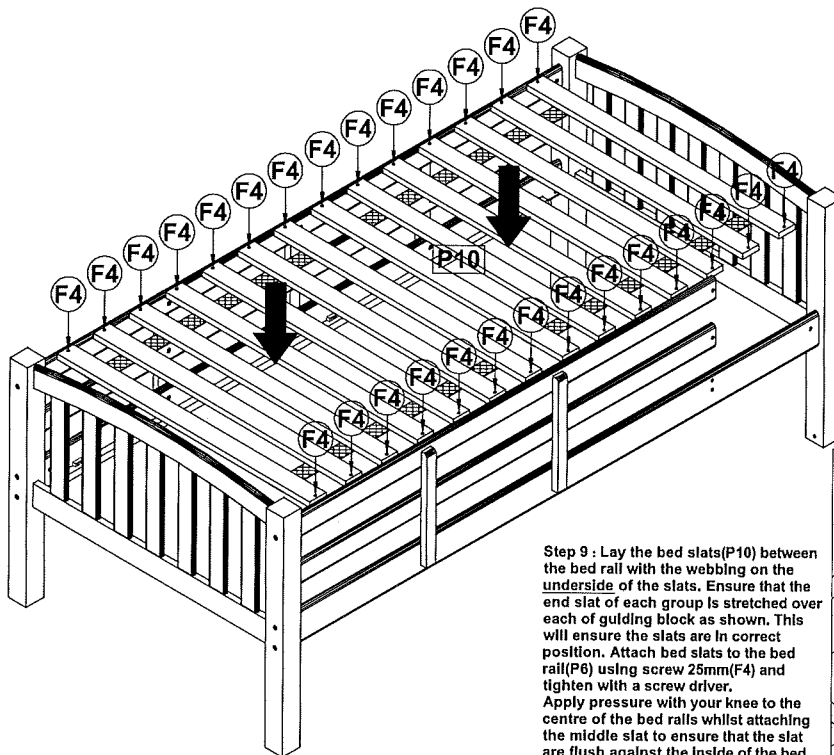


Step 8 :
Attach front safety rail(P4) to the upper panel L(P1) by using bolt 110mm(F1) and tighten with a Allen key(F8)

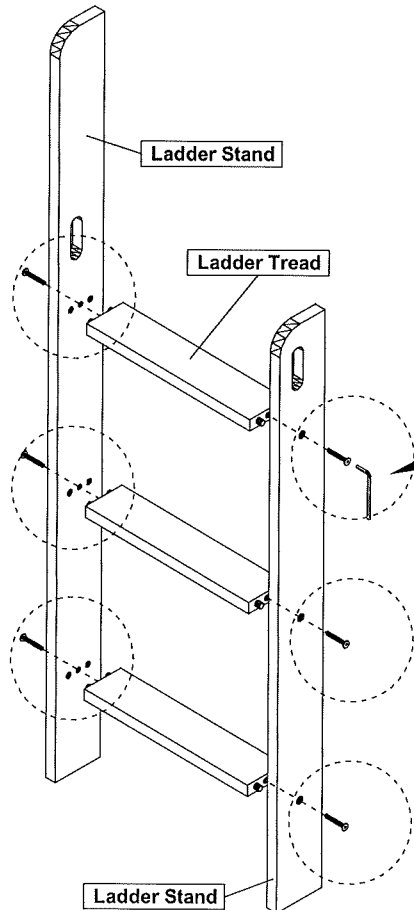
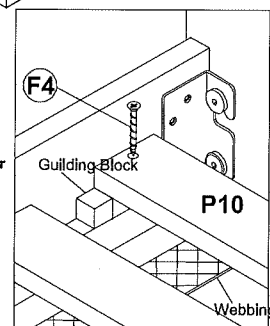


Single & King Single Bunk Bed

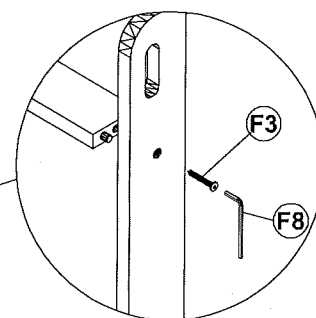
Assembly Instructions



Step 9 : Lay the bed slats(P10) between the bed rail with the webbing on the underside of the slats. Ensure that the end slat of each group is stretched over each of guiding block as shown. This will ensure the slats are in correct position. Attach bed slats to the bed rail(P6) using screw 25mm(F4) and tighten with a screw driver. Apply pressure with your knee to the centre of the bed rails whilst attaching the middle slat to ensure that the slat are flush against the inside of the bed rails.

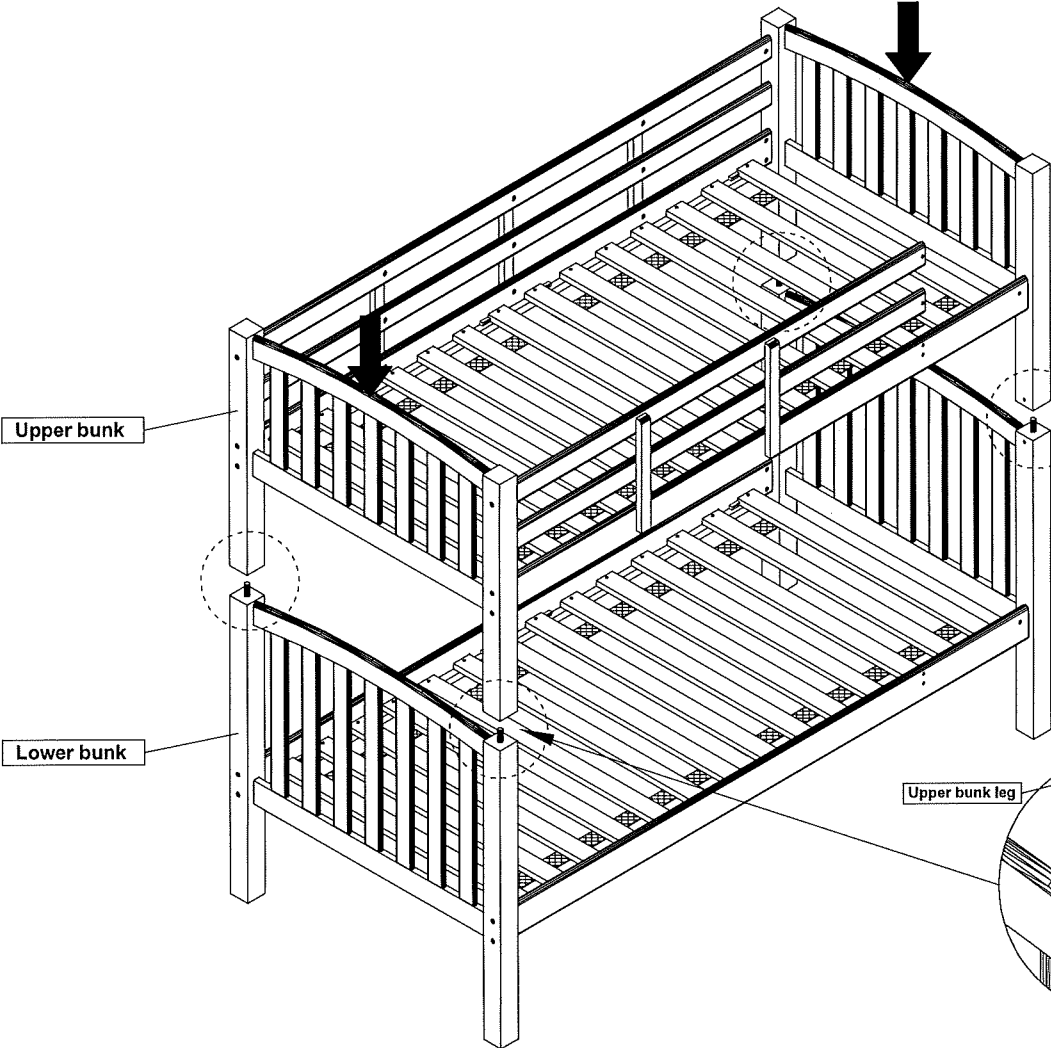


Step 10 : Attach the ladder stand to ladder treads by using bolt 40mm(F3) and fully tighten with a allen key(F8) as shown.

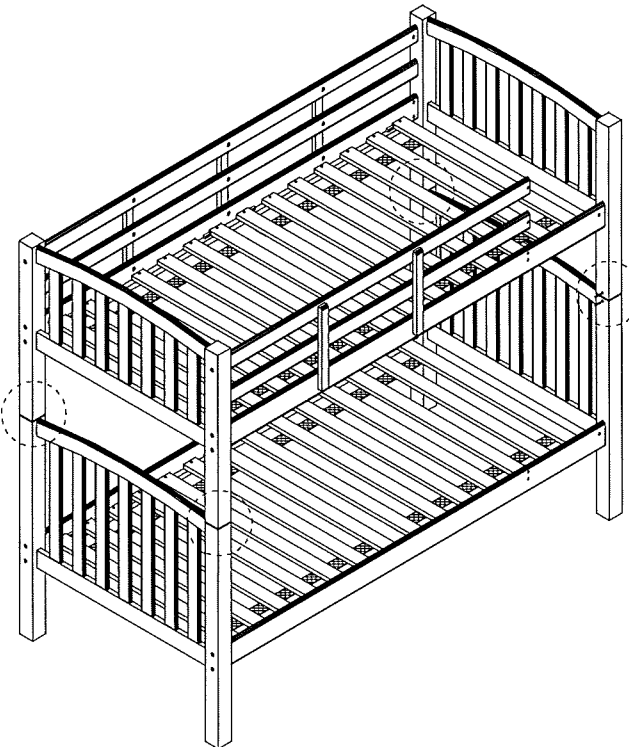
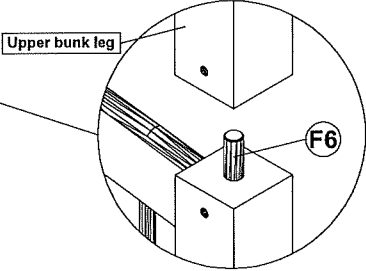


Single & King Single Bunk Bed

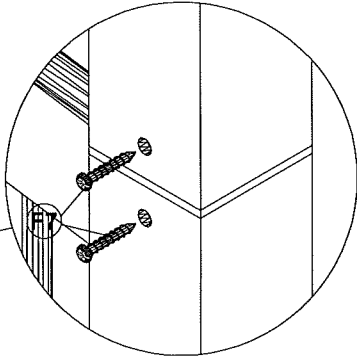
Assembly Instructions



Step 11 : Two people to lift-up upper bunk and attach to the lower bunk as shown. Ensure the upper bunk pre-drilled holes align with the slot in wood dowel(F6).

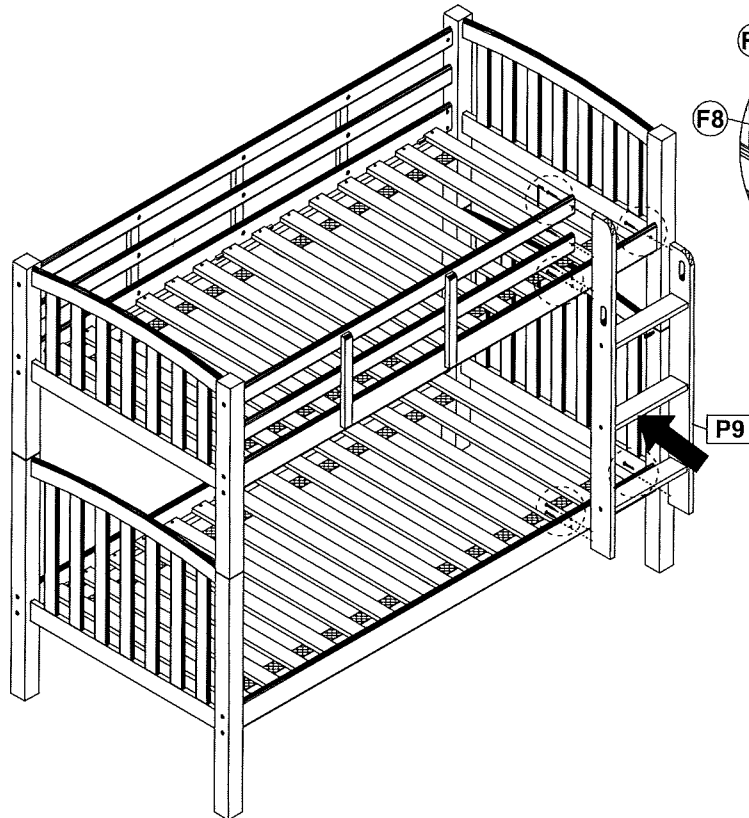


Step 12 : Using screw 38mm(F7) and screw driver to tighten the upper bunk and bottom bunk as shown.

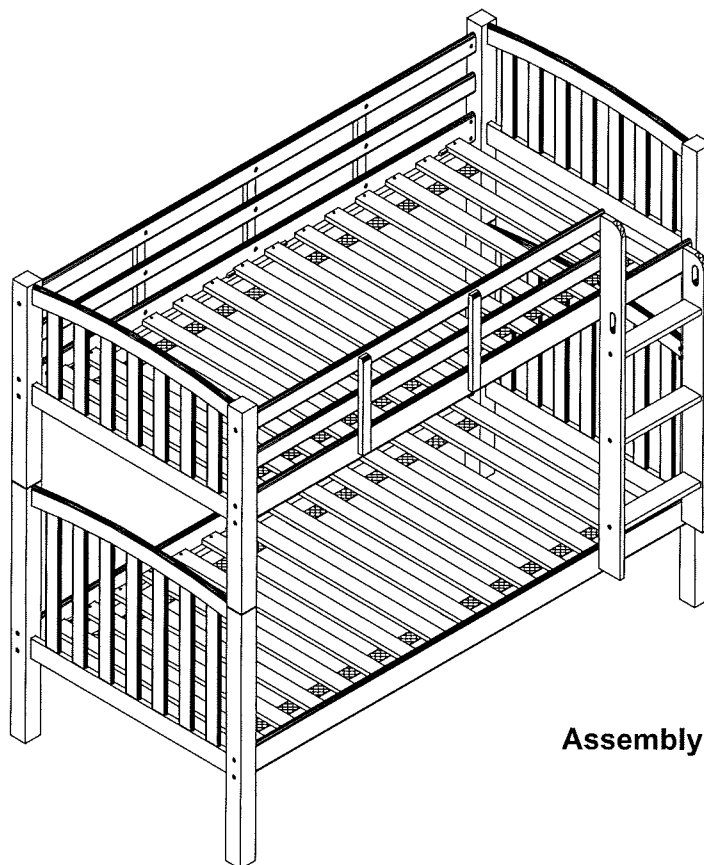


Single & King Single Bunk Bed

Assembly Instructions



Step 13 : Attach the assembled ladder(P9) to the upper bed rail & bottom bed rail as shown. By using bolt 40mm(F3) and fully tighten with a allen key.



Assembly now is complete

FINAL STEPS:

- Once all components are in place, ALL screws and bolts MUST be fully tightened BEFORE use of the bunk bed
- ALL bolts & screws MUST be checked regularly and tightened to ensure the ongoing stability of the bunk bed

SAFETY WARNING & SUGGESTED CAUTIONS:

To prevent serious or fatal injuries from entrapment or falls:

- Top bunks may be dangerous to children under the age of 9 years
- Use guardrails on both sides of the upper bunk
- Use correct mattress size for the bunk size specification
- Sleep surface of upper mattress should be at least 160mm below the upper edge of the guardrail
- Prohibit horseplay on or under beds
- Always use ladder to enter and leave the upper bunk
- Check periodically to ensure the guardrail, ladder and other components are maintained in correct position and state of repair and that all connections are tight. Periodically tighten all bolts & screws to maintain tightness of bunk frame.
- Do not place the bunk bed near a ceiling fan (2 metre separation) or an open window, to avoid injury
- Keep these instructions for future use

THIS BUNK HAS BEEN TESTED BY AN APPROVED FACILITY AND COMPLIES WITH THE AUSTRALIAN / NEW ZEALAND STANDARD FOR BUNK BEDS AND OTHER ELEVATED BEDS.

SAFETY STANDARDS REFERENCE: AS/NZS 4220:2010