

# The Luton

A shaped, narrow-arm with piping all over adds a luxury feel to this sofa. Fitted standard with our Balanced comfort seats, Fine comfort fitted backs and T12 (135mm high) timber legs\*<sup>3</sup>, this model offers a supreme level of comfort. The Luton is hand crafted here in New Zealand using excellent quality materials.



SHAPED ARM

**Model features a 2.5 Seater Sofa T12 Wenge timber legs. Finished with our Balanced comfort seats and Fine comfort fitted backs.**

## YOU CHOOSE.

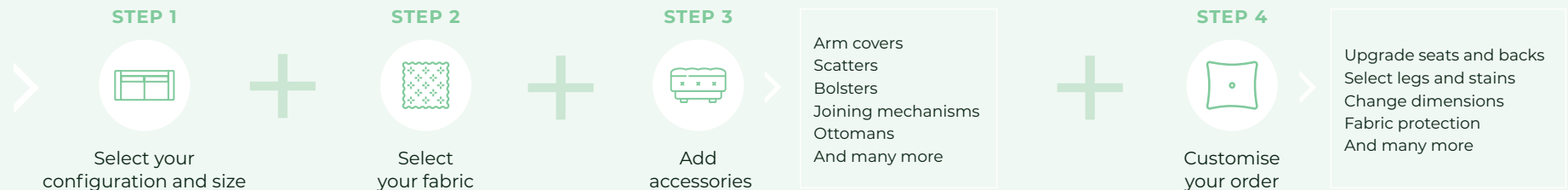
Our fully customisable Grand range, lets you choose the perfect combination; from frames and feet, to foams and fabric.

## FEATURING

- A solid frame made from New Zealand kiln dried and engineered, sustainable timbers.
- Our supreme elastic webbing for excellent support and comfort.
- Choose from our wide range of seat and back cushion fills.
- Choose timber legs, available in Wenge, Natural, Rimu, Walnut, Whitewash, Greywash.
- Choose metal legs, available in Chrome, Matt black, Gunmetal.
- Our extensive customisation options mean anything is possible.



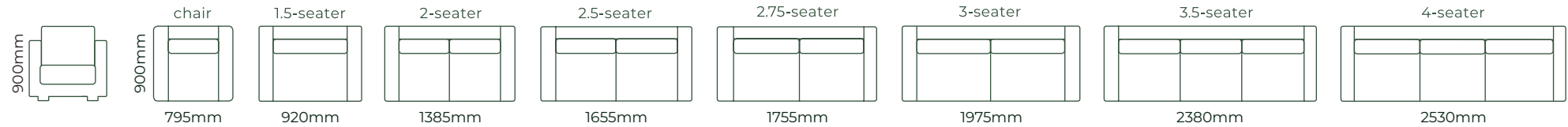
## HOW IT WORKS



# THE LUTON / DIMENSIONS



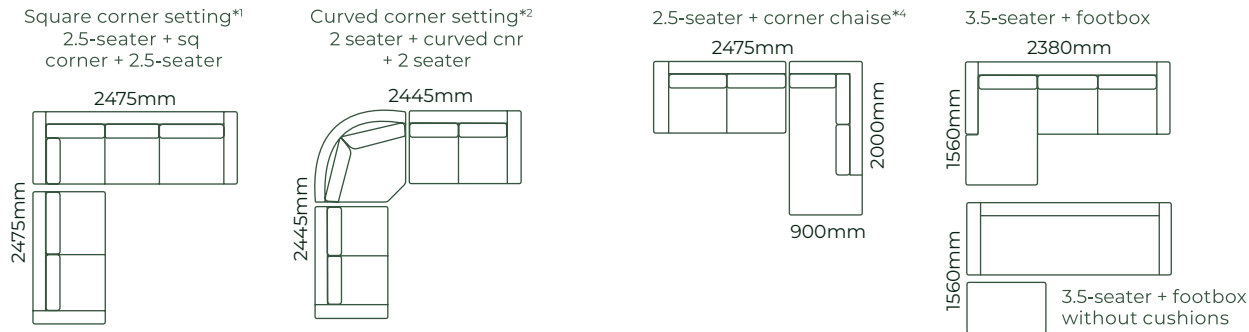
**SOFAS** ALL SOFA SIZES AVAILABLE WITH NO ARM, ONE ARM OR TWO ARMS



## ACCESSORIES



## EXAMPLE SETTINGS WITH MANY OTHER CONFIGURATIONS AVAILABLE



Due to the nature of foam and fabric all furniture dimensions could be +/- 20mm.

\*1. In a square corner setting the corner piece is always 'built on' to the smaller piece as standard, but can be purchased separate.

\*2. In a curved corner setting, the corner piece is freestanding.

\*3. Legs are Wenge as standard, but please refer to your retailer.

\*4. Chaise cushion width is always made to match adjoining piece.

## TIMBER LEG STAINS



## METAL LEG COLOUR



## WARRANTY:

**Timber frame:** 15-years **Back inners:** 2-years  
**Seat webbing:** 10-years **Seat foam:** 10-years  
**Fabric:** Refer to supplier