

# The Fraser

A contemporary, wide square-arm design with piped back scatters, the Fraser offers a supreme level of comfort. Fitted standard with our Advance comfort seats, Fine comfort fill backs and T13 (90mm high) timber legs\*<sup>3</sup>. The Fraser is hand crafted here in New Zealand using excellent quality materials. This design is available as a sofa bed using a high class bi-fold mechanism with a 120mm innerspring mattress.

**Model features a 4 Seater Sofa with T13 Wenge timber legs, fitted with Advance comfort seats and scatter cushions with our Fine comfort fill.**



B



SQUARE ARM

## YOU CHOOSE.

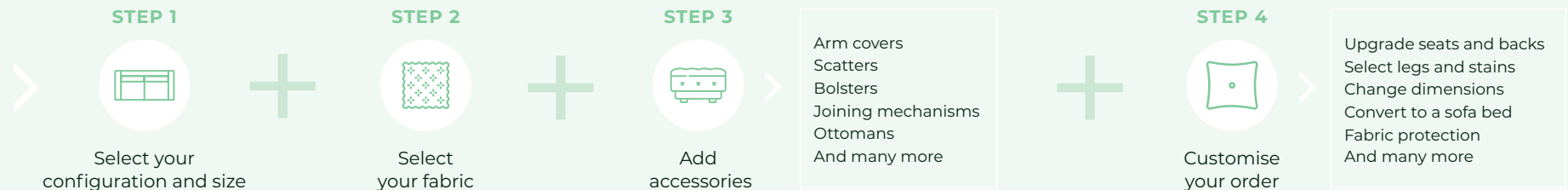
Our fully customisable Grand range, lets you choose the perfect combination; from frames and feet, to foams and fabric.

## FEATURING

- A solid frame made from New Zealand kiln dried and engineered, sustainable timbers.
- Our supreme elastic webbing for excellent support and comfort.
- Select the perfect size and shape for your space, even convert to a sofa bed.
- Choose from our wide range of seat and back cushion fills.
- Choose timber legs, available in Wenge, Natural, Rimu, Walnut, Whitewash, Greywash.
- Choose metal legs, available in Chrome, Matt black, Gunmetal.
- Our extensive customisation options mean anything is possible.



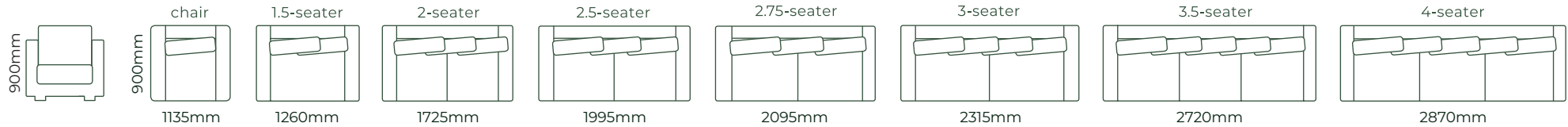
## HOW IT WORKS



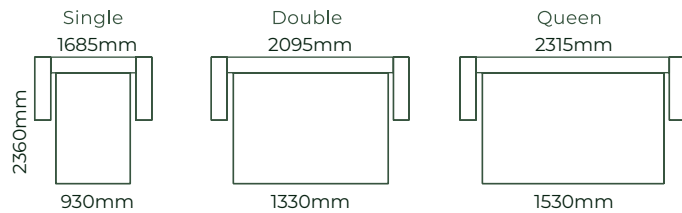
# THE FRASER / DIMENSIONS



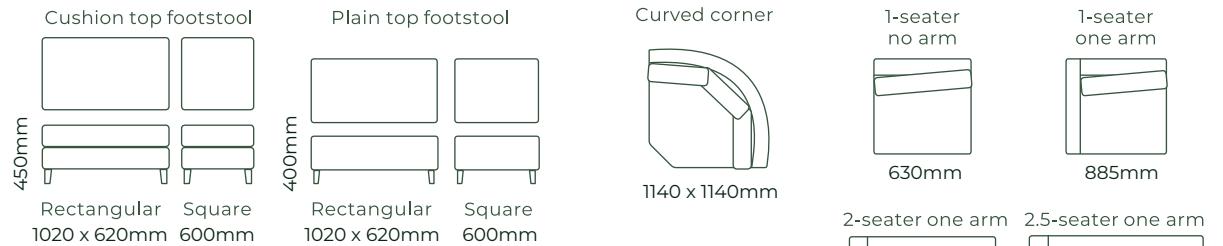
## SOFAS ALL SOFA SIZES AVAILABLE WITH NO ARM, ONE ARM OR TWO ARMS



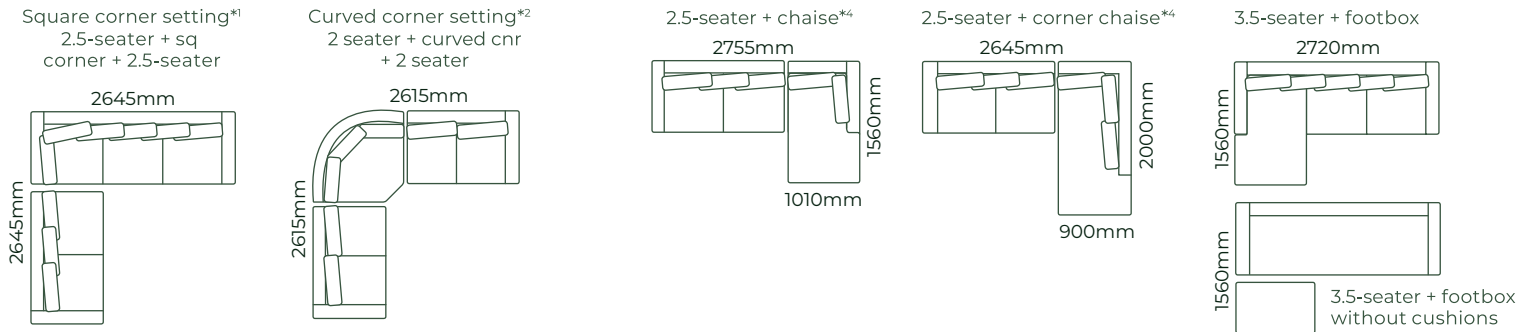
## SOFA BEDS SUITABLE FOR CORNER SETTINGS TOO\*5



## ACCESSORIES



## EXAMPLE SETTINGS WITH MANY OTHER CONFIGURATIONS AVAILABLE



Due to the nature of foam and fabric all furniture dimensions could be +/- 20mm.

\*1. In a square corner setting the corner piece is always 'built on' to the smaller piece as standard, but can be purchased separate.

\*2. In a curved corner setting, the corner piece is freestanding.

\*3. Legs are Wenge as standard, but please refer to your retailer.

\*4. Chaise cushion width is always made to match adjoining piece.

\*5. Sofa beds have 270mm deep front borders. We use T47 or T27 legs (70mm).

## TIMBER LEG STAINS



## METAL LEG COLOUR



## WARRANTY:

**Timber frame:** 15-years  
**Seat webbing:** 10-years  
**Seat foam:** 10-years  
**Back inners:** 2-years  
**Sofa bed mech:** 1-year  
**Fabric:** Refer to supplier