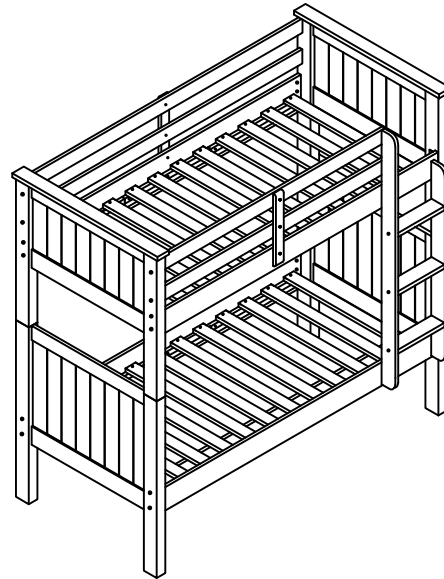
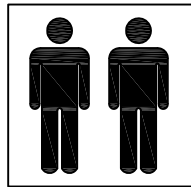
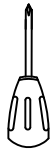
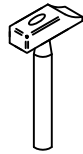


IMPORTANT - READ CAREFULLY - RETAIN FOR FUTURE REFERENCE

Tools Needed

Two persons required

Cross head screwdriver



Regrettably soft assembly items cannot be returned once assembly is part or fully completed unless the items are found to be faulty . Should you need to return the unassembled product , please repack in its original packaging .

Important

- We suggest you spend a short time reading this leaflet and then follow the simple step-by-step instruction. Carefully check that you have all the parts before beginning assembly .
- Keep fittings out of children's reach and keep children well away from the construction area .
- We suggest you retain the instructions for future reference .
- A minimum of 2 persons is required to assemble this product .
- We recommend that packaging is used to protect the surfaces during assembly .

Product Information

- This product is made from New Zealand Pine wood with a lacquer finish .
- Natural features ensure that each piece is individual to you. Every effort is made to ensure colour continuity between pieces, however this is a natural product, slight colour variations and natural markings may occur .
- Made in Vietnam
- This item complies with BS EN : 747 : 2007

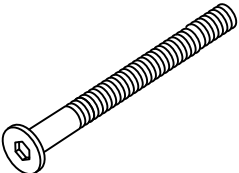

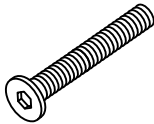
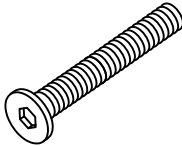
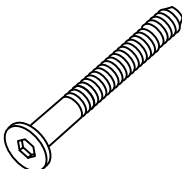

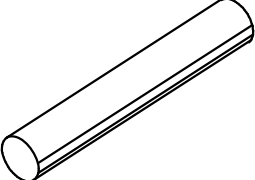


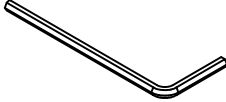
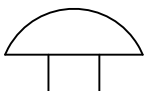
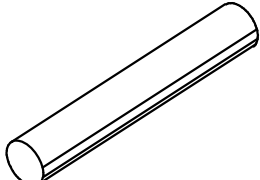
Care Instructions

- Do not rub or scrub the surface when cleaning .
- Ensure the product is protected with mats and coasters when items are placed on its surface , to prevent scratching or damage . Do not put hot dishes directly onto wooden surface .
- Avoid keeping the furniture in direct sunlight or close to any heat source as this can cause cracking , discolouration or warping .
- Never drag the piece across the floor as this could cause damage to the joints .
- Periodically check all fixings and tighten if necessary .
- Wood will mellow and change colour over time , we recommend that ornaments are moved regularly to prevent uneven mellowing .

Components parts and fittings contained in the box

Please sort out all parts before you begin to assemble the item .
This is to make sure you always use the correct part .

Fittings

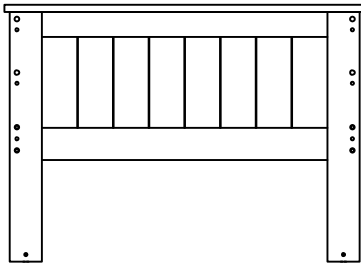
<p>(H1) 22 Pcs</p>  <p>FLAT HEAD ALLEN SCREW 1/4 x 110 mm</p>	<p>(H2) 22 Pcs</p>  <p>BARREL NUT 1/4 x 13 mm</p>	<p>(H3) 6 Pcs</p>  <p>FLAT HEAD ALLEN SCREW 1/4 x 30 mm</p>
<p>(H4) 6 Pcs</p>  <p>FLAT HEAD ALLEN SCREW 1/4 x 40 mm</p>	<p>(H5) 6 Pcs</p>  <p>FLAT HEAD ALLEN SCREW φ 6.3 x 50 mm</p>	<p>(H6) 30 Pcs</p>  <p>DOWEL - WOOD φ 10 x 40 mm</p>
<p>(H7) 4 Pcs</p>  <p>METAL DOWEL φ12 x 90 mm</p>	<p>(H8) 56 Pcs</p>  <p>SCREW φ4 x 30 mm</p>	<p>(H9) 8 Pcs</p>  <p>SCREW φ4 x 35 mm</p>
<p>(H10) 1 Pc</p>  <p>ALLEN KEY 4 mm</p>	<p>(H11) 22 Pcs</p>  <p>WOODEN BUTTON φ15/19 x 11 mm</p>	<p>(H12) 4 Pcs</p>  <p>METAL DOWEL φ12 x 60 mm</p>

WARNING

Keep small components out of the reach of children .

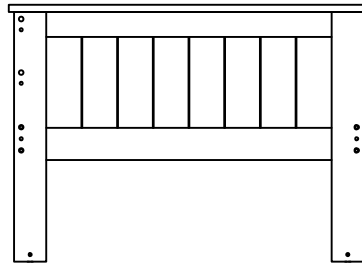
Parts :

(P1) 1 Pc



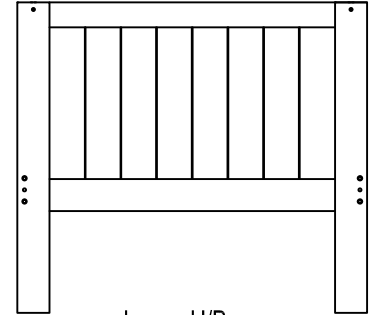
Upper H/B
(Left 14 holes)

(P2) 1 Pc



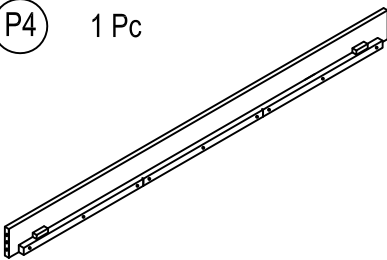
Upper H/B
(Right 12 holes)

(P3) 2 Pcs



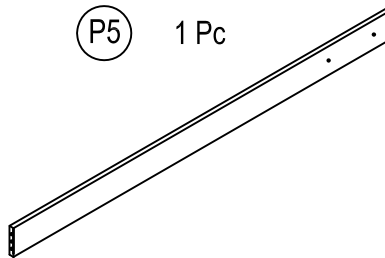
Lower H/B

(P4) 1 Pc



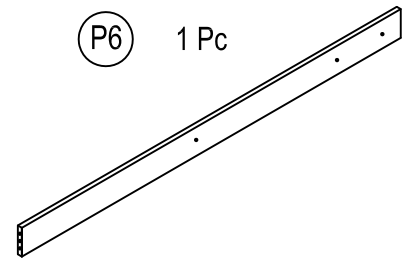
Bottom Back Side Rail
(No hole)

(P5) 1 Pc



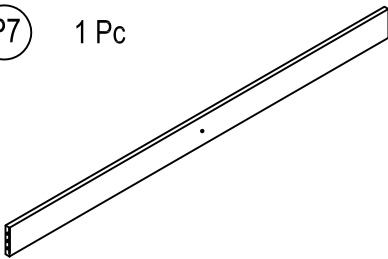
Bottom Front Side Rail
(2 holes)

(P6) 1 Pc



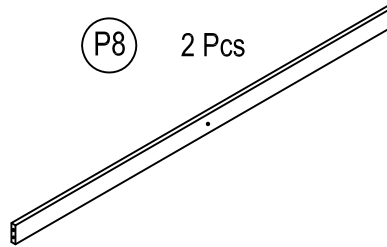
Top Front Side Rail
(3 holes)

(P7) 1 Pc



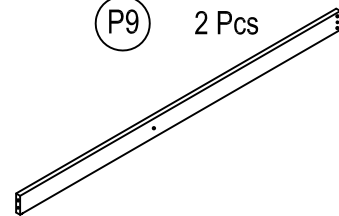
Top Back Side Rail
(2 holes)

(P8) 2 Pcs



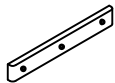
Back Guard Rails
(1 hole)

(P9) 2 Pcs



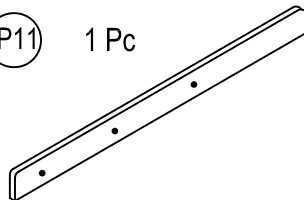
Front Guard Rails
(1 hole)

(P10) 2 Pcs



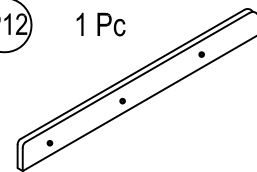
Support Guard Rail

(P11) 1 Pc



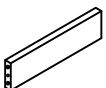
Ladder Post (Left)

(P12) 1 Pc



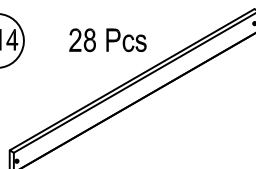
Ladder Post (Right)

(P13) 3 Pcs



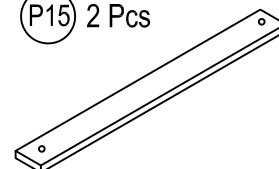
Step of ladder

(P14) 28 Pcs



Slats

(P15) 2 Pcs



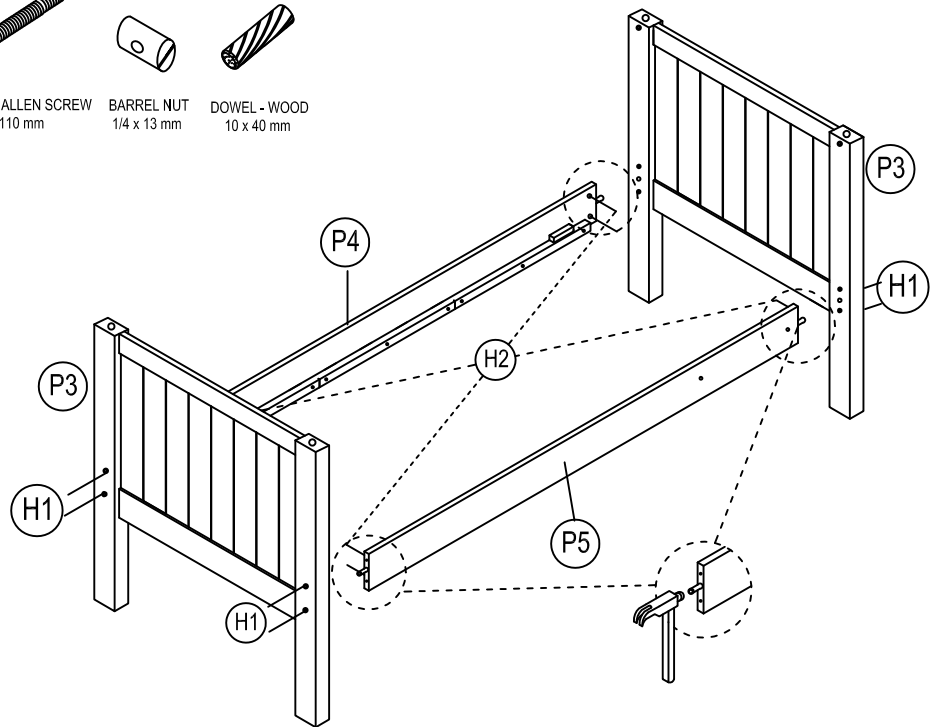
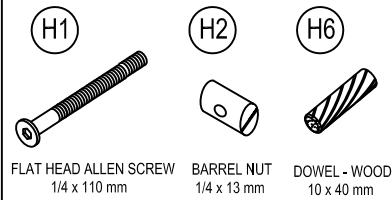
Lower top rail (2 holes)

STEP ONE

Attach lower HB/FB (P3) with Bottom back side rails (no holes) and bottom front side rail (2holes (P5) .

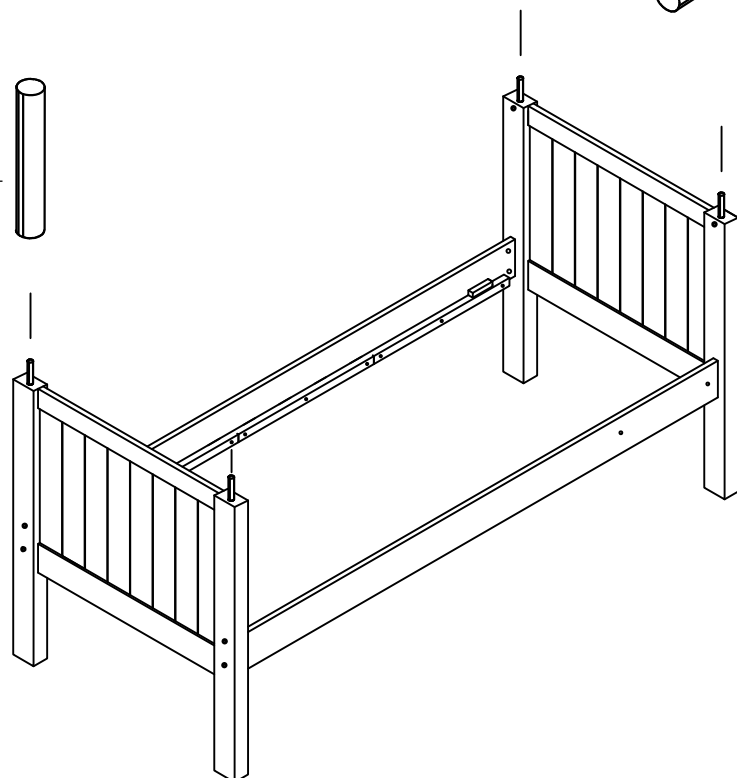
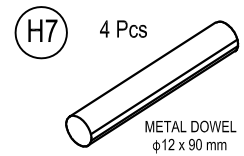
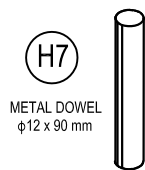
Tighten with Flat head allen screw (H1) and Barrel nut (H2) by Allen key (H9) .

Attach wooden dowels in bottom back side rails (P4) and bottom front side rails (2 holes) (P5) .



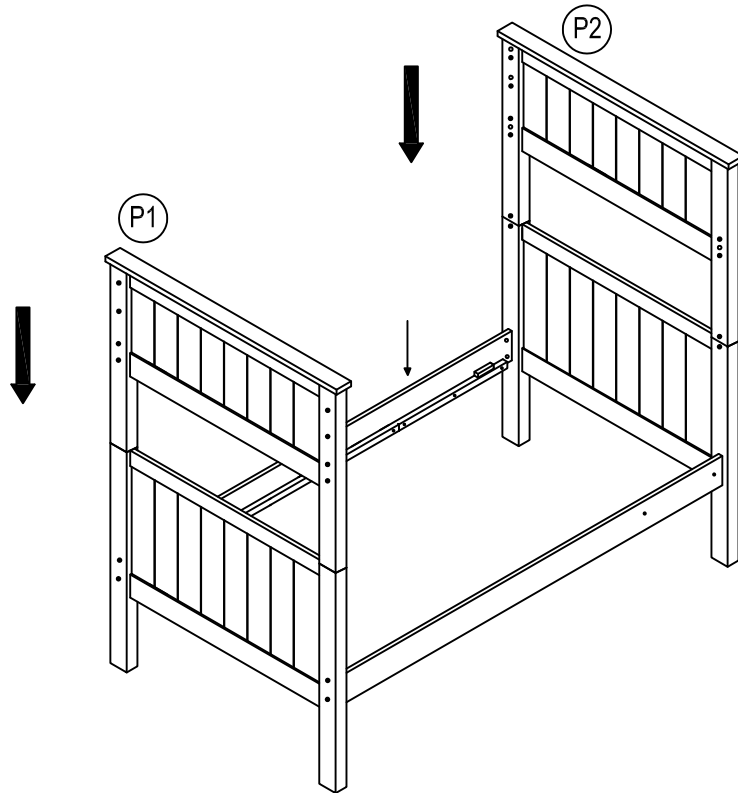
STEP TWO

Put 4 metal dowels (H7) into holes to link top bed .



STEP THREE

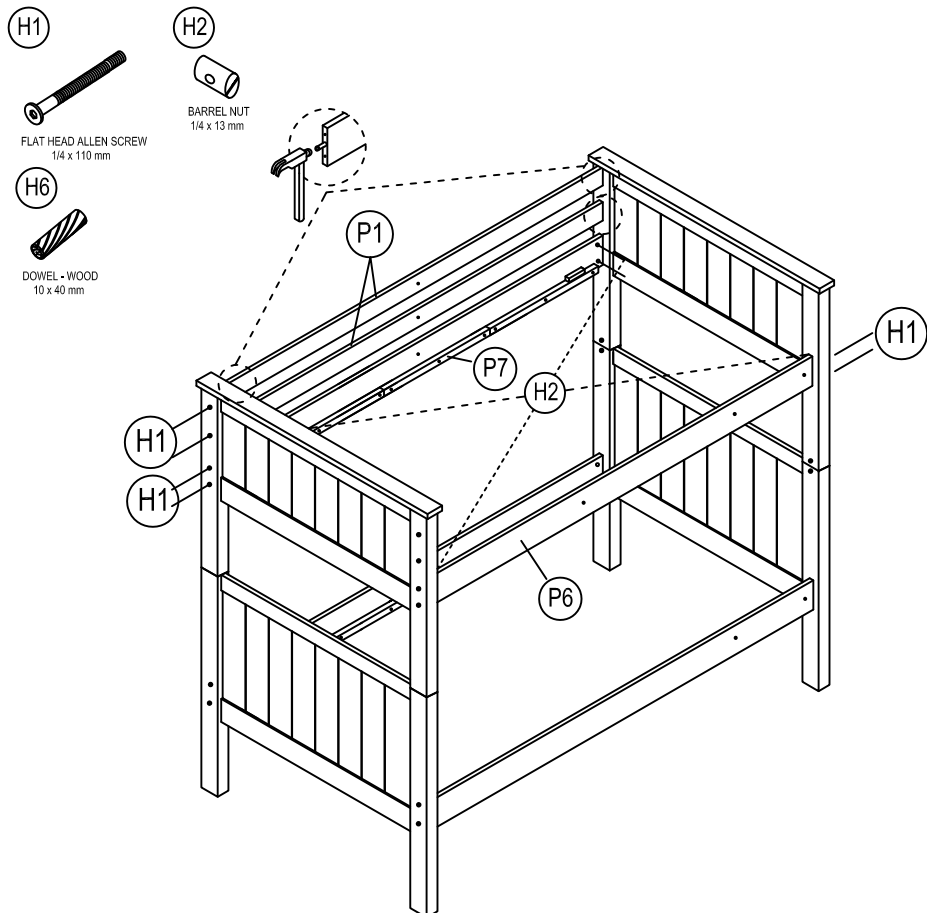
Attach Upper H/B (P1) and Upper F/B (P2) as picture .



STEP FOUR

Attach Top front side rail (P6) and Top back side rail (P7) using wooden dowels (H12) and use Flat head allen screw (H1)

Do not tighten these until fully assabled .
Attach Back guard rail (P8) and use Flat head allen key screws (H1) .
Use allen key (H10) to fully tighten rails when all is position .

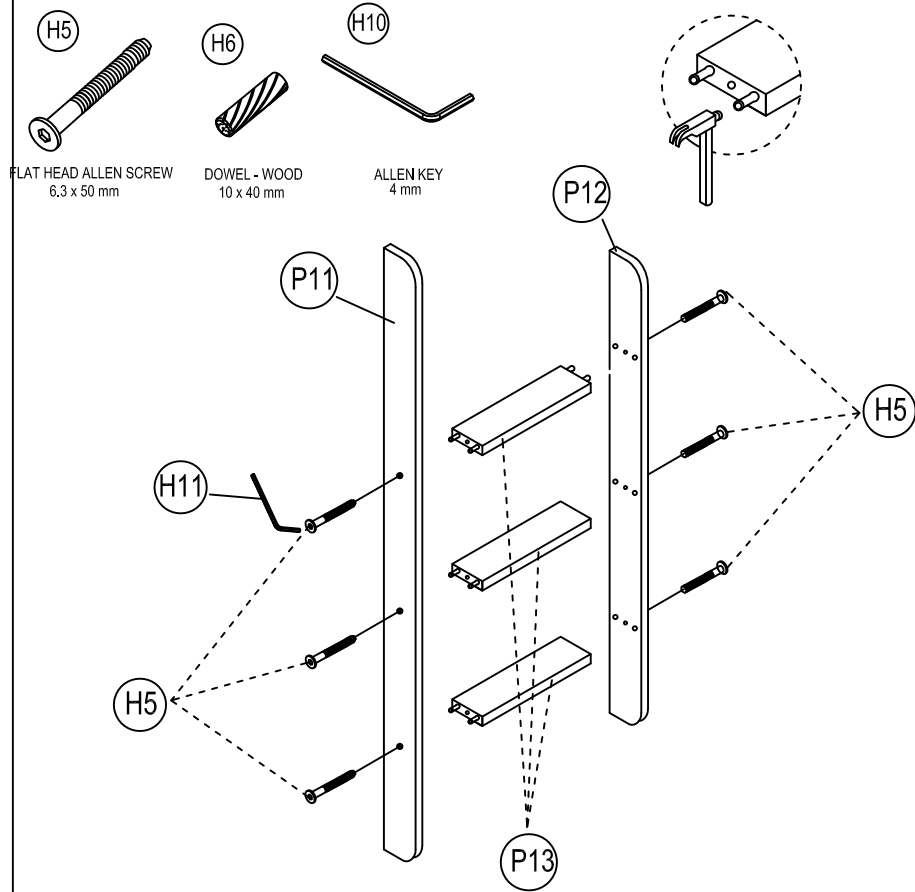


STEP FIVE

Attach wooden dowels (H6) as picture .

Attach ladder post (P11) and (P12) with step of ladder (P13) .

Use flat head allen screws (H5) to link them together tightening with allen key (H11) .

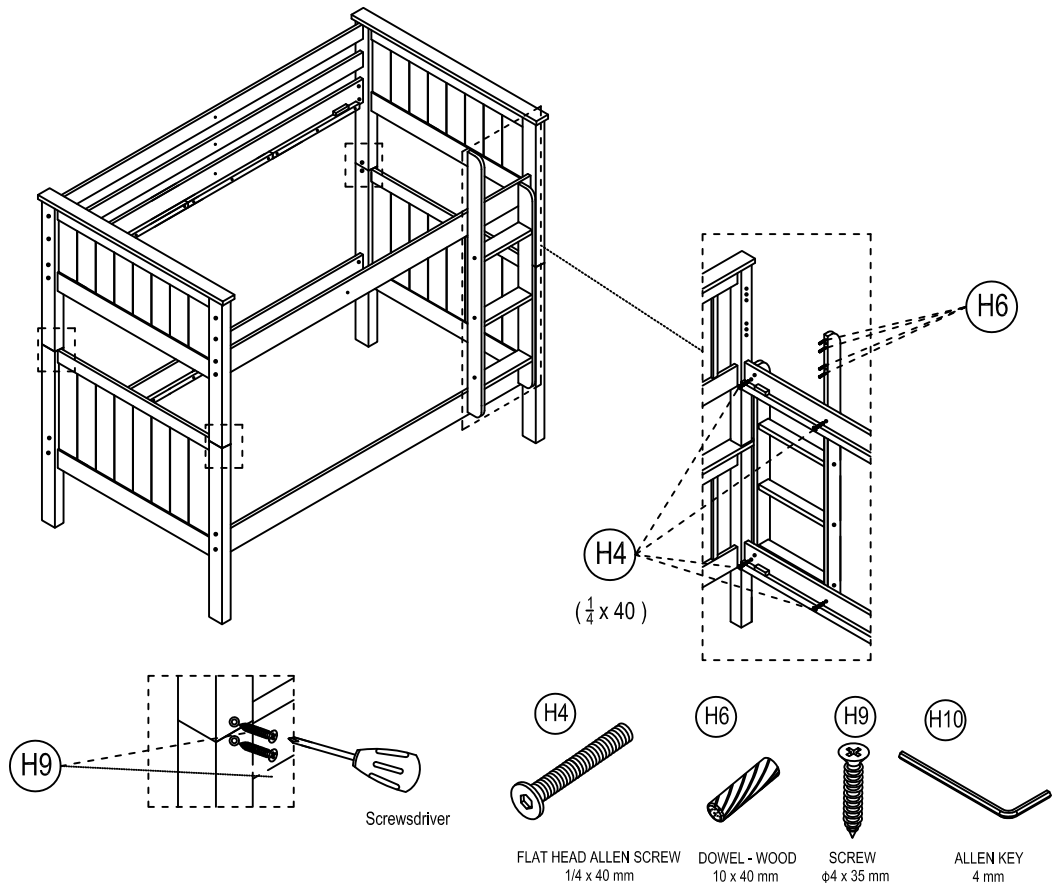


STEP SIX

Attach ladder with the bed as picture .

Use flat head allen screws (H4) to tighten them .

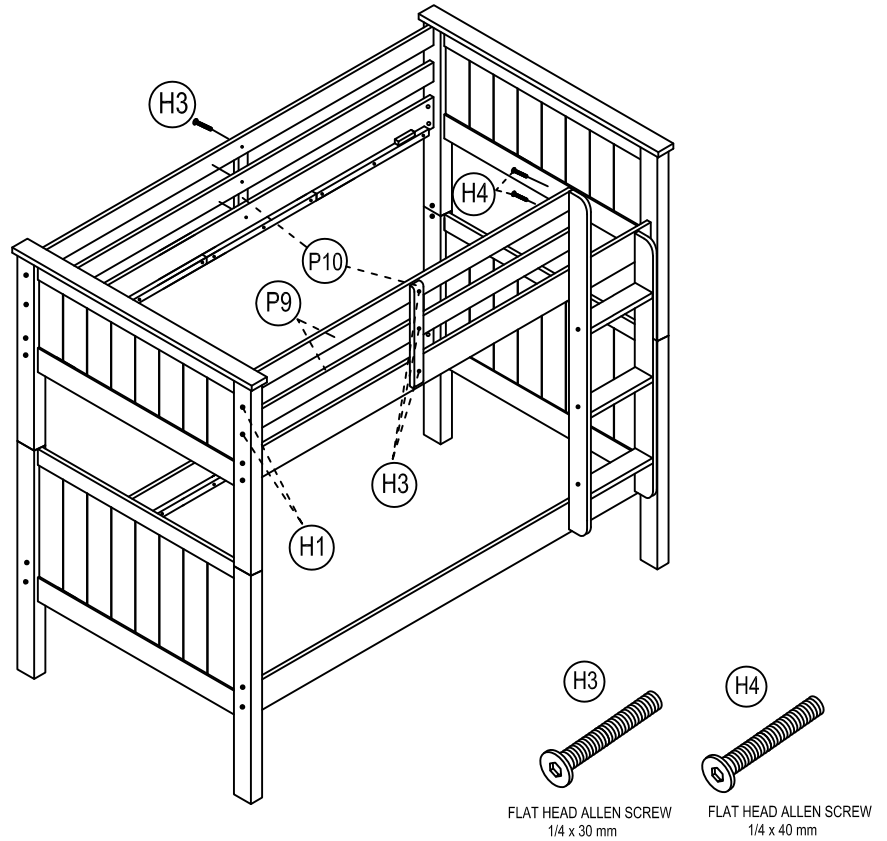
tighten screws (H10) by screwdriver as picture .



STEP SEVEN

Attach the front guard rails marked (P9) with upper side panels and linking guard rail retainers marked (P10) with together by screw (H3) and use allen key 4mm marked (H11) .

Attach the ladder to the bunk bed , with screw (H4) and tighten screws by allen key 4mm front inside of the bunk bed as the above picture .



STEP EIGHT

Tighten all screws , put 14 slats for each and use screws marked (H8) and tighten all slats by screwdriver as per picture .

Use 22pcs wooden buttons (H12) to attach in holes .

H8 56 Pcs



SCREW
φ4 x 30 mm

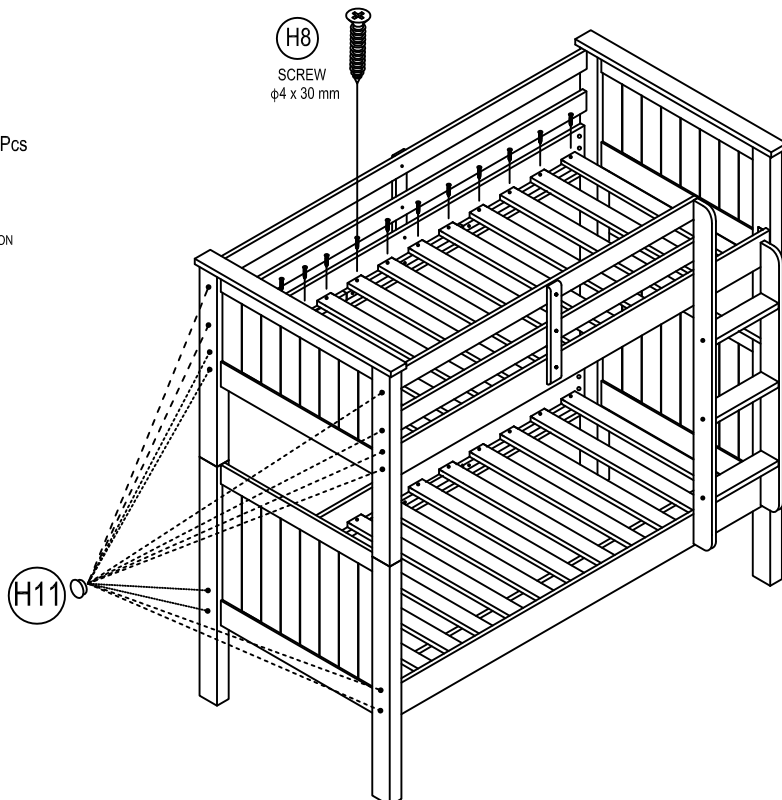
H8

SCREW
φ4 x 30 mm

H11 22 Pcs



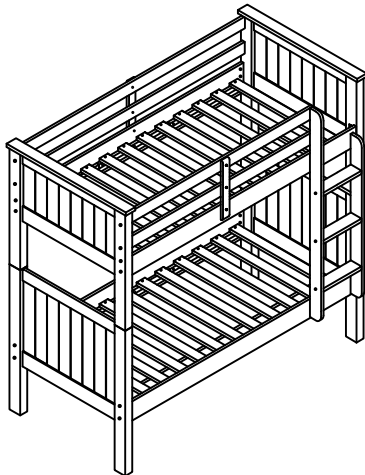
WOODEN BUTTON
φ15/19 x 11 mm



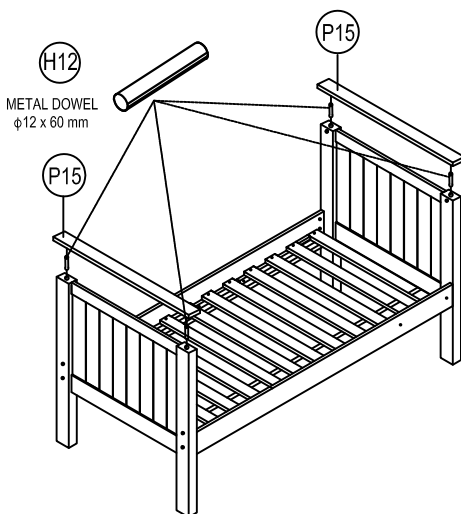
PICKWICK BUNK BED

INSTRUCTIONAL LITERATURE WARNING LABEL

PLEASE READ CAREFULLY BEFORE USED



- 1- Follow the information on the warning label attached to the upper bunk bed structure . Do not remove this lable .
- 2- No power tools should the used to assemble in this bed .
- 3- Please use a damp cloth to clean this bed .
- 4- The top of the mattress shuold not come over the line marked on the upper left corner of the bed the surface of the mattress must be at least 160mm below the upper edge of guardrails .
- 5- Do not allow child under 6 years of age to use the upper bunk .
- 6- Always use the ladder of enteringand leaving the upper bunk .
- 7- Check all bolts and screws are tighten and ensure that the guardrails , ladder and other components are in the correct position .
- 8- Do not allow horseplay on or under the bed and prohibit jumping on the bed .
- 9- Never substitute parts , contact manufactuer or dealer for replacement parts .
- 10- Always use guardrails on both leg sides of the upper bunk .
- 11- The use of wate or sleep flotation mattress is prohibited .
- 12- Keep this instruction for future reference .



Remark :

Attach lower top rails (P15) with lower HB/FB .

Use 4 pcs metal dowel (H12) into holes of (P3) .