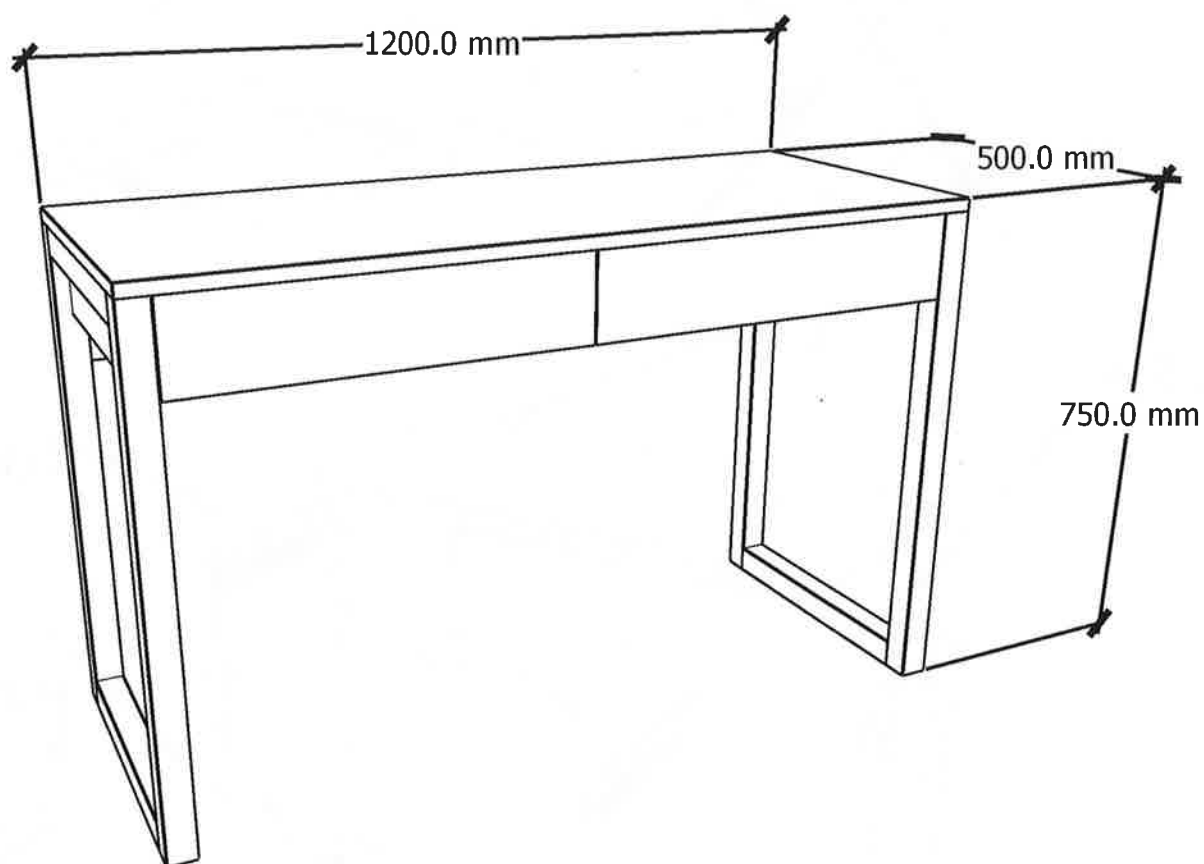


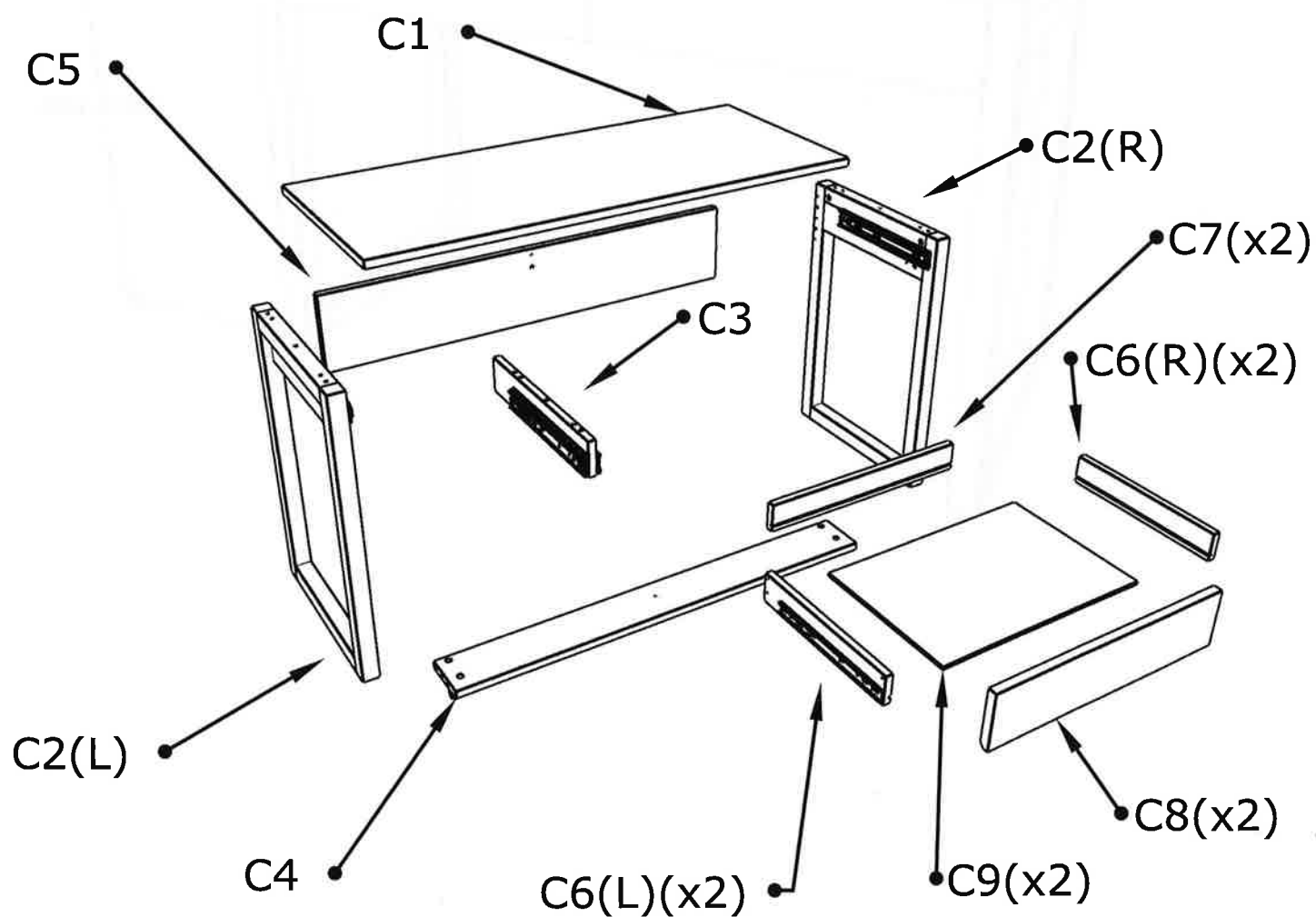
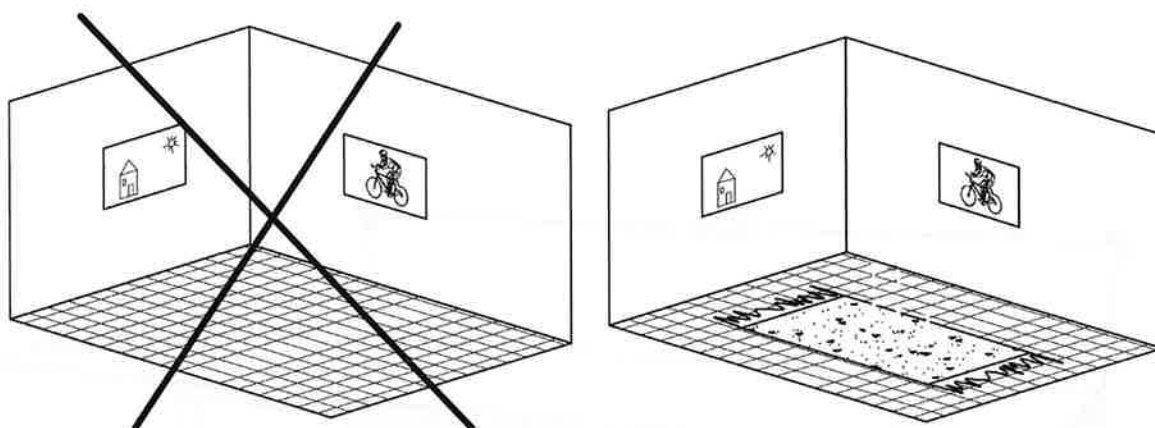
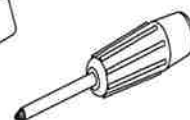
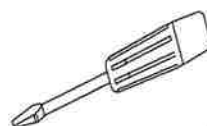
Avalon desk 1200 x 500 x 750



Avalon desk 1200 x 500 x 750



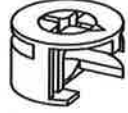




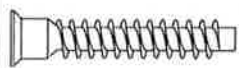





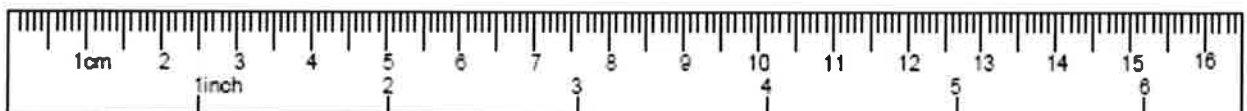
120 min




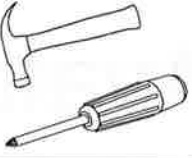


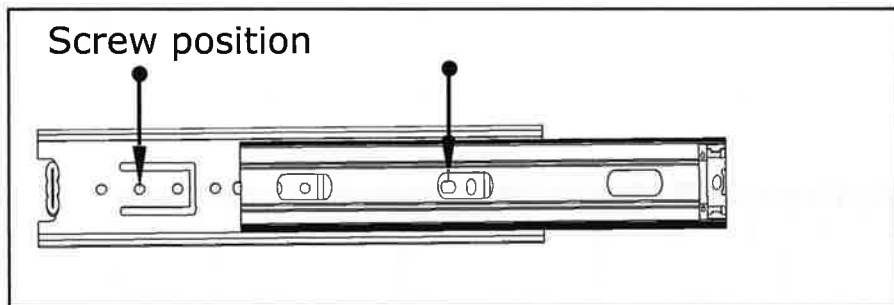
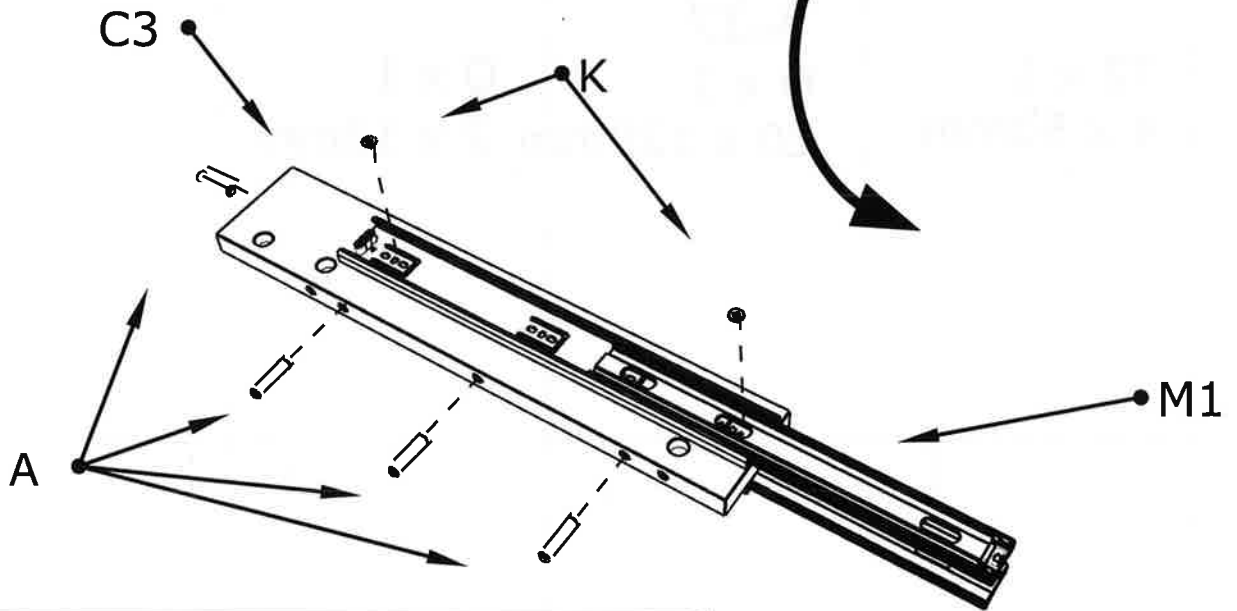
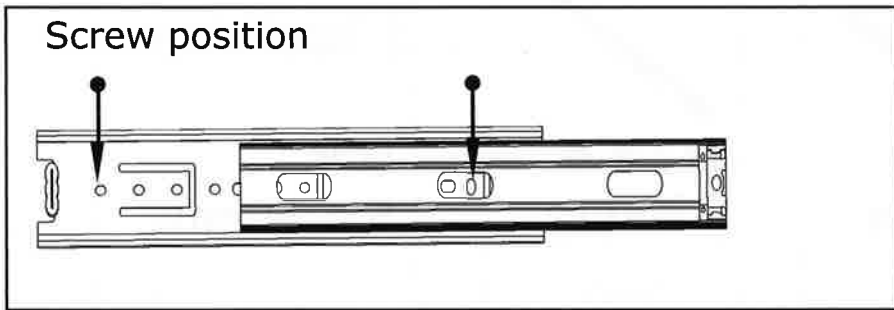
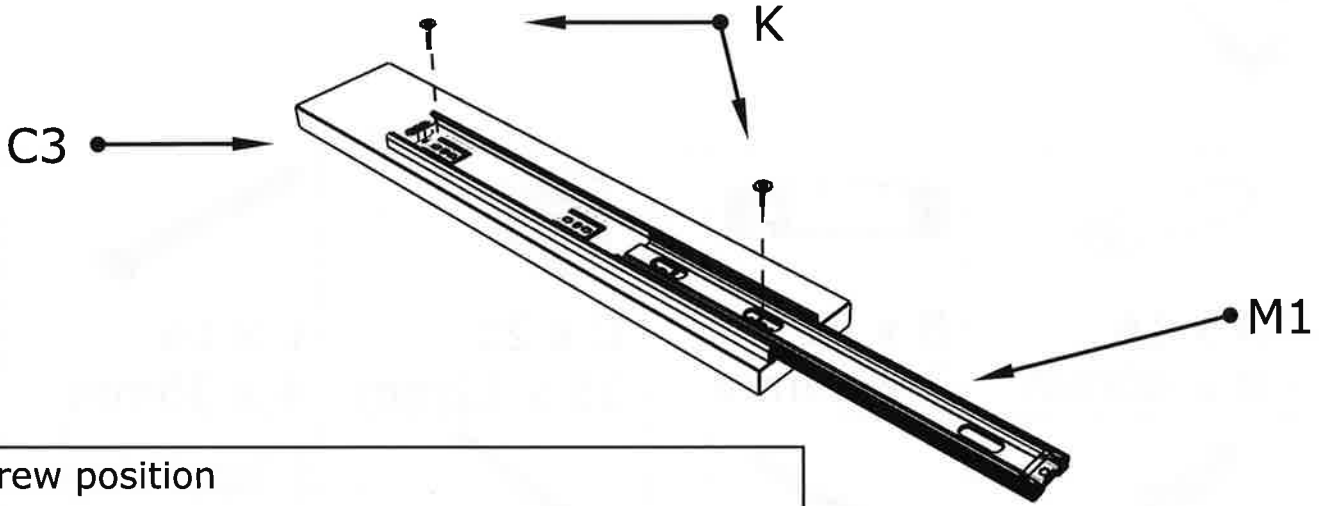
Avalon desk 1200 x 500 x 750



 A x 16 8 x 40mm	 B x 21 7 x 45mm	 C x 21 15 x 12mm	 L x 16 4 x 35mm
 K x 17 4 x 16mm	 M1 x 4 330mm	 M2 x 4 330mm	 D x 1 5 x 50mm
 T2 x 1 4 x 50mm	 O x 1 20 x 120mm	 Q x 1 2 x 12mm	

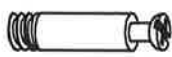


<h1>1</h1>	 A x 4	 K x 4	 M1 x 2	
------------	--	--	--	---

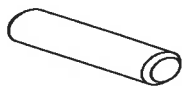


The front edge of the drawer glider should be flush with the front edge of the divider.

2



B x 10



A x 6



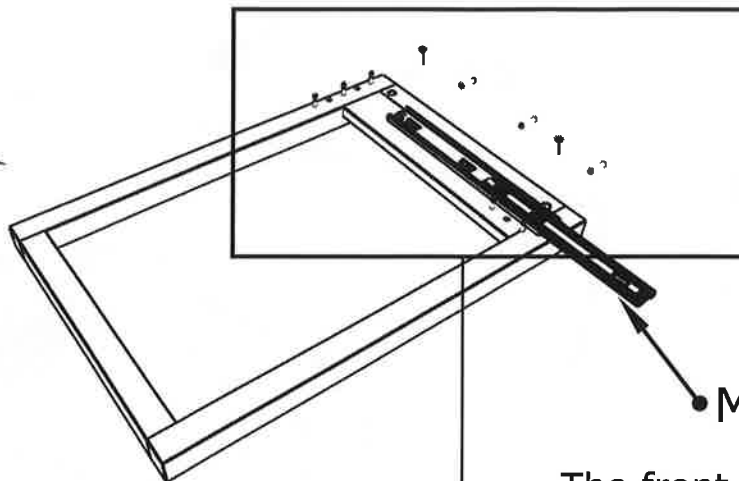
K x 4



M1 x 2

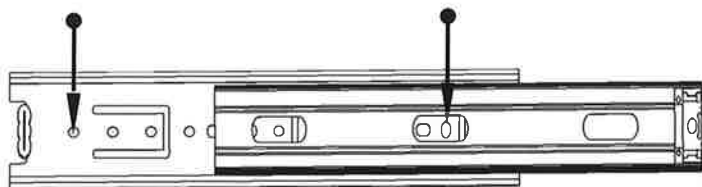


C2 (R)
&
C2 (L)

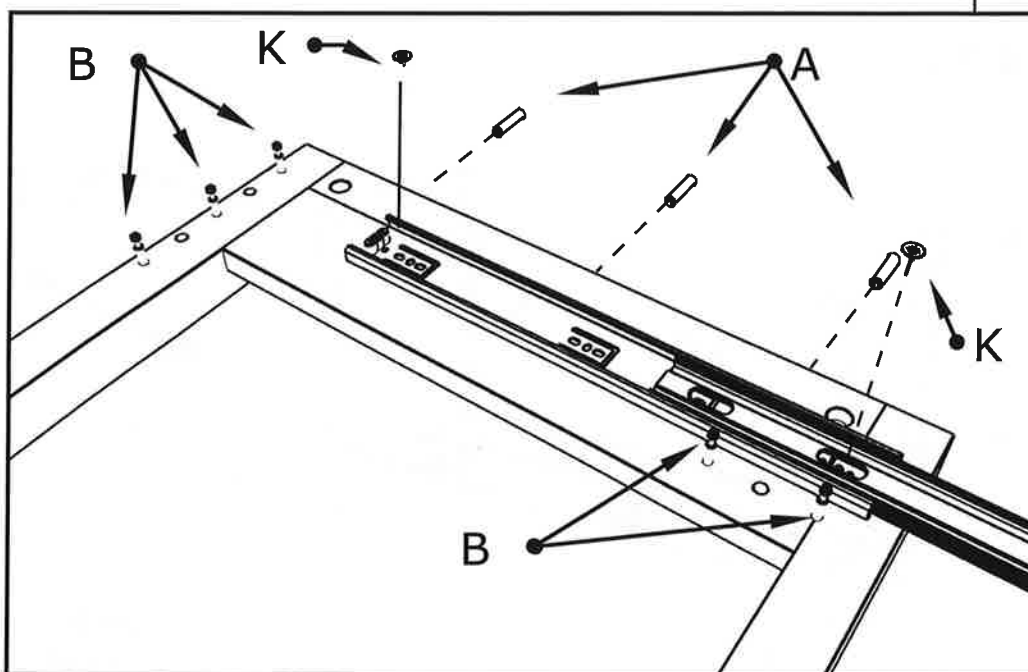


M1


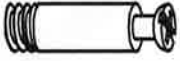

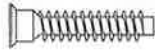

Screw position

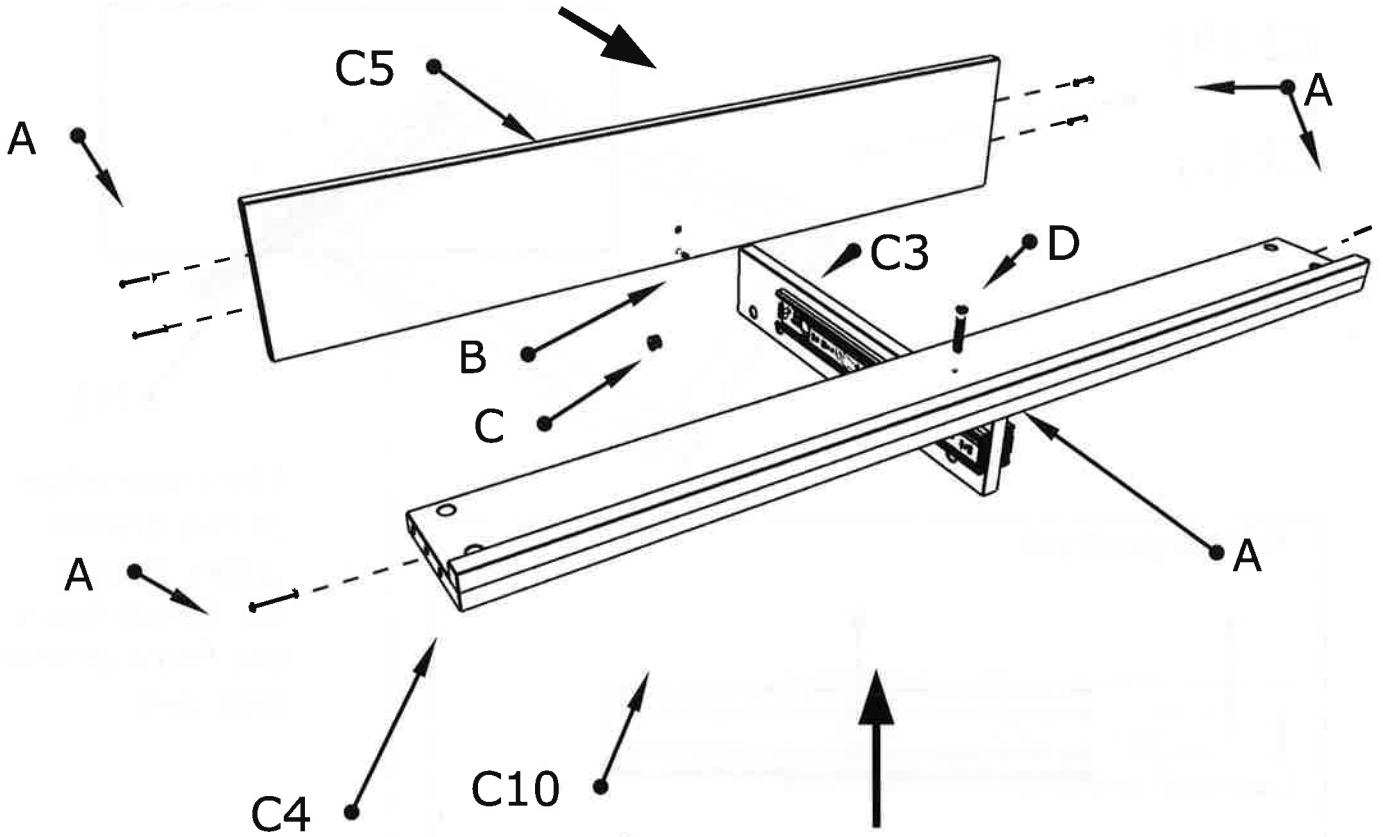


The front edge of the drawer glider should be 18mm from the front of the side unit.

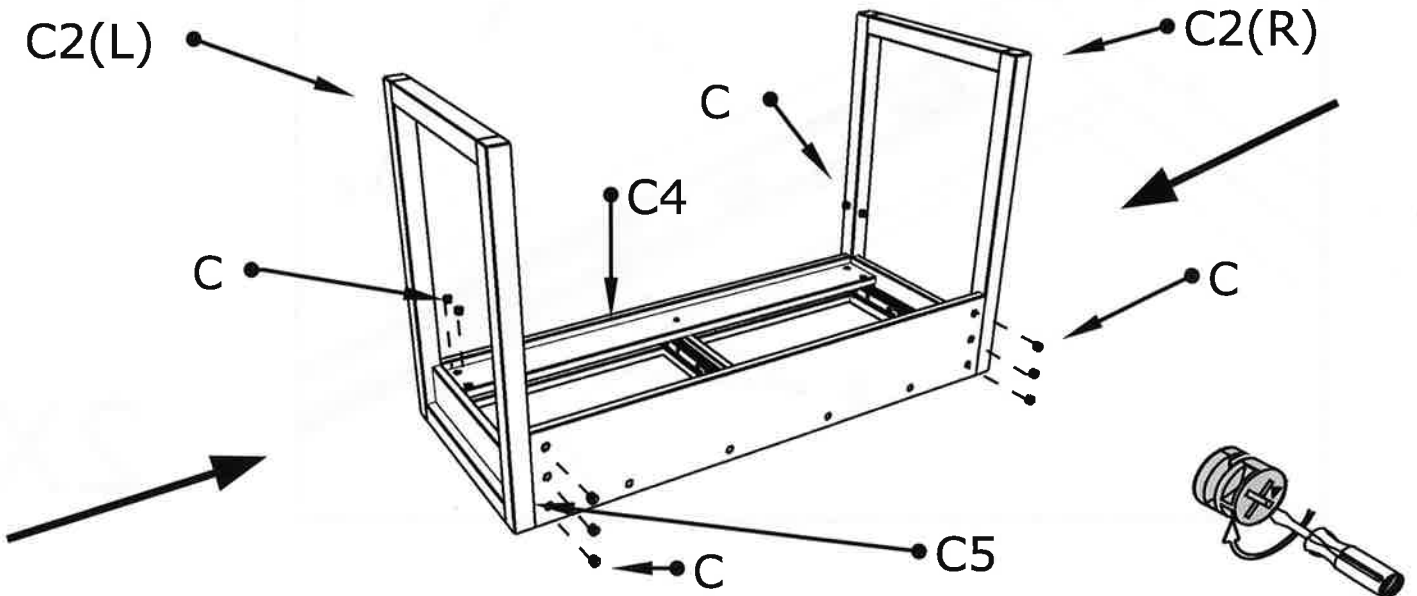


2X

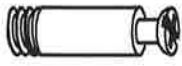
<h1>3</h1>					
	A x 6	B x 1	C x 1	D x 1	



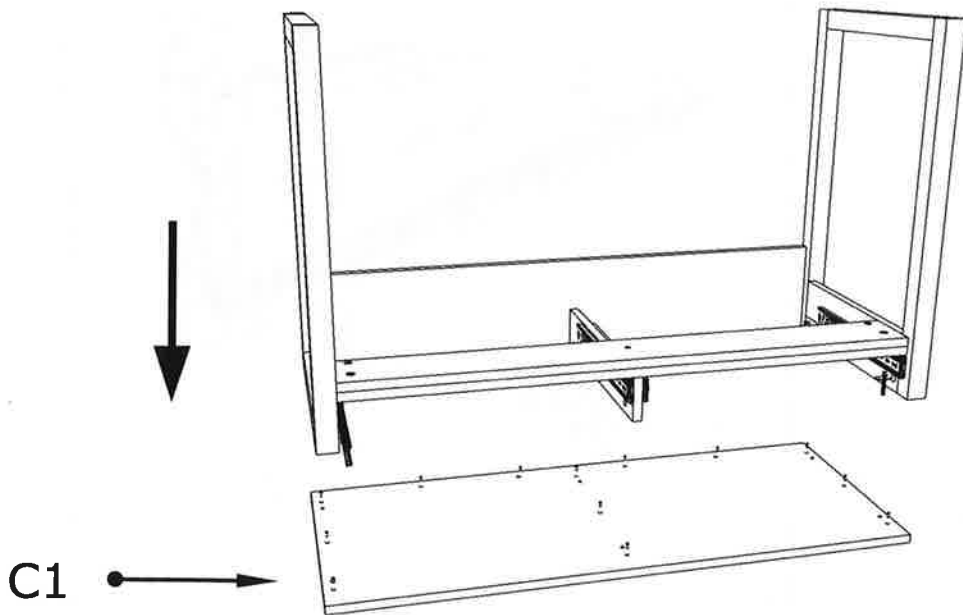
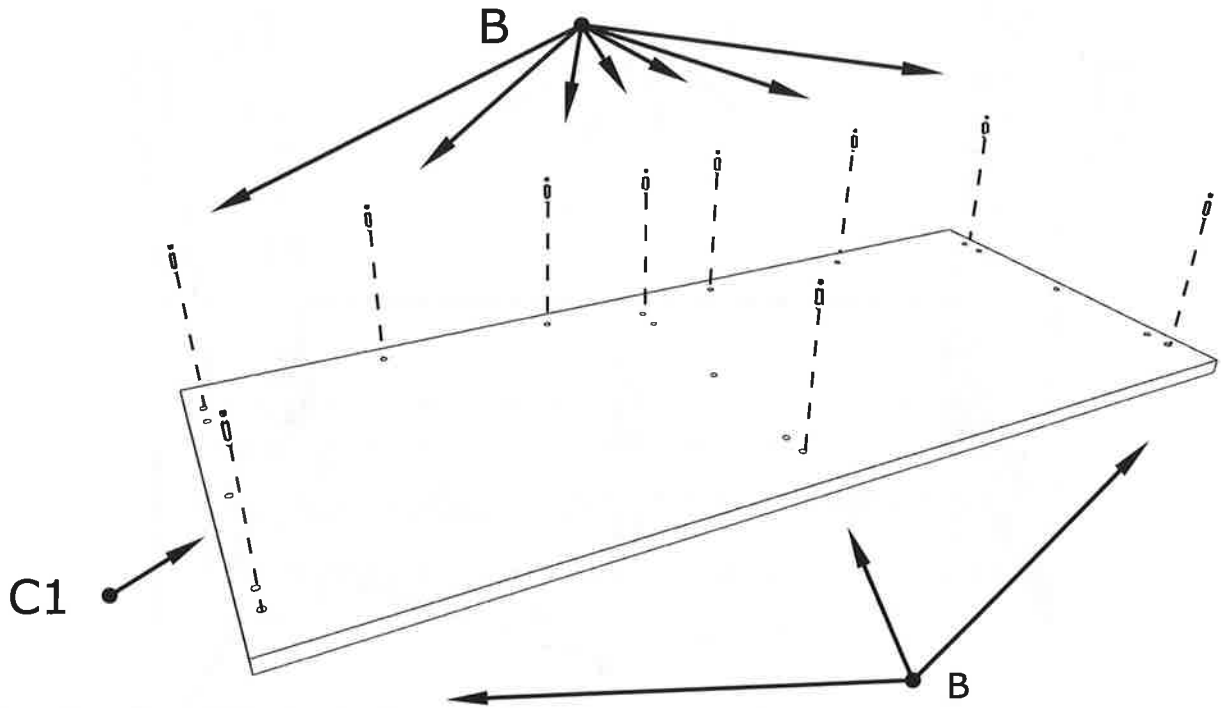
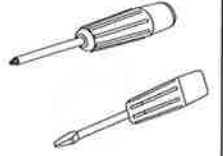
<h1>4</h1>		
	C x 10	



5



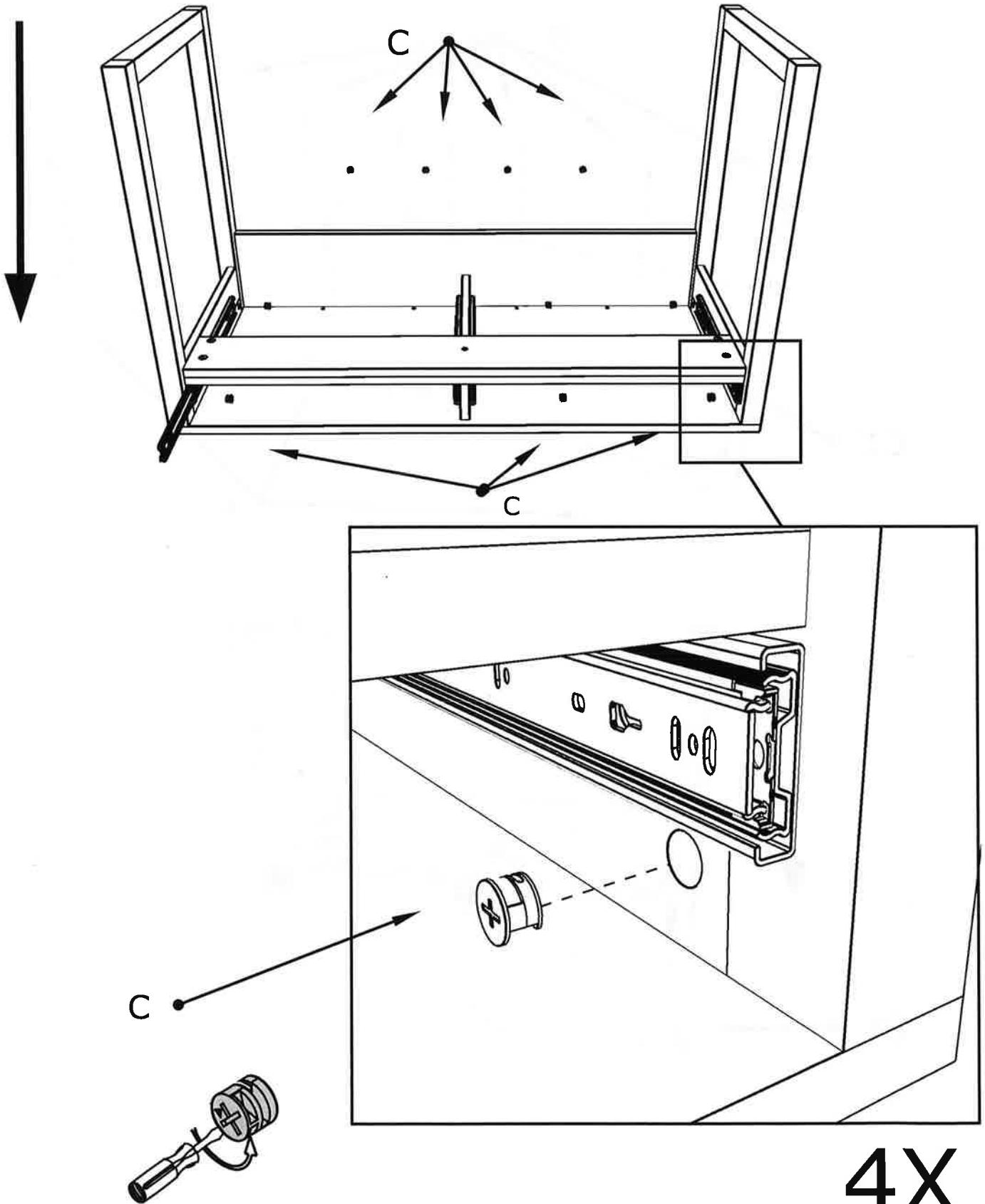
B x 10



6



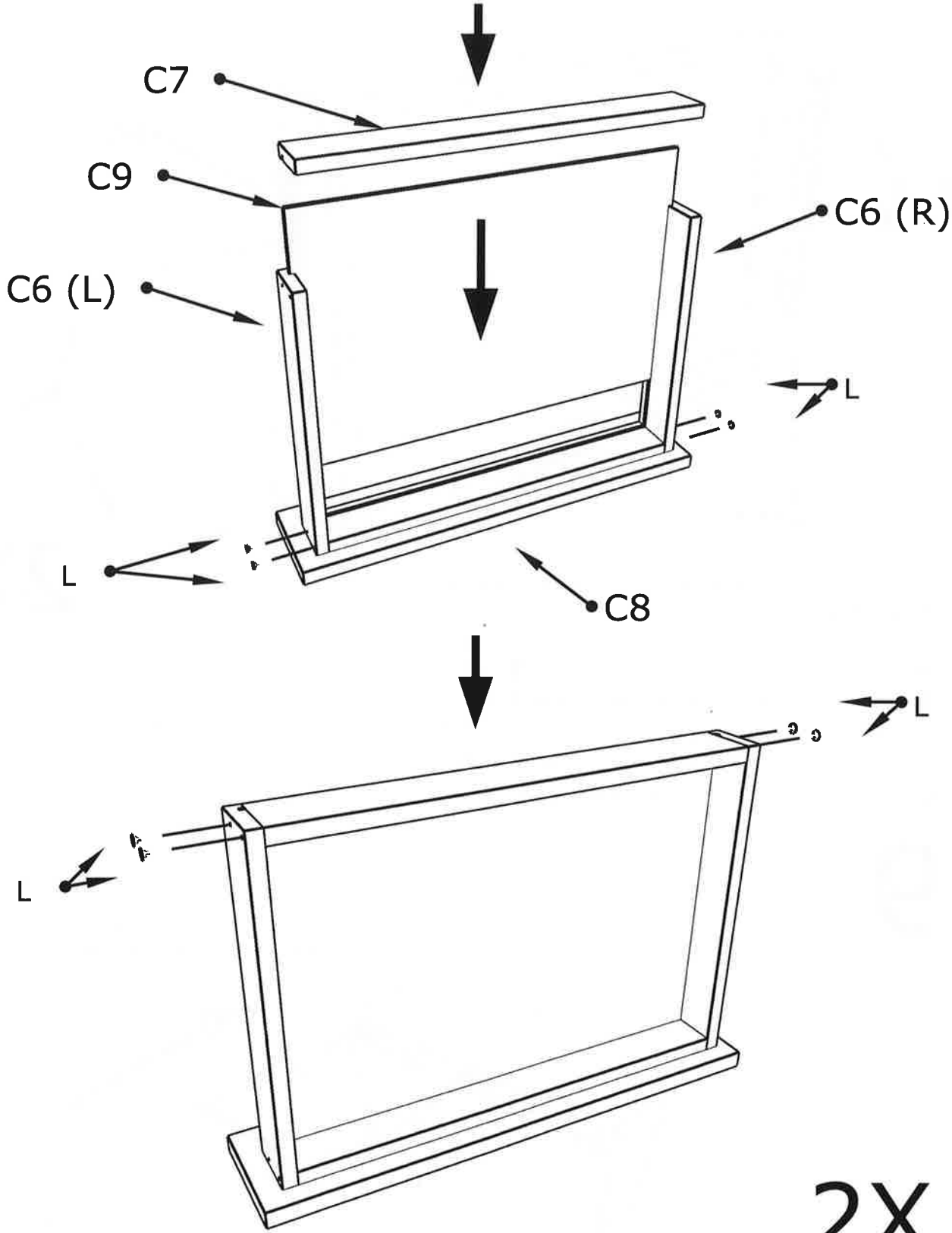
C x 10



7



L x 16



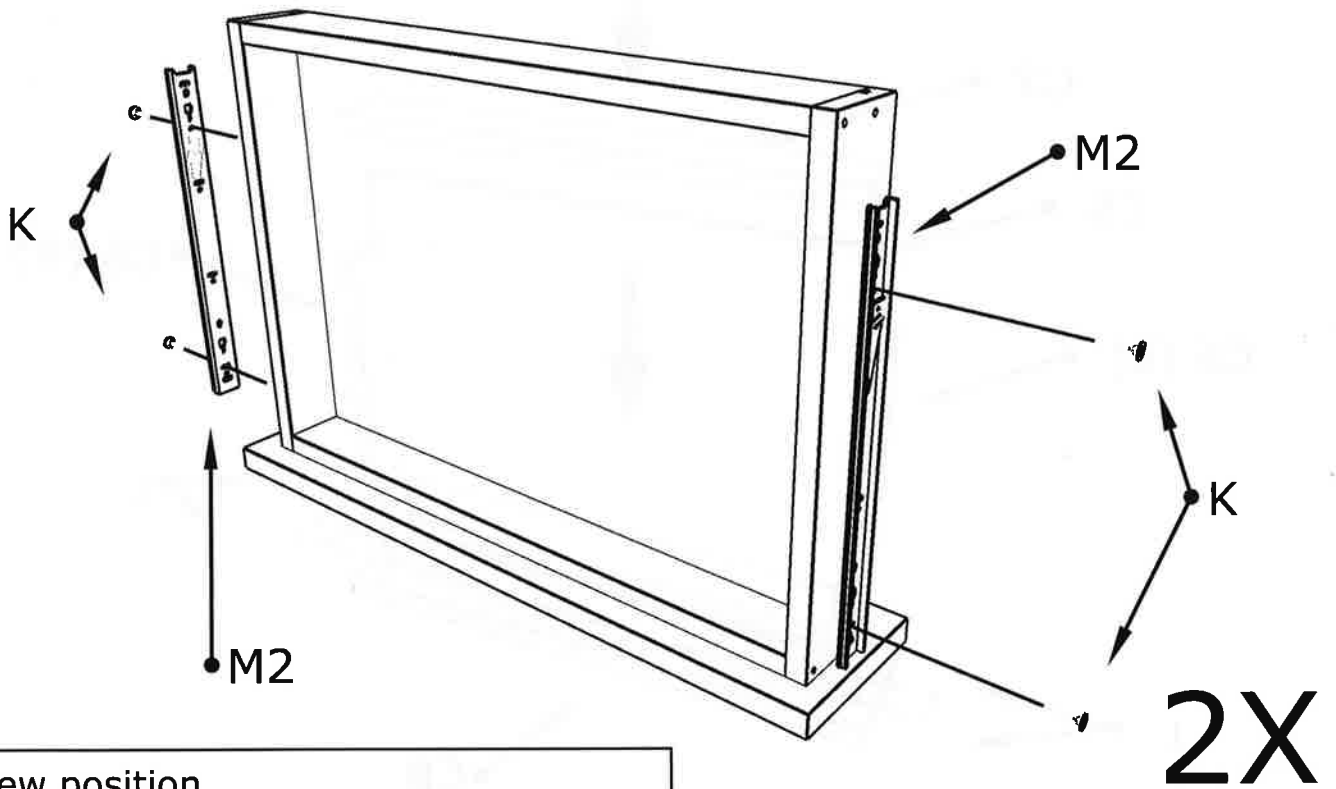
8



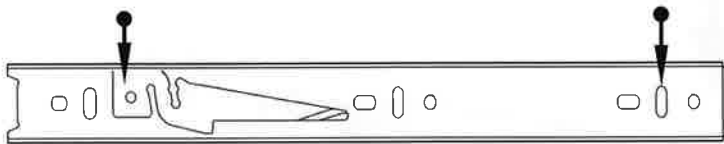
K x 8



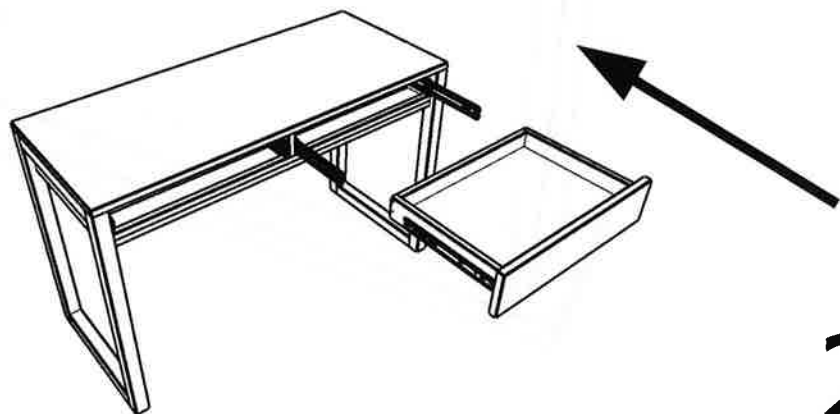
M2 x 4



Screw position



9



10



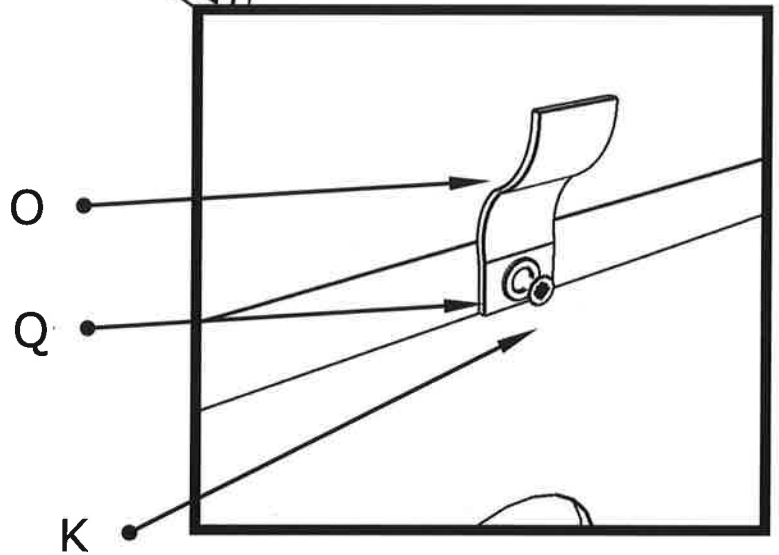
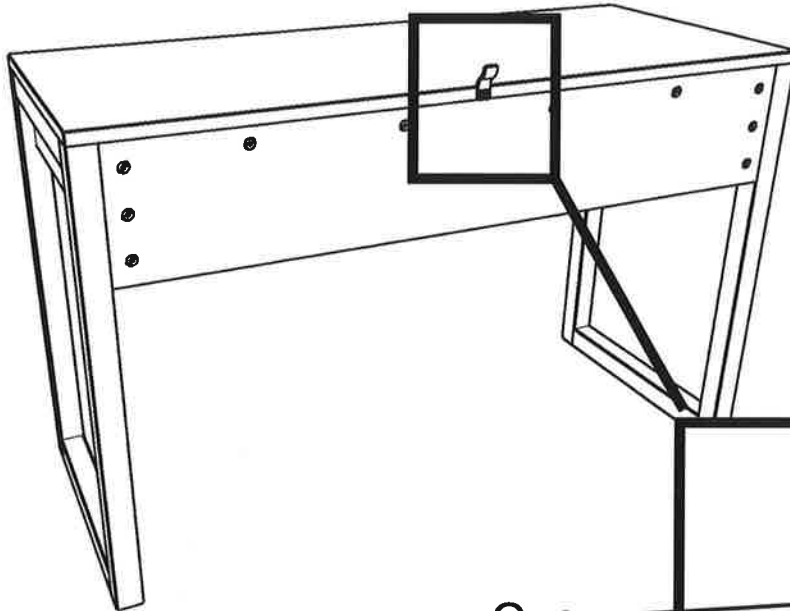
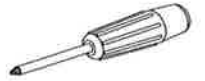
O x 1



Q x 1



K x 1



Mount to wall to hinder the product from toppling
(please make sure to use fastener suited to your wall material)

