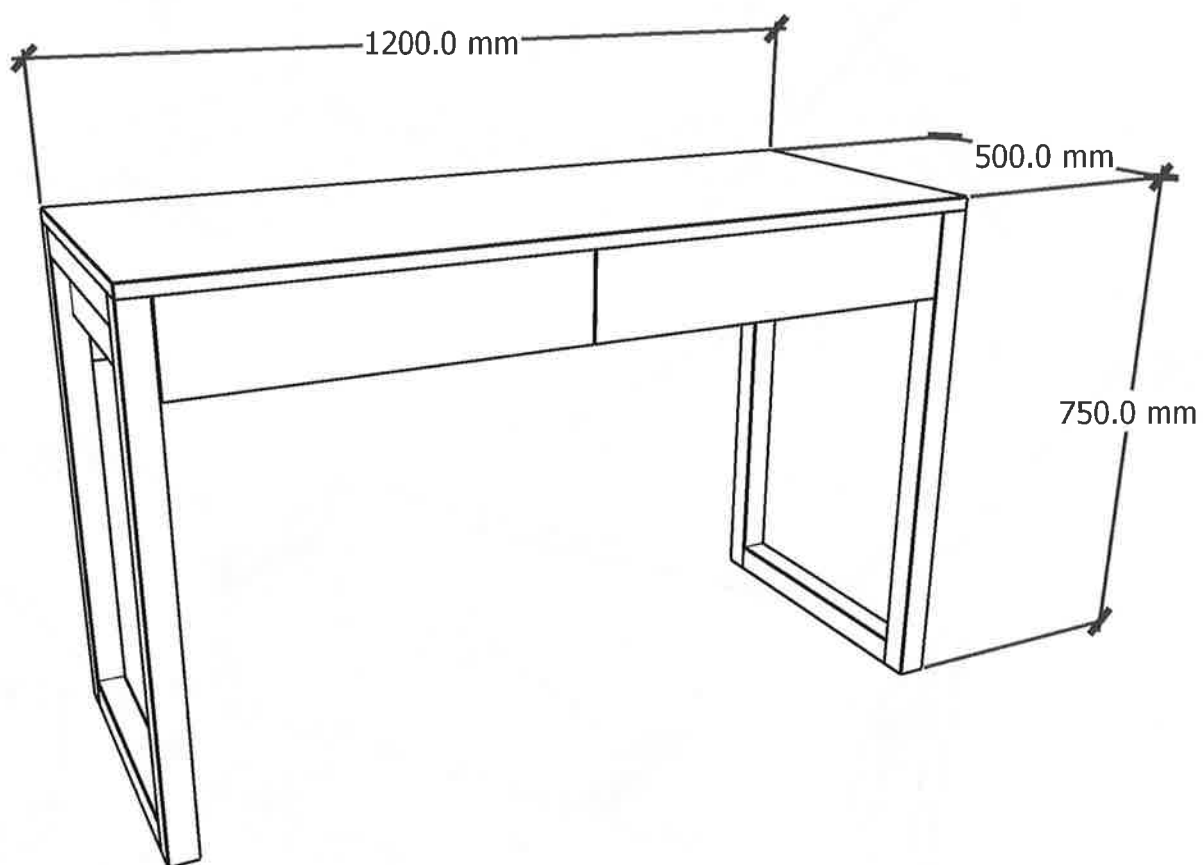


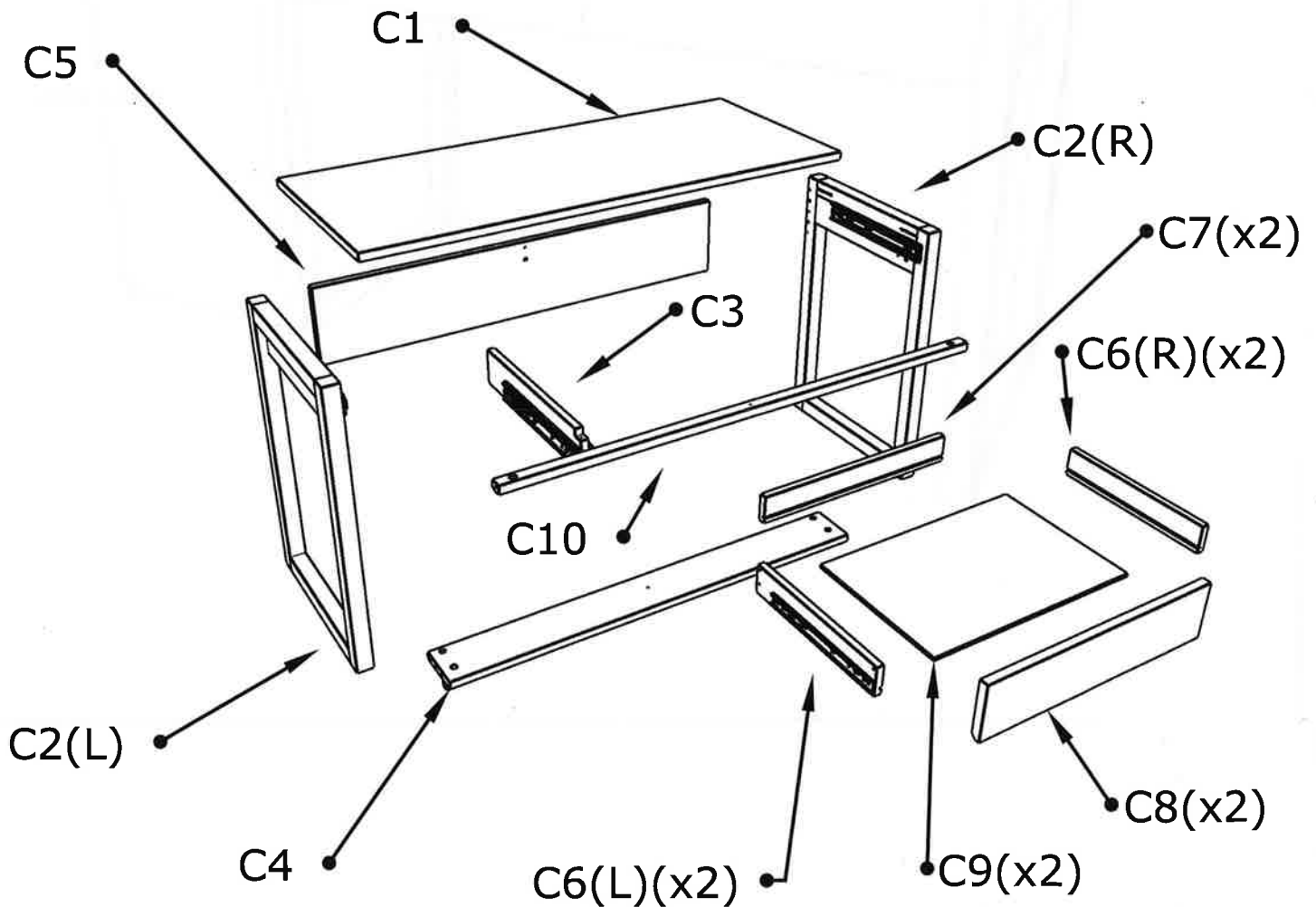
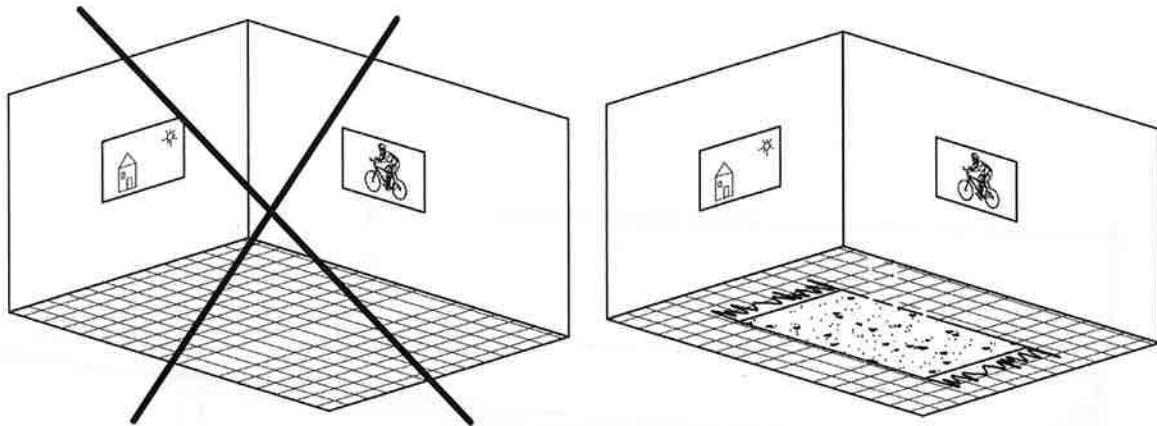
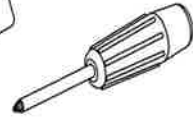
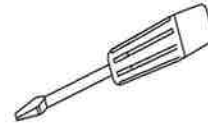
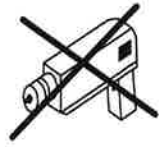
Avalon desk 1200 x 500 x 750



Avalon desk 1200 x 500 x 750

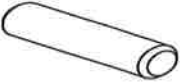






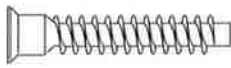




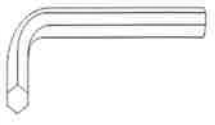


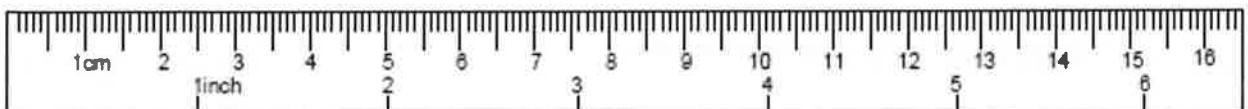
120 min

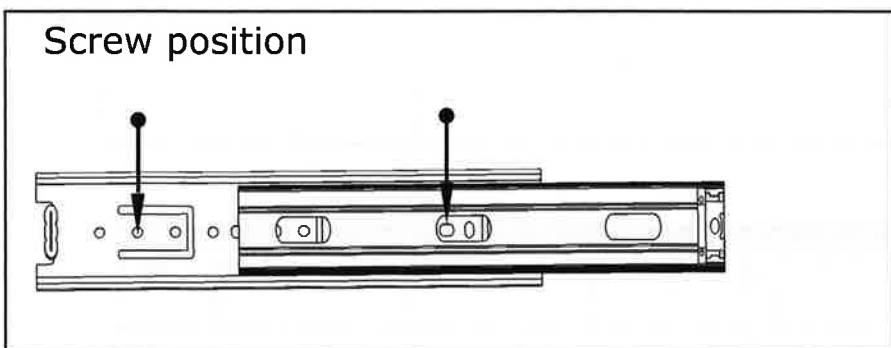
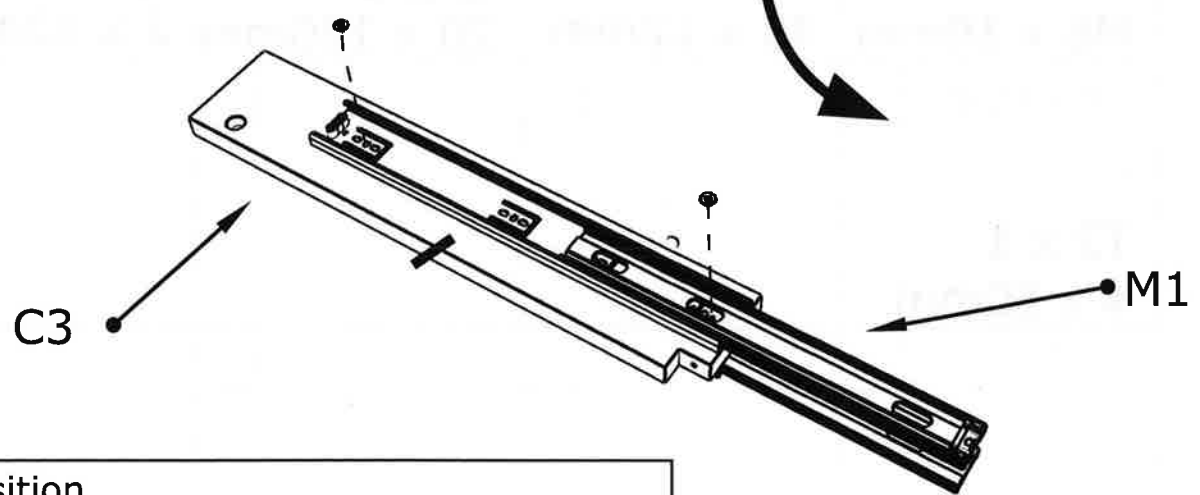
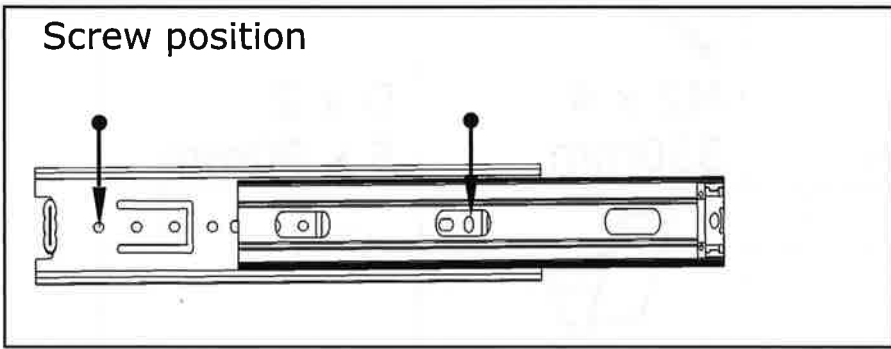
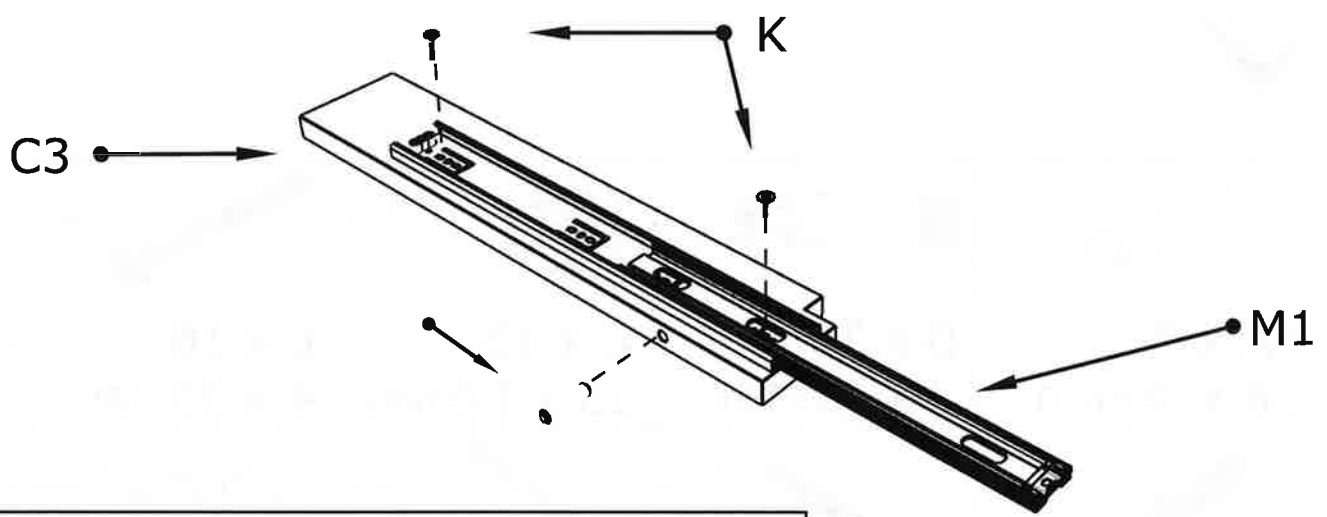
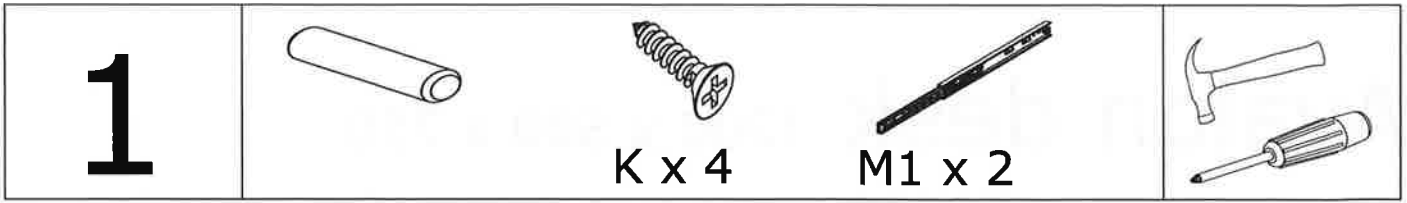


Avalon desk 1200 x 500 x 750



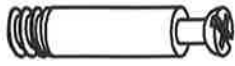
 A x 7 8 x 30mm	 B x 13 7 x 45mm	 C x 13 15 x 12mm	 L x 16 4 x 35mm
 K x 17 4 x 16mm	 M1 x 4 330mm	 M2 x 4 330mm	 D x 2 5 x 50mm
 J x 4 M6 x 10mm	 F x 4 40 x 12mm	 O x 1 20 x 120mm	 Q x 1 2 x 12mm
 T2 x 1 4 x 50mm			





The front edge of the drawer glider should be flush with the front edge of the divider.

2



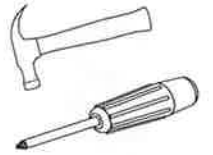
B x 12



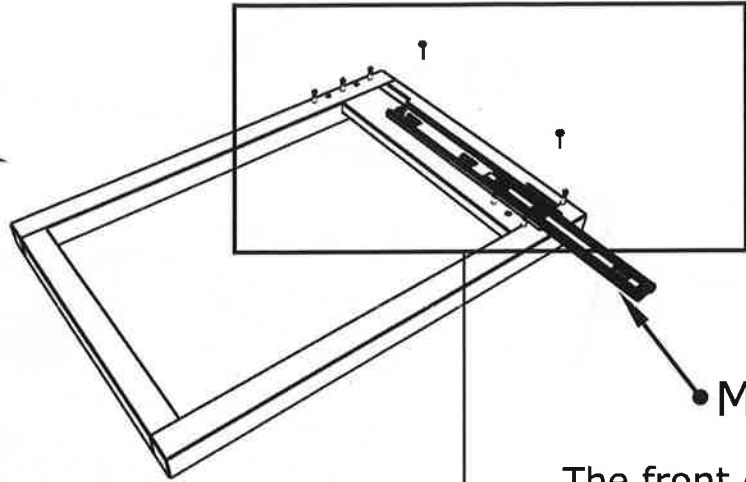
K x 4



M1 x 2



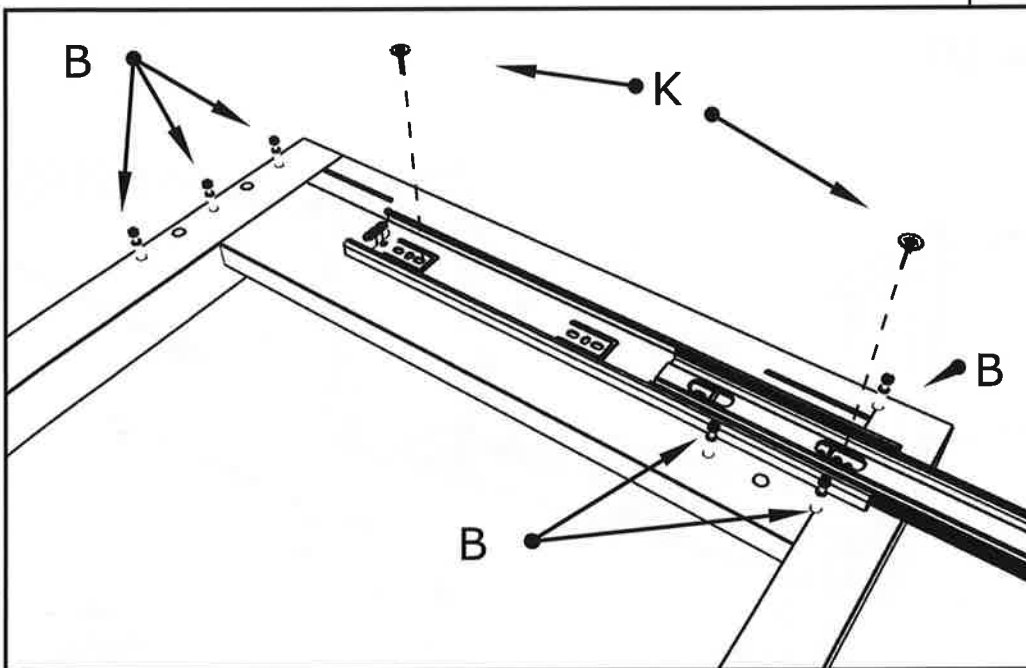
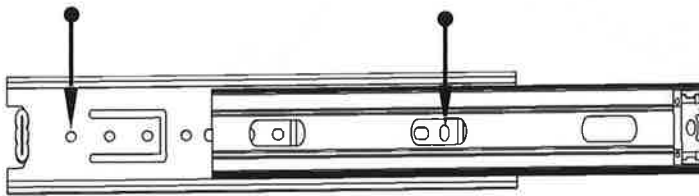
C2 (R)
&
C2 (L)



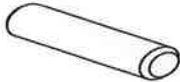


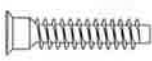

M1

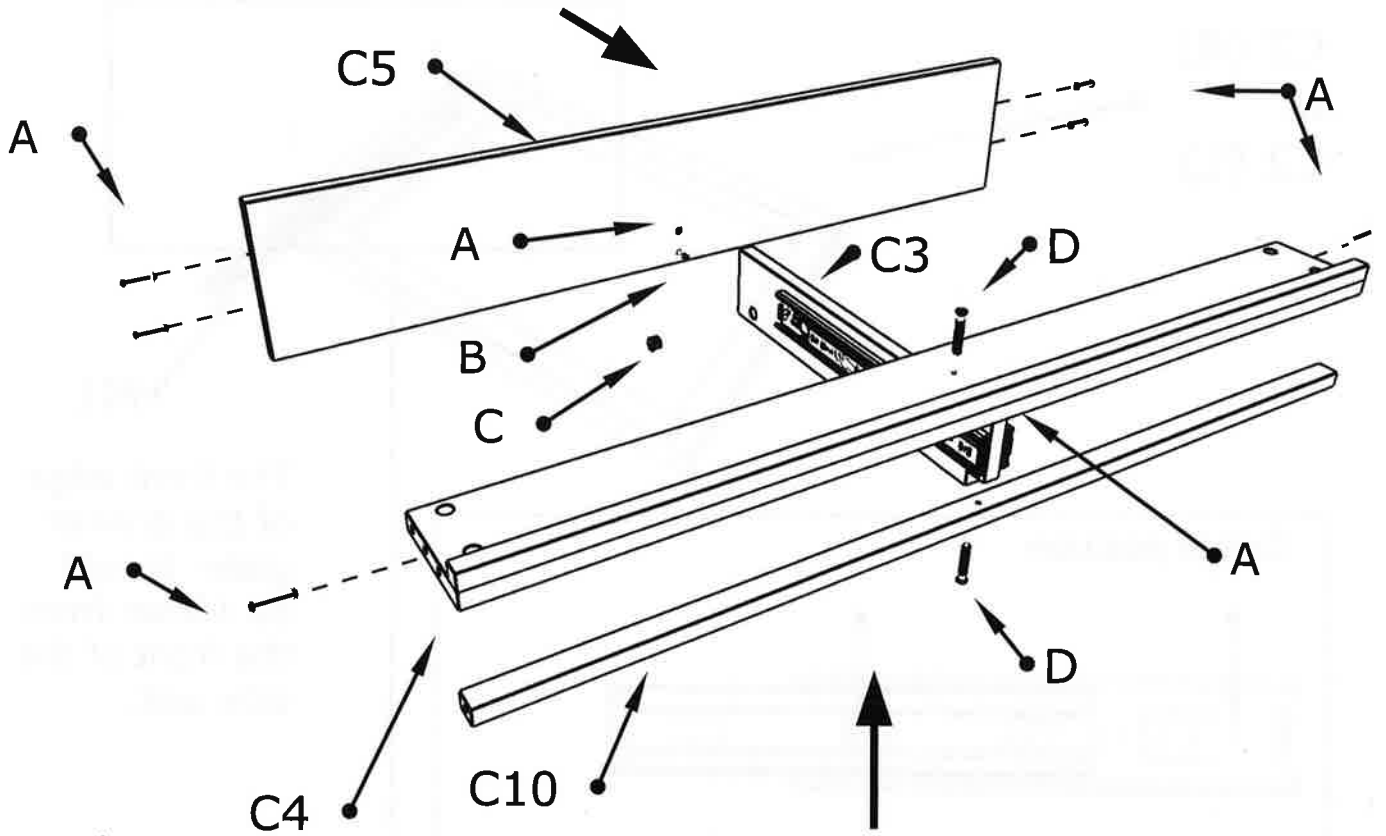
The front edge of the drawer glider should be 18mm from the front of the side unit.

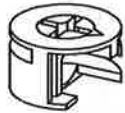

Screw position

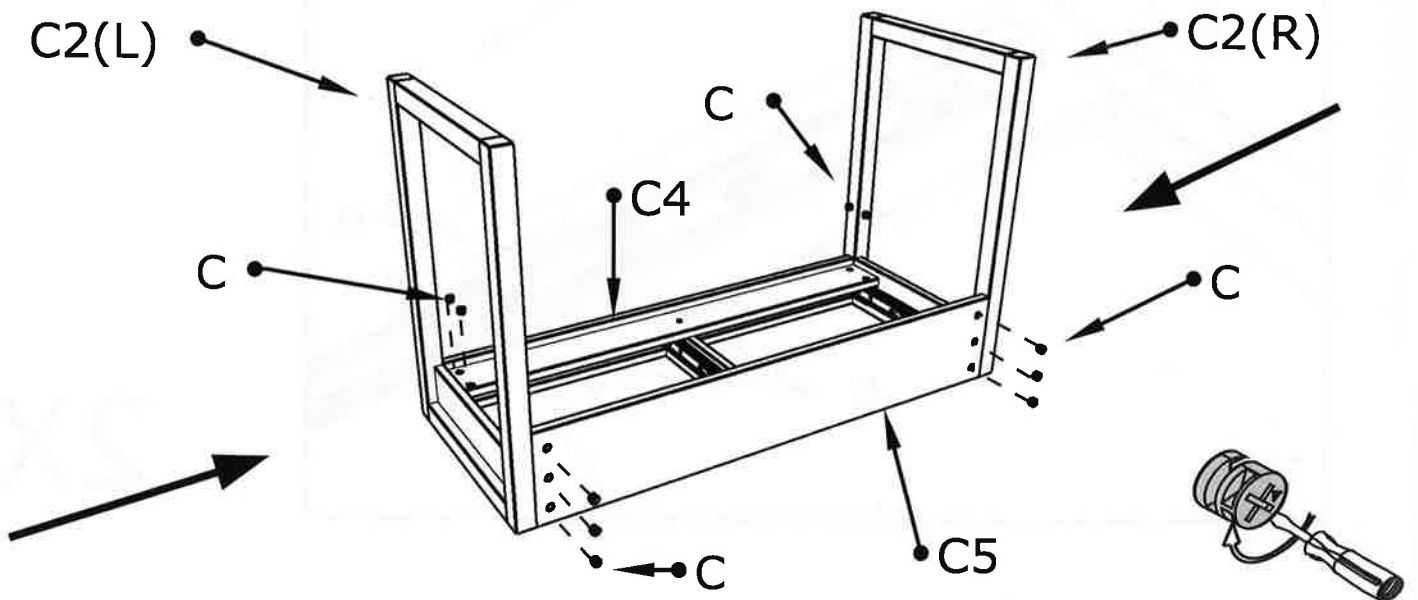


2X

3					
	A x 8	B x 1	C x 1	D x 2	



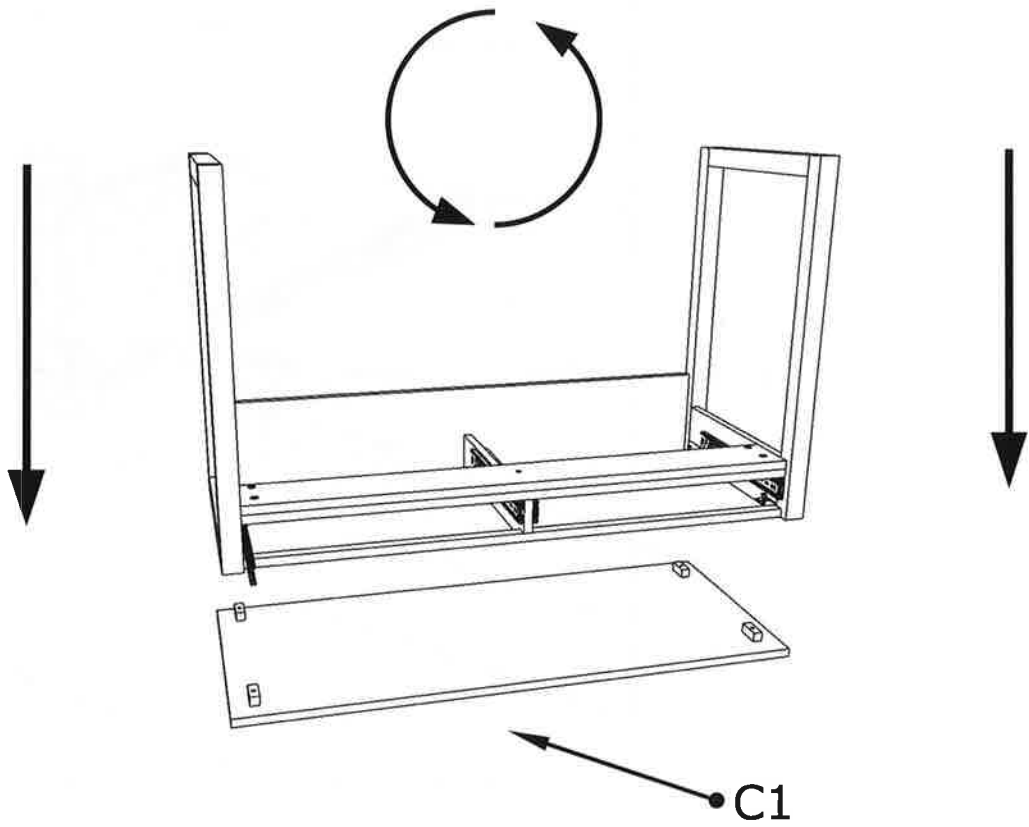
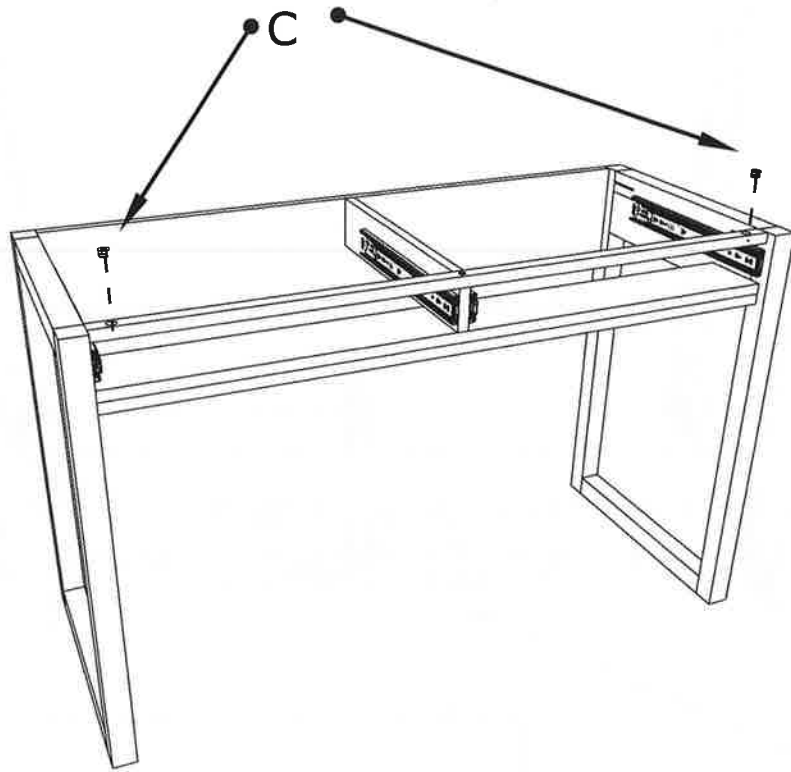
4		
	C x 10	



5



C x 2



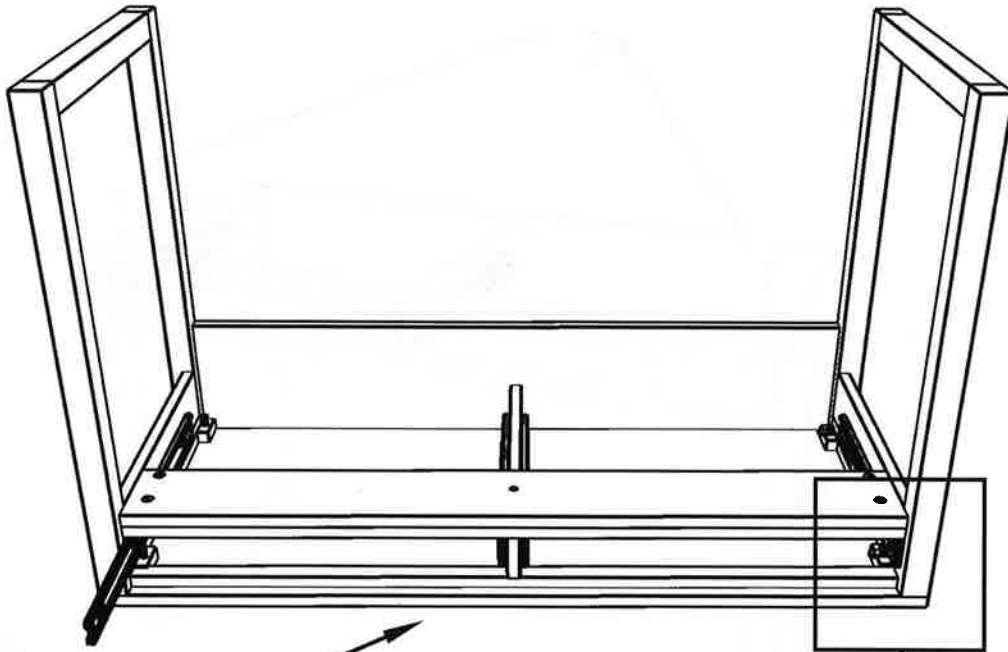
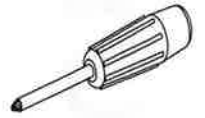
6



J x 4



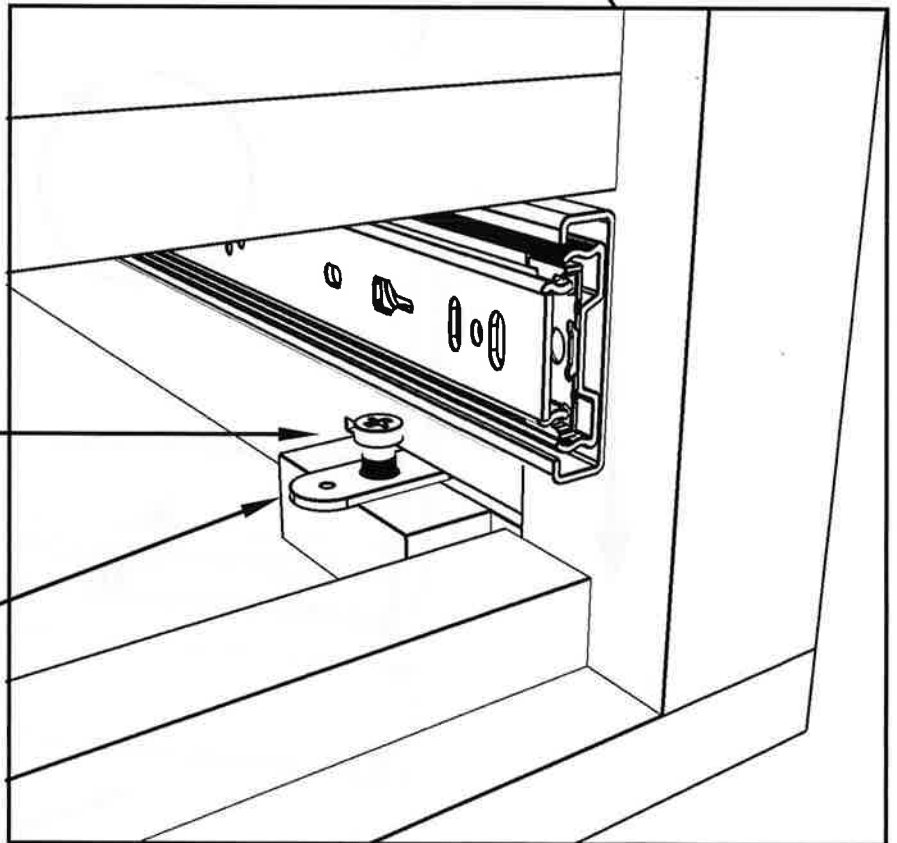
F x 4



C1

J

F

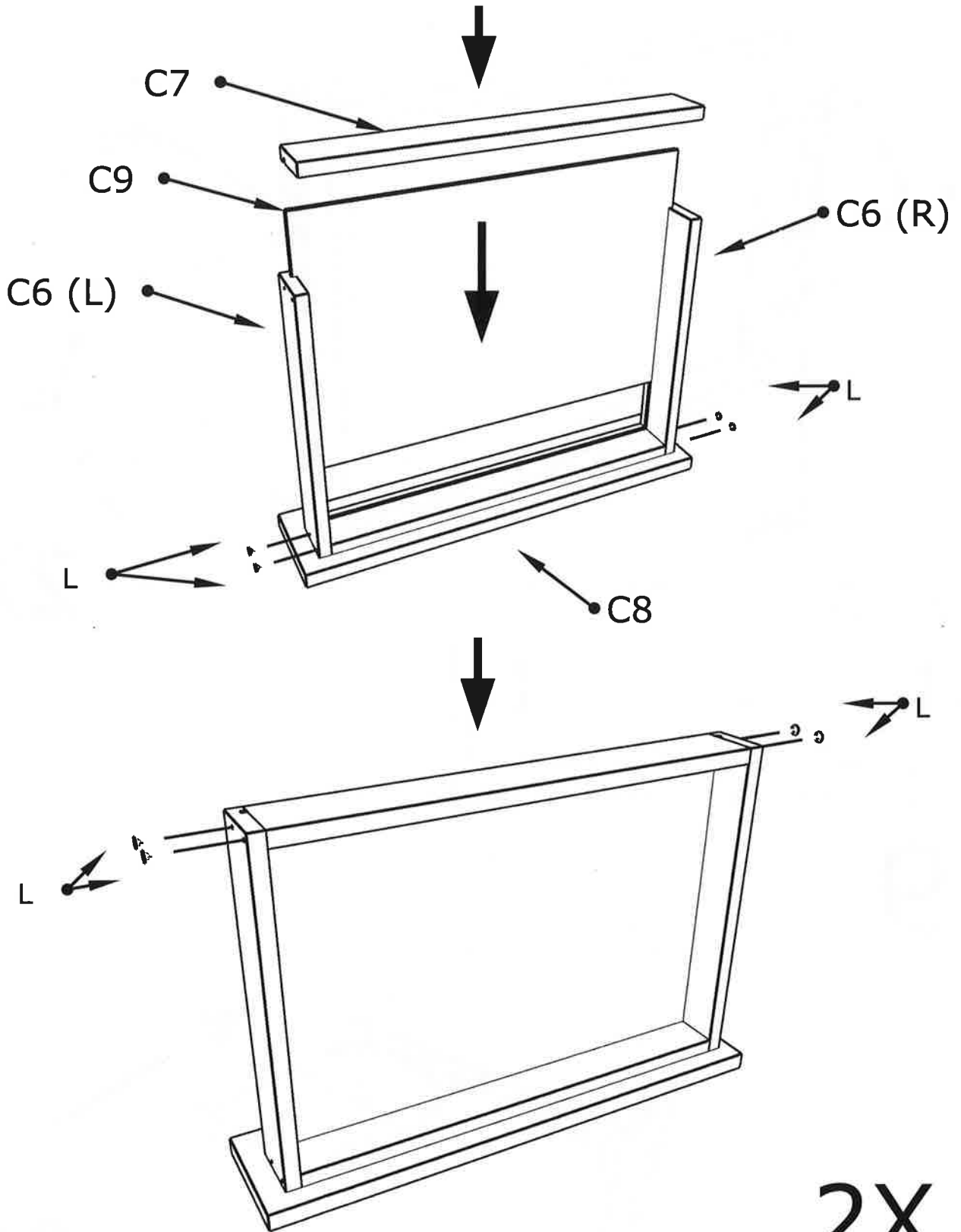


4X

7



L x 16



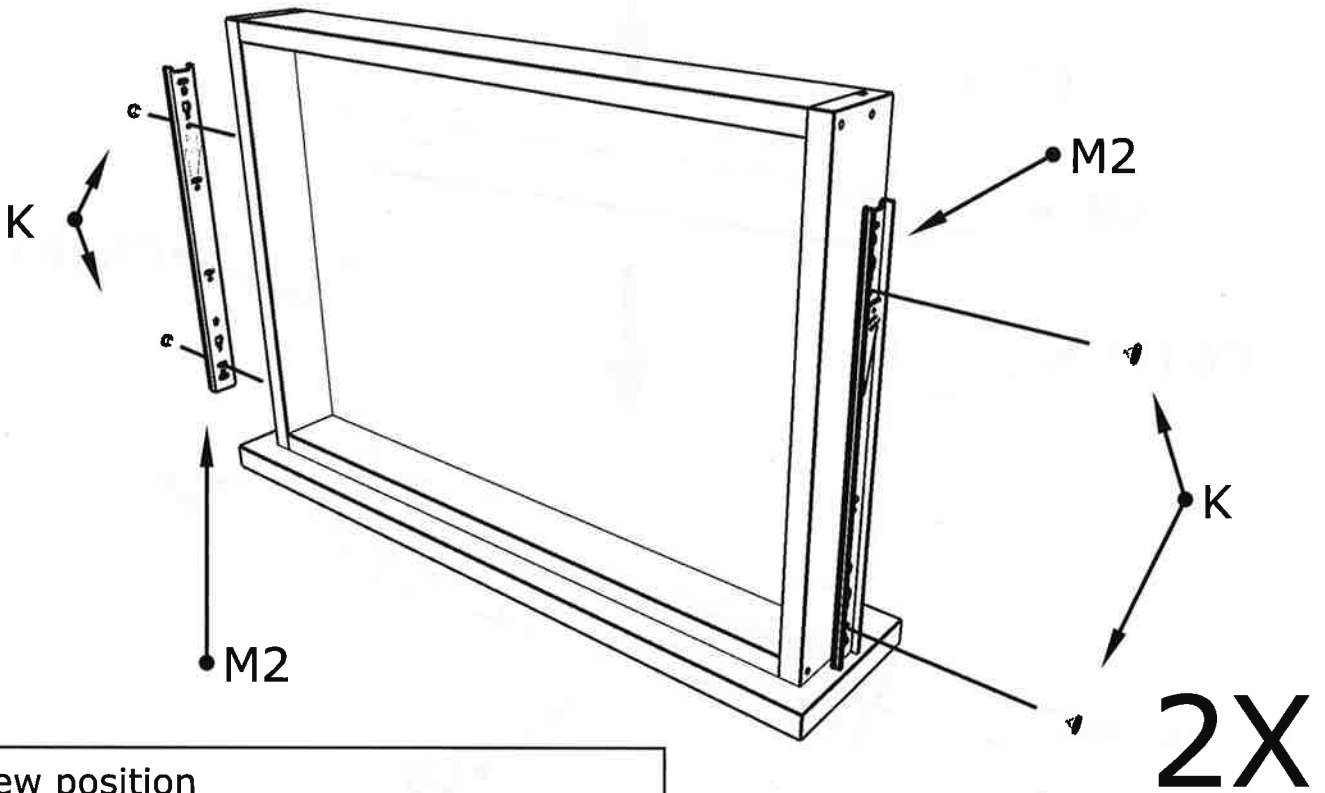
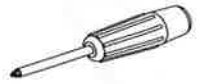
8



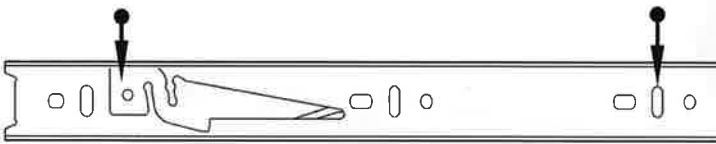
K x 8



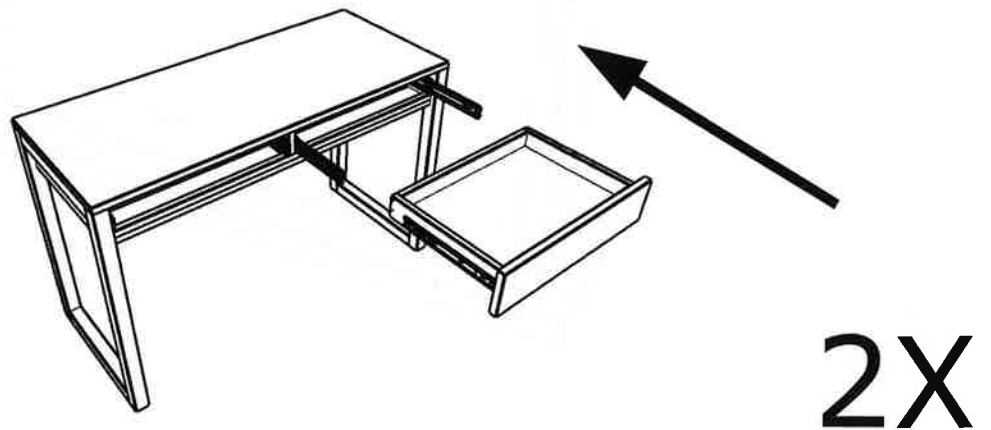
M2 x 4



Screw position



9



10



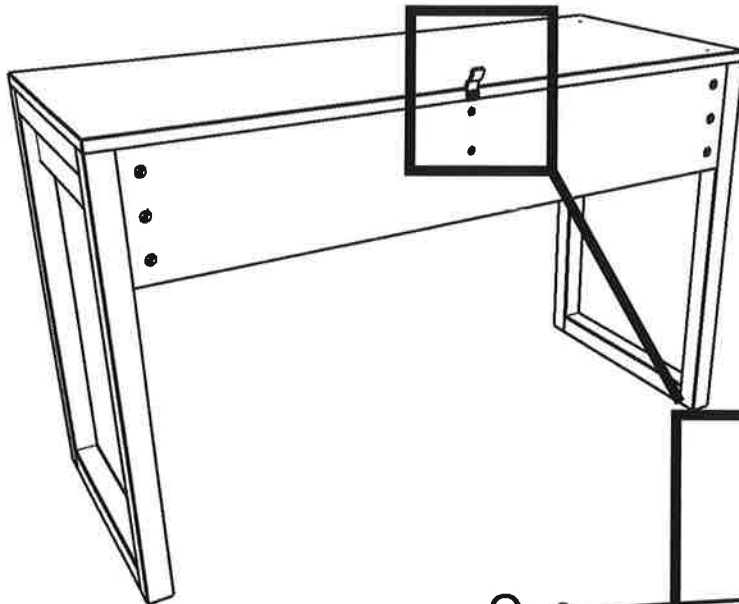
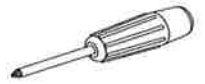
O x 1



Q x 1



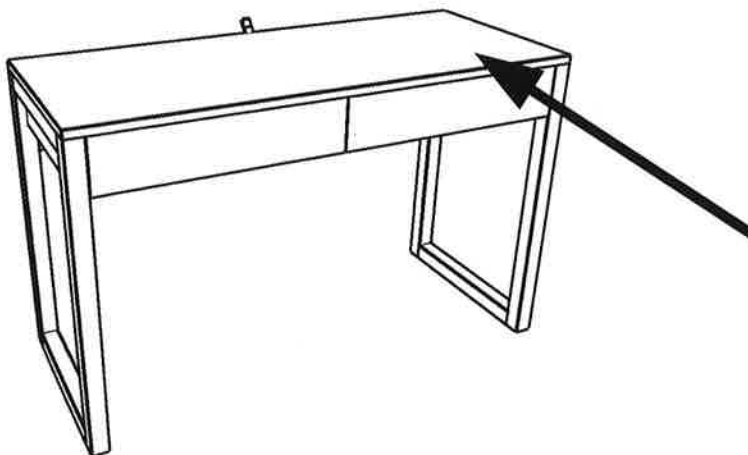
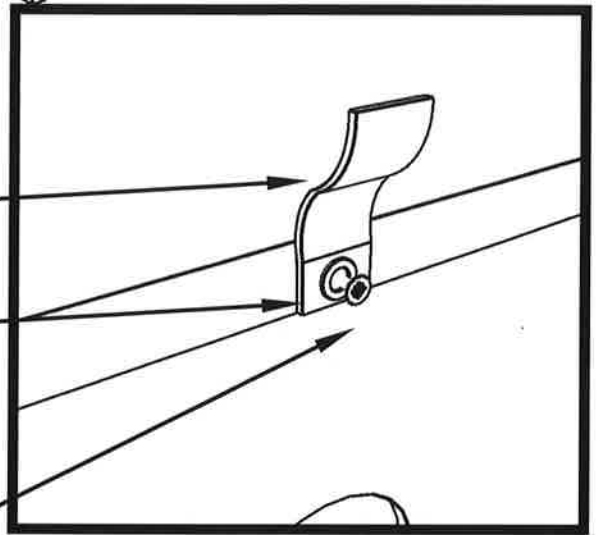
K x 1



O

Q

K



Mount to wall to hinder the product from toppling
(please make sure to use fastener suited to your wall material)

