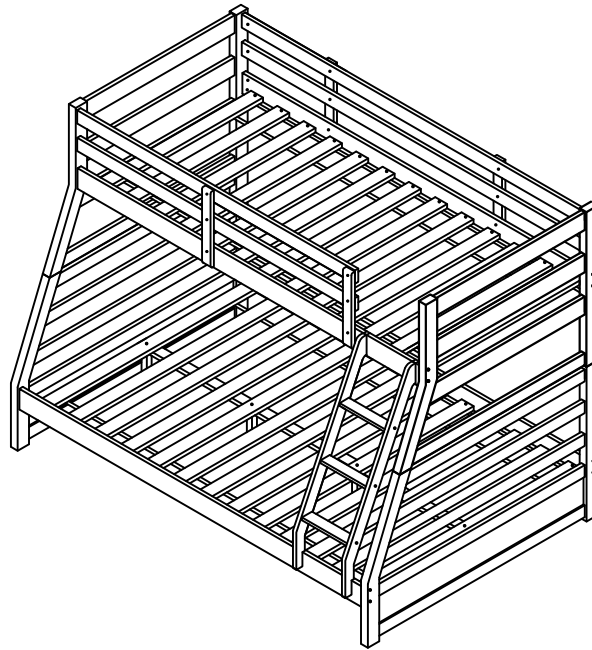


ATLANTA BUNK BED



WARNING

TO HELD PREVENT SERIOUS OR FATAL INJURIES FROM ENTRAPMENT OR FALLS :

- * Standard No : AS/NZS 4220 : 2010
- * Never allow child under 9 years on upper bunk .
- * Use only mattress meeting the specifications on the upper bunk :

Bed type	Length	With
Standard length	1920 mm	920/ 1370 mm
- * Ensure thickness of mattress and foundation combined does not exceed 200mm (8") and mattress is at least 160mm below upper edge of guardrails .
- * Guardrails must be attached on both sides of bunk for strength and stability of bed .
- * Prohibit horseplay on or under the bed(s) .
- * Prohibit more than one person on upper bunk .
- * Ladder must be used when entering and leaving upper bunk bed .
- * Distributor's name : Salamander Enterprises Ltd

**WARNING : TOP BUNKS AND ELEVATED BEDS
ARE DANGEROUS AND ARE NOT RECOMMENDED
FOR CHILDREN UNDER THE AGE OF 9**

Fall from elevated beds can be fatal and deaths have occurred where children have fallen from elevated beds . This is relevant for all ages . The risk is greater for younger children .

The risk of injury or death from an elevated bed compared to a non - elevated bed is :

- 10 x greater for 7 - 8 years old
- 7 x greater for 9 - 10 years old
- 3 x greater for 11 - 12 years old

- * Children should be discouraged from playing on the bunk bed .
- * The bunk bed should be checked periodically to ensure that the guardrail , access device and other component are maintained in the correct position and state of repair and that all connectors are tight .

WARNING : The upper bunk bed must be more than 2 m from any ceiling fan .

ASSEMBLY INSTRUCTION

ASSEMBLY TIPS :

- 1 . Remove hardware from box and sort by side .
- 2 . Please check to see that all hardware and parts are present prior start of assembly .
- 3 . Please follow attached intruction in tha same sequence as numbered to assure fast and easy assembly .

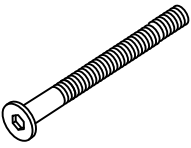


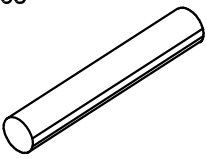
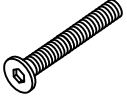

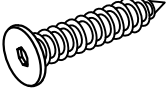
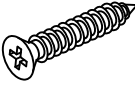

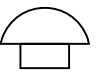
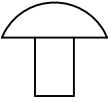
Minimum No . of people ②

Recommended to assemble this product

Approximately assembly time ①

HARDWARE LIST

Component parts and fittings contained in the box

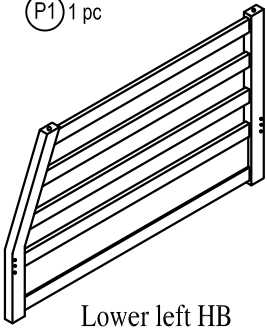
<p>① H1 22 Pcs</p>  <p>Hexagon Screw : $\frac{1}{4}$ x 80 (mm)</p>	<p>② H2 22 Pcs</p>  <p>Helix: $\frac{1}{4}$ x 13 (mm)</p>	<p>③ H3 32 Pcs</p>  <p>Dowel wood : ϕ 10 x 40 (mm)</p>
<p>④ H4 4 Pcs</p>  <p>Wooden dowel : ϕ 12 x 90 (mm)</p>	<p>⑤ H5 17 Pcs</p>  <p>Hexagon Screw : $\frac{1}{4}$ x 30 (mm)</p>	<p>⑥ H6 1 Pc</p>  <p>Allen key 4 mm</p>
<p>⑦ H7 6 Pcs</p>  <p>Screw : 6.3 x 50 (mm)</p>	<p>⑧ H8 60 Pcs</p>  <p>Screw : ϕ 4 x 30 (mm)</p>	<p>⑨ H9 8 Pcs</p>  <p>Screw : ϕ 4 x 25 (mm)</p>
<p>⑩ H10 22 Pcs</p>  <p>Wooden Cap</p>	<p>⑪ H11 4 Pcs</p>  <p>Wooden Cap</p>	

Please sort out all parts before you begin to assembly the item . This is to make sure you always use the correct part .

LIST DETAIL

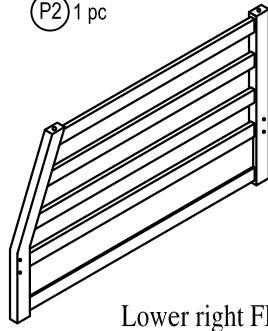
WARNING : Keep small components out of the reach of children

P1 1 pc



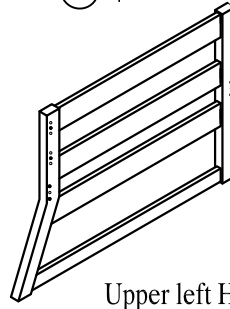
Lower left HB

P2 1 pc



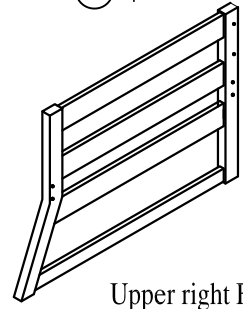
Lower right FB

P3 1 pc



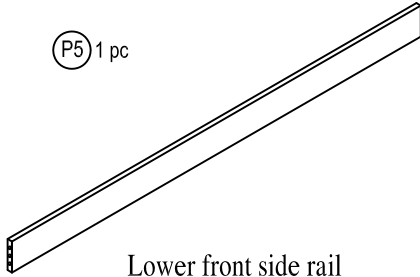
Upper left HB

P4 1 pc



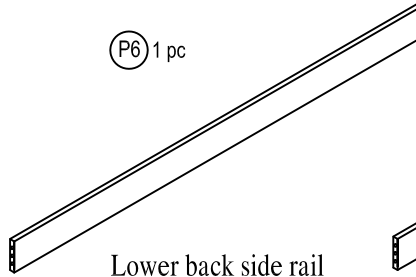
Upper right FB

P5 1 pc



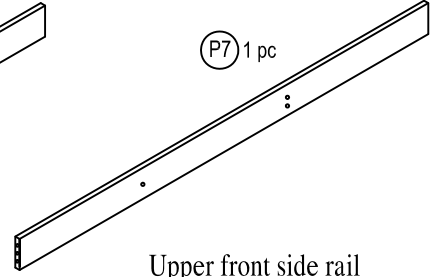
Lower front side rail
(No hole)

P6 1 pc



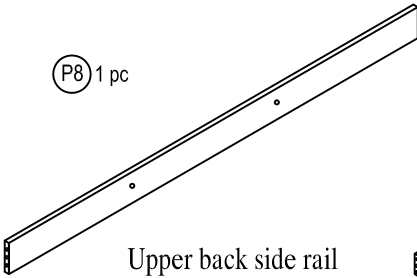
Lower back side rail
(No hole)

P7 1 pc



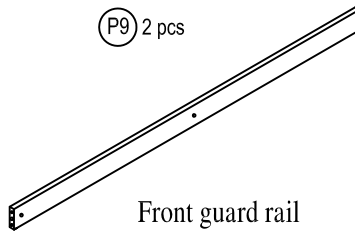
Upper front side rail
(3 holes)

P8 1 pc



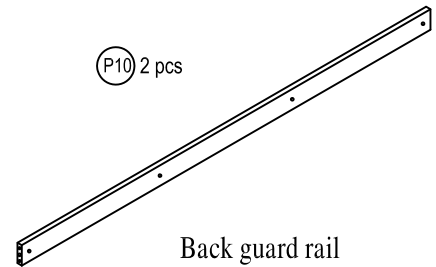
Upper back side rail
(2 holes)

P9 2 pcs



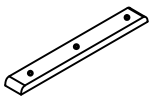
Front guard rail
(2 holes)

P10 2 pcs



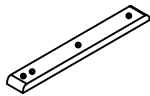
Back guard rail
(2 holes)

P11 3 pcs



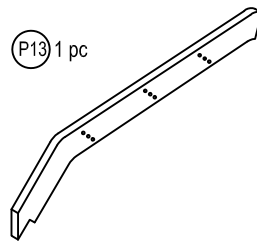
Support guard rails

P12 1 pc



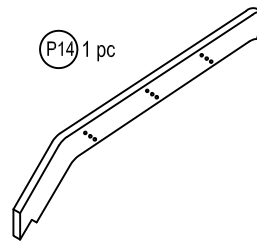
Support guard rails

P13 1 pc



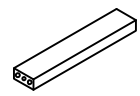
Left ladder

P14 1 pc



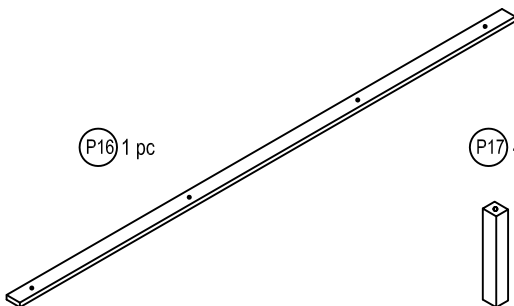
Right ladder

P15 3 pcs



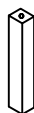
Ladder steps

P16 1 pc



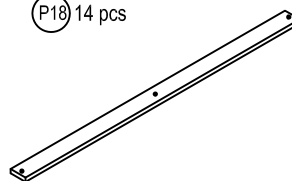
Center support

P17 4 pcs



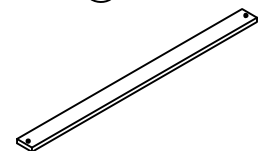
Center Leg

P18 14 pcs



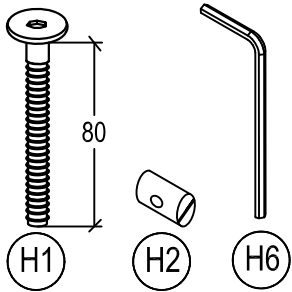
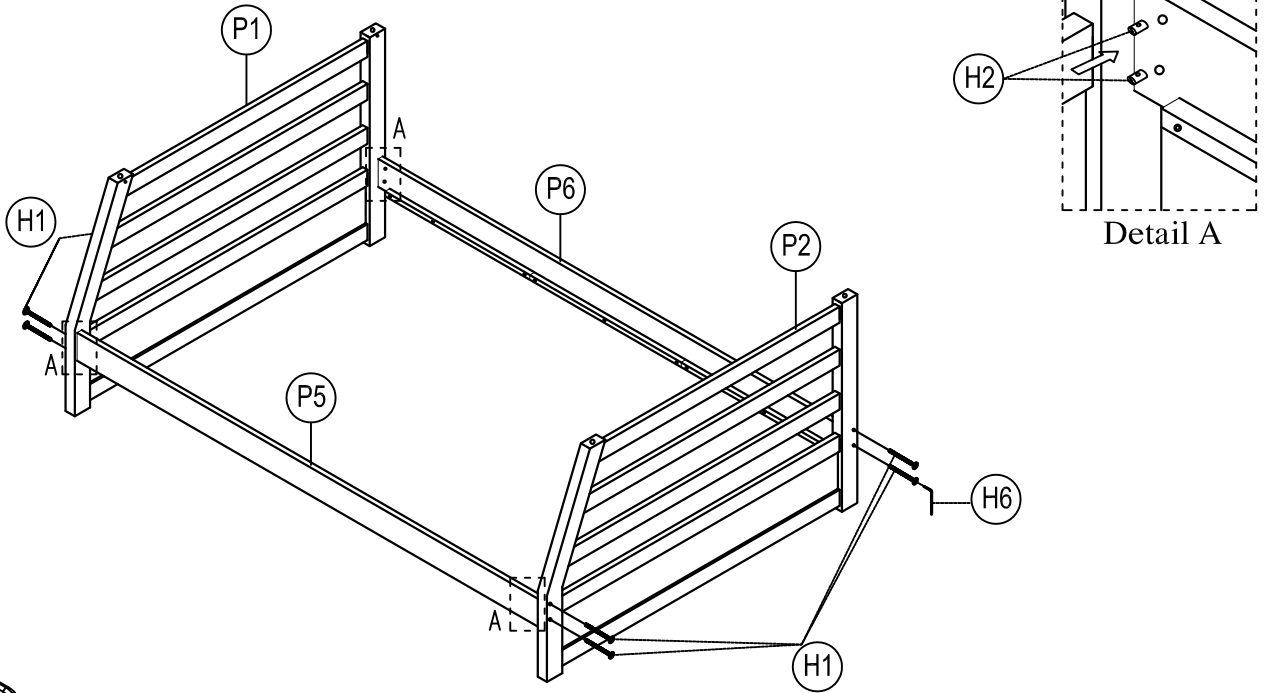
Lower Slats

P19 14 pcs



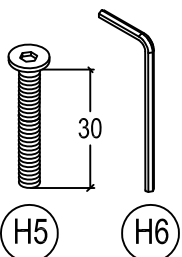
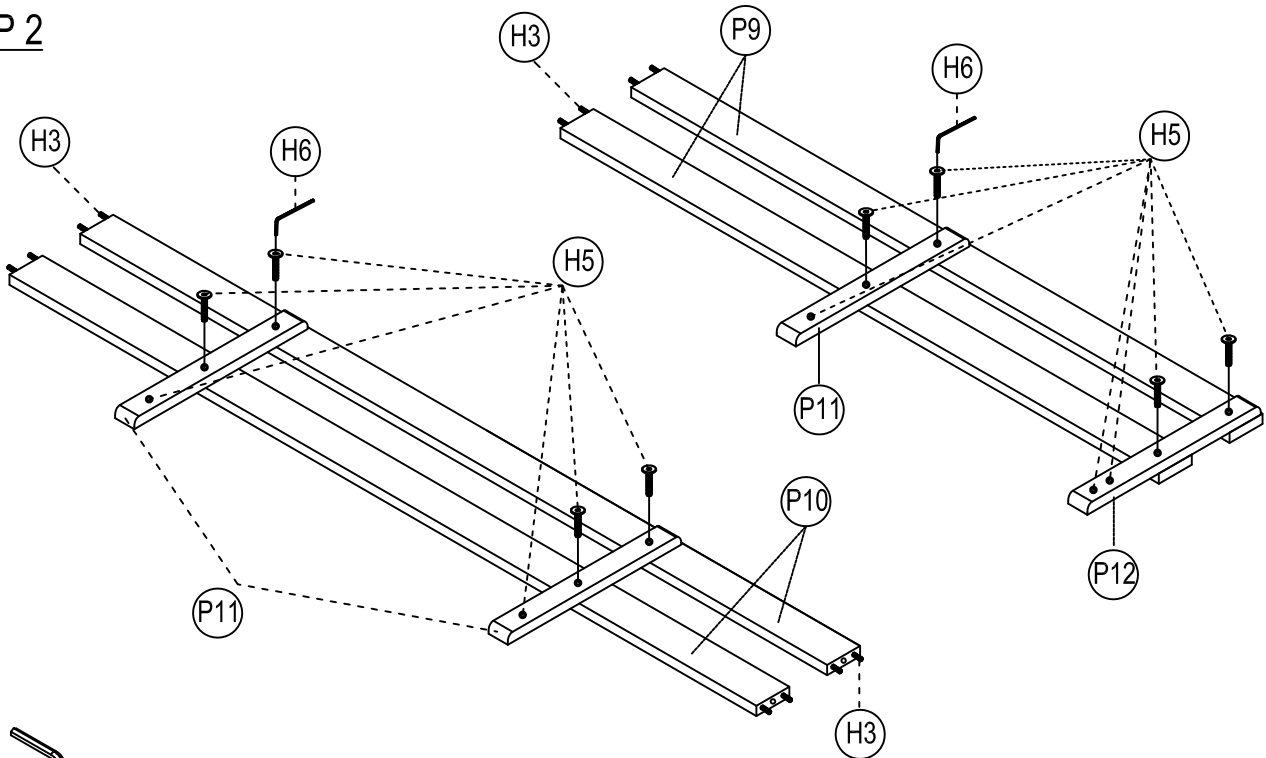
Upper Slats

STEP 1



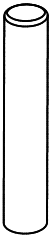
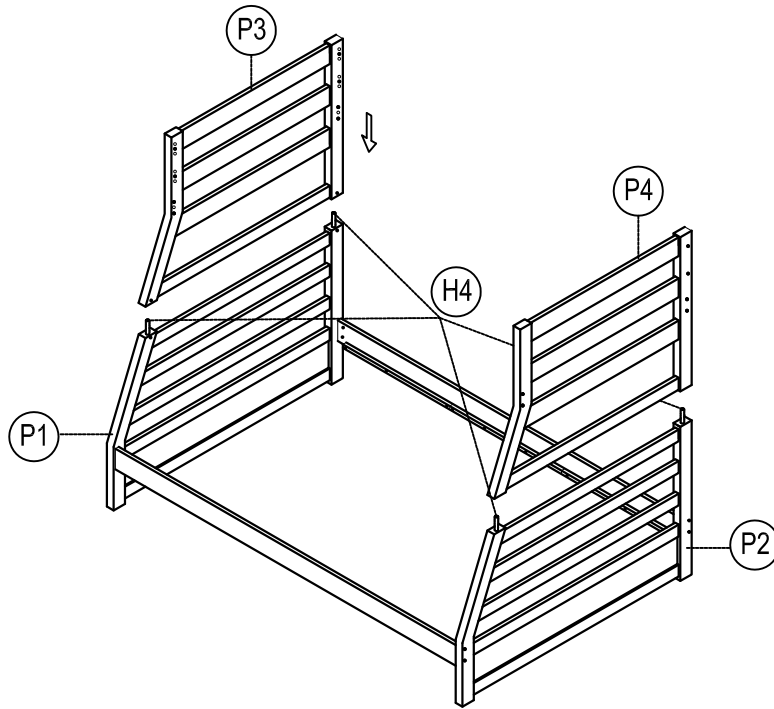
- Attach the lower front side rail (P5) and lower back side rail (P6) into lower left and right HB,FB (P1),(P2) .
- Put the hlix (H2) into holes (Detail A) .
- Tighten 8 pcs hexagon screws (H1) by allen key (H3) .

STEP 2



- Fix the 2 pcs support guard rails (P11) onto 2 pcs front guard rails (P9).
- Tighten 4 pcs hexagon screw (H5) by allen key (H6).
- Fix the 2 pcs support guard rails (P11) onto 2 pcs back guard rails (P10).
- Tighten 4 pcs hexagon screw (H5) by allen key (H6).

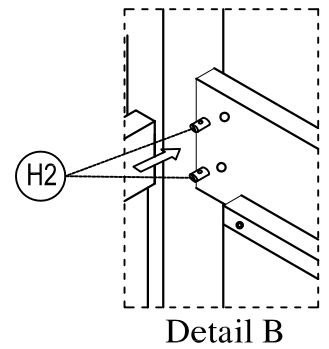
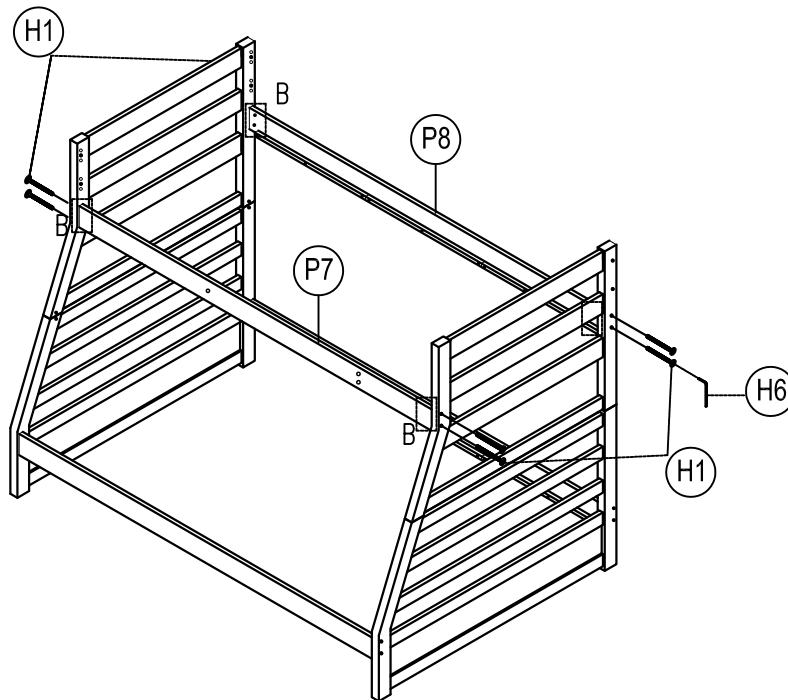
STEP 3



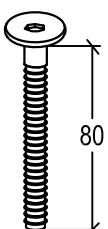
(H4)

- Press the 4 pcs wooden dowels (H4) into holes of lower left and right HB,FB (P1),(P2).
- Link upper left HB (P3) onto lower left HB (P1) .
- Link upper right FB (P3) onto lower right (P2) .

STEP 4



- Attach the upper front side rail (P7) and upper back side rail (p8) into upper left and right (P3),(P4).
 - Put the helix (H2) into holes (Detail B).
- Attention : Temporary fix (do not tighten) 8 pcs hexagon screws (H1) by allen key (H3) before assemble other parts .



(H1)

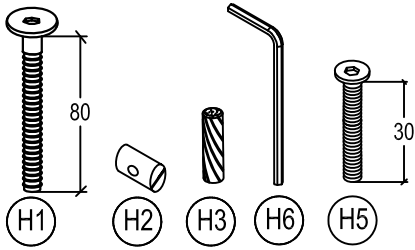
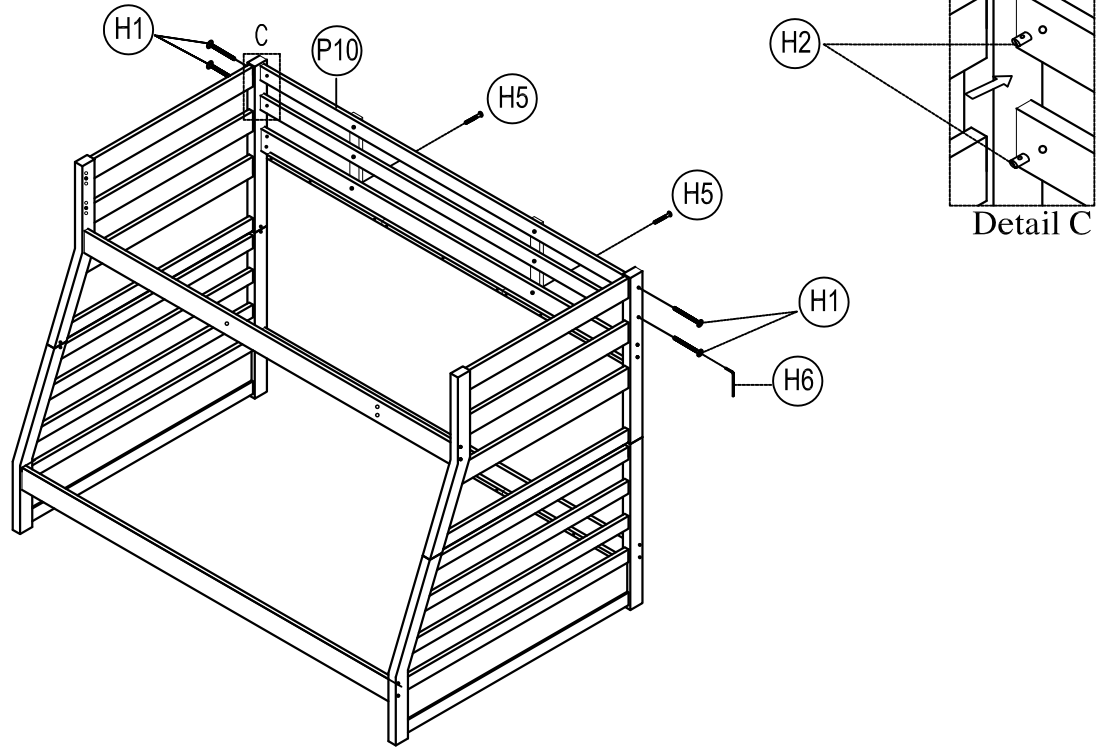


(H2)



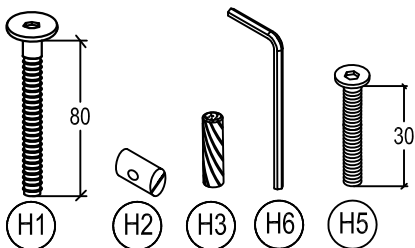
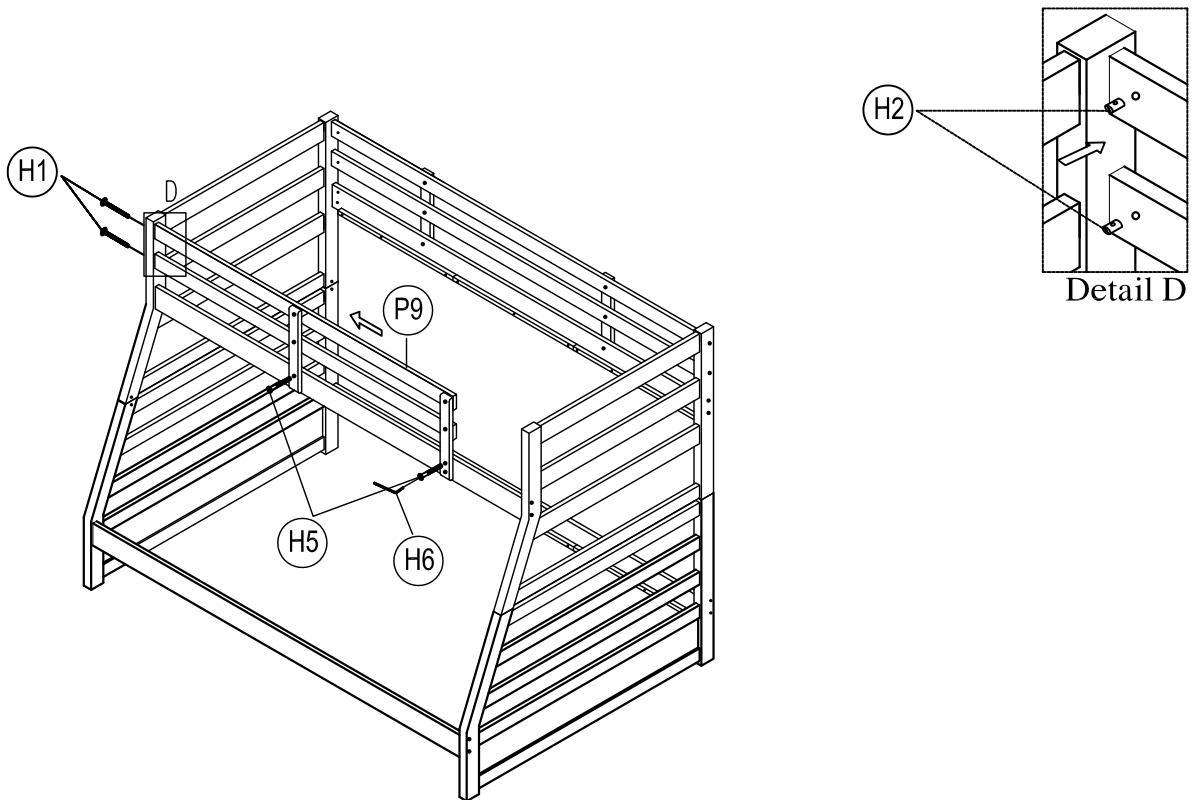
(H6)

STEP 5



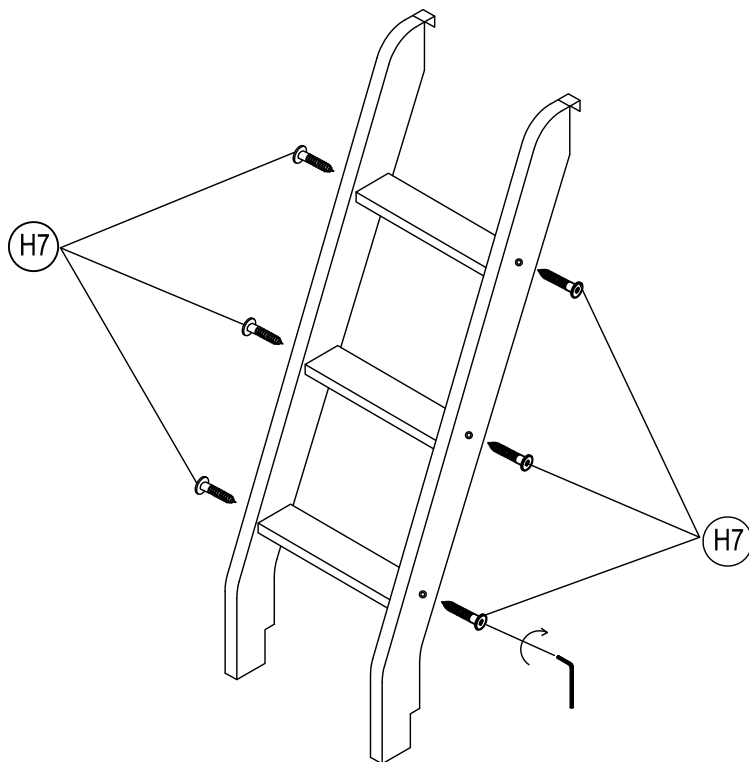
- Attach 2 pcs back guard rail (P10) has assemble into upper left HB (P3) and upper right FB (P4) .
 - Put the helix (H2) into holes .
 - Tighten 4 pcs hexagon screws (H1) by allen key (H6) .
 - Tighten 2 pcs hexagon screws (H5) by allen key (H6) .
- Attention : Before assemble other parts tighten 4 pcs hexagon screws (H2) has temporary fixed .

STEP 6



- Attach 2 pcs front guard rail (P9) has assemble into upper right HB (P3)
 - Put the helix (H2) into holes (Detail D)
 - Tighten 2 pcs hexagon screws (H1) by allen key (H6) .
 - Tighten 2 pcs hexagon screws (H5) by allen key (H6) .
- Attention : Before assemble other parts tighten 2 pcs hexagon screws (H2) has temporary fixed .

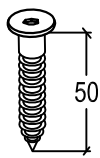
STEP 7



- Attach left ladder (P12) and right ladder (P13) to the 3 pcs ladder steps (P14) .
- Tighten 6 pcs screws (H7) by allen key (H6) .

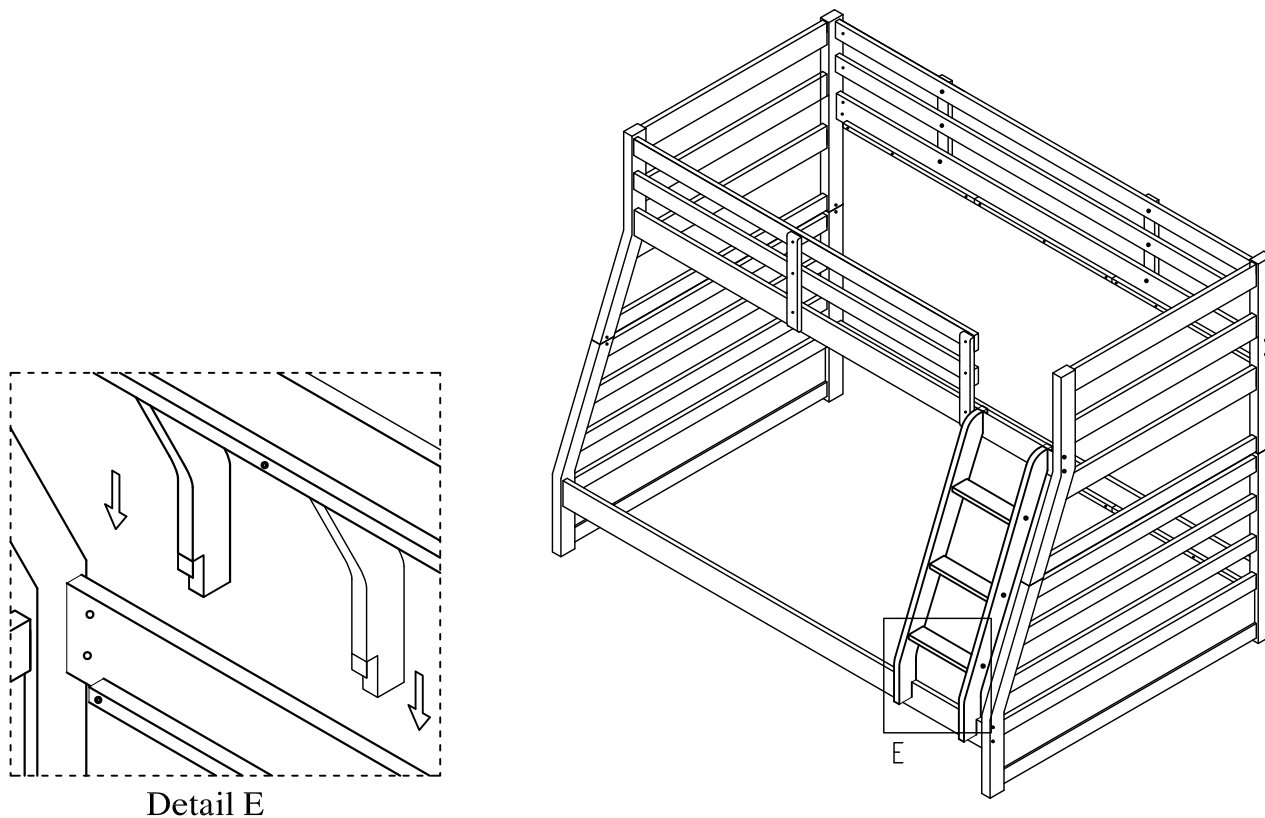


H6



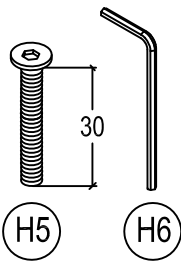
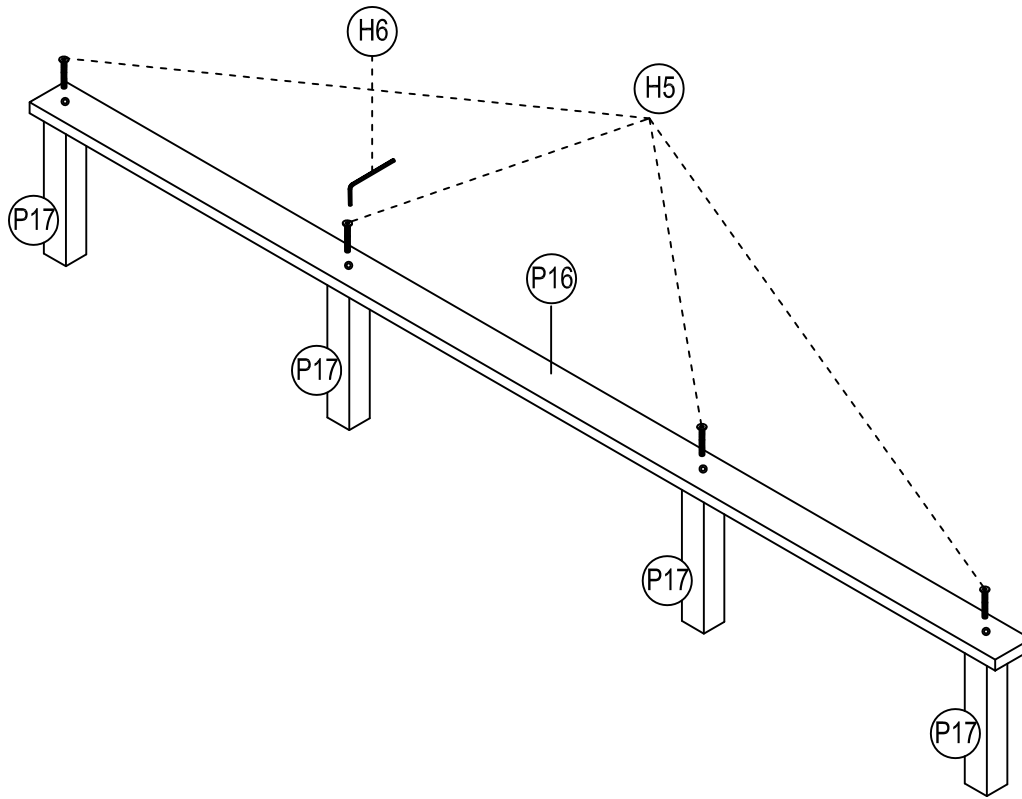
H7

STEP 8



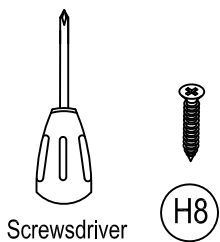
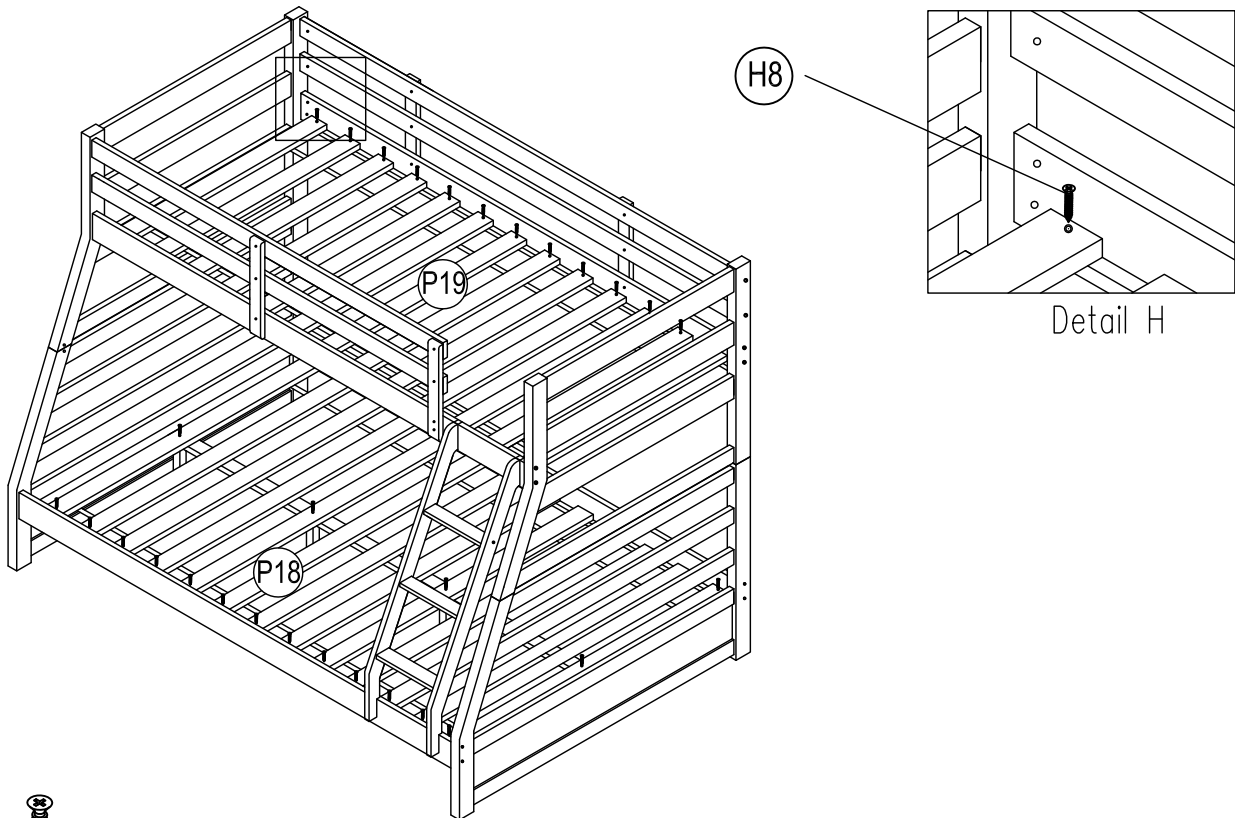
- Press the ladder has assembled with bed .

STEP 9



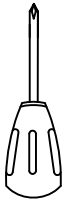
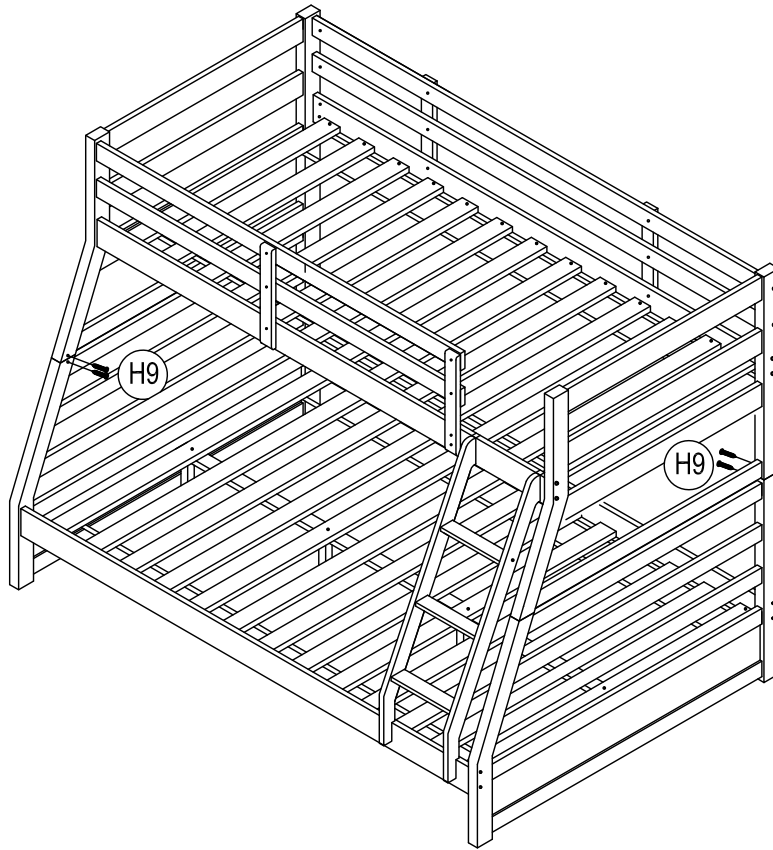
- Fix the center support (P15) onto 2 pcs center legs (P16) .
- Tighten 2 pcs screws (H5) by allen key (H6) .

STEP 10



- Put the 14 pcs upper slats (P19) onto upper bed and 14 pcs lower slats (P18) onto lower bed .
- Tighten 60 pcs screws (H8) by screwdriver .

STEP 11



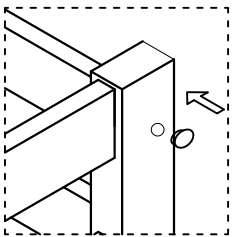
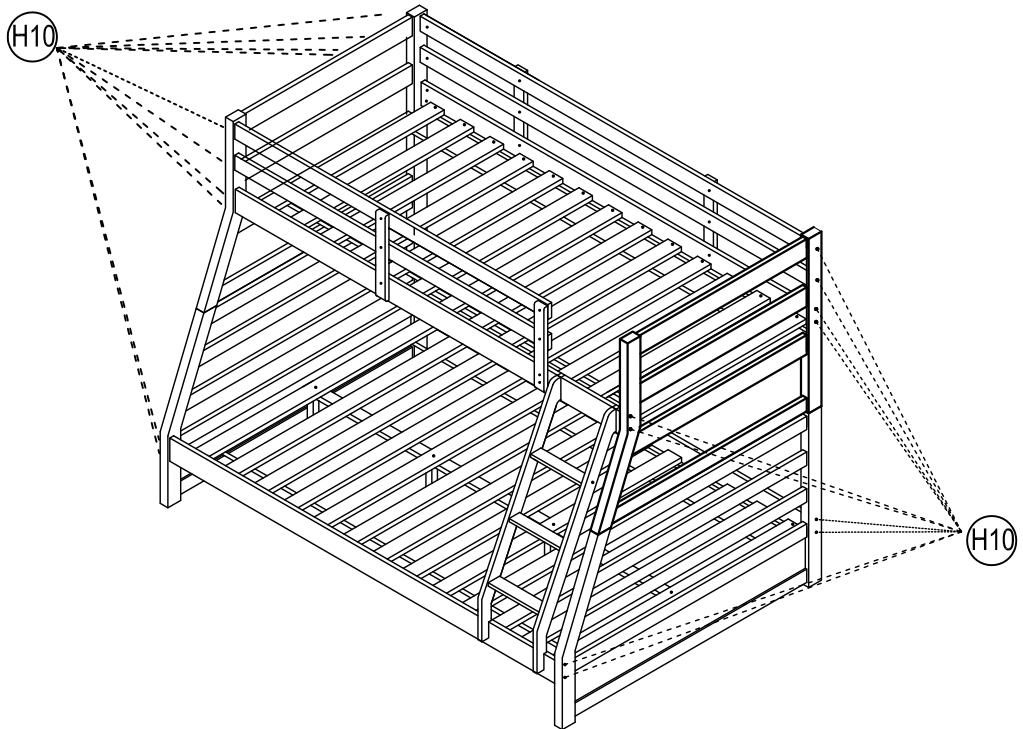
Screwdriver



H9

- Tighten 8 pcs screws (H9) by screwdriver .

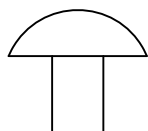
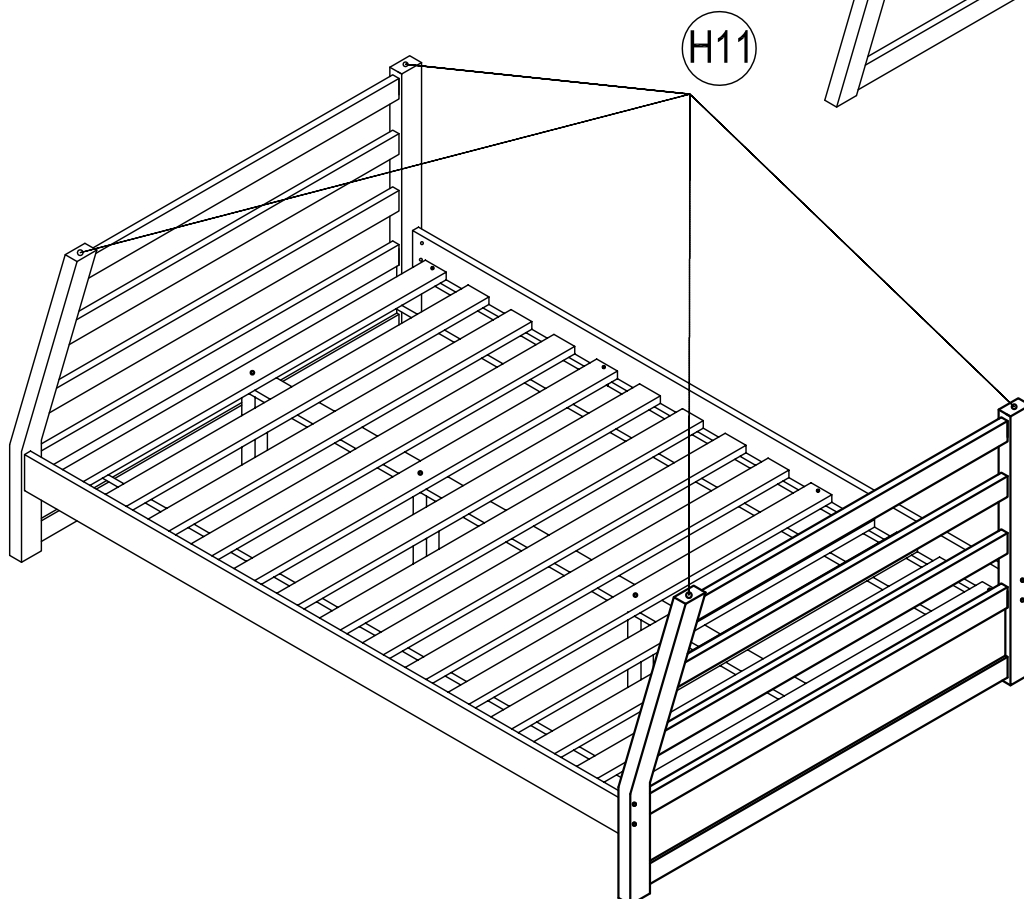
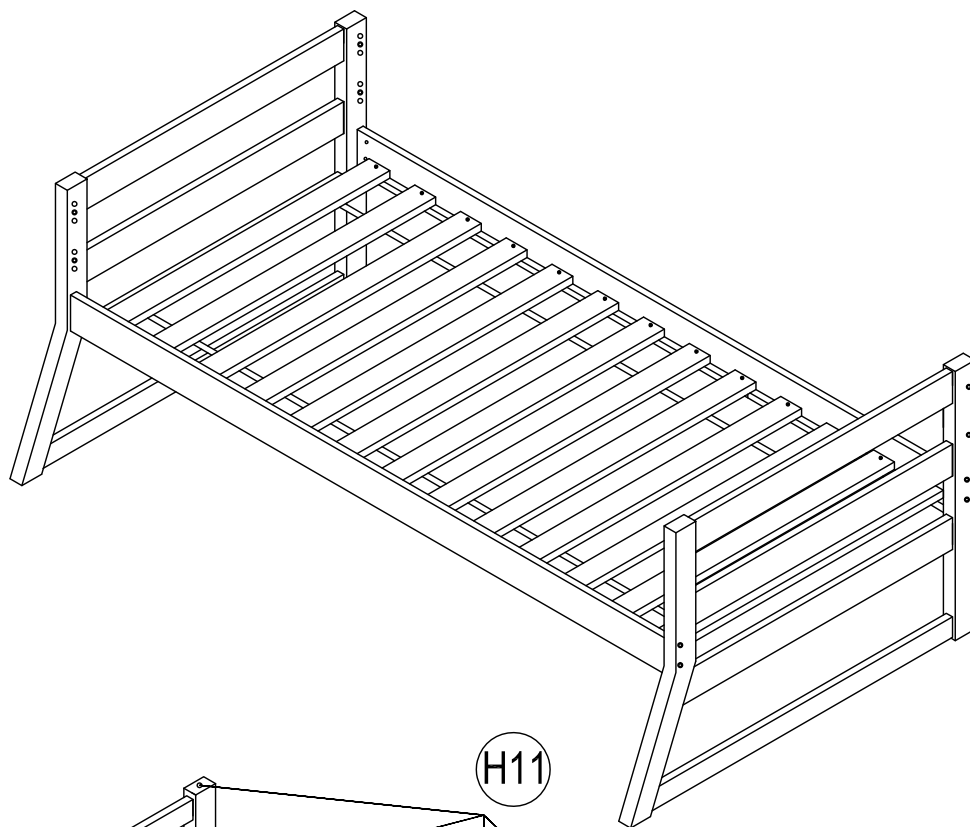
STEP 12



H10

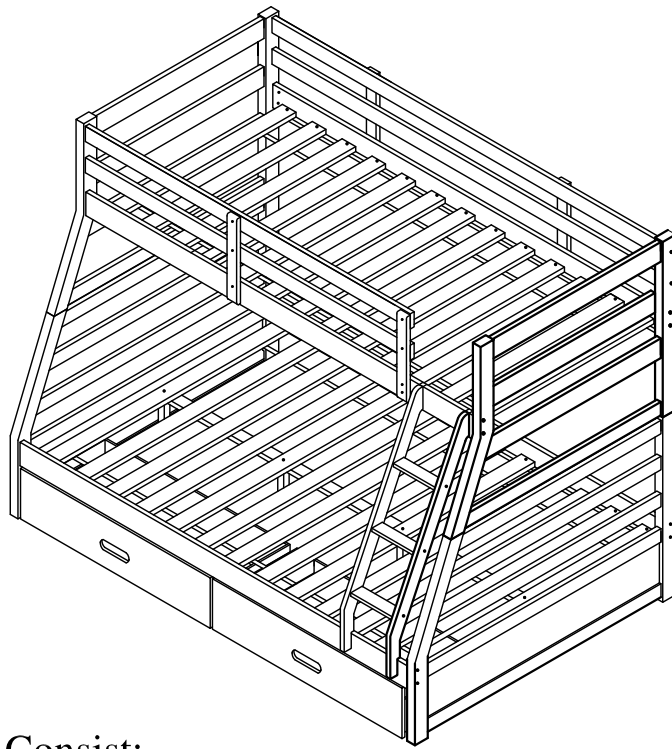
- Press the 22 pcs wooden caps (H10) into holes .

STEP 13



H11

Remark : You may use two separated baeds and assemble as above the picture !



Drawer Box (KD) Consist:





P20: Front Drawer + Rear panel

P21: Back Panel

P22: Side L/R

P23: Bottom Panel

P24: Center Support

H12 4*25 SCREWS	H13 3*15 SCREWS	H14 6*30 DOWEL-WOOD	H15 WHEEL
			
20 PCS	16 PCS	8 PCS	8 PCS

STEP 1

