



WINDOW TYPE AIR CONDITIONER
OWNER'S MANUAL

MODEL: GJC05BV-A6NMNE1A

Thank you for choosing our product. Please read this owner's manual carefully before operation and retain it for future reference.

TOLL-FREE : 1 866 680-4733

Safety Precautions	3
Air Conditioner Safety	6
Installation Instruction	8
How To Install	10
Air Conditioner Use	13
Air Conditioner Features.....	14
Care And Cleaning.....	15
Troubleshooting	16
Warranty	18

READ THIS MANUAL

Inside you will find many helpful hints on how to use and maintain your air conditioner properly. Just a little preventive care on your part can save you a great deal of time and money over the life of your air conditioner. You'll find many answers to common problems in the chart of troubleshooting tips. If you review our chart of Troubleshooting Tips first, you may not need to call for service at all.



CAUTION

Contact the authorized service technician for repair or maintenance of this unit.

Contact the installer for installation of this unit.

The air conditioner is not intended for use by young children or infirm persons without supervision.

Young children should be supervised to ensure that they do not play with the air conditioner.

If the power cord is to be replaced, replacement work must be performed by authorized personnel only.

Installation work must be performed in accordance with the national wiring standards by authorized personnel only.

SAFETY PRECAUTIONS

⚠ DANGER

Indicates a hazardous situation that, if not avoided, will result in death or serious injury.

⚠ WARNING

Indicates a hazardous situation that, if not avoided, could result in death or serious injury.

⚠ CAUTION

Indicates a hazardous situation that, if not avoided, may result in minor or moderate injury.

● Meaning of symbols used in this manual are as shown below.

	NEVER DO THIS.
	ALWAYS DO THIS.

⚠ WARNING!

- | | | |
|---|--|--|
| <p> Plug in power plug properly</p> <p>● Otherwise, it may cause electric shock or fire due to excess heat generation.</p> | <p> Do not operate or stop the unit by inserting or pulling out the power plug.</p> <p>● It may cause electric shock or fire due to heat generation.</p> | <p> Do not damage or use an unspecified power cord.</p> <p>● If the power cord is damaged, it must be replaced by the manufacturer or an authorized service center in order to avoid hazard.</p> |
| <p> Do not modify power cord length or share the outlet with other appliances.</p> <p>● It may cause electric shock or fire due to heat generation ion.</p> | <p> Do not operate with wet hands or in damp environment.</p> <p>● It may cause electric shock.</p> | <p> Do not direct airflow at room occupants only.</p> <p>● This could damage your health.</p> |
| <p> Always ensure effective grounding</p> <p>● Incorrect grounding may cause electric shock.</p> | <p> Do not allow water to run into electric parts.</p> <p>● It may cause failure of machine or electric shock.</p> | <p> Always install circuit breaker and a dedicated power circuit.</p> <p>● Incorrect installation may cause fire and electric shock .</p> |
| <p> Unplug the unit if strange sounds, smell, or smoke comes from it.</p> <p>● It may cause fire and electric shock.</p> | <p> Do not use the socket if it is loose or damaged.</p> <p>● It may cause fire and electric shock.</p> | <p> Do not open the unit during operation.</p> <p>● It may cause electric shock.</p> |
| <p> Keep firearms away.</p> <p>● It may cause fire.</p> | <p> Do not use the power cord close to heating appliances.</p> <p>● It may cause fire and electric shock.</p> | <p> Do not use the power cord near flammable gas or combustibles, such as gasoline, benzene, thinner, etc.</p> <p>● It may cause an explosion or fire.</p> |
| <p> Ventilate room before operating air conditioner if there is a gas leakage from another appliance.</p> <p>● It may cause explosion, fire and burns.</p> | <p> Do not disassemble or modify unit.</p> <p>● It may cause failure and electric shock.</p> | |

SAFETY PRECAUTIONS

⚠ CAUTION!



When the air filter is to be removed, do not touch the metal parts of the unit.

- It may cause an injury.



Do not clean the air conditioner with water.

- Water may enter the unit and degrade the insulation. It may cause an electric shock.



Ventilate the room well when used together with a stove, etc.

- An oxygen shortage may occur.



When the unit is to be cleaned, switch off, and turn off the circuit breaker.

- Do not clean unit when power is on as it may cause fire and electric shock, it may cause an injury.



Do not put a pet or house plant where it will be exposed to direct air flow.

- This could injure the pet or plant.



Do not use for special purposes.

- Do not use this air conditioner to preserve precision devices, food, pets, plants, and art objects. It may cause deterioration of quality, etc.



Stop operation and close the window in storm or hurricane.

- Operation with windows opened may cause wetting of indoor and soaking of household furniture.



Hold the plug by the head of the power plug when taking it out.

- It may cause electric shock and damage.



Turn off the main power switch when not using the unit for a long time.

- It may cause failure of product or fire.



Do not place obstacles around air-inlets or inside of air-outlet.

- It may cause failure of appliance or accident.



Ensure that the installation bracket of the outdoor appliance is not damaged due to prolonged exposure.

- If bracket is damaged, there is concern of damage due to falling of unit.



Always insert the filters securely. Clean the filter once every two weeks.

- Operation without filters may cause failure.



Do not use strong detergent such as wax or thinner but use a soft cloth.

- Appearance may be deteriorated due to change of product color or scratching of its surface.



Do not place heavy object on the power cord and ensure that the power cord is not compressed.

- There is danger of fire or electric shock.



Do not drink water drained from air conditioner.

- It contains contaminants and could make you sick.



Use caution when unpacking and installing. Sharp edges could cause injury.



If water enters the unit, turn the unit off at the power outlet and switch off the circuit breaker. Isolate supply by taking the power plug out and contact a qualified service technician.



Do not, under any circumstances, cut, remove or bypass the grounding prong.



Power supply cord with 3-prong grounding plug and current detection device.

SAFETY PRECAUTIONS

 **CAUTION!**

- 1) For some models, the power supply cord with this Air Conditioner contains a current detection device designed to reduce the risk of fire. Please refer to the section "Operation of Current Device" for details. In the event that the power supply cord is damaged, it cannot be repaired. It must be replaced with a cord from the Product Manufacturer.

 **WARNING - FOR YOUR SAFETY**

- 1) Do not store or use gasoline or other flammable vapors and liquids in the vicinity of this or any other appliance.
- 2) Avoid fire hazard or electric shock. Do not use an extension cord or an adapter plug. Do not remove any prong from the power cord.

 **ELECTRICAL INFORMATION**

- 1) Be sure the electrical service is adequate for the model you have chosen. This information can be found on the serial plate, which is located on the side of the cabinet and behind the grille.
- 2) Be sure the Air Conditioner is properly grounded. To minimize shock and fire hazards, proper grounding is important. The power cord is equipped with a three-prong grounding plug for protection against shock hazards.
- 3) Air Conditioner must be used in a properly grounded wall receptacle. If the wall receptacle you intend to use is not adequately grounded or protected by a time delay fuse or circuit breaker, have a qualified electrician install the proper receptacle.
- 4) Ensure the receptacle is accessible after the unit installation.
- 5) Do not run Air Conditioner without side protective cover in place. This could result in mechanical damage within the air conditioner.
DO NOT USE AN EXTENSION CORD OR AN ADAPTER PLUG.

POWER SUPPLY CORD**With current detection device only.**

The power supply cord contains a current device that senses damage to the power cord. To test your power supply cord, do the following:

- 1) Plug in the Air Conditioner.
- 2) The power supply cord will have 2 buttons on the plug head. Press the TEST button, you will notice a click as the RESET button pops out.
- 3) Press the RESET button, again you will notice a click as the button engages.
- 4) The power supply cord is now supplying electricity to the unit. On some products this is also indicated by a light on the plug head.


NOTES:

- 1) Do not use this device to turn the unit on or off.
- 2) Always make sure the RESET button is pushed in for correct operation.
- 3) The power supply must be replaced if it fails reset when either the TEST button is pushed, or it cannot be reset. A new one can be obtained from the product manufacturer.
- 4) If power supply cord is damaged, it cannot be repaired. It MUST be replaced by one obtained from the product manufacturer.

AIR CONDITIONER SAFETY

WARNING:

To reduce the risk of fire, electrical shock or injury when using your air conditioner, follow these basic precautions.

 IMPORTANT SAFETY INSTRUCTIONS!
1) Plug into a grounded 3 prong outlet.
2) Do not remove ground prong.
3) Do not use an adapter.
4) Do not use an extension cord.
5) Unplug air conditioner before servicing.
6) Use two or more people to move and install air conditioner.

YOUR SAFETY AND THE SAFETY OF OTHERS ARE VERY IMPORTANT:

We have provided many important safety messages in this manual and on your appliance. Always read and obey all safety messages.



This is the safety alert symbol.

This symbol alerts you to potential hazards that can kill or hurt you and others.

All safety messages will follow the safety alert symbol and either the word "DANGER" or "WARNING." These words mean:




You can be killed or seriously injured if you don't immediately follow instructions.



You can be killed or seriously injured if you don't follow instructions.

ELECTRICAL REQUIREMENTS

The electrical ratings for your air conditioner are listed on the model and serial number label. The model and serial number label is located behind the front panel above the coil area. Specific electrical requirements are listed in the chart below. Follow the requirements for the type of plug on the power supply cord.

Power supply cord	Wiring requirements
	1) 115 volt (103.5 min. - 126.5 max.)
	2) 0-12 amps
	3) 15-amp time-delay fuse or circuit breaker
	4) Use on single outlet circuit only.

RECOMMENDED GROUND METHOD

For your personal safety, this air conditioner must be grounded. This air conditioner is equipped with a power supply cord having a grounded 3 prong plug. To minimize possible shock hazard, the cord must be plugged into a mating, grounded 3 prong outlet, grounded in accordance with all local codes and ordinances. If a mating outlet is not available, it is the customer's responsibility to have a properly grounded 3 prong outlet installed by a qualified electrical installer.

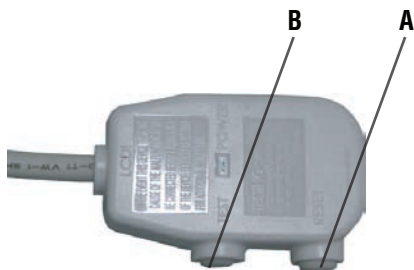
It is the customer's responsibility:

- 1) To contact a qualified electrical installer.
- 2) To assure that the electrical installation is adequate and in conformance with National Electrical Code, ANSI/NFPA 70 - latest edition, and all local codes and ordinances. The place near coast area.

Copies of the standards listed may be obtained from:
National Fire Protection Association
One Batterymarch Park
Quincy, Massachusetts 02269

POWER SUPPLY CORD

NOTE: Your unit's device may differ from the one shown.



This room air conditioner is equipped with a power supply cord required by UL. This power supply cord contains state-of-the-art electronics that sense leakage current. If the cord is crushed, the electronics detect leakage current and power will be disconnected in a fraction of a second.

- A. Reset button
B. Test button

To test your power supply cord:

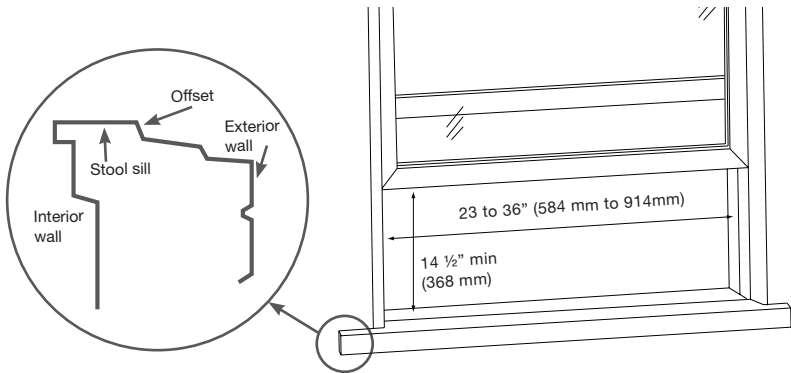
- 1) Plug power supply cord into a grounded 3 prong outlet.
- 2) Press RESET (on some devices, a green light will turn on).
- 3) Press TEST (listen for click; Reset button will trip, and on some devices, a green light will turn off).
- 4) Press and release RESET (listen for click; Reset button will latch, and on some devices, a green light will turn on). The power supply cord is ready for operation.

Note:

- 1) The Reset button must be pushed in for proper operation.
- 2) The power supply cord must be replaced if it fails to trip when the test button is pressed or fails to reset.
- 3) Do not use the power supply cord as an off/on switch. The power supply cord is designed as a protective device.
- 4) A damaged power supply cord must be replaced with a new power supply cord obtained from the product manufacturer and must not be repaired.
- 5) The power supply cord contains no user serviceable parts. Opening the tamper-resistant case voids all warranty and performance claims.

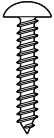
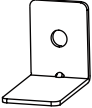
INSTALLATION INSTRUCTION

Your air conditioner is designed to install in standard double hung windows with opening widths of 23 to 36 inches (584 mm to 914 mm)(FIG.1). Lower sash must open sufficiently to allow a clear vertical opening of 14-1/2 inches (368mm). Side louvers and the rear of the AC must have clear air space to allow enough airflow through the condenser, for heat removal. The rear of the unit must be outdoors, not inside a building or garage.



Note:

SAVE CARTON and these INSTALLATION INSTRUCTIONS for future reference. The carton is the best way to store unit during winter, or when not in use. Some assembly is required. Please read these instructions carefully.

Mounting Hardware	
 3/4" Screw	Qty.
	6
 Sash lock	1

TOOLS NEEDED:

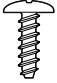
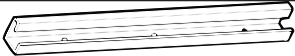
- 1) Phillips Screw Driver
- 2) Drill (If pilot holes are needed)

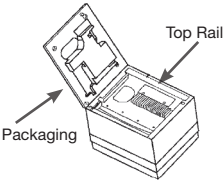
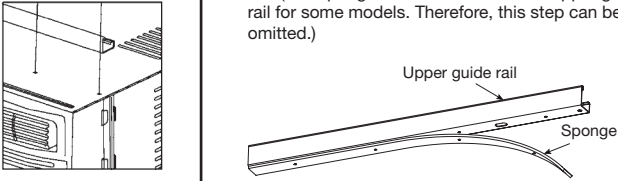
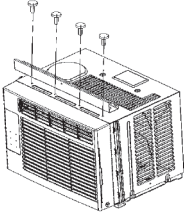
CAUTION

- 1) When handling unit. Be careful to avoid cuts from sharp metal edges and aluminum fins on front and rear coils.

Note:

Before installing unit, the top rail must be assembled on the unit.

Top Rail Hardware	
 <p>3/8" Screw</p>	Qty.
	4
 <p>Top Rail</p>	1

Step-By-Step		
Fig. A		1) Remove the air conditioner from the carton and place on a flat surface.
Fig. B		2) Remove top rail from the bottom of the packaging material as shown in Fig. A 3) Tear off the paster at back side of sponge, and then align it at the bottom edge of upper guide rail to stick the sponge at the bottom of upper guide rail. (The sponge has been stick on the upper guide rail for some models. Therefore, this step can be omitted.)
Fig. C		4) Align the hole in the top rail with those in the top of the unit as shown in Fig. B 5) Secure the top rail to the unit with the 3/8" screws as shown in Fig. C

Note:

FOR SAFETY REASONS, ALL FOUR(4) SCREWS MUST BE SECURELY FASTENED.

HOW TO INSTALL

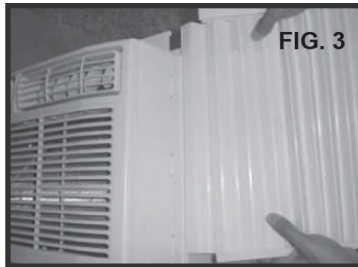
Accordion Panel Installation

Now that you have installed the top rail, you can now install the accordion panels on each side.

- 1) Place the air conditioner on a hard flat surface.
- 2) Locate the accordion panels in the box.
- 3) Gently pull the free end of the accordion panel (See FIG. 2). Do this for both panels.



- 4) Slide the free end of the accordion panel into the side panel of the air conditioner (See FIG. 3). Do this for each side.



- 5) Once the accordion panels are slid into place adjust the top and bottom rails of the accordion panels into the top and bottom rails of the air conditioner (See FIG. 4).



WEATHER-PROOF TYPE WINDOW

The height of window frame is higher than windowsill for some weather-proof type window, which will affect the installation of air conditioner. In this case, before installing the air conditioner, add wooden strap on the windowsill and fix the wooden strap at the windowsill.

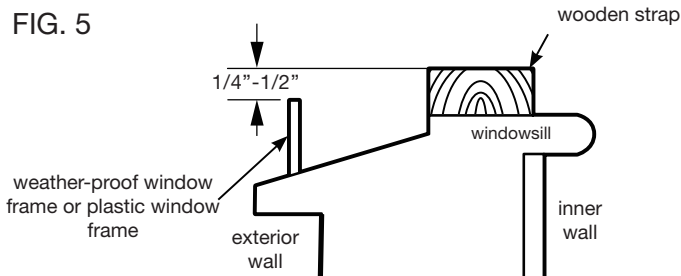
Specification of wooden strap

Width: about 2"

Length: same to the inner frame size of window

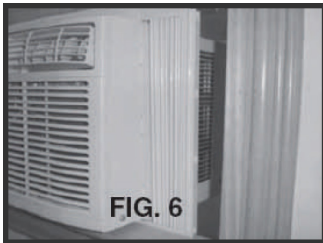
Height: Put the wooden strap on the windowsill, top part of wooden strap and window frame should be at the same horizontal level, or higher than the top part of window frame about 1/4"-1/2".

FIG. 5



Placing the Unit Inside a Window

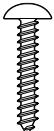
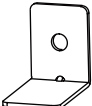
- 1) Place the air conditioner on the sill with the bottom mounting rail against its back edge. Center the air conditioner and close the window securely behind the top mounting rail. The air conditioner should be slightly tilted to the outside area. Use a level; about a 1/3 bubble will be the correct case slant to the outside. (See FIG. 5 & FIG. 6)



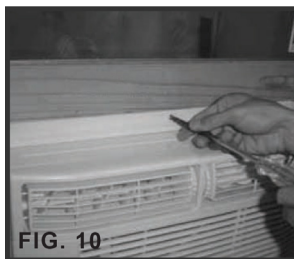
- 2) Once the air conditioner is placed, extend both the left and right accordion panels to the width of the window.



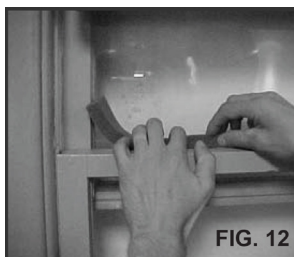
Frame Lock, Sash Lock, and Foam Seal Installation

Mounting Hardware	
 <p>3/4" Screw</p>	Qty.
	6
 <p>Sash lock</p>	1

- 1) Drive 3/4" screws into the top of the accordion panel frame and the top rail to securely attach the window air conditioner to the lower sash. (See FIG. 9/10)



- 2) To secure the lower sash into place, use the sash lock and a 3/4" screw as shown below (See FIG. 11)



- 3) For added insulation, cut the supplied insulation foam to the width of the window. Insert the foam between the window sashes to prevent air and objects from getting into the room. (See FIG. 12)

Placing the Unit Inside a Window

- 1) Turn the air conditioner off, and disconnect the power cord.
- 2) Remove the sash seal from between windows, and unscrew sash lock.
- 3) Remove the screws installed through the frame and frame lock.
- 4) Close (slide) the side panels into frame.
- 5) Keeping a firm grip on air conditioner, raise the sash and carefully "rock" air conditioner backward to drain any condensate water in base of unit. Be careful not to spill any remaining water while lifting unit from window.
- 6) Store parts WITH the air conditioner in the box

AIR CONDITIONER USE

Operating your air conditioner properly helps you to obtain the best possible results. This section explains proper air conditioner operation.

IMPORTANT

- | |
|--|
| 1) If you turn off the air conditioner, wait at least 3 minutes before turning it back on. This prevents the air conditioner from blowing a fuse or tripping a circuit breaker. |
| 2) Do not try to operate your air conditioner in the cooling mode when outside temperature is below 65°F (18°C). The inside evaporator coil will freeze up, and the air conditioner will operate properly. |

Note:

In the event of a power failure, your air conditioner will operate at the previous settings when the power is restored.

AIR CONDITIONER FEATURES

Power Outage Recovery Feature

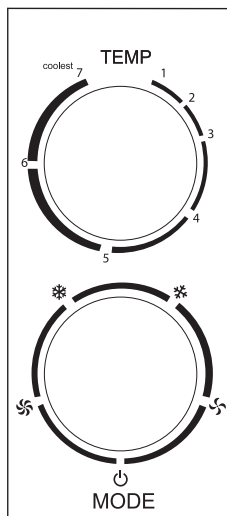
In the case of a power outage or interruption, the unit will automatically restart in the settings last used after the power is restored. If the Delay 1-24hr (🕒) feature was set, it will countdown according to the memorized time. You may need to set a new time if desired.

Controls Feature

The controls featured in this manual are representative of many available models. Your model may offer slightly different features.

Thermostat

The thermostat is used to set the desired room temperature when the unit is being operated in the "COOL MODE". To set the desired room temperature, rotate the thermostat switch to the desired setting. After the set temperature is achieved the thermostat will automatically start and stop the compressor in order to maintain the desired set temperature. Rotate the thermostat selector clockwise for higher cool settings. Higher cool settings will provide lower room temperature. Rotate the thermostat selector counter clockwise for lower cool settings. Lower cool settings will provide higher room temperature.



Cool Mode

The desired cool setting is selected by rotating the knob to the right to the appropriate location.

“high cool” has maximum cooling effect and airflow.

“med cool” has medium cooling effect and airflow.

“low cool” has minimum cooling effect and airflow.

Note: If your unit is equipped with a vent handle, keep it closed for maximum efficiency

Fan Mode

Rotate the knob to the left to select your choice of fan speeds for air circulation.

Note: When selecting a fan speed, the compressor will not run.

Power Saver (on some models)

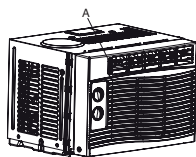
Fan and compressor on & off at the same time.

***IMPORTANT:** Please always wait 3 minutes when turning unit off and then on again, and when changing from cool to fan and back to cool. This prevents the compressor from overheating and possible circuit breaker tripping.

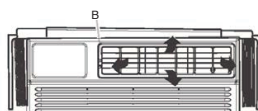
Changing Air Direction

You can use the wheel, depending on model, to direct the air right or left.

Rotate the whole cartridge to direct air up, down or straight ahead.



Wheel



Cartridge

CARE AND CLEANING

Your new air conditioner is designed to give you many years of dependable service. This section tells you how to clean and care for your air conditioner properly. Be sure to unplug the unit before cleaning to prevent shock or fire hazards.

Normal sounds

When your air conditioner is operating normally, you may hear sounds such as:

- 1) Droplets of water hitting the condenser, causing a pinging or clicking sound. The water droplets help cool the condenser.
- 2) Air movement from the fan.
- 3) Clicks from the thermostat cycle.
- 4) Vibrations or noise due to poor wall or window construction.
- 5) A high-pitched hum or pulsating noise caused by the modern high-efficiency compressor cycling on and off.

Cleaning the front panel

- 1) Unplug air conditioner or disconnect power.
- 2) Clean front panel with a soft, damp cloth.
- 3) Air dry front panel completely.
- 4) Plug in air conditioner or reconnect power.

Repairing paint damage

Check once or twice a year for paint damage. This is very important, especially in areas near oceans or where rust is a problem. If needed, touch up with a good grade enamel paint.

Note: To reduce paint damage during the winter, install a heavy-duty cover over air conditioner cabinet. For information on ordering a heavy-duty cover, see "Accessories".

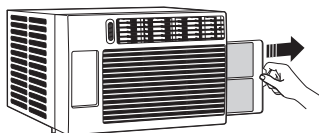
Annual Maintenance

Your air conditioner needs annual maintenance to help ensure steady, top performance throughout the year. Call your local authorized dealer to schedule an annual checkup. The expense of an annual inspection is your responsibility.

Cleaning the air filter

Model 1:

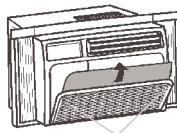
- 1) Turn off air conditioner.
- 2) Remove air filter by sliding filter out from either side of unit. Filter may be removed from either side.
- 3) Use a vacuum cleaner to clean air filter. If air filter is very dirty, wash it in warm water with a mild detergent. Do not wash air filter in the dishwasher or use any chemical cleaners. Air dry filter completely before replacing to ensure maximum efficiency.
- 4) Replace air filter by sliding filter back into either side of unit.



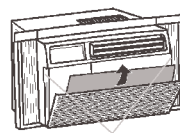
Filter may be removed from either side

Model 2:

- 1) Remove air filter by pulling down on the indents in the top or sides of filter door and sliding air filter up and out. Filter door is not removable.
- 2) Use a vacuum cleaner to clean air filter. If air filter is very dirty, wash it in warm water with a mild detergent. Do not wash air filter in the dishwasher or use any chemical cleaners. Air dry filter completely before replacing to ensure maximum efficiency.
- 3) Replace air filter by sliding filter down into filter door and closing filter door.



Indents



Indents

TROUBLESHOOTING

You can solve many common air conditioner problems easily, saving you the cost of a service call. Try the suggestions below to see whether you can solve your problem without outside help.

Air conditioner will not operate

- **The power supply cord is unplugged.** Plug into grounded 3 prong outlet. See "Electrical Requirements."
- **The power supply cord trips (Reset button will pop out).** Press and release RESET (listen for click; Reset button will latch and on some devices, a green light will turn on) to resume operation.
- **A household fuse has blown or circuit breaker has tripped.** Replace the fuse or reset the circuit breaker. See "Electrical Requirements."
- **Depending on model, the Power button has not been pressed or the Fan Speed control is turned to Off.** Press POWER button or turn the FAN SPEED control to an active setting.
- **The local power has failed.** Wait for power to be restored.

Air conditioner blows fuses or trips circuit breakers

- **Too many appliances are being used on the same circuit.** Unplug or relocate appliances that share the same circuit.
- **Time-delay fuse or circuit breaker of the wrong capacity is being used.** Replace with a time-delay fuse or circuit breaker of the correct capacity. See "Electrical Requirements."
- **An extension cord is being used.** Do not use an extension cord with this or any other appliance.
- **You are trying to restart the air conditioner too soon after turning the unit off.** Wait at least 3 minutes after turning the unit off before trying to restart the air conditioner.

Air conditioner power supply cord trips (Reset button pops out)

- **Disturbances in your electrical current can trip (Reset button will pop out) the power supply cord.** Press and release RESET (listen for click; Reset button will latch and on some devices, a green light will turn on) to resume operation.
- **An electrical over loading, overheating, pinching or aging can trip (Reset button will pop out) the power supply cord.** After correcting the problem, press and release RESET (listen for click; Reset button will latch and on some devices, a green light will turn on) to resume operation.

NOTE: A damaged power supply cord must be replaced with a new power supply cord obtained from the product manufacturer. A damaged power supply cord must not be repaired.

Air conditioner seems to run too much

- **The current air conditioner replaced an older model.** The use of more efficient components may cause the air conditioner to run longer than an older model, but the total energy consumption will be less. Newer air conditioners do not emit the "blast" of cold air you may be accustomed to from older units, but this is not an indication of lesser cooling capacity or efficiency. Refer to the efficiency rating (EER) and capacity rating (in BTU/hr.) marked on the air conditioner.
- **The air conditioner is in a heavily occupied room, or heat-producing appliances are in use in the room.** Use exhaust vent fans while cooking or bathing and try not to use heat-producing appliances during the hottest part of the day. A higher capacity air conditioner may be required, depending on the size of the room being cooled.

Air conditioner cycles on and off too much or does not cool

- **The Mode is set to Power Saver (on some models).** Use Power Saver only when you are away from home or asleep, since the fan does not circulate the room air continuously. Use Low, High or Turbo for your best comfort.
- **The air conditioner is not properly sized for your room.** Check the cooling capabilities of your room air conditioner. Room air conditioners are not designed to cool multiple rooms.
- **The filter is dirty or obstructed by debris.** Clean the filter.
- **The inside evaporator and outside condenser coils are dirty or obstructed by debris.** See "Annual maintenance."
- **There is excessive heat or moisture (open container cooking, showers, etc.) in the room.** Use a fan to exhaust heat or moisture from the room. Try not to use heat-producing appliances during the hottest part of the day.
- **The louvers are blocked.** Install the air conditioner in a location where the louvers are free from curtains, blinds, furniture, etc.
- **The outside temperature is below 60°F (16°C).** Do not try to operate your air conditioner in the cooling mode when the outside temperature is below 60°F (16°C).
- **The temperature of the room you are trying to cool is extremely hot.** Allow extra time for the air conditioner to cool off a very hot room.
- **Windows or doors to the outside are open.** Close all windows and doors.
- **The Exhaust control is set to OPEN (on some models).** Push the Exhaust control CLOSED for maximum cooling.
- **Depending on model, the Temp/Time or Temperature control is not at a cool enough setting.** Adjust the TEMP/TIME control to a cooler setting by pressing the minus button to reduce the temperature or adjust the TEMPERATURE control to a cooler setting by turning the knob clockwise. Set the FAN SPEED control to highest setting (Turbo or High, depending on model).

Water drips from cabinet into your house

- **The air conditioner is not properly leveled.** The air conditioner should slope slightly downward toward the outside. Level the air conditioner to provide a downward slope toward the outside to ensure proper drainage. See the Installation Instructions.

NOTE : Do not drill a hole in the bottom of the metal base and condensate pan.

WARRANTY

LIMITED WARRANTY

This Air Conditioner is covered by a warranty against defects in materials including the compressor, if used for the applications specified in this owner's manual, for a period of one (1) YEAR from the date of original purchase in Canada.

Note: The internal compressor is covered by a 5-year limited warranty.

During the warranty period, if this Air Conditioner fails under normal use, GREE will, at its option, either repair the unit or replace it, free of charge, within a reasonable period of time after the Air Conditioner is returned. As a condition to any warranty service obligation, the customer must present this warranty certificate along with the proof of purchase.

THIS WARRANTY DOES NOT COVER:

- 1) Damage, accidental or otherwise, to the air conditioner that is not caused by materials or workmanship defect.
- 2) Damage caused by misuse, tampering or failure to follow the operating and maintenance instructions provided in this owner's manual.
- 3) Damage to the finish of the unit enclosure or to other outer features caused by wear.
- 4) Filter.
- 5) Damage caused by repairs or modifications to the air conditioner made by any person not duly authorized by GREE.
- 6) Insurance and freight costs for the warranty service.

ALL IMPLIED WARRANTIES, INCLUDING ANY IMPLIED WARRANTY OF MERCHANTABILITY, ARE LIMITED TO A ONE (1) YEAR PERIOD COVERED BY THIS EXPRESS LIMITED WARRANTY. GREE DISCLAIMS ANY LIABILITY FOR CONSEQUENTIAL OR INCIDENTAL DAMAGES AND, IN NO EVENT, SHALL GREE LIABILITY EXCEED THE RETAIL VALUE OF THIS AIR CONDITIONER FOR BREACH OF ANY WRITTEN OR IMPLIED WARRANTY WITH RESPECT TO THIS AIR CONDITIONER.

Keep this owner's manual along with your proof of purchase in a safe place for future reference. You must provide proof of purchase for warranty service.

Enter the following information on your air conditioner; it will help you upon getting assistance or service if you ever need it. You will have then to provide the model and serial numbers of the air conditioner - these data are detailed on the rating plate of the unit.

Dealer name: _____

Address: _____

Model number: _____

Serial number: _____

Date of purchase: _____