



12KTM BROCHURE



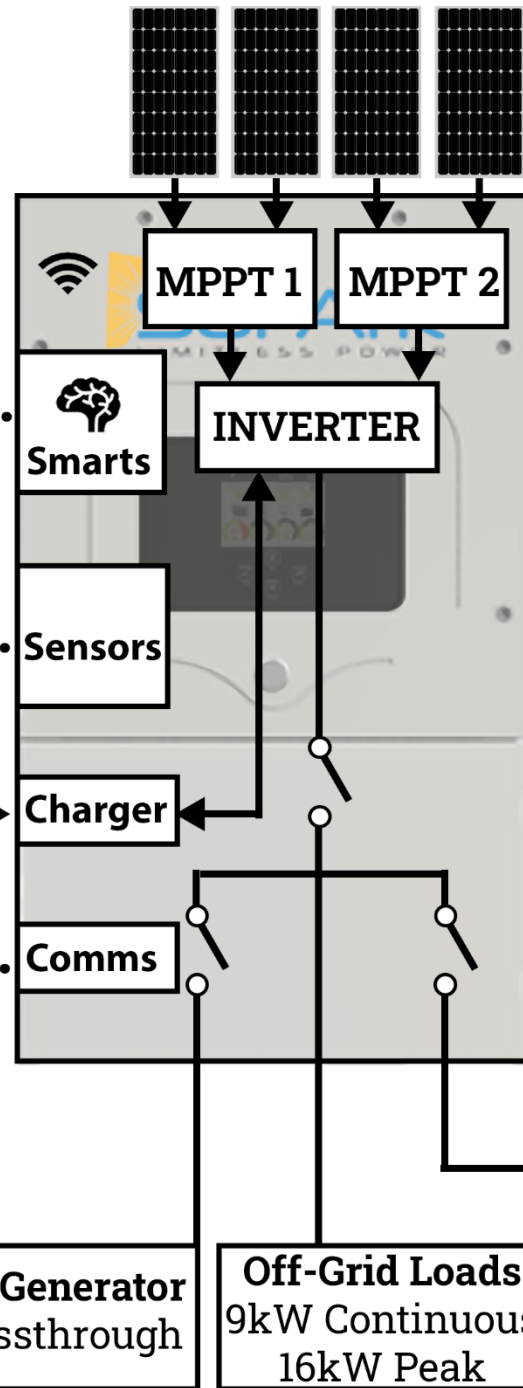
Cloud Monitoring & Programming

Modes:
Grid Sell, Off-Grid, Meter Zero, Time of Use, & Peak Shaving

RSD/Emergency Stop, External CT Sensors, Parallel Comms/Battery Comms, Auto Gen Start

Battery Agnostic
48V Nominal & at least 50Ah

Stackable:
Additive Input & Output
Up to 8 units in 120/240V
Up to 9 units in 3-phase



13kW DC Coupling
150V-425V @ 20A per MPPT

4ms UPS
No-Glitch Transfer

Smart Load
Prioritize Necessities & Run Luxuries With Less

Gen Breaker
Up to 12kW Generator Input

AC Coupling
9.6kW Output

Grid or Generator
63A Passthrough

Off-Grid Loads
9kW Continuous
16kW Peak



12K™



Install Simplicity

Unlike many hybrid inverters, our system is an all-in-one unit. You don't have to piece together multiple parts to get basic functions. Ours does it all, does it better, and does it with simplicity.

7 Day/Week Engineering & Customer Support

Sol-Ark beats all competition at customer support. We have engineers ready to assist with all questions, diagnosis, homeowner support, and remote unit management. We can solve virtually any problem without a site visit.

Highest Rating on Energy Sage

Nothing but positive reviews on EnergySage. We have a long track record of satisfied customers, as well as customers that have switched from other big names to go with our products instead.

| Feature Comparison | Sol-Ark 12K | Tesla Powerwall 2 | Generac PWRCell | Solar Edge/LG Energy Hub | Enphase Encharge 10 |
|---------------------------------|--|---|---|---|---|
| Install Simplicity | All-In-One Hybrid, Solar Batt Calculator, Some Load Mgmt | Entire Home Transfer Switch, No Load Mgmt | Entire Home Transfer Sitch, All-In-One Hybrid, Some Load Mgmt | Entire Home Transfer Switch, No Load Mgmt | Entire Home Transfer Switch, No Load Mgmt |
| 7 day single line support | Yes | No | Yes | No | Yes |
| Peak Current (Off Grid) | 63A | 30A | 50A | 30A | 24.6A |
| Continuous Power (On Grid) | 9kW | 5kW | 7.6kW | 5kW | 3.84kW |
| Usable Battery Energy | 20kWh | 13.5kWh | 18kWh | 9.3kWh | 10.5kWh |
| Battery Life Span | 15 Years (LFP) | 10 Years (NMC Active Cooling) | 10 Years (NMC Active Cooling) | 7 Years (NMC Passive Cooling) | 15 Years (LFP) |
| PV to Batt to AC Efficiency | 93% | 87% | 85% | 82% | 87% |
| Charging Batt from Gen | Yes | No | No | No | No |
| Fleet Mgmt Tool w/ Remote Setup | Yes | No | Yes | Yes | Yes |



Phone: 972-575-8875

Email:

Tech Questions: support@sol-ark.com
Sales Questions: sales@sol-ark.com

Address: 5833 Curtis Rd #200, Parker, TX 75002